



US00D780481S

(12) **United States Design Patent**  
**Clymer et al.**

(10) **Patent No.:** **US D780,481 S**  
(45) **Date of Patent:** **\*\* Mar. 7, 2017**

- (54) **ROLLER SHADE**
- (71) Applicant: **Lutron Electronics Co., Inc.**,  
Coopersburg, PA (US)
- (72) Inventors: **Erica L. Clymer**, Northampton, PA  
(US); **Laura Marie Gabriel**,  
Harleysville, PA (US); **David A. Kirby**,  
Zionsville, PA (US); **Justin J. Mierta**,  
Allentown, PA (US)
- (73) Assignee: **LUTRON ELECTRONICS CO.,**  
**INC.**, Coopersburg, PA (US)

4,096,904 A \* 6/1978 Donofrio ..... E06B 9/90  
160/299  
4,249,714 A \* 2/1981 Boyle ..... E06B 9/50  
248/254  
D319,836 S \* 9/1991 Clouse ..... 84/329  
(Continued)

- (\*\*) Term: **15 Years**
- (21) Appl. No.: **29/545,762**
- (22) Filed: **Nov. 16, 2015**

**Related U.S. Application Data**

- (62) Division of application No. 29/452,356, filed on Apr.  
15, 2013, now Pat. No. Des. 747,896.
- (51) **LOC (10) Cl.** ..... **06-10**
- (52) **U.S. Cl.**  
USPC ..... **D6/580**
- (58) **Field of Classification Search**  
USPC ..... D6/575, 576, 577, 578, 579, 580, 581;  
D8/349, 352, 353, 368, 369, 376  
CPC ..... E06B 3/30; E06B 9/00; E06B 9/02; E06B  
9/24; E06B 9/262; A47H 1/00; A47H  
1/02; A47H 21/00; A47H 23/00; A47H  
23/02; A47H 23/04; A47H 2001/0205;  
A47H 2023/025  
See application file for complete search history.

(56) **References Cited**

**U.S. PATENT DOCUMENTS**

- 1,509,644 A \* 9/1924 Forse, Jr. .... E06B 9/50  
160/122
- 1,571,760 A \* 2/1926 Dick ..... A47H 1/13  
160/108

**OTHER PUBLICATIONS**

Lutron Electronics Co., Inc. Serena Shades Specifications "Lutron Roller Shades", pp. 5 and 7, last revision date Nov. 18, 2013, (online). Retrieved from Internet Jun. 8, 2016, URL: <http://www.lutron.com/en-US/Products/Pages/ShadingSystems/SerenaShades/Overview.aspx> (8 pages).\*

(Continued)

*Primary Examiner* — Karen S Acker  
*Assistant Examiner* — Wendy Arminio  
(74) *Attorney, Agent, or Firm* — Condo Roccia Koptiw  
LLP

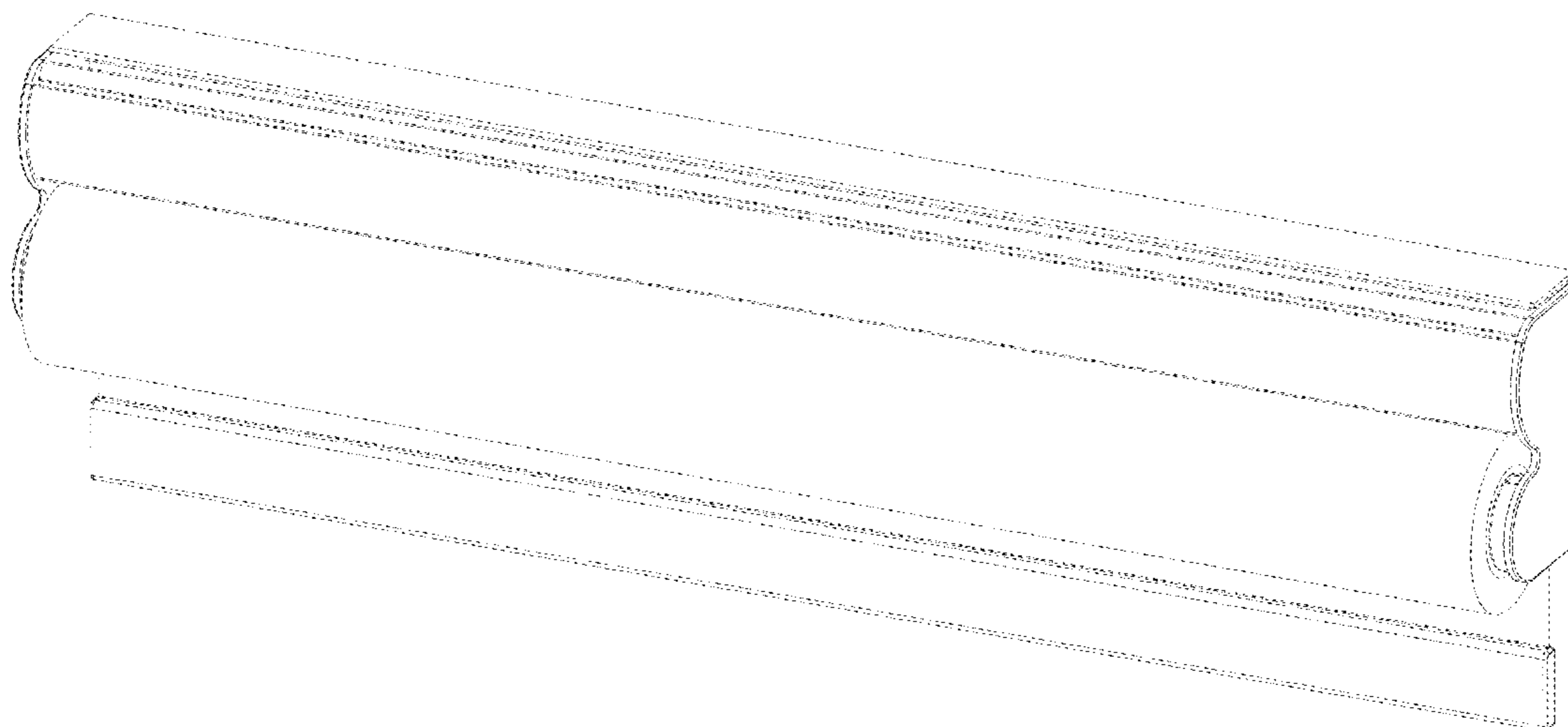
(57) **CLAIM**

We claim the ornamental design for a roller shade, as shown and described.

**DESCRIPTION**

FIG. 1 is a perspective view of a roller shade according to our new design.  
FIG. 2 is a front view thereof.  
FIG. 3 is a left side view thereof.  
FIG. 4 is a right side view thereof.  
FIG. 5 is a top view thereof; and,  
FIG. 6 is a bottom view thereof.  
The portions of the drawings appearing in broken lines depict environmental subject matter that does not form a part of the claimed design.

**1 Claim, 4 Drawing Sheets**



(56)

**References Cited**

U.S. PATENT DOCUMENTS

6,941,996	B2 *	9/2005	Ward	.....	E06B 9/32 160/108
7,051,782	B2	5/2006	Nichols, Jr. et al.		
7,163,044	B2	1/2007	Kirby		
D557,115	S *	12/2007	Zakowski	.....	D8/354
D557,116	S *	12/2007	Zakowski	.....	D8/354
D588,441	S *	3/2009	Clarke	.....	D8/354
D595,122	S *	6/2009	Clarke	.....	D8/368
7,802,609	B2	9/2010	Kirby		
D632,118	S *	2/2011	Clarke	.....	D6/580
8,267,144	B2 *	9/2012	Hsu	.....	E06B 9/262 160/264
D680,357	S *	4/2013	Wills	.....	D6/580
D706,543	S *	6/2014	Stein	.....	D20/43
D735,632	S *	8/2015	Beidler	.....	D12/223
D740,589	S *	10/2015	Ng	.....	D6/580
D753,933	S *	4/2016	Ng	.....	D6/580
2009/0223641	A1 *	9/2009	Cheng	.....	E06B 9/42 160/318
2009/0283226	A1 *	11/2009	Cheng	.....	E06B 9/60 160/313
2010/0038042	A1 *	2/2010	Criss	.....	E06B 9/40 160/313

2010/0219306	A1	9/2010	Detmer et al.		
2010/0294438	A1	11/2010	Kirby et al.		
2012/0090795	A1	4/2012	Kirby		
2012/0261078	A1 *	10/2012	Adams	.....	E06B 9/32 160/6
2013/0037225	A1 *	2/2013	Huang	.....	E06B 9/60 160/313
2013/0068904	A1 *	3/2013	Wills	.....	E06B 9/50 248/207
2014/0305602	A1 *	10/2014	Kirby	.....	E06B 9/42 160/310
2016/0123076	A1 *	5/2016	Kirby	.....	E06B 9/72 160/10
2016/0130863	A1 *	5/2016	Cheng	.....	E06B 9/24 160/179

OTHER PUBLICATIONS

“Lutron Roller 64, Dual Mount Chassis: Installation Guide,” Lutron Electronics Co., Inc., Dec. 2012, 2 pages.

“Lutron Roller 100, Dual Mount Chassis: Installation Guide,” Lutron Electronics Co., Inc., Dec. 2012, 2 pages.

\* cited by examiner



FIG. 1

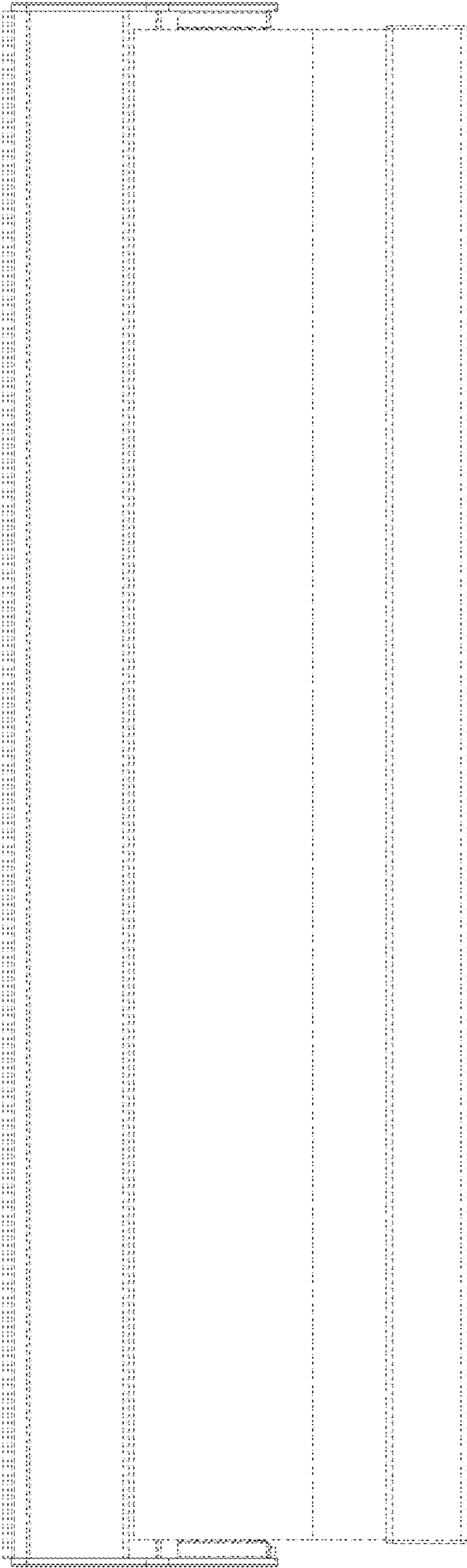


FIG. 2

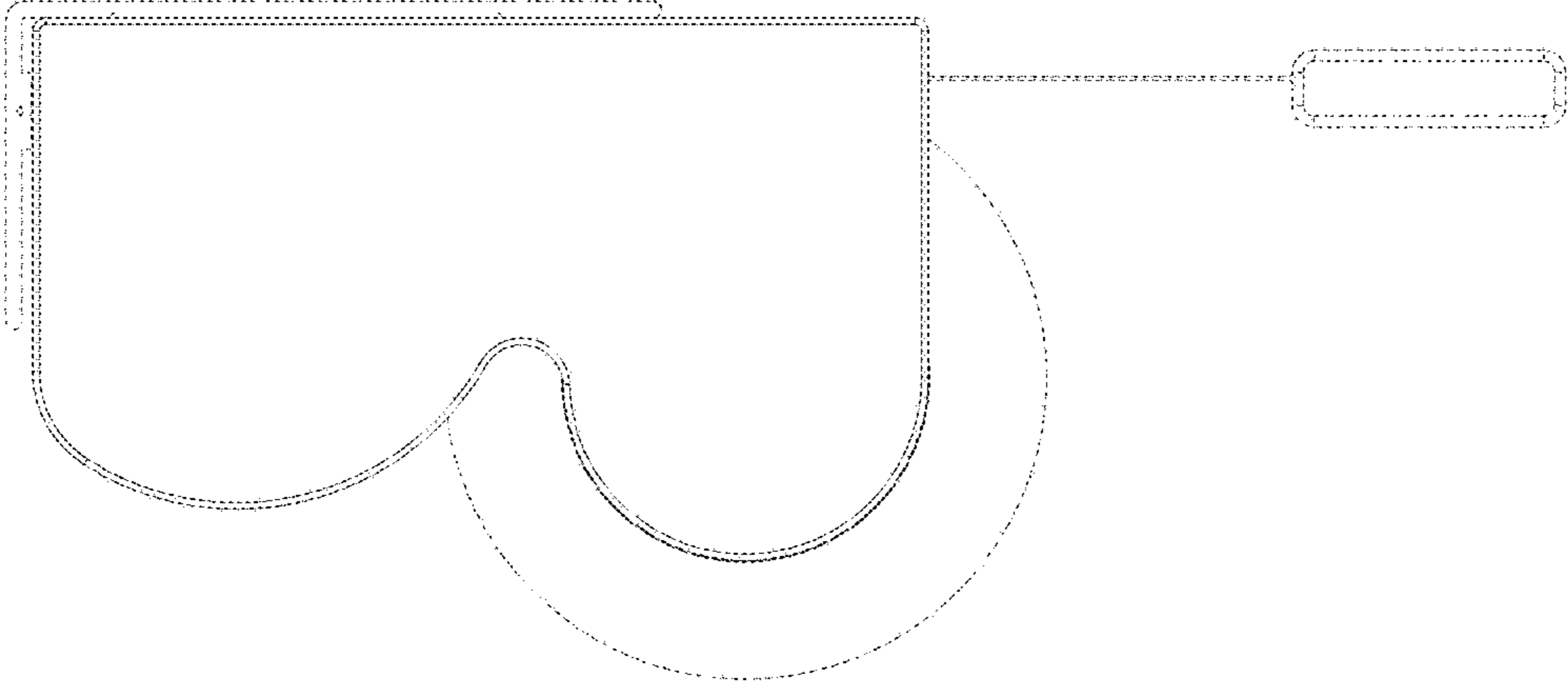


FIG. 4

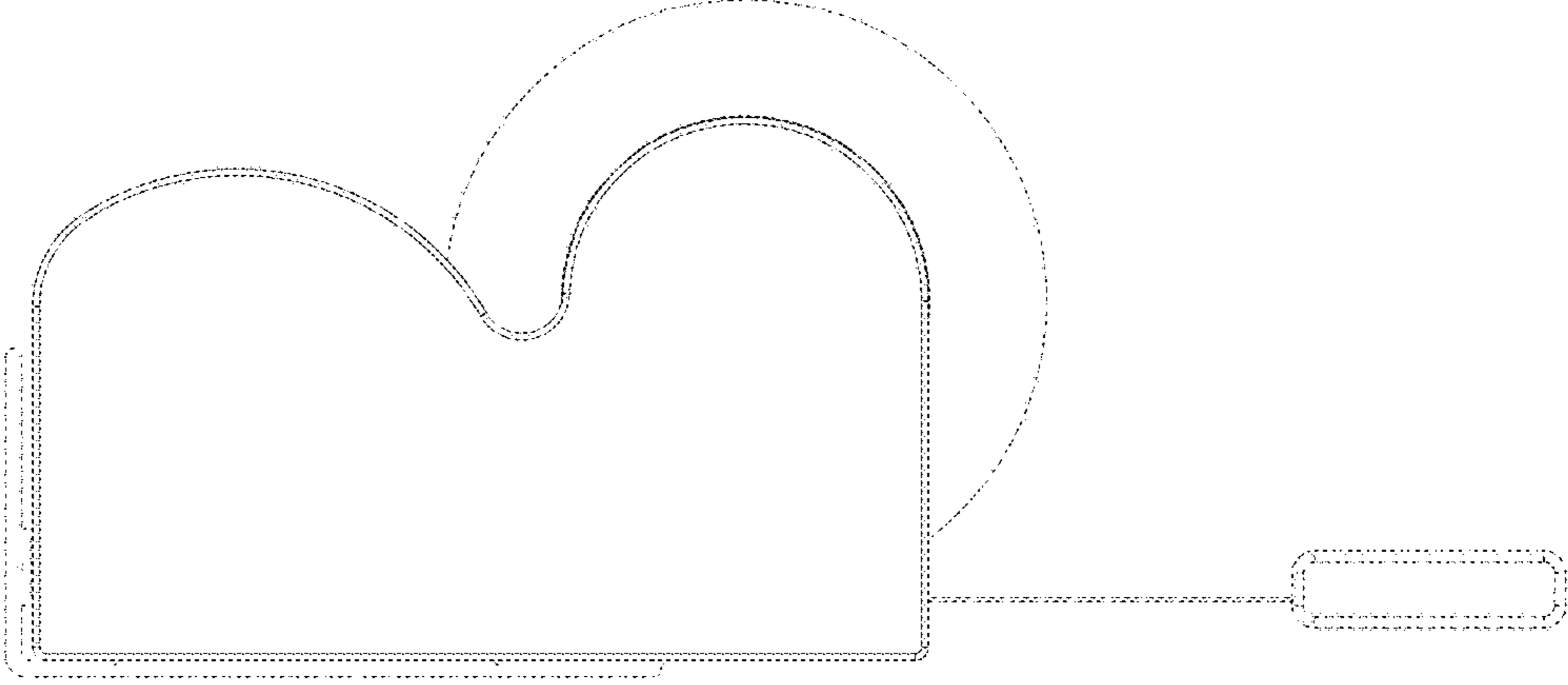


FIG. 3

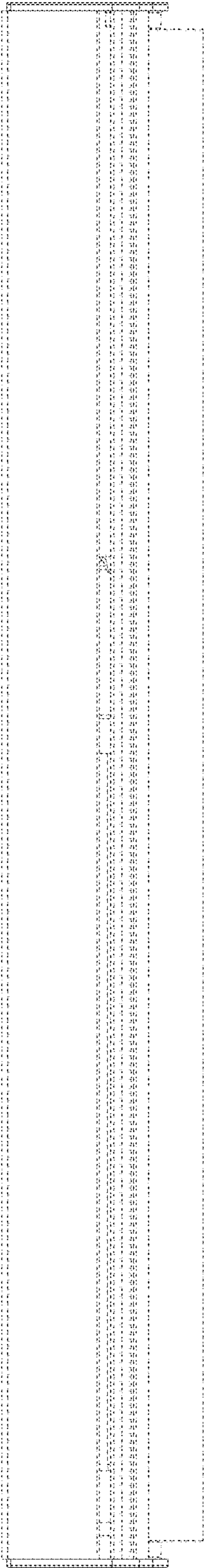


FIG. 5

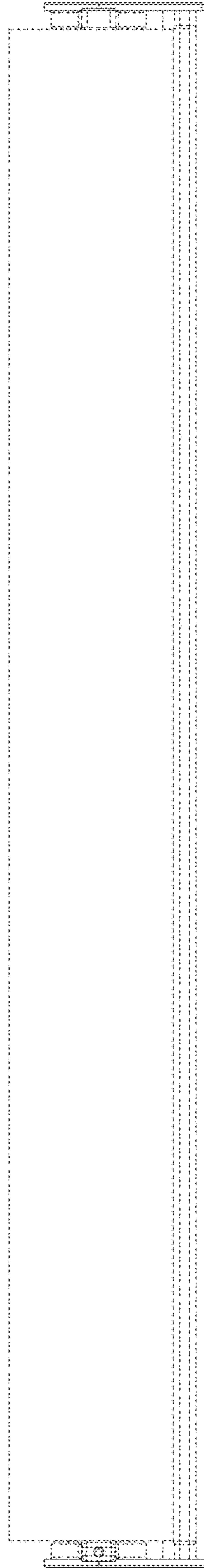


FIG. 6