



US00D780478S

(12) **United States Design Patent**
Gereghy

(10) **Patent No.:** **US D780,478 S**

(45) **Date of Patent:** **** Mar. 7, 2017**

(54) **ADJUSTABLE WALL-MOUNTED DESK SYSTEM**

(71) Applicant: **Matthew Gereghy**, Toronto (CA)

(72) Inventor: **Matthew Gereghy**, Toronto (CA)

(**) Term: **15 Years**

(21) Appl. No.: **29/529,418**

(22) Filed: **Jun. 6, 2015**

(51) **LOC (10) Cl.** **06-03**

(52) **U.S. Cl.**
USPC **D6/555**

(58) **Field of Classification Search**

USPC D6/555, 691.9, 656; 52/36.1, 236.4,
52/238.1, 241; 108/38, 152, 157.13;
312/245, 194-196, 314

CPC A47B 9/12; A47B 9/02; A47B 9/20; A47B
87/002; A47B 9/18; A47B 21/04; A47B
17/02

See application file for complete search history.

(56) **References Cited**

U.S. PATENT DOCUMENTS

D235,951 S *	7/1975	Castillo	D6/555
D257,092 S *	9/1980	Berman	D6/555
D526,167 S *	8/2006	Chen	D6/553
D588,880 S *	3/2009	Chou	D7/701
D760,560 S *	7/2016	Chosovich	D7/701
2004/0050810 A1 *	3/2004	Shai	B65D 35/28 211/87.01
2015/0096950 A1 *	4/2015	Engel	A47B 46/00 211/90.02
2016/0037907 A1 *	2/2016	Ergun	A47B 9/12 108/147

OTHER PUBLICATIONS

Erin Carstens, Wall-Mounted Standing Desk, retrieved on Aug. 3, 2016, DudeIWantThat, URL: <http://www.dudeiwantthat.com/household/furniture/wall-mounted-standing-desk.asp>, 3 pages.*

* cited by examiner

Primary Examiner — Wan Laymon
Assistant Examiner — Mark Booker

(57) **CLAIM**

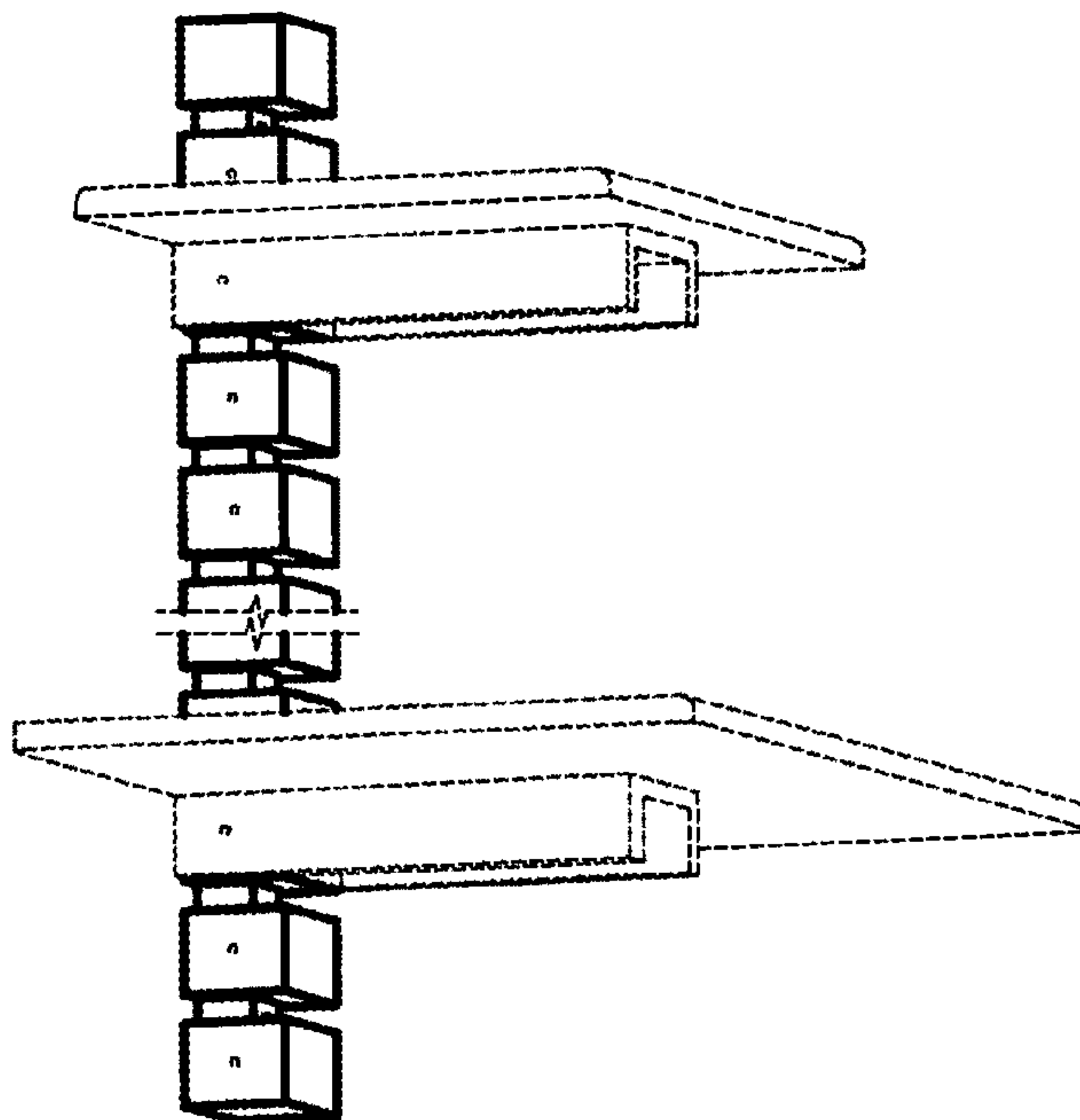
The ornamental design for an adjustable wall-mounted desk system, as shown and described.

DESCRIPTION

FIG. 1 is a perspective view;
FIG. 2 is a second perspective view, shown in an alternate configuration;
FIG. 3 is a front view thereof;
FIG. 4 is a right side view thereof (mirror image of left side view);
FIG. 5 is a rear view thereof;
FIG. 6 is a top view thereof; and,
FIG. 7 is a bottom view thereof.

The broken lines shown in the figures represent portions of the adjustable wall-mounted desk system that form no part of the claimed design. The adjustable wall-mounted desk system is shown with a symbolic break in its length. The appearance of any portion of the article between break lines forms no part of the claimed design.

1 Claim, 3 Drawing Sheets



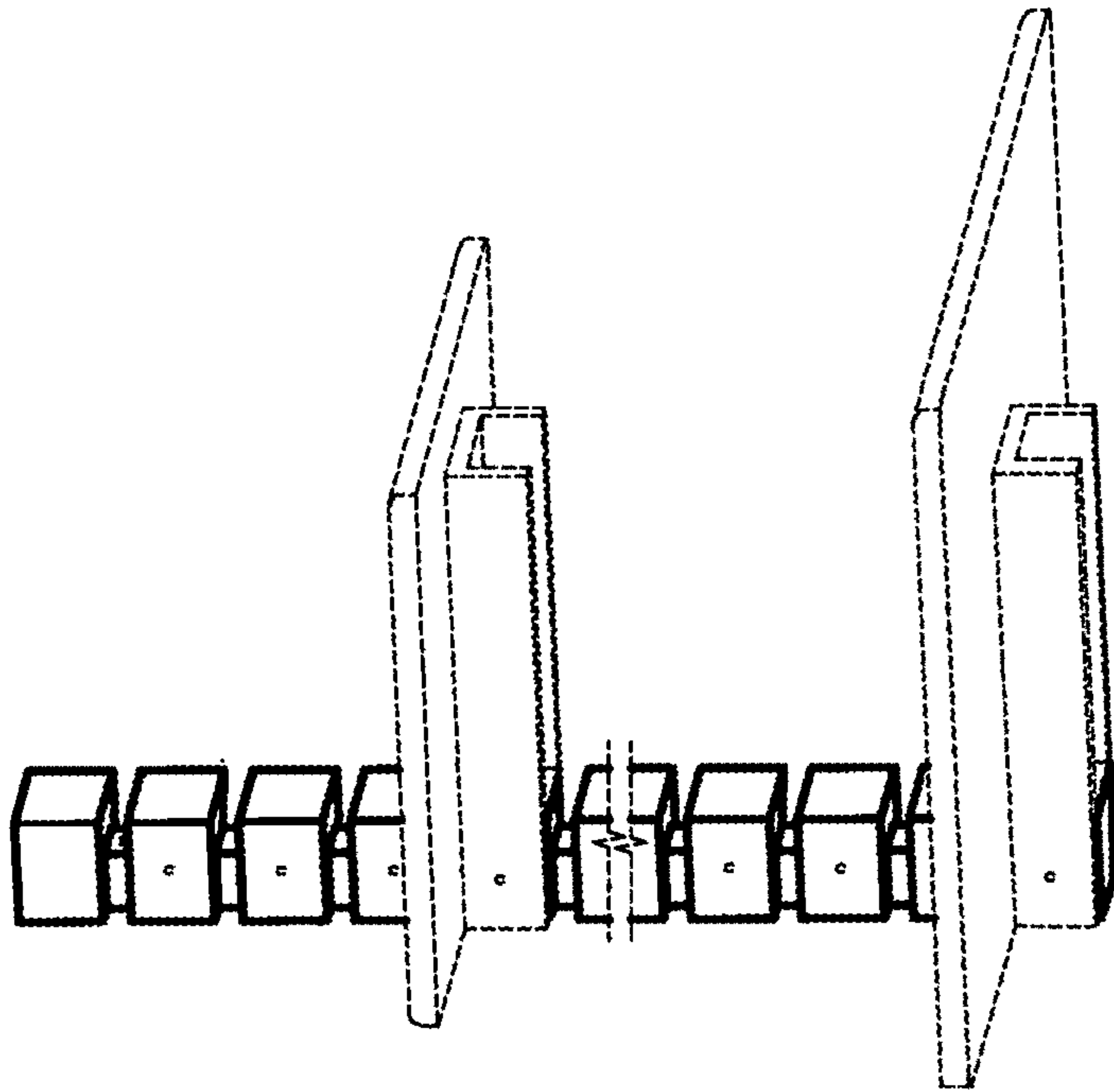


FIG. 2

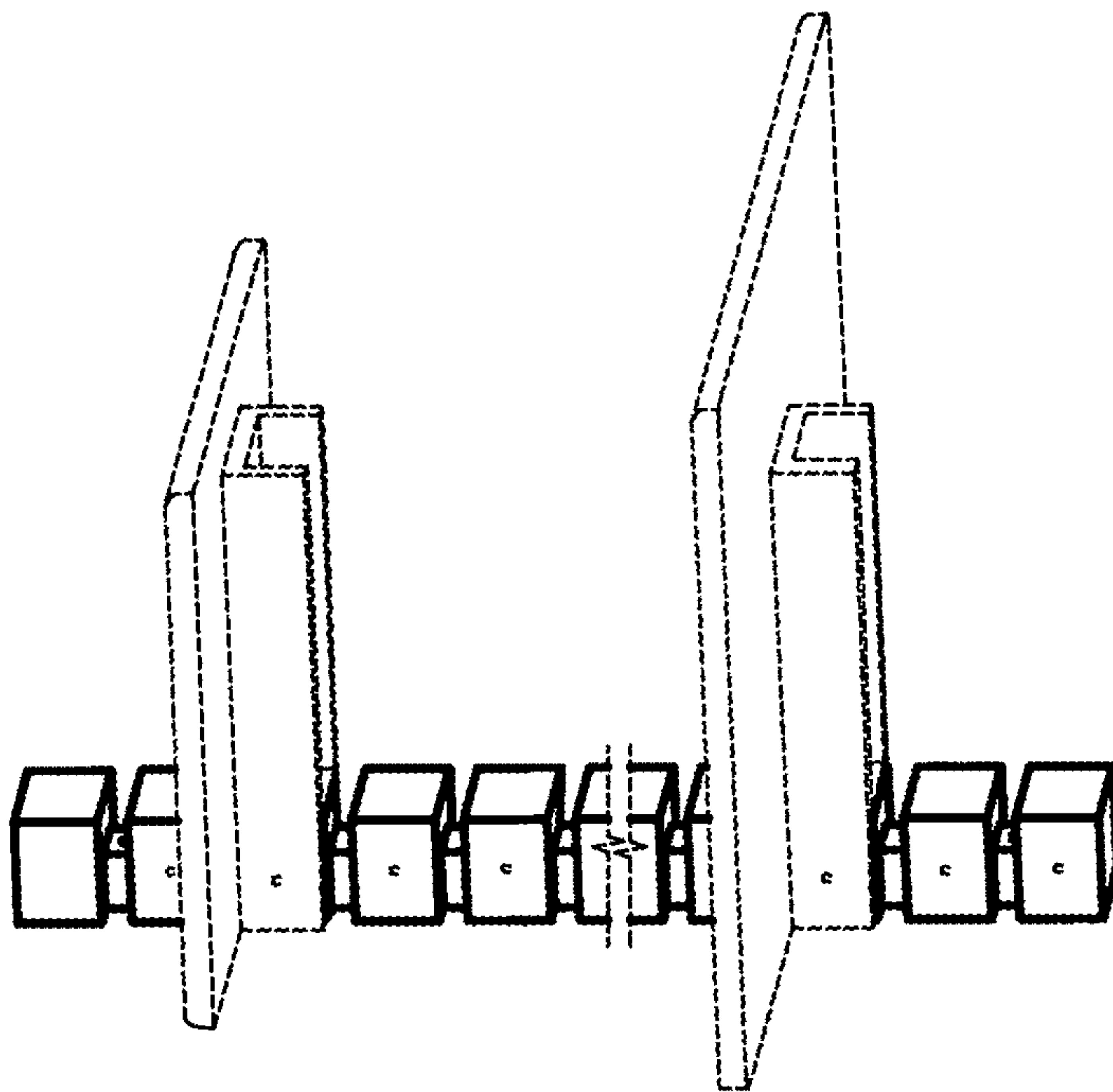


FIG. 1

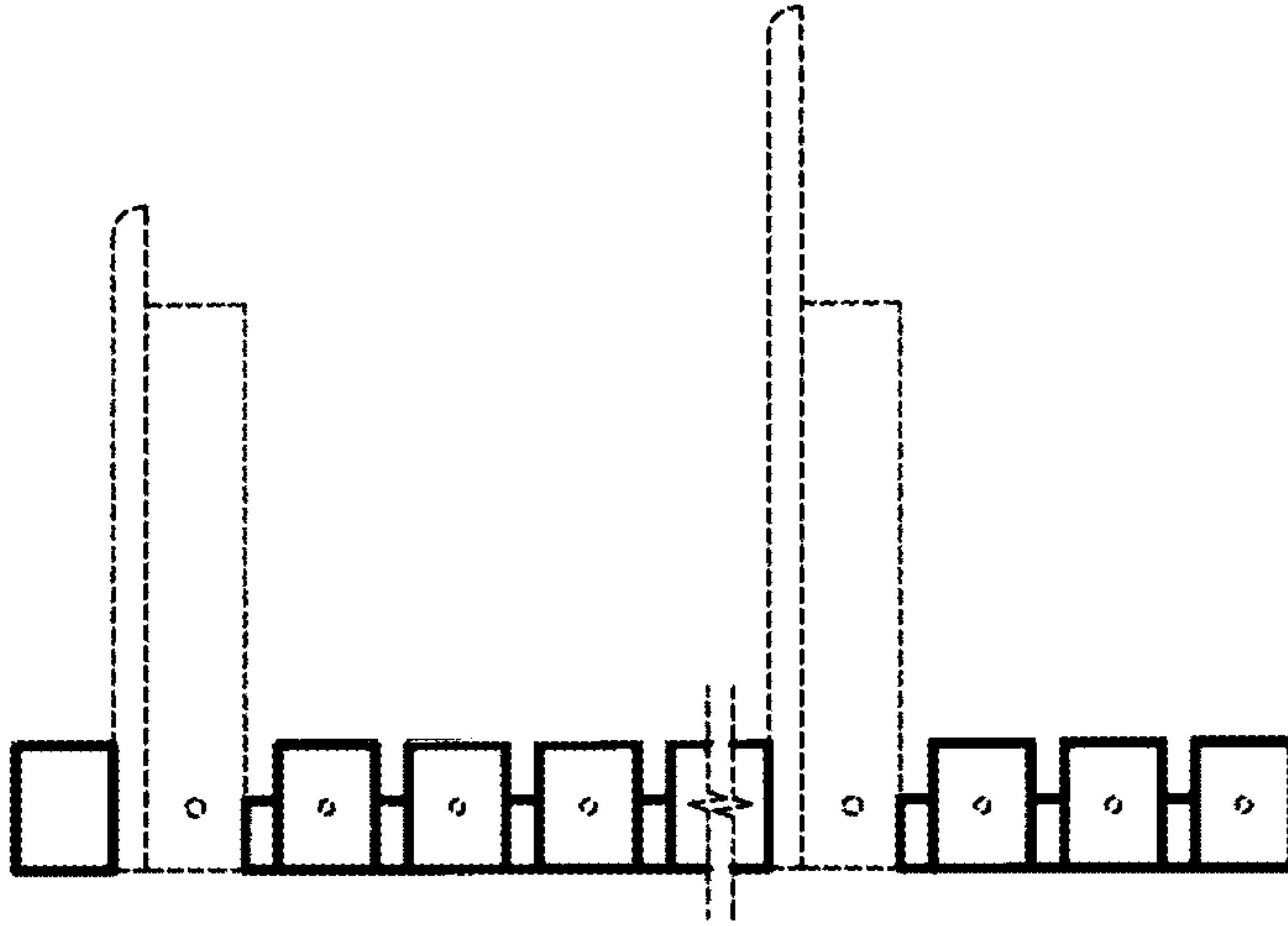


FIG. 4

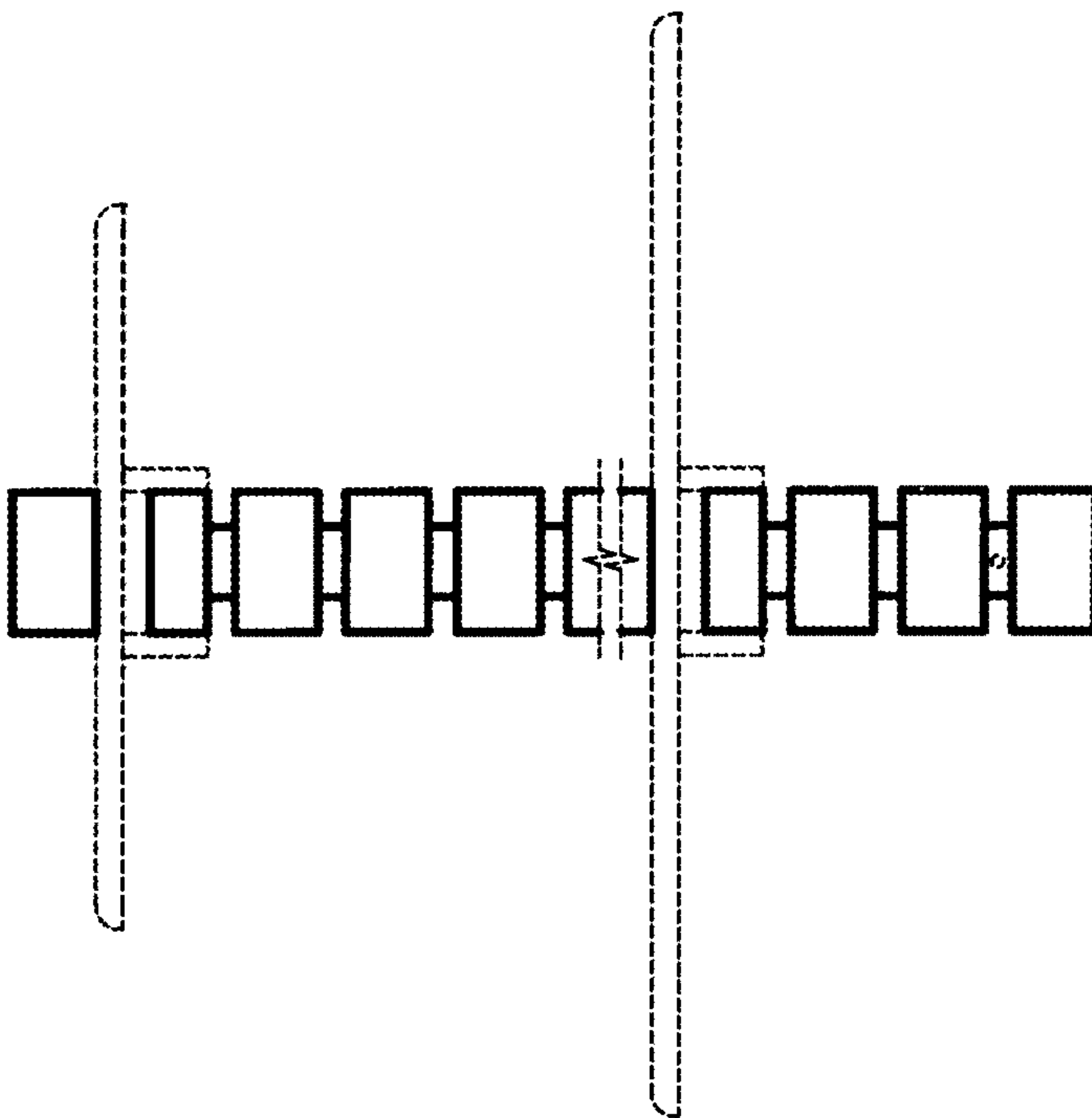


FIG. 3

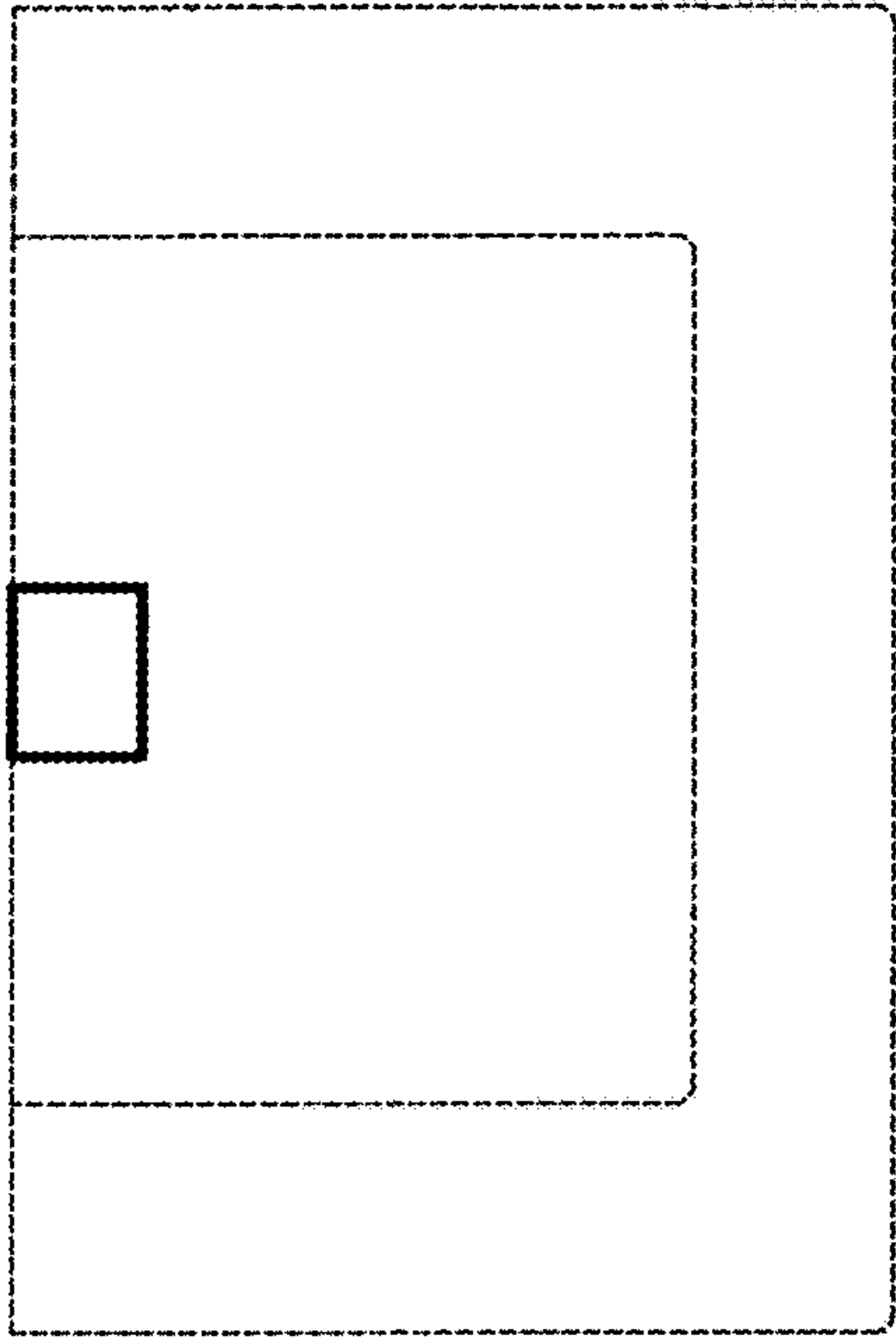


FIG. 6

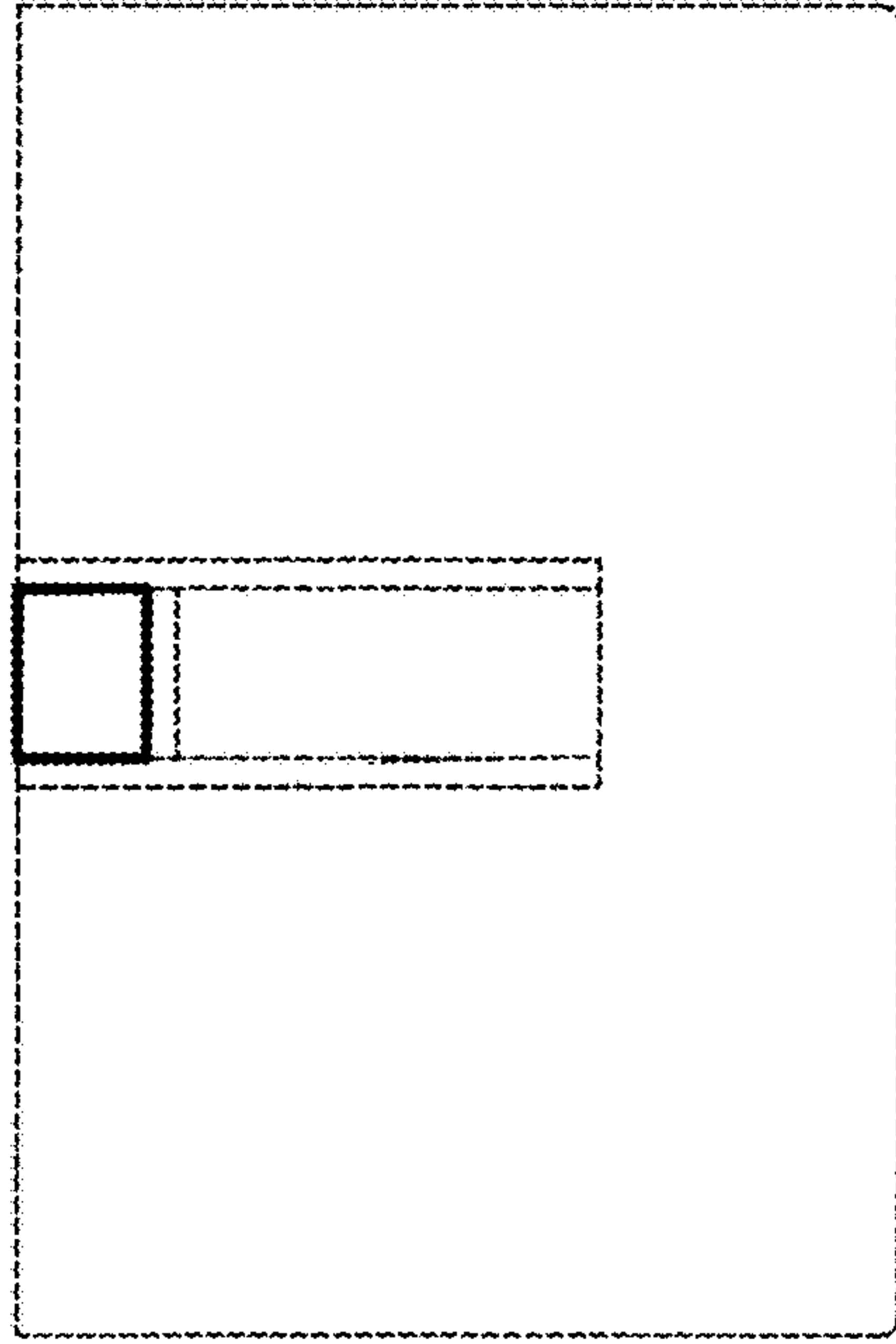


FIG. 7

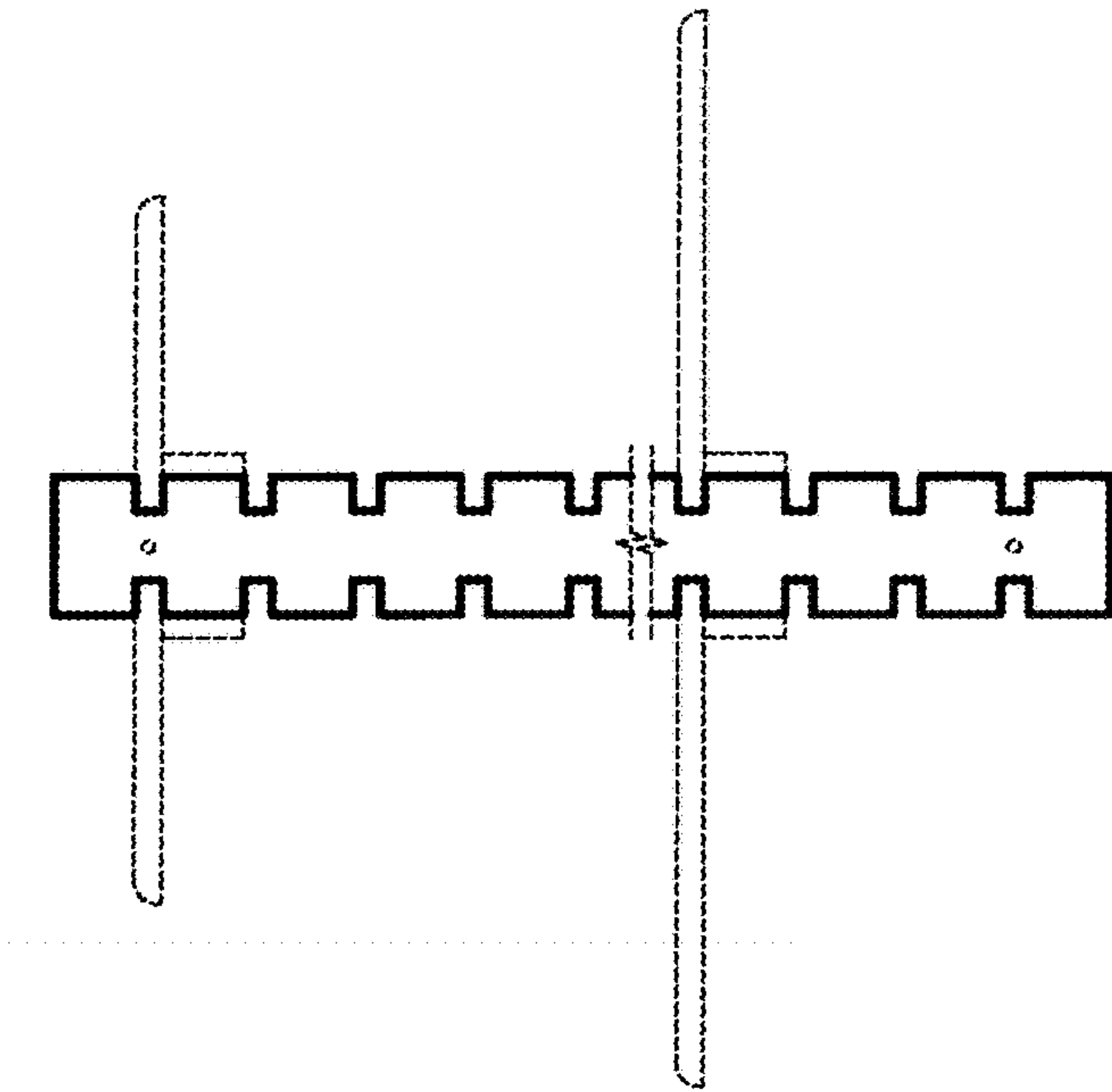


FIG. 5