



US00D780477S

(12) **United States Design Patent** (10) **Patent No.:** **US D780,477 S**
Aulwes et al. (45) **Date of Patent:** **** Mar. 7, 2017**

(54) HOT LATHER MACHINE	D530,954 S * 10/2006 Snell D6/542
	D537,360 S * 2/2007 Snell D6/542
(71) Applicant: WAHL CLIPPER CORPORATION, Sterling, IL (US)	D537,361 S 2/2007 Dretzka
	D538,092 S * 3/2007 Snell D6/542
	D538,177 S 3/2007 Dretzka
(72) Inventors: Chad Aulwes, Sterling, IL (US); Lance Wahl, Naperville, IL (US); Shanming Deng, Dong Guan (CN)	D551,087 S * 9/2007 Snell D6/542
	D554,410 S * 11/2007 Snell D6/542
	D578,814 S 10/2008 Dretzka
	D581,193 S * 11/2008 Ghiorghie D6/542
	D595,522 S 7/2009 Snell
(73) Assignee: WAHL CLIPPER CORPORATION, Sterling, IL (US)	D599,597 S 9/2009 Dretzka
	D599,598 S 9/2009 Ghiorghie
	D599,599 S * 9/2009 Ghiorghie D6/542
	D619,397 S 7/2010 Snell
(**) Term: 15 Years	D644,051 S 8/2011 Kraemer
	D644,052 S 8/2011 Kraemer
(21) Appl. No.: 29/574,232	D644,469 S 9/2011 Kraemer
	D661,148 S * 6/2012 Yang D6/542
(22) Filed: Aug. 12, 2016	D721,279 S * 1/2015 Van Handel D9/520

(Continued)

Related U.S. Application Data

(62) Division of application No. 29/496,182, filed on Jul. 10, 2014.

(51) **LOC (10) Cl.** **23-02**

(52) **U.S. Cl.**
USPC **D6/542**

(58) **Field of Classification Search**
USPC D6/542-545; D9/682, 686, 688-691,
D9/516, 549, 448, 435; 221/282; 222/14,
173, 222/146.3, 628, 251, 181.1, 181.3
CPC B01F 15/00506; B01F 3/0853; B01F
15/00538
See application file for complete search history.

Primary Examiner — David Muller

Assistant Examiner — Nathan Johnston

(74) *Attorney, Agent, or Firm* — Greer, Burns & Crain, Ltd.

(57) **CLAIM**

The ornamental design for the hot lather machine, as shown and described.

DESCRIPTION

FIG. 1 is a top perspective view of the present hot lather machine showing our new design;
 FIG. 2 is a front elevation view thereof;
 FIG. 3 is a left side elevation view thereof, right side elevation being mirror image;
 FIG. 4 is a rear elevation view thereof;
 FIG. 5 is a top plan view thereof; and,
 FIG. 6 is a bottom plan view thereof.

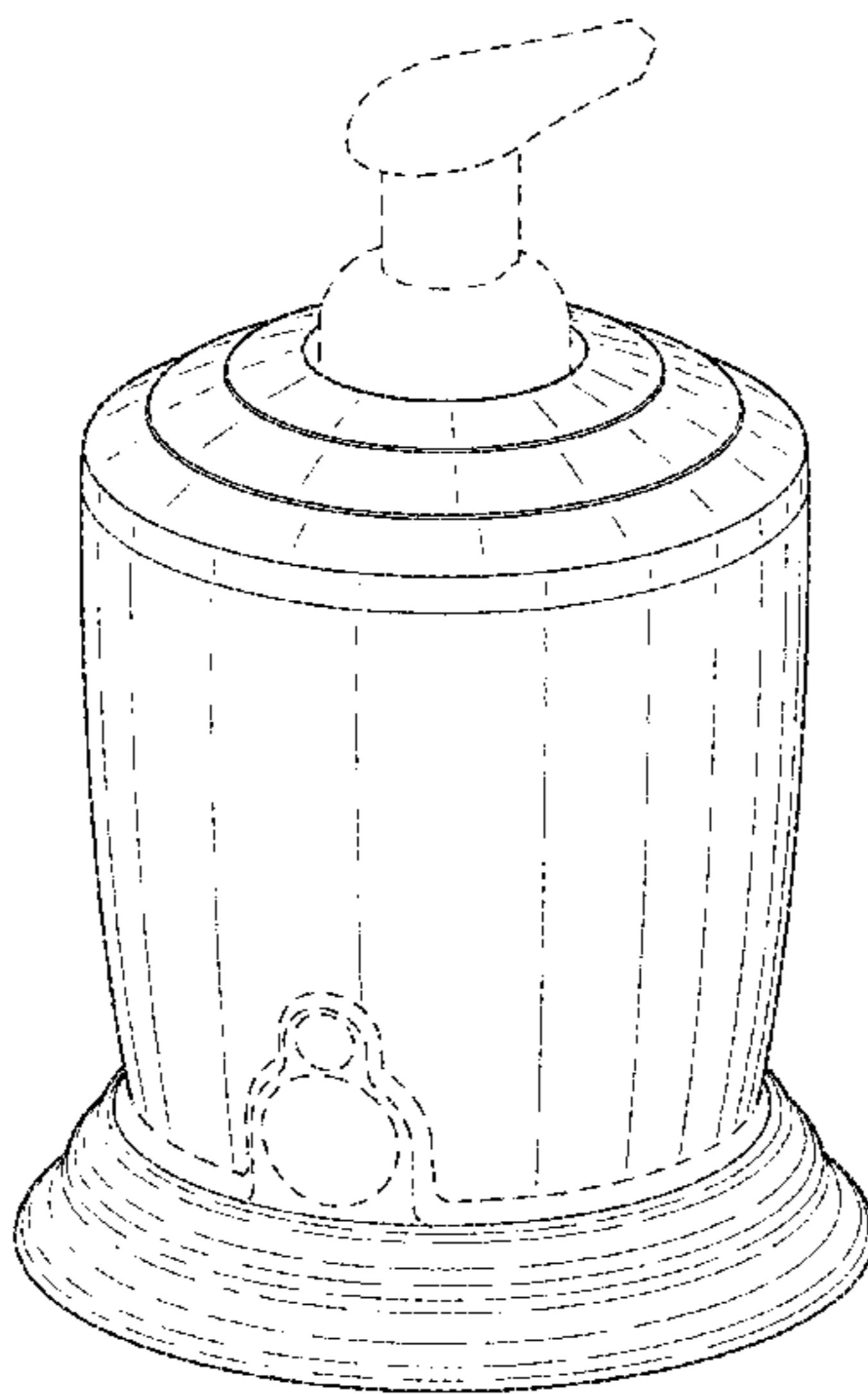
The structure shown in broken lines is for environment purposes only and does not form part of the claimed invention.

(56) **References Cited**

U.S. PATENT DOCUMENTS

2,955,191 A	10/1960	Galgano et al.	
D396,590 S *	8/1998	Warszawsky	D6/542
D406,482 S *	3/1999	Kerr	D6/542
D477,990 S	8/2003	Dretzka	
D484,401 S	12/2003	Dretzka	
D496,262 S *	9/2004	Dretzka	D6/542

1 Claim, 3 Drawing Sheets



(56)

References Cited

U.S. PATENT DOCUMENTS

D752,991 S * 4/2016 Ober D9/691

* cited by examiner

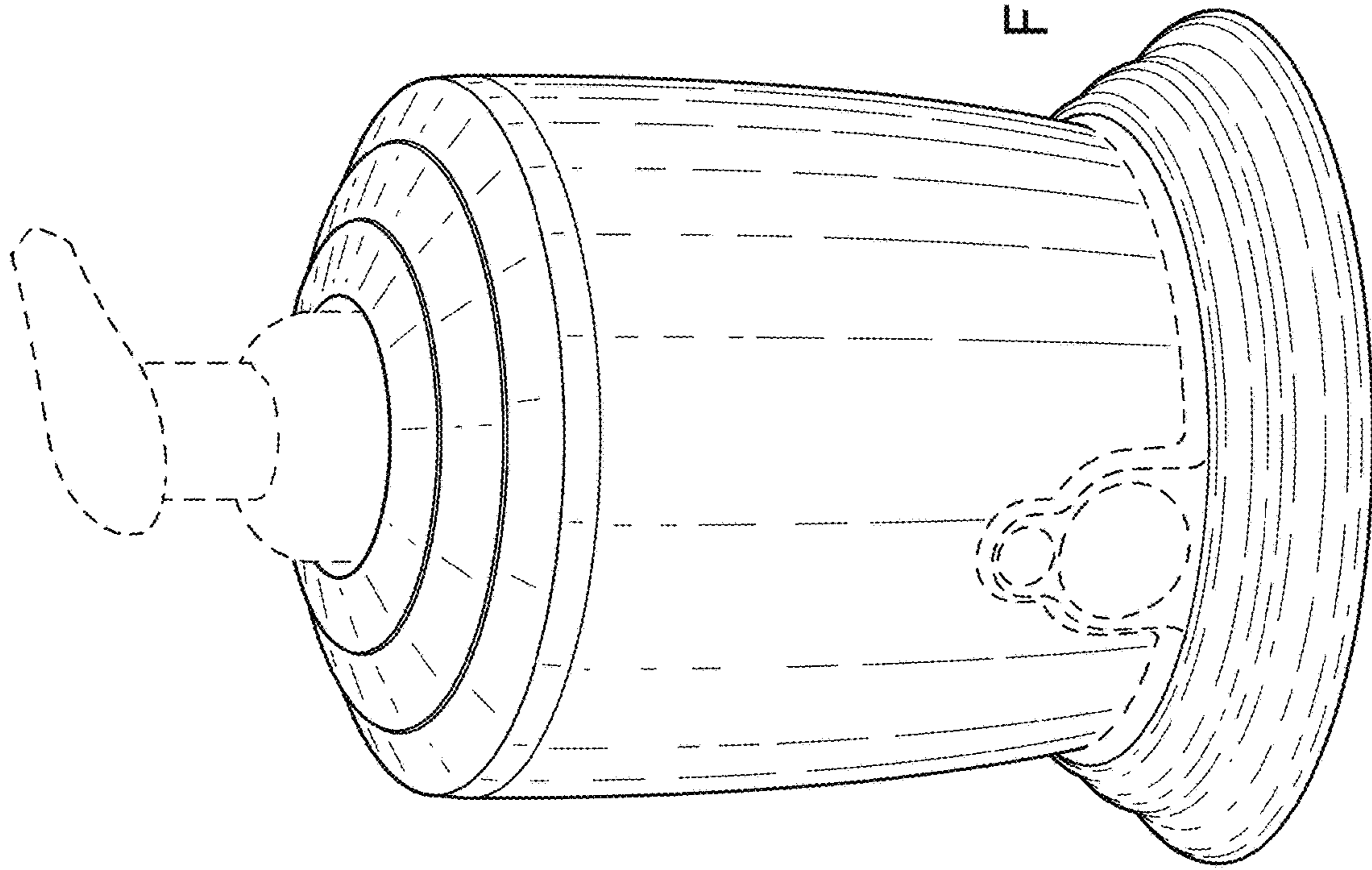


Fig. 1

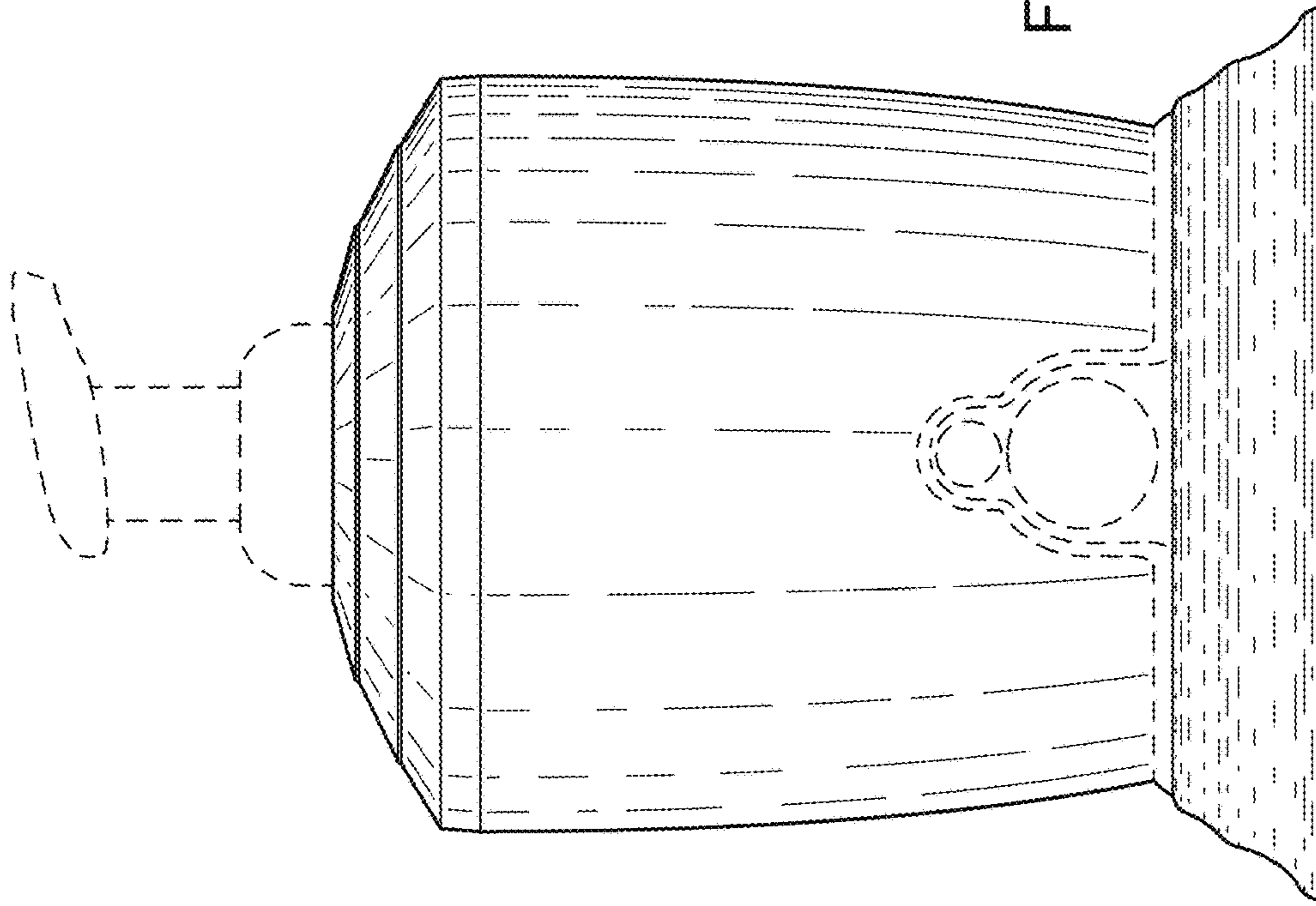


Fig. 2

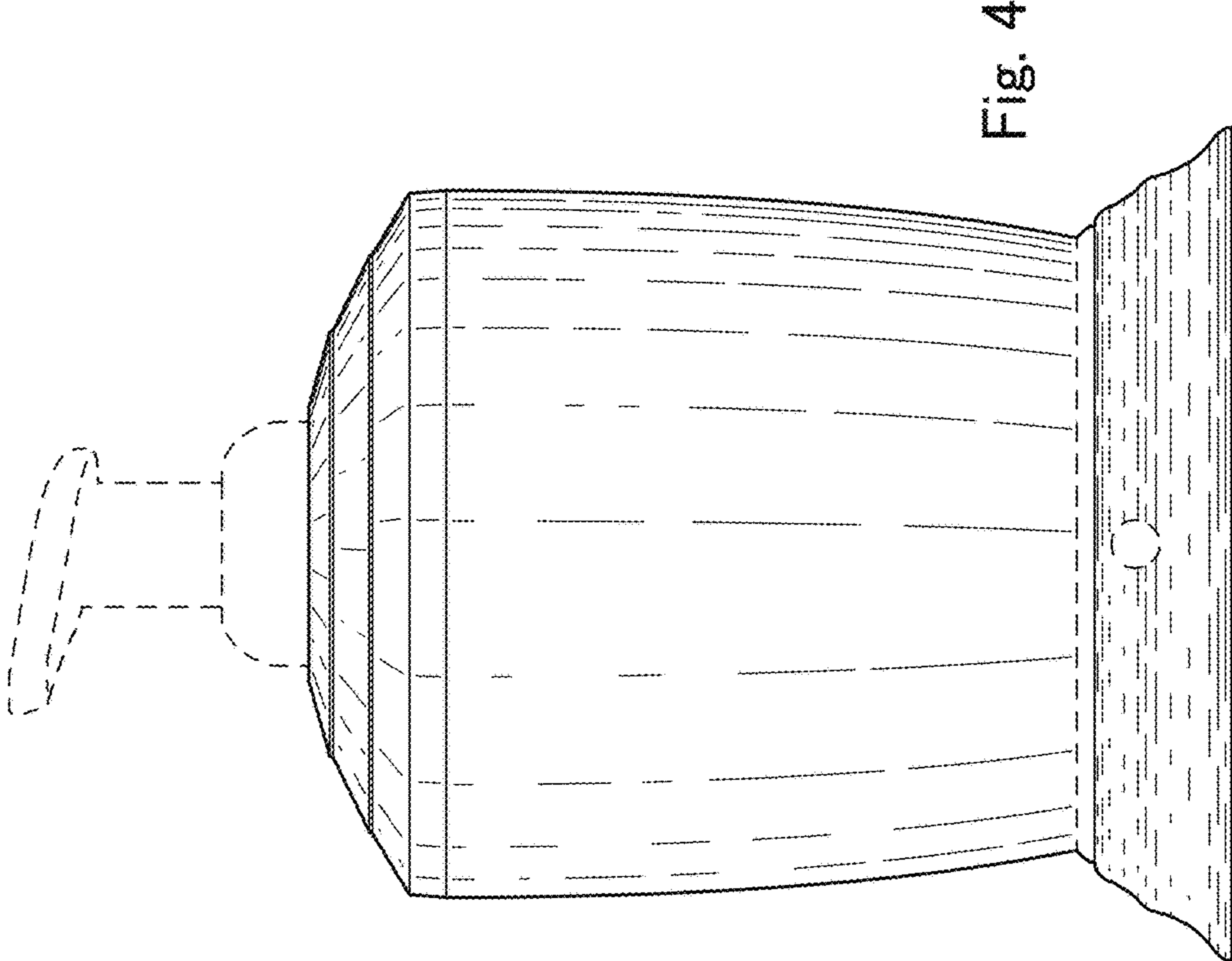


Fig. 4

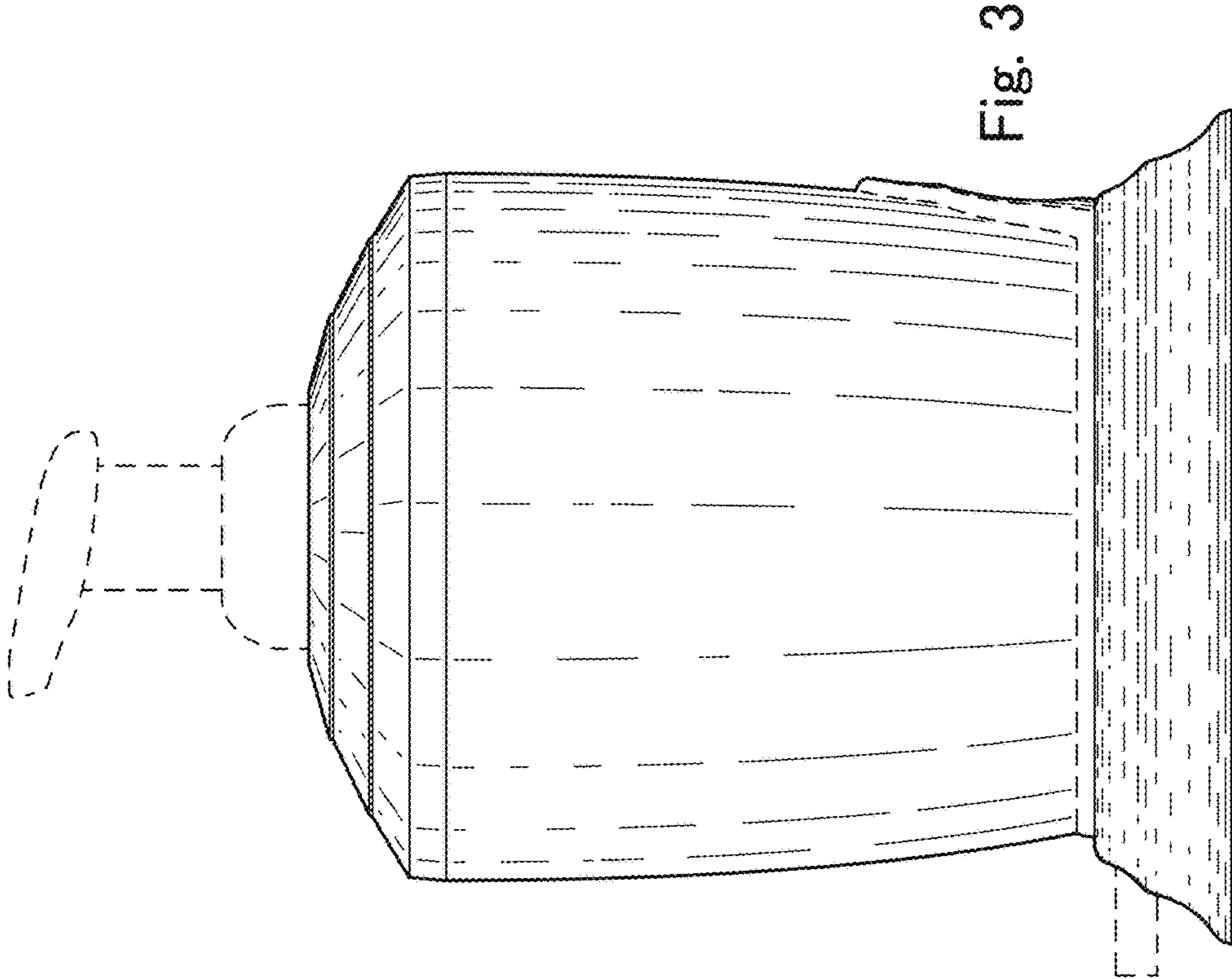


Fig. 3

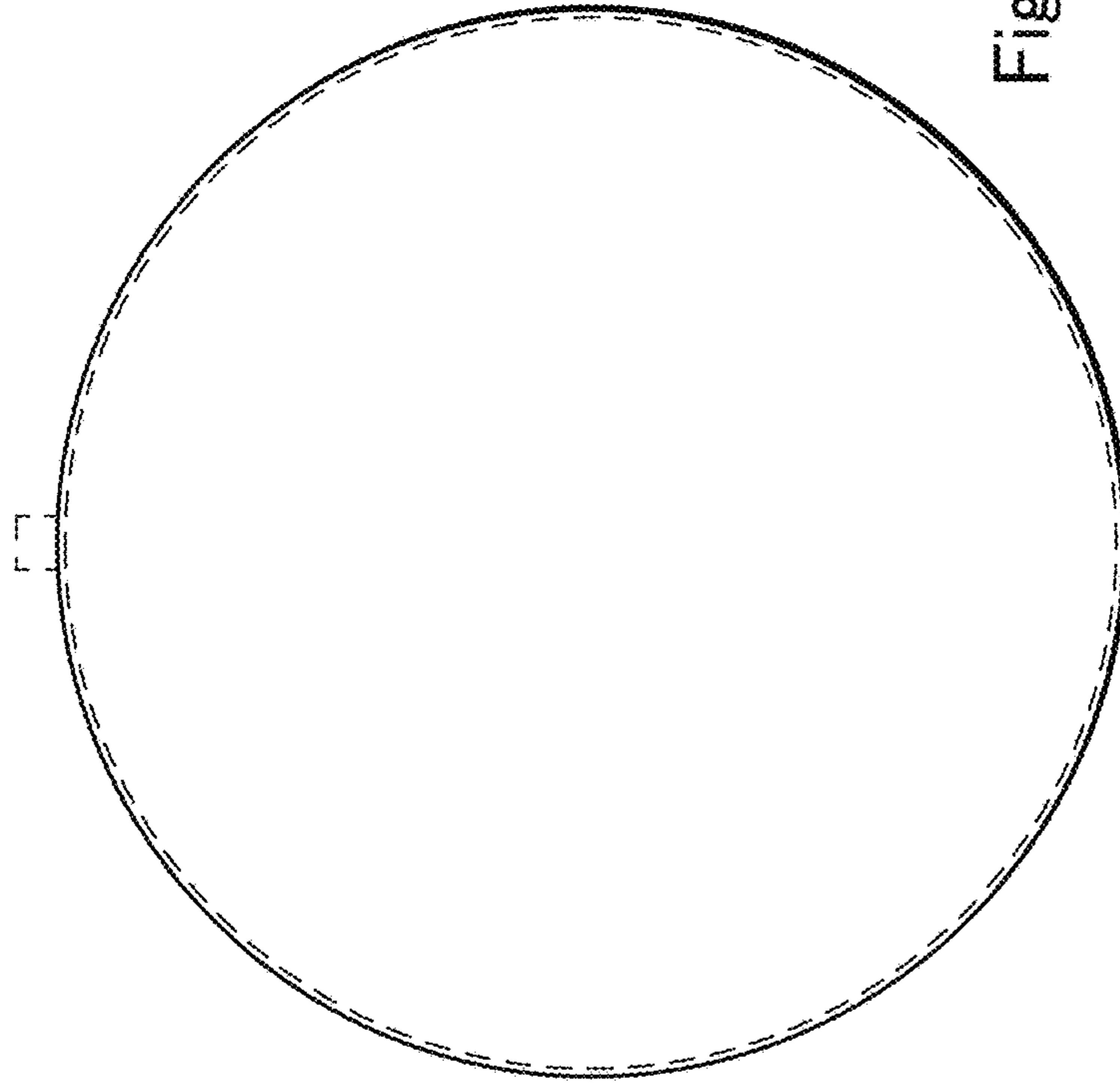


Fig. 6

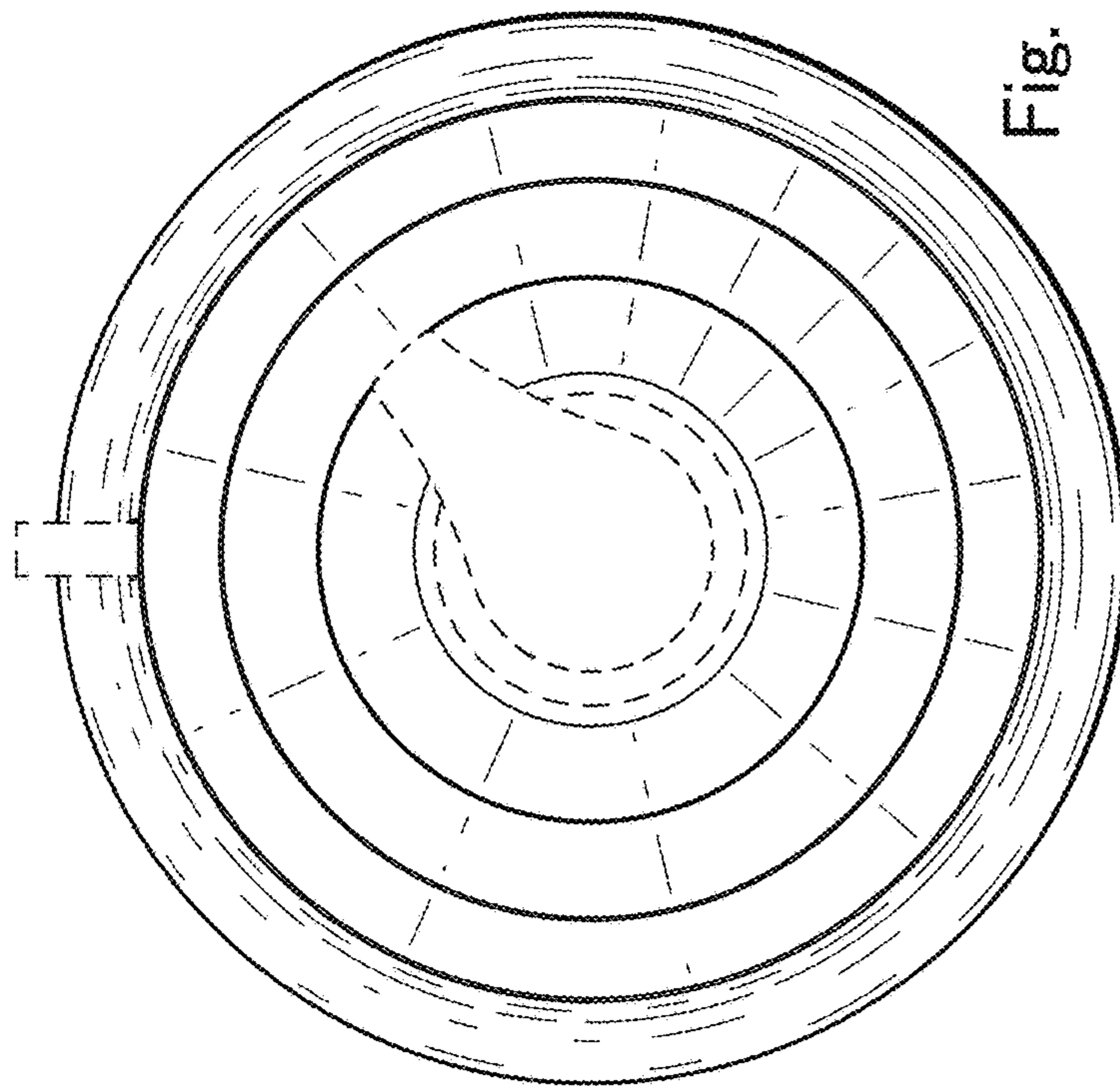


Fig. 5