



US00D780476S

(12) **United States Design Patent**  
**Panico**

(10) **Patent No.:** **US D780,476 S**

(45) **Date of Patent:** **\*\* Mar. 7, 2017**

- (54) **TOOTHBRUSH CADDY**
- (71) Applicant: **Louis R. Panico**, Jupiter, FL (US)
- (72) Inventor: **Louis R. Panico**, Jupiter, FL (US)
- (\*\*) Term: **15 Years**
- (21) Appl. No.: **29/560,055**
- (22) Filed: **Apr. 1, 2016**
- (51) **LOC (10) Cl.** ..... **23-02**
- (52) **U.S. Cl.**  
USPC ..... **D6/534**
- (58) **Field of Classification Search**  
USPC ..... D6/534, 524, 526, 527, 528; 206/208,  
206/228, 209, 209.1, 361, 632, 632.1,  
206/362.2, 362.3; 211/13.1, 66, 70.6,  
211/86.01, 87.01; D7/701, 635, 637  
CPC .. A61B 5/0002; G06F 19/322; G06F 19/3406;  
G06F 19/3418; G06F 19/3487  
See application file for complete search history.

- D654,775 S \* 2/2012 Higashi ..... D8/303
- D694,037 S \* 11/2013 Primeau ..... D6/514
- D695,039 S \* 12/2013 Gilboe ..... D6/534
- D704,949 S \* 5/2014 Rodriguez ..... D6/513
- 8,888,066 B2 \* 11/2014 Moore ..... B62L 3/023  
188/344
- D725,933 S \* 4/2015 Balogh ..... D6/513
- D727,097 S \* 4/2015 Sorensen ..... D7/505
- D728,964 S \* 5/2015 Concepcion ..... D6/534
- D761,036 S \* 7/2016 Goodman ..... D6/513
- D763,661 S \* 8/2016 Ezell ..... D8/349
- 2002/0145096 A1 \* 10/2002 Eubanks ..... A47G 23/0225  
248/311.2
- 2007/0295626 A1 \* 12/2007 Mowe ..... B65D 81/261  
206/361
- 2012/0241463 A1 \* 9/2012 Zimmerman ..... B65D 5/542  
221/1

\* cited by examiner

*Primary Examiner* — David Muller  
*Assistant Examiner* — Nathan Johnston

(57) **CLAIM**

The ornamental design for a toothbrush caddy, as shown and described.

(56) **References Cited**

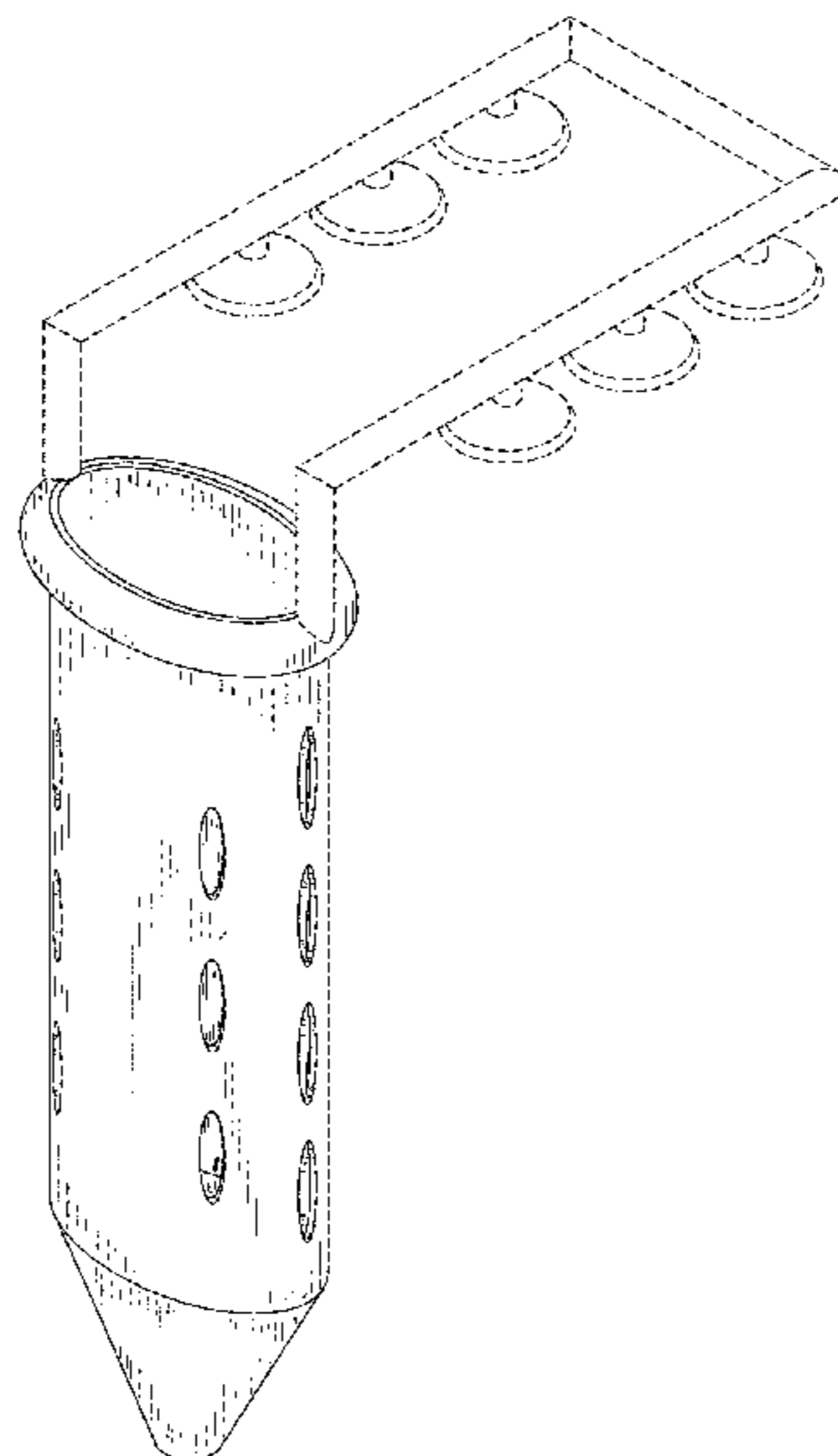
U.S. PATENT DOCUMENTS

- D149,400 S \* 4/1948 Biro ..... D9/521
- 3,986,695 A \* 10/1976 Hronas ..... A47F 7/285  
211/74
- D286,505 S \* 11/1986 Okada ..... D3/20
- D299,488 S \* 1/1989 Okada ..... D9/503
- 4,795,211 A \* 1/1989 Stern ..... A47C 7/62  
248/311.2
- 5,457,911 A \* 10/1995 Vollink ..... A47G 7/044  
248/225.21
- D375,256 S \* 11/1996 Chadfield ..... D28/7
- D381,897 S \* 8/1997 Matthiesen ..... D22/116
- D395,239 S \* 6/1998 Davis ..... D9/521
- D395,799 S \* 7/1998 Lowther ..... D19/170
- D448,996 S \* 10/2001 Nixon, III ..... D9/503
- D461,996 S \* 8/2002 Liao ..... D7/620
- D647,388 S \* 10/2011 Mercer ..... D8/363

**DESCRIPTION**

FIG. 1 is an isometric view of toothbrush caddy showing my new design;  
 FIG. 2 is a front elevation view thereof;  
 FIG. 3 is a rear elevation view thereof;  
 FIG. 4 is a left side elevation view thereof;  
 FIG. 5 is a right side elevation view thereof;  
 FIG. 6 is a top plan view thereof;  
 FIG. 7 is a bottom plan view thereof; and,  
 FIG. 8 is an isometric view thereof.  
 The broken line showing of parts of the drawings is included for the purpose of illustrating use and environment and forms no part of the claimed design.

**1 Claim, 8 Drawing Sheets**



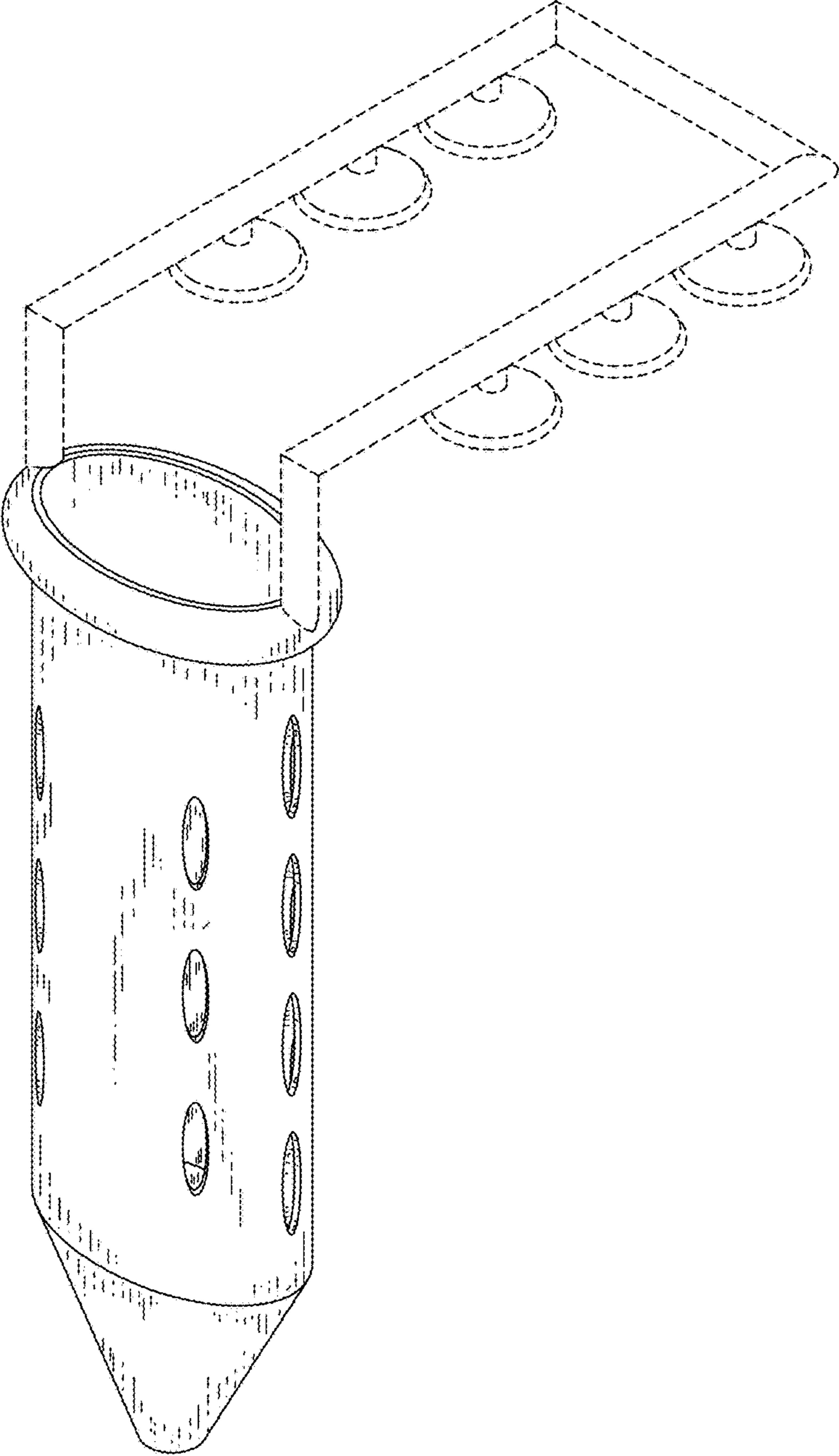


FIG. 1

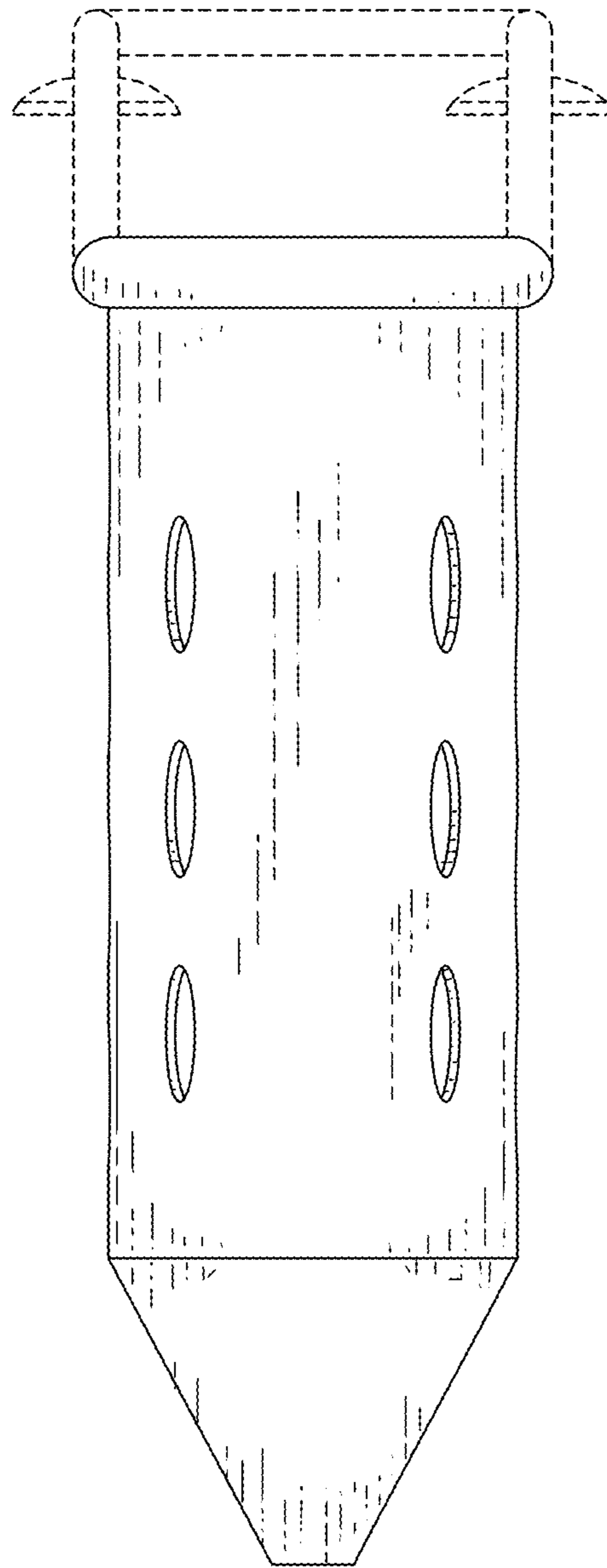


FIG. 2

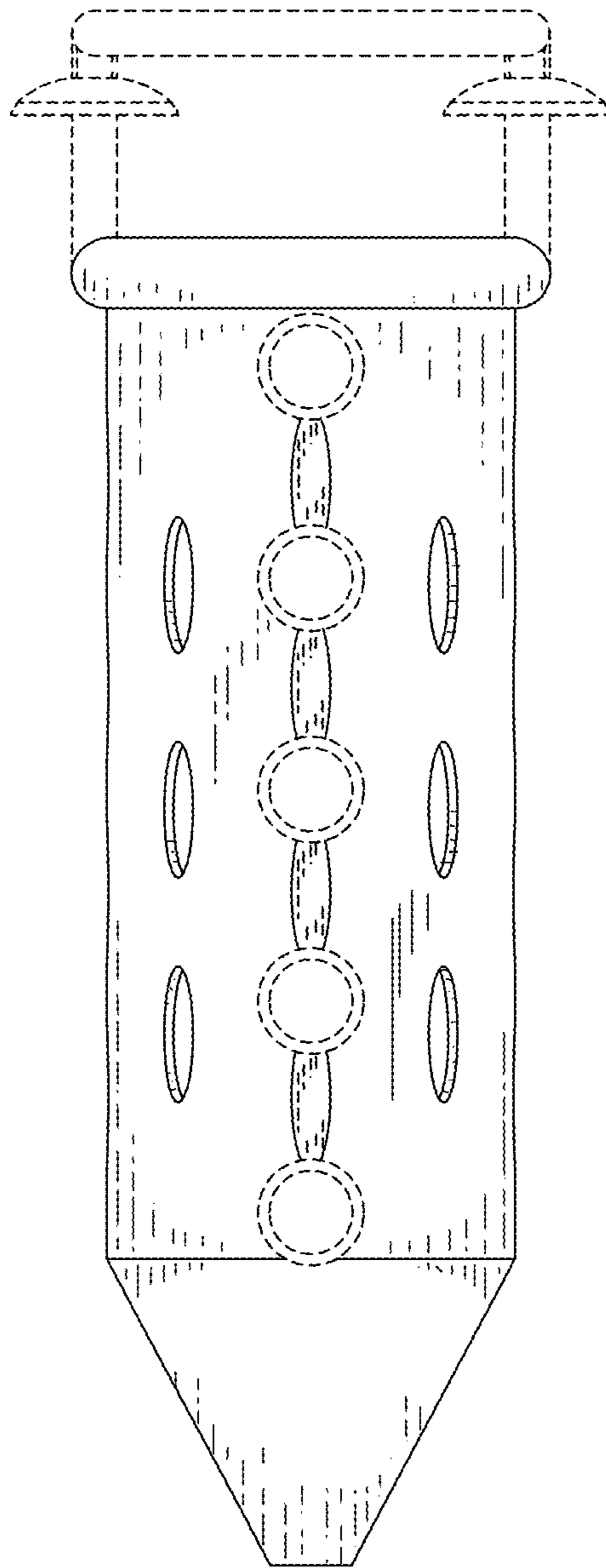


FIG. 3

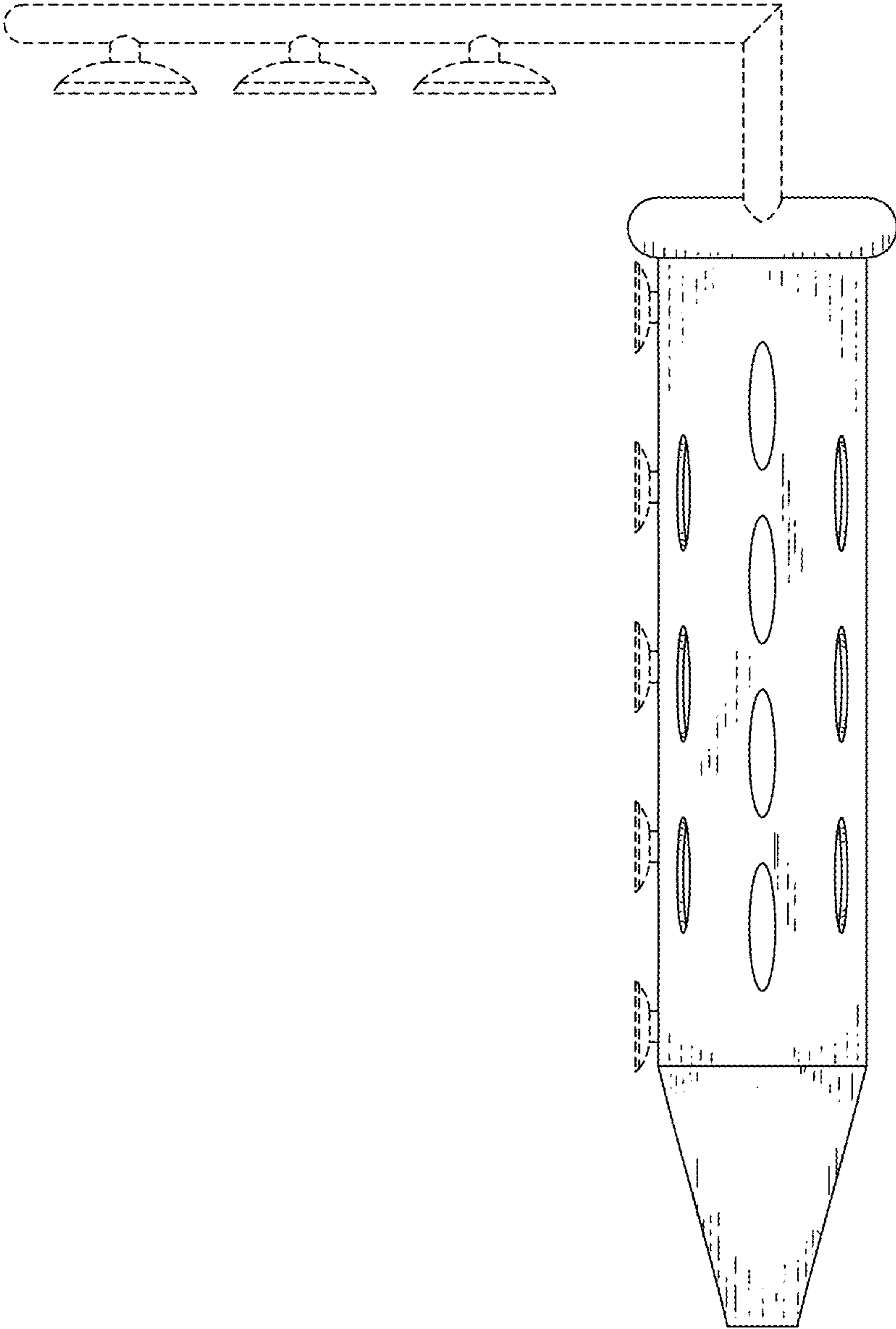


FIG. 4

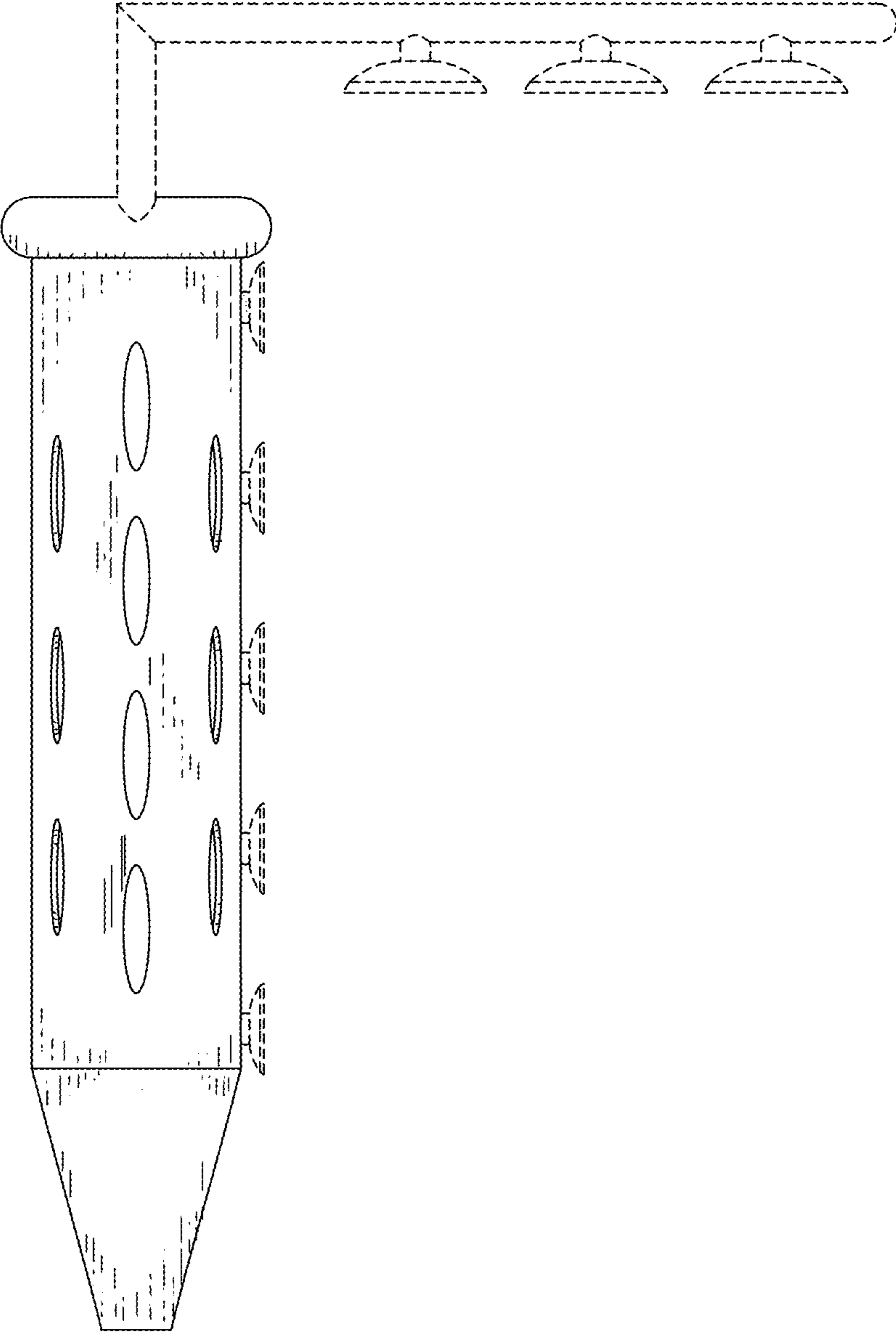


FIG. 5

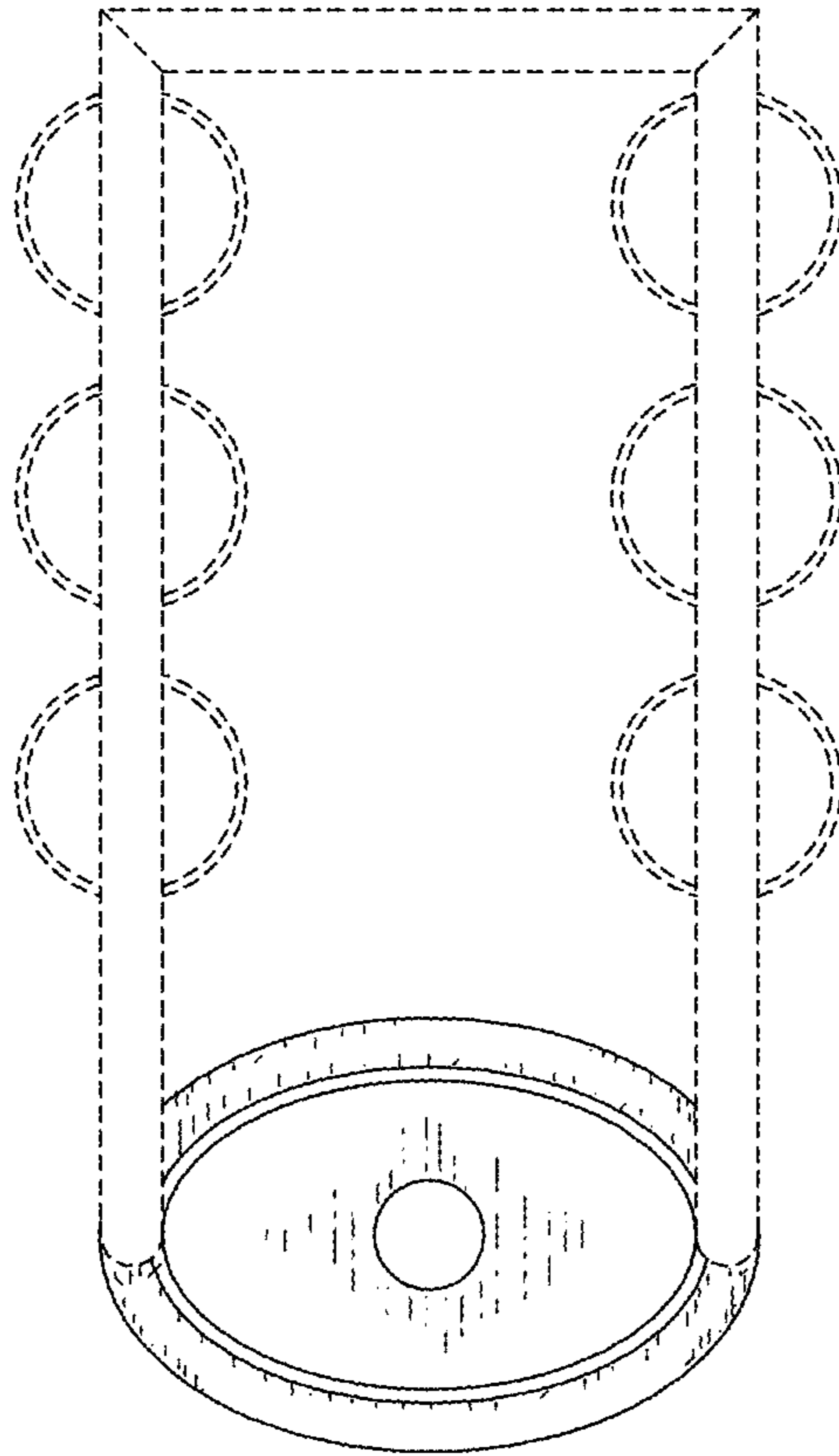


FIG. 6

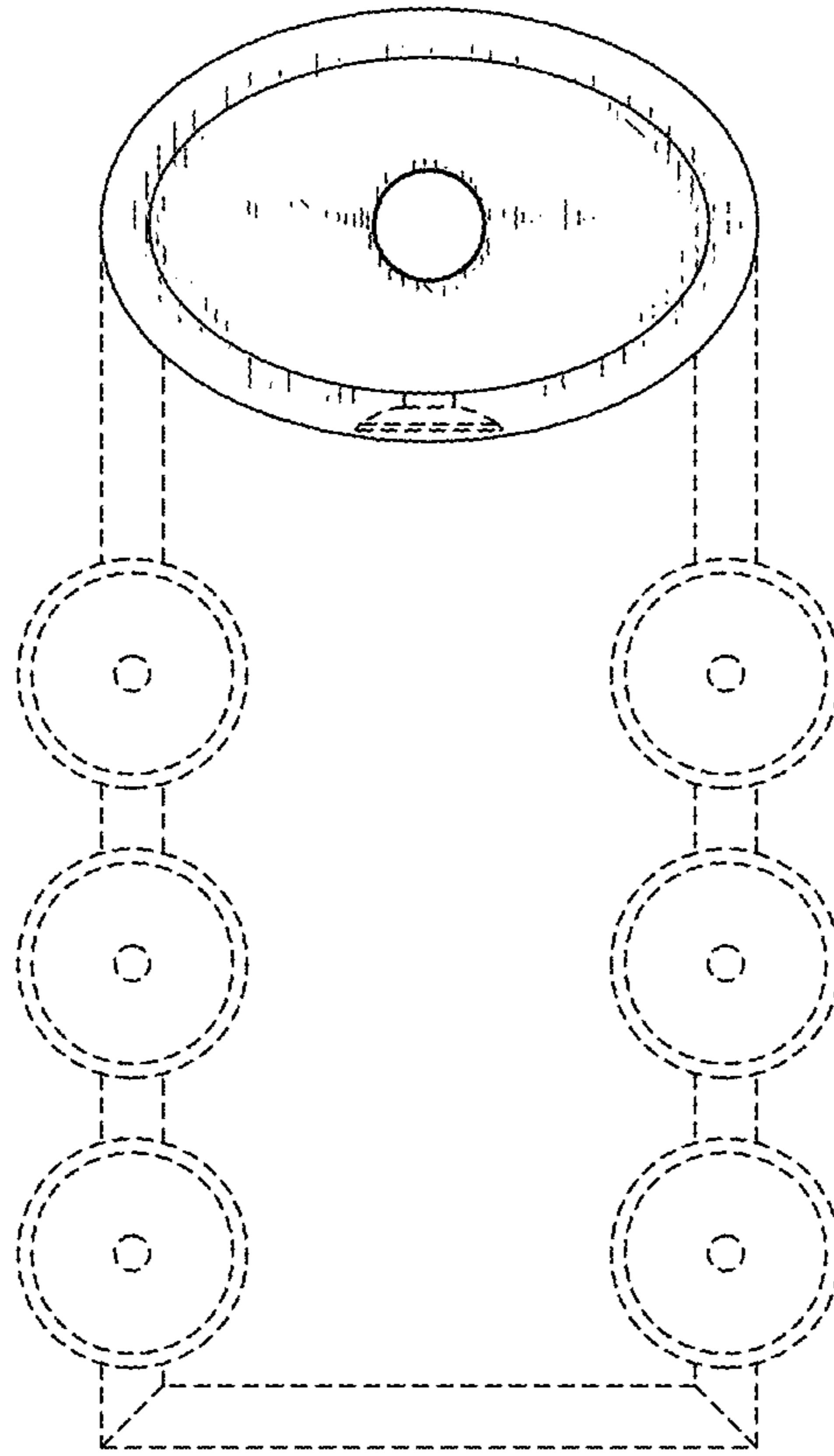


FIG. 7



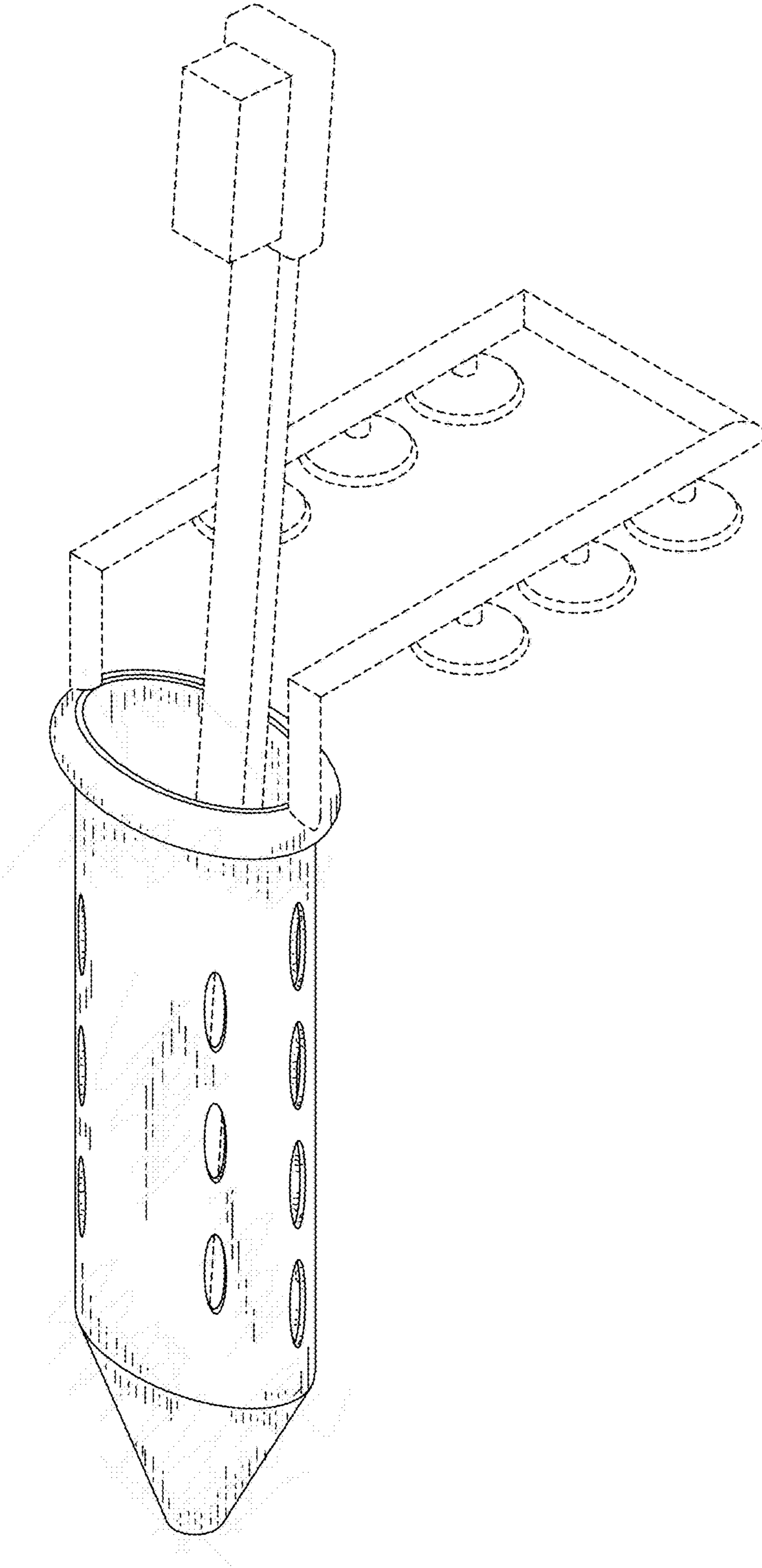


FIG. 8