



US00D780471S

(12) **United States Design Patent**  
**Weng**

(10) **Patent No.:** **US D780,471 S**

(45) **Date of Patent:** **\*\* Mar. 7, 2017**

- (54) **CHAIR**
- (71) Applicant: **Ningbo Mentoriend International Trading Co., Ltd., Ningbo (CN)**
- (72) Inventor: **Johnson Weng, Ningbo (CN)**
- (73) Assignee: **NINGBO MENTORIEND INTERNATIONAL TRADING CO., LTD., Ningbo (CN)**
- (\*\*) Term: **15 Years**
- (21) Appl. No.: **29/552,890**
- (22) Filed: **Jan. 27, 2016**
- (51) **LOC (10) Cl.** ..... **06-01**
- (52) **U.S. Cl.**  
USPC ..... **D6/369; D6/380**
- (58) **Field of Classification Search**  
USPC ..... D6/334-336, 360, 369, 370, 374, 379,  
D6/380, 716, 716.1, 716.2, 716.3, 716.4  
CPC .... A47C 3/04; A47C 4/02; A47C 4/03; A47C  
5/02; A47C 3/12  
See application file for complete search history.

D270,214 S *	8/1983	Kirkpatrick .....	D6/379
D320,894 S *	10/1991	Pons .....	D6/370
D360,540 S *	7/1995	Edwards .....	D6/379
D372,366 S *	8/1996	Frinier .....	D6/369
5,632,524 A *	5/1997	Ikeda .....	A47C 3/04 297/239
D406,198 S *	3/1999	Lin .....	D6/379
D408,646 S *	4/1999	Lin .....	D6/379
D422,423 S *	4/2000	Lin .....	D6/369
D582,693 S *	12/2008	da Costa .....	D6/380
D660,041 S *	5/2012	Rode .....	D6/374
D661,119 S *	6/2012	Rode .....	D6/374

\* cited by examiner

*Primary Examiner* — Mimosa De

(74) *Attorney, Agent, or Firm* — Matthias Scholl, PC;  
Matthias Scholl

(57) **CLAIM**

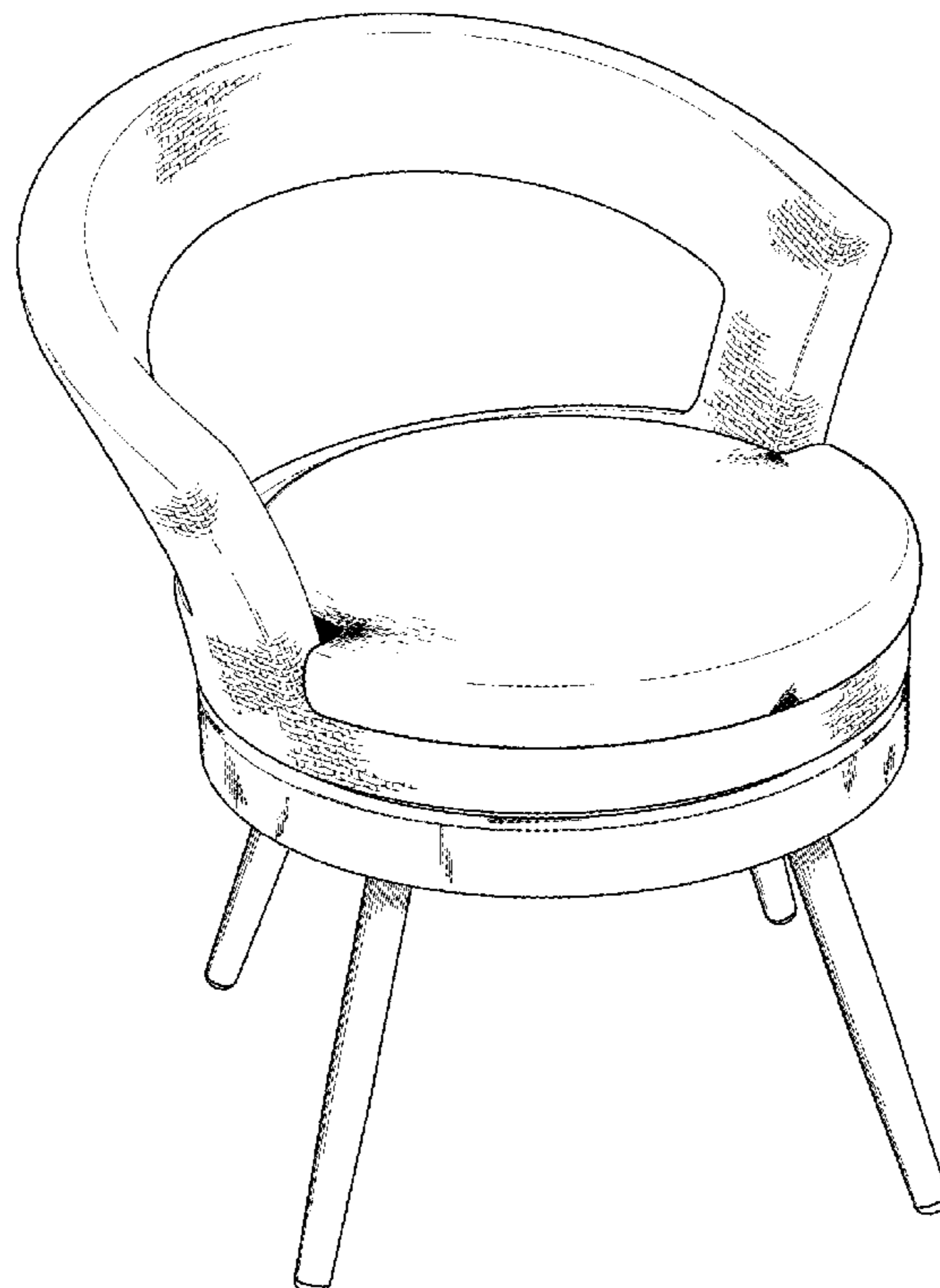
The ornamental design for a chair, as shown and described.

**DESCRIPTION**

FIG. 1 is a front elevational view of a chair;  
 FIG. 2 is a rear elevational view thereof;  
 FIG. 3 is a left side elevational view thereof;  
 FIG. 4 is a right side elevational view thereof;  
 FIG. 5 is a top plan view thereof;  
 FIG. 6 is a bottom plan view thereof; and,  
 FIG. 7 is a perspective view thereof.  
 The fragmented depictions of weave pattern shown in the views are understood to repeat throughout the areas shown.

**1 Claim, 7 Drawing Sheets**

- (56) **References Cited**  
U.S. PATENT DOCUMENTS  
D150,339 S \* 7/1948 Cunningham ..... 297/411.41  
3,471,199 A \* 10/1969 Kuhlmann ..... A47C 4/02  
297/411.41



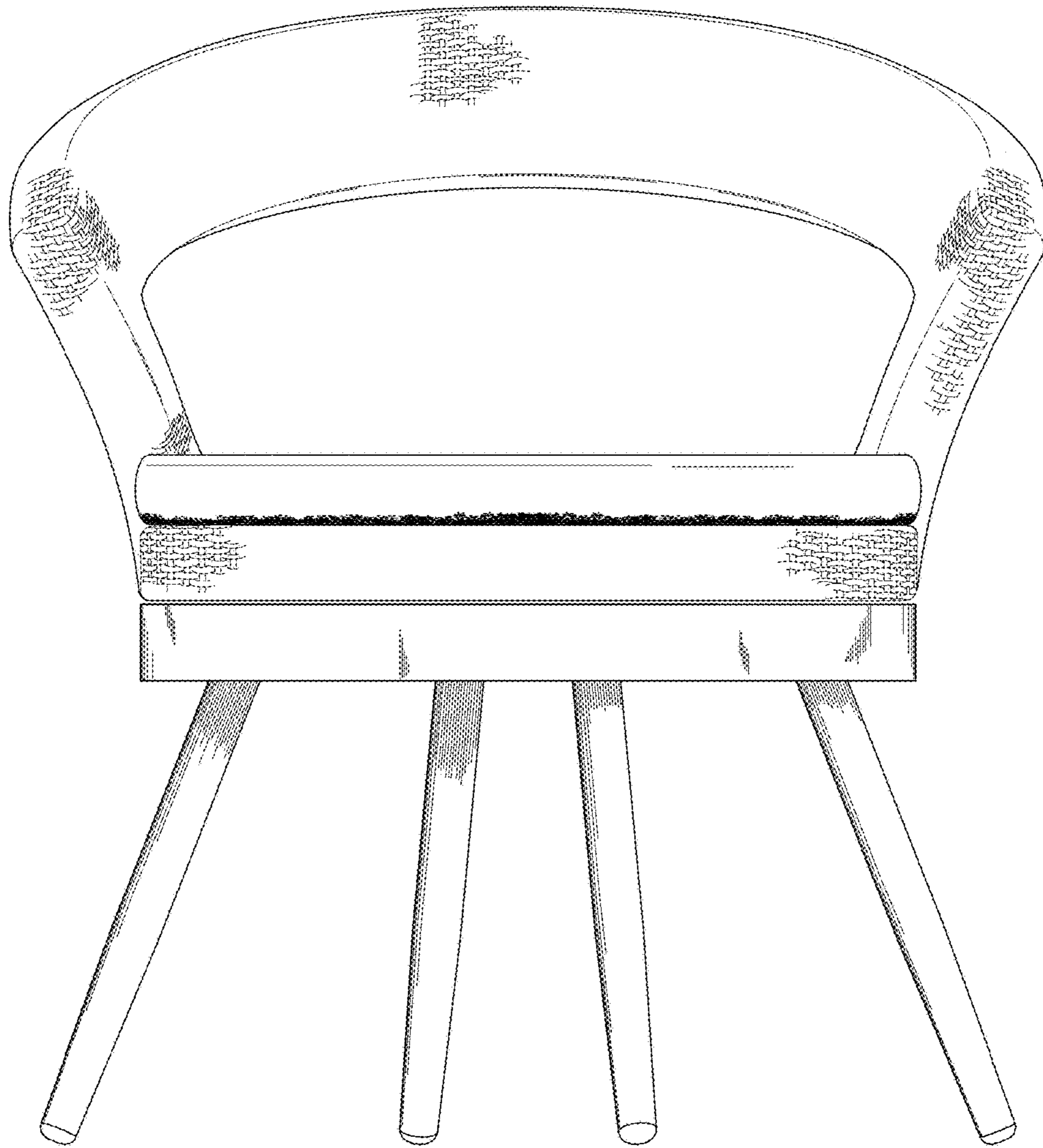


FIG. 1

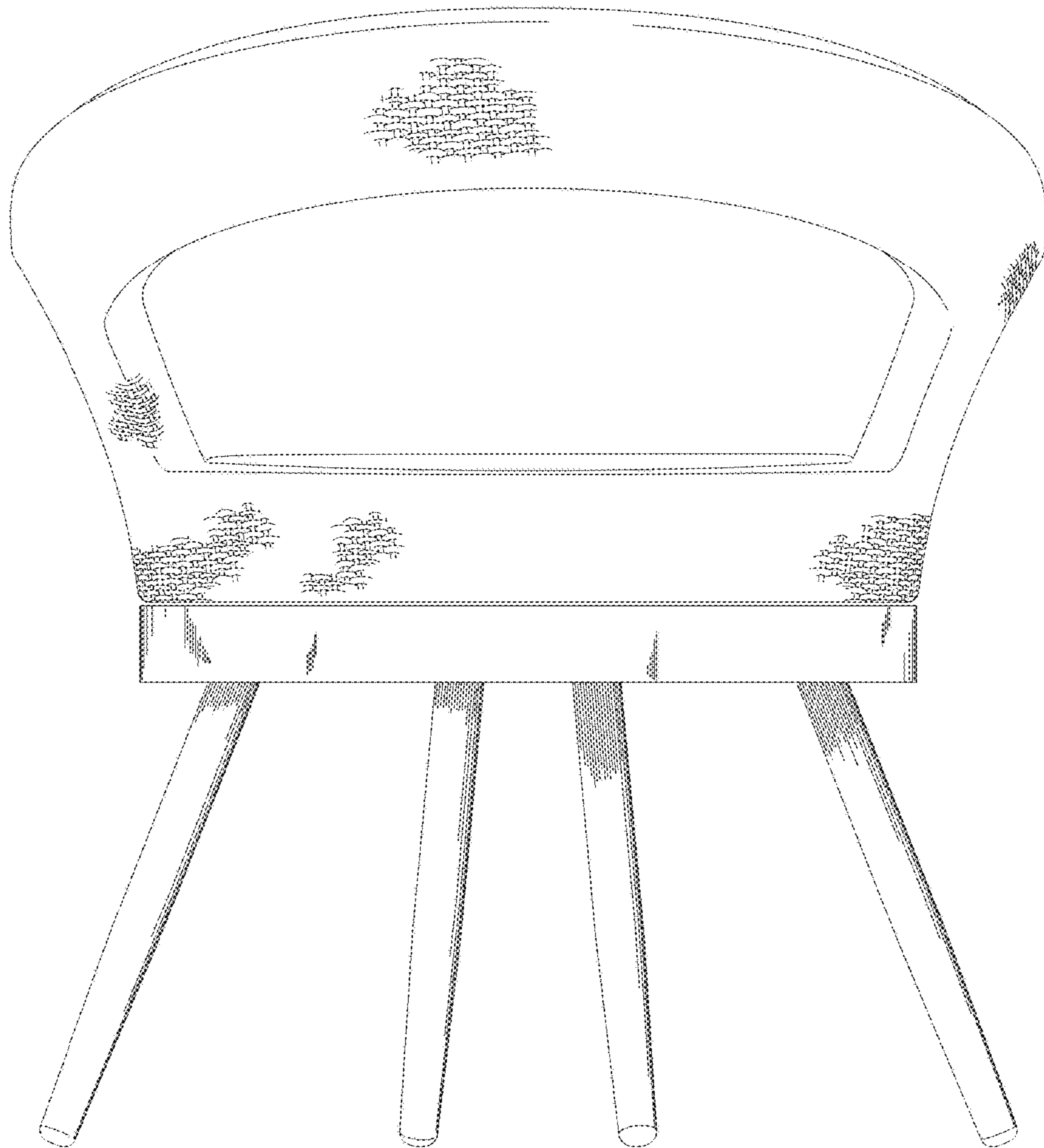


FIG. 2

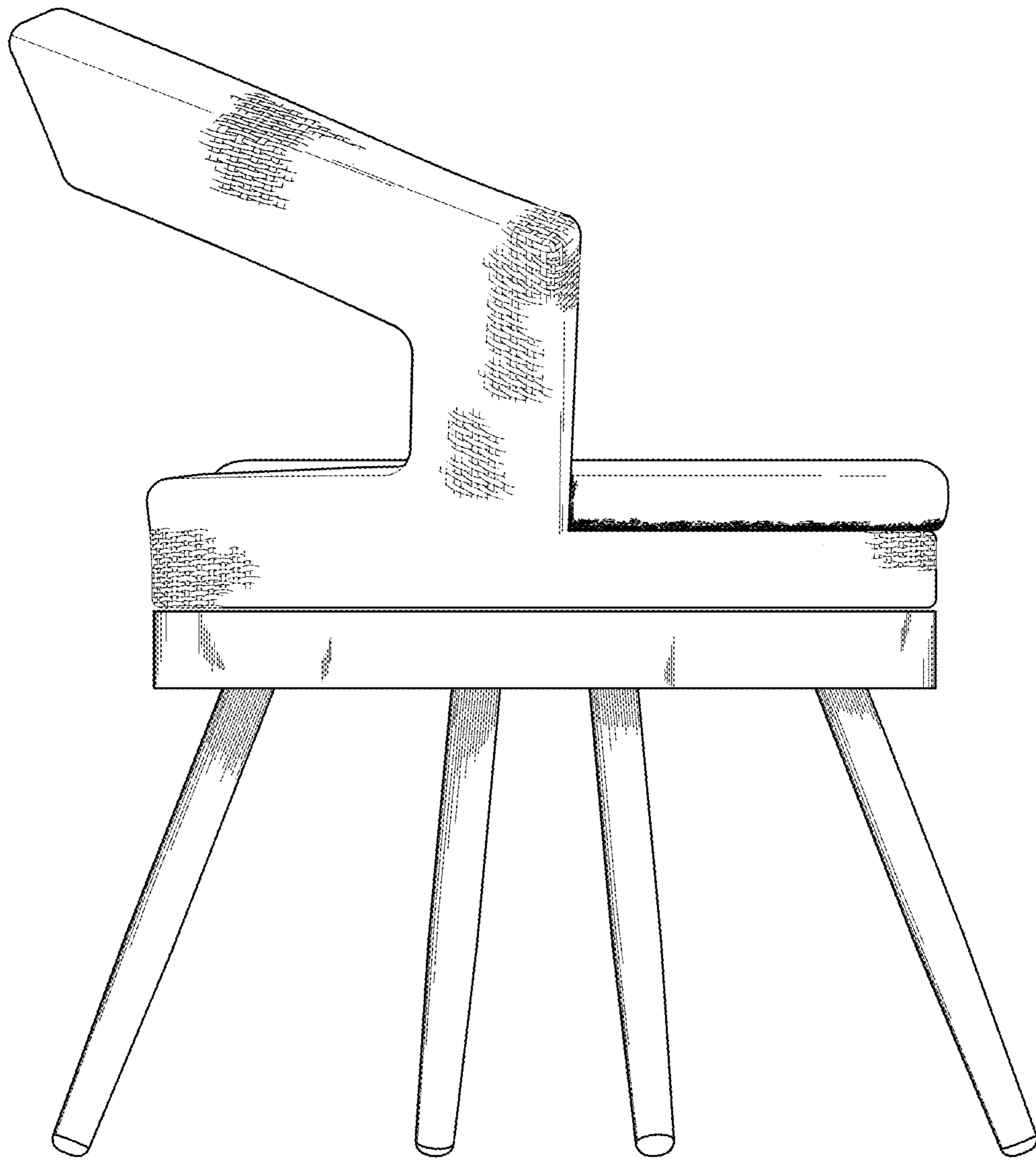


FIG. 3

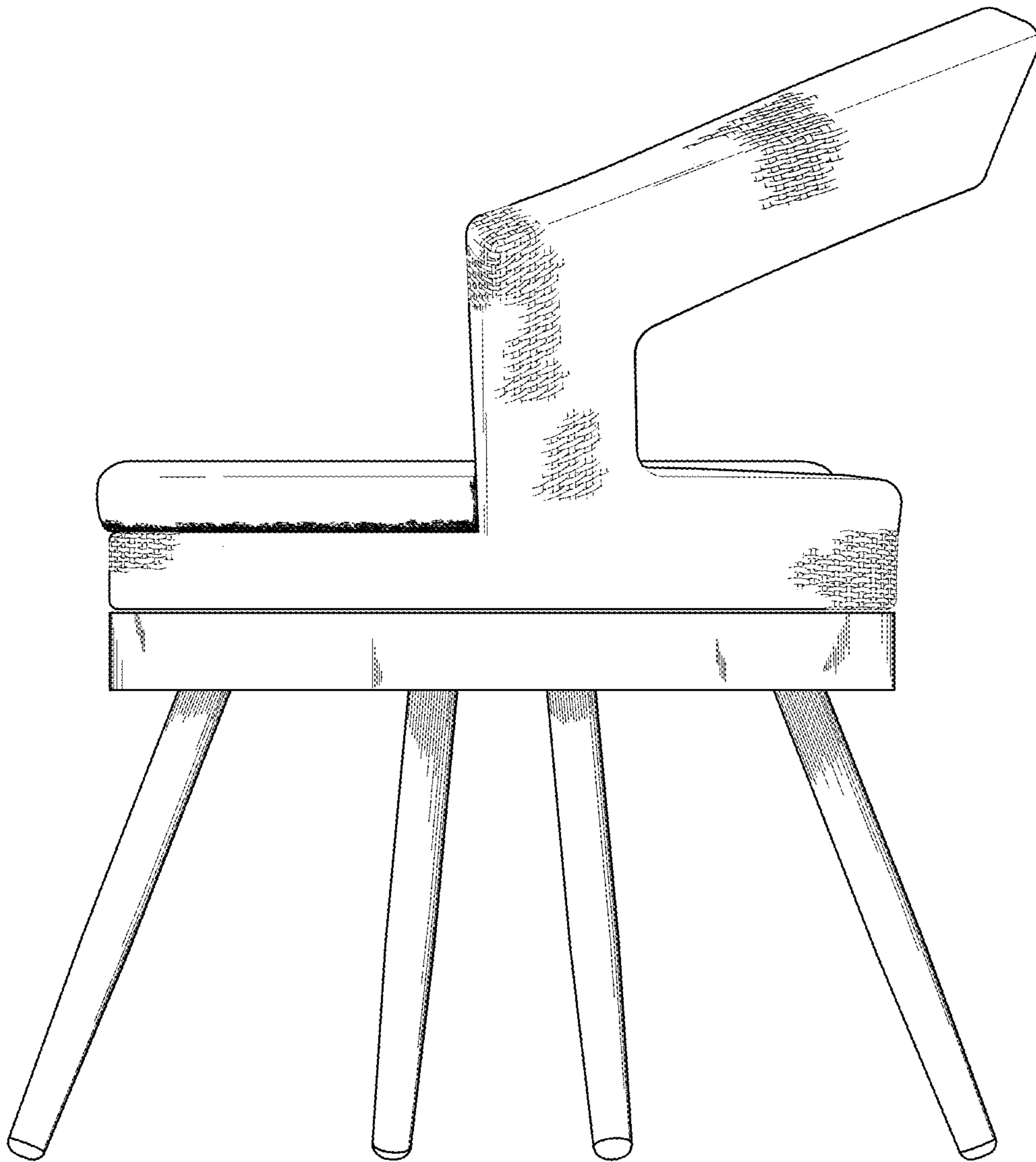


FIG. 4

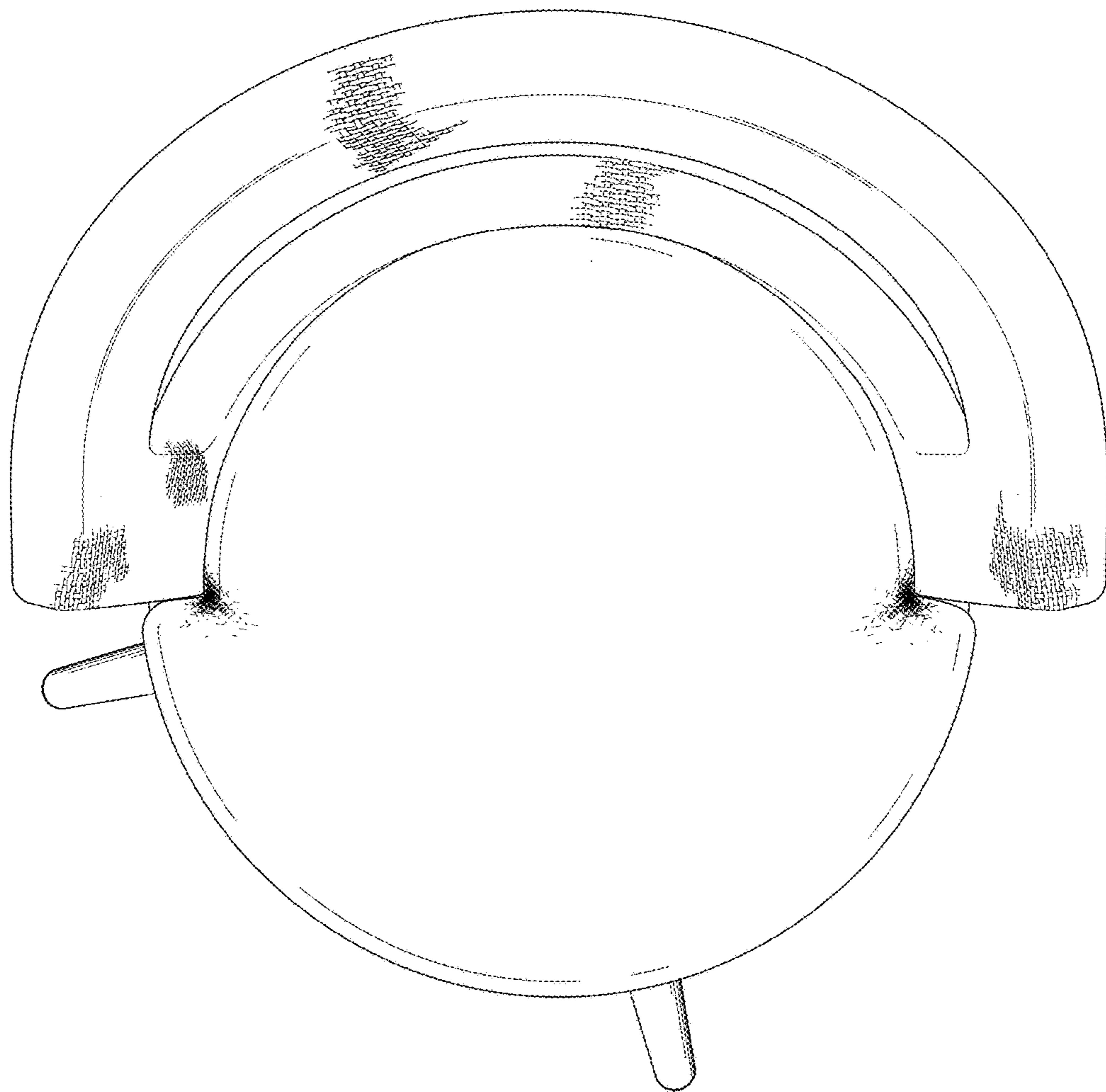


FIG. 5

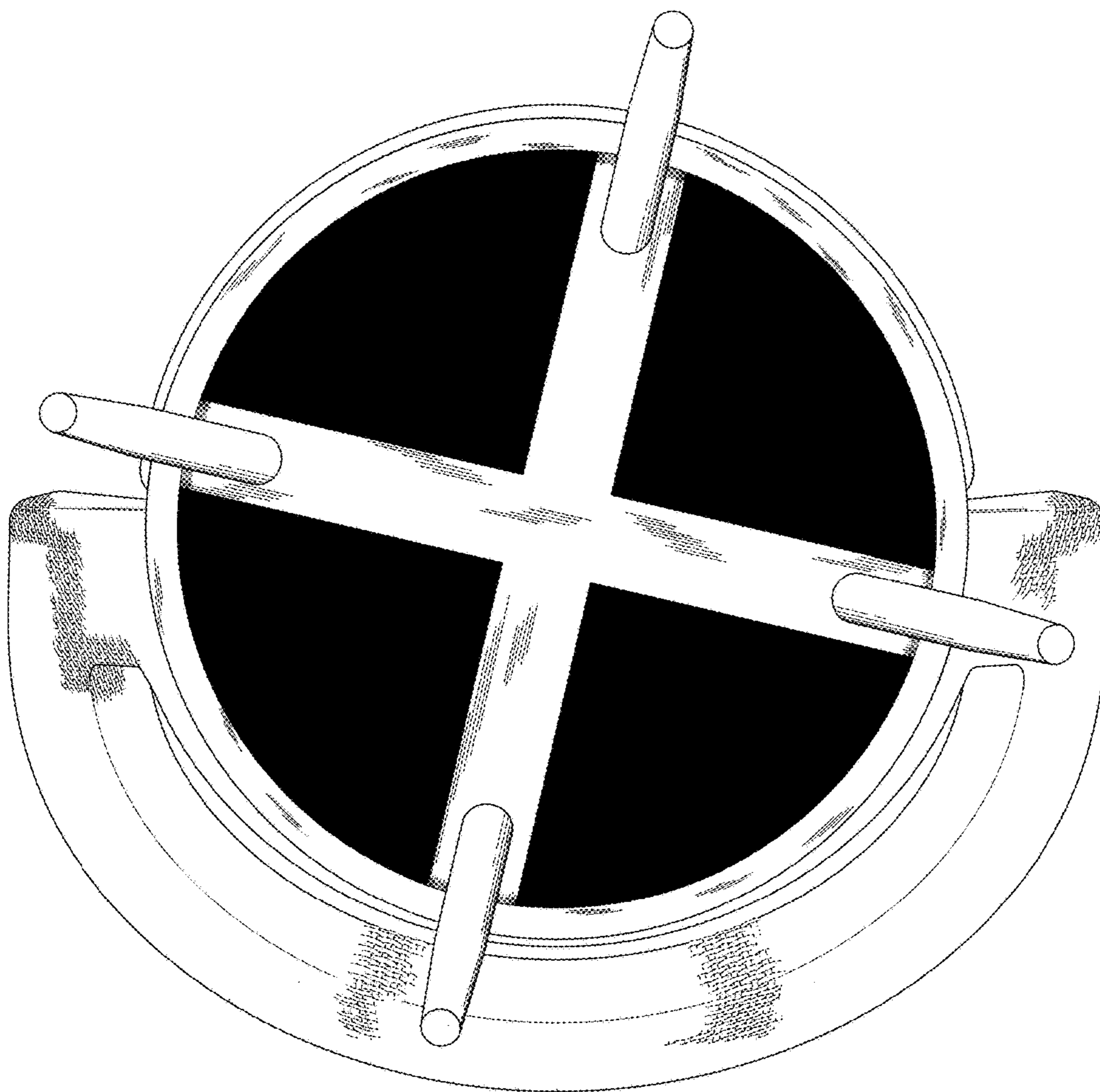


FIG. 6



FIG. 7