



US00D780469S

(12) **United States Design Patent**
Cohen

(10) **Patent No.:** **US D780,469 S**
(45) **Date of Patent:** **** Mar. 7, 2017**

- (54) **STOOL**
- (71) Applicant: **Cohen Concepts, Inc.**, Palm Bay, FL (US)
- (72) Inventor: **Howard Cohen**, Indialantic, FL (US)
- (73) Assignee: **Cohen Concepts, Inc.**, Palm Bay, FL (US)
- (**) Term: **15 Years**
- (21) Appl. No.: **29/536,142**
- (22) Filed: **Aug. 13, 2015**
- (51) **LOC (10) Cl.** **06-01**
- (52) **U.S. Cl.**
USPC **D6/349; D6/370**
- (58) **Field of Classification Search**
USPC D6/334-335, 349-355, 358, 360, D6/362-365, 370, 374, 381, 691, 691.1, D6/691.4, 692, 693, 694, 694.2
CPC .. A47C 9/00; A47C 9/02; A47C 9/002; A47C 9/007; A47C 9/025; A47C 9/10; A47C 11/00; A47C 12/00; A47C 13/00; A47C 16/02; A47C 5/02; A47C 5/04; A47C 5/043; A47C 7/00-7/006; A47C 7/02; A47B 3/00; A47B 3/02; A47B 3/04; A47B 3/12
See application file for complete search history.

- D718,942 S * 12/2014 Cohen D6/349
- D728,980 S * 5/2015 Asner D6/691.1
- D736,529 S * 8/2015 Cohen D6/349
- D736,530 S * 8/2015 Cohen D6/349
- D739,670 S * 9/2015 Pedersen D6/691.1
- D740,576 S * 10/2015 Cohen D6/349

OTHER PUBLICATIONS

18" Spa Lotus Teak Shower Bench. [online] Retrieved Sep. 14, 2016 from URL: <<http://www.aquateak.com/spa-shower-benches-stools/18-spa-lotus-teak-shower-bench/>>.*
Customer Project. Outdoor Shower Bench. [online] Retrieved Sep. 14, 2016 from URL: <<https://www.rustoleum.com/project-catalog/patio%20porch/outdoor-shower-bench/>>.*

(Continued)

Primary Examiner — Vy Koenig
(74) *Attorney, Agent, or Firm* — Stephen C. Thomas

(57) **CLAIM**
The ornamental design for a stool, as shown.

DESCRIPTION

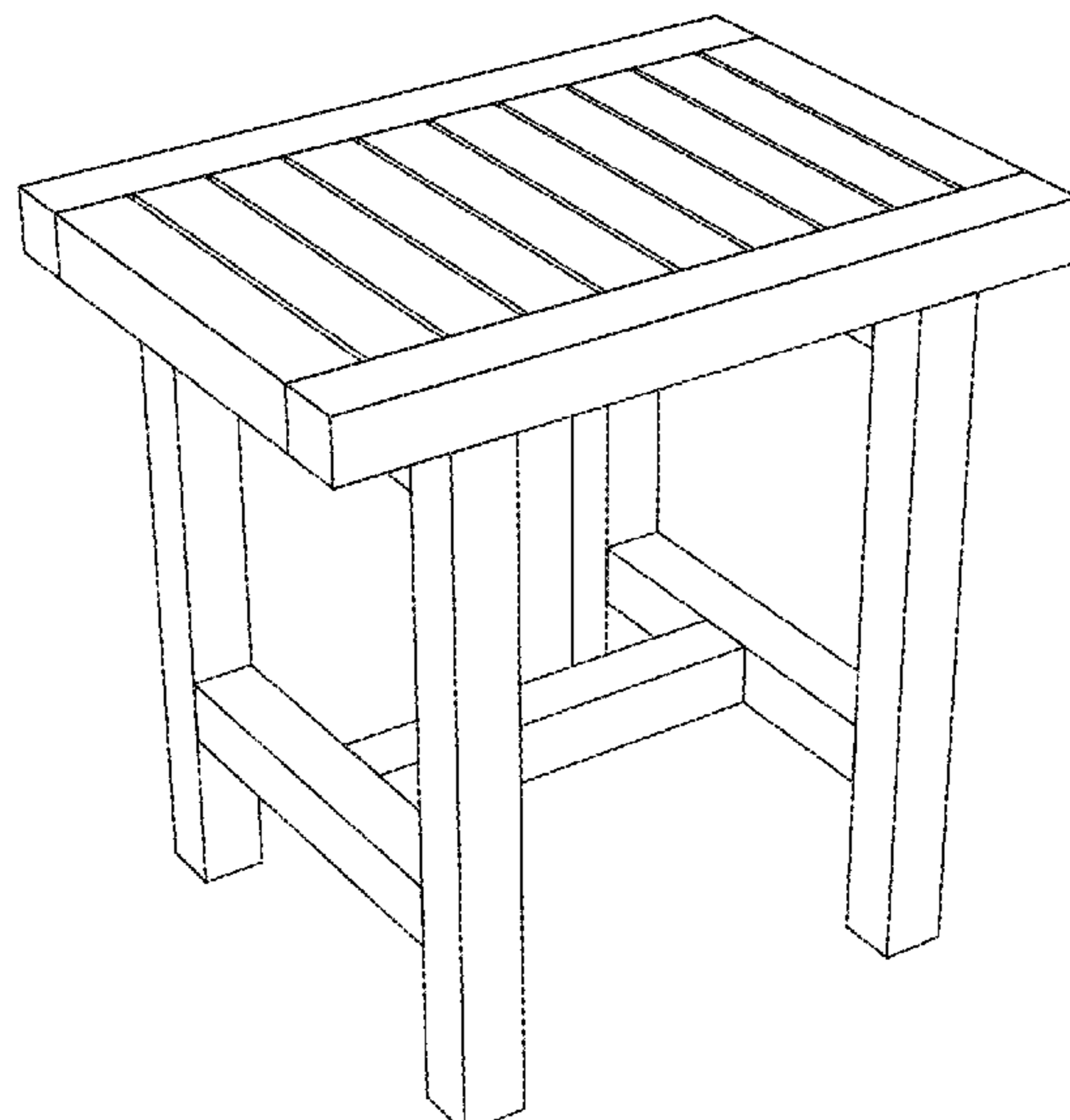
FIG. 1 depicts a perspective view of the stool of the invention.
FIG. 2 depicts a bottom perspective view of the stool of the invention.
FIG. 3 depicts a front orthogonal view of the stool of the invention.
FIG. 4 depicts an orthogonal left side view of the stool of the invention.
FIG. 5 depicts an orthogonal right side view of the stool of the invention.
FIG. 6 depicts an orthogonal top view of the stool of the invention; and,
FIG. 7 depicts an orthogonal bottom view of the stool of the invention.

1 Claim, 7 Drawing Sheets

(56) **References Cited**

U.S. PATENT DOCUMENTS

- D263,910 S * 4/1982 Robertson D6/691.1
- D303,877 S * 10/1989 Norton D6/349
- D350,452 S * 9/1994 Ward D6/691.1
- D516,842 S * 3/2006 Cross D6/691.1
- D540,070 S * 4/2007 Bibi D21/397
- D555,919 S * 11/2007 Baade D6/349
- D703,453 S * 4/2014 Gelman D6/349



(56)

References Cited

OTHER PUBLICATIONS

Classic™ Teak Shower Stool Chair With Arms—DT107. [online]
Retrieved Oct. 17, 2016 from URL: <[http://www.decoteak.com/
teakspashowerstoolchair/bench/bath.html](http://www.decoteak.com/teakspashowerstoolchair/bench/bath.html)> 1>.*

* cited by examiner

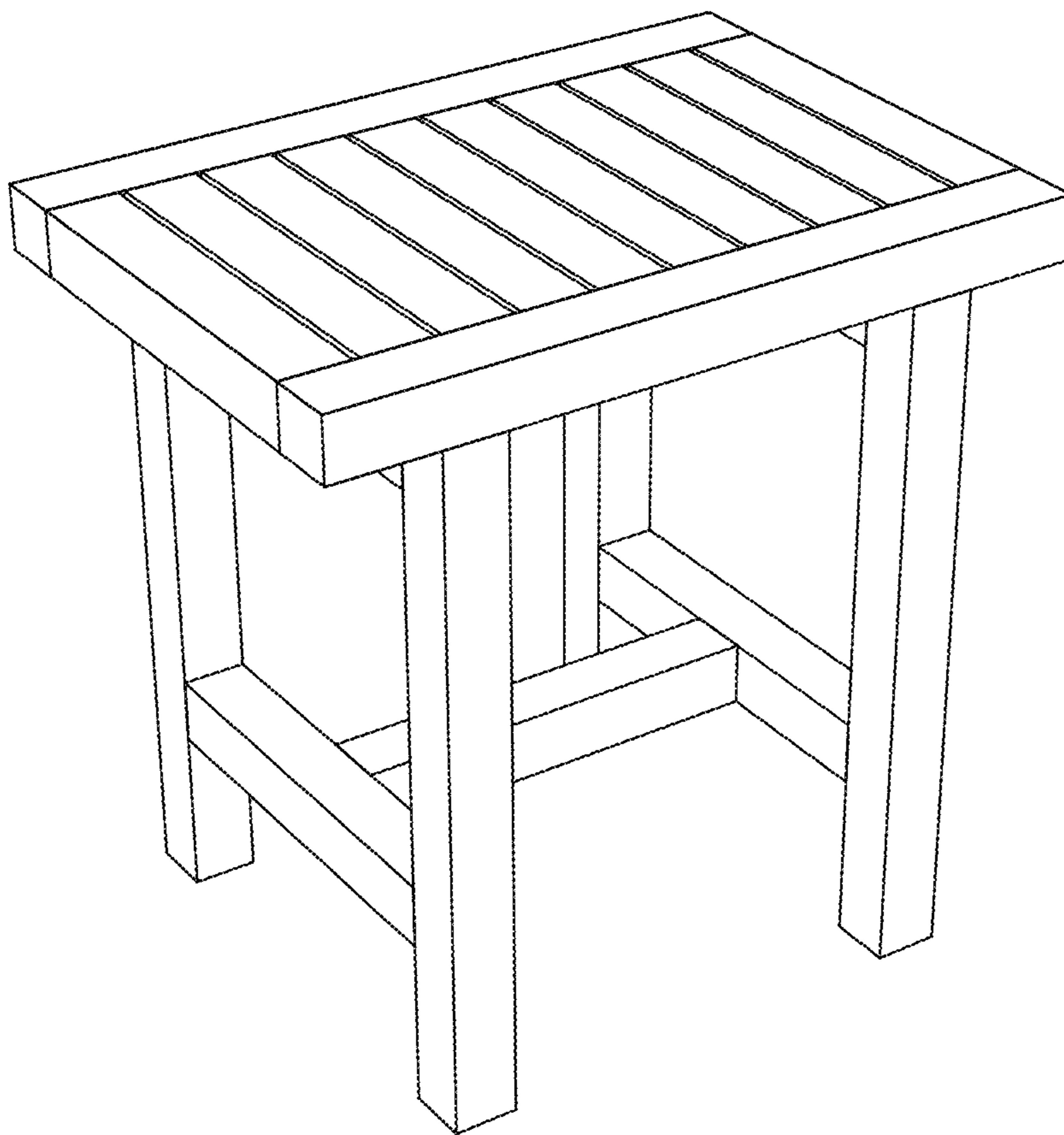


Fig. 1

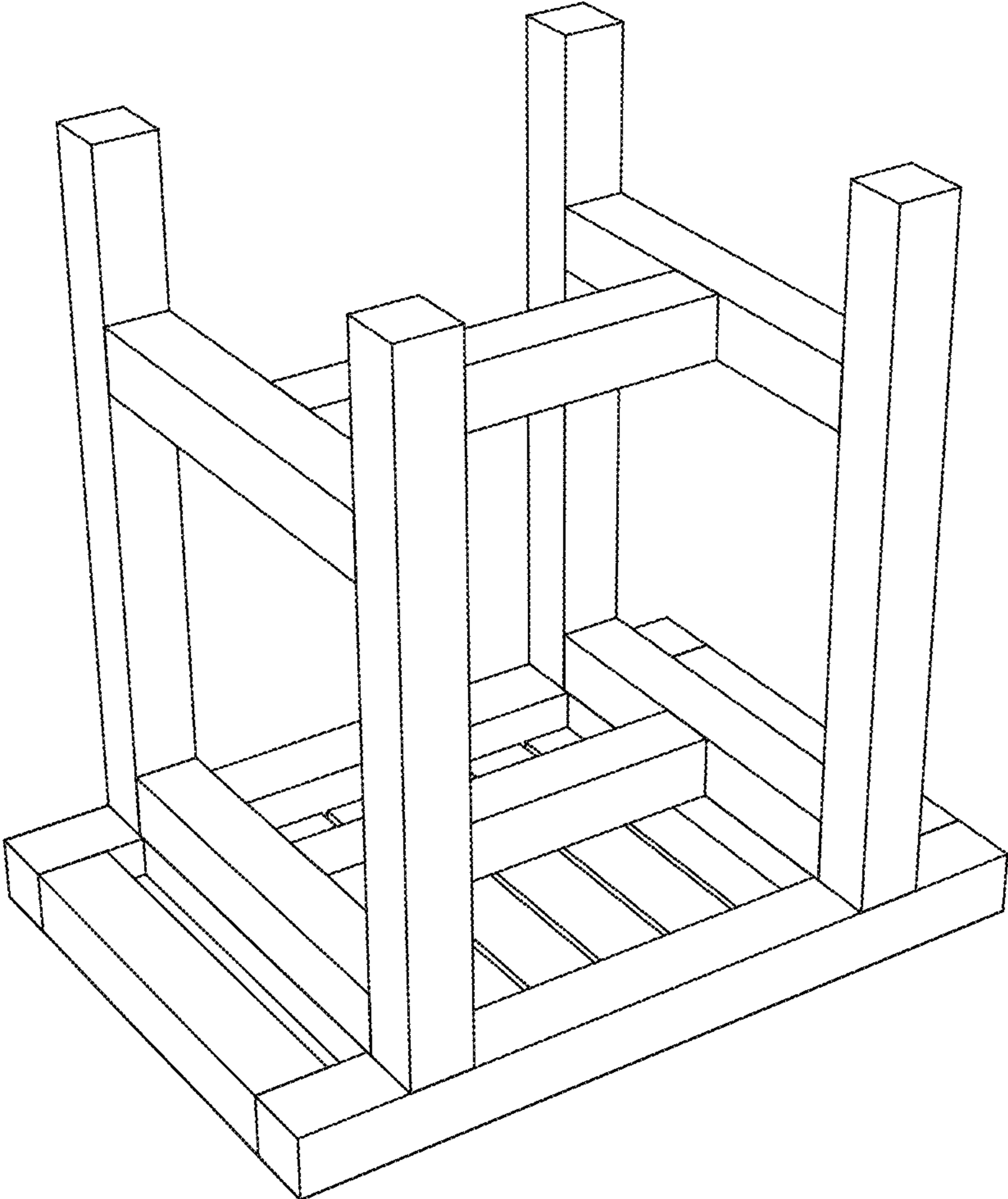


Fig. 2

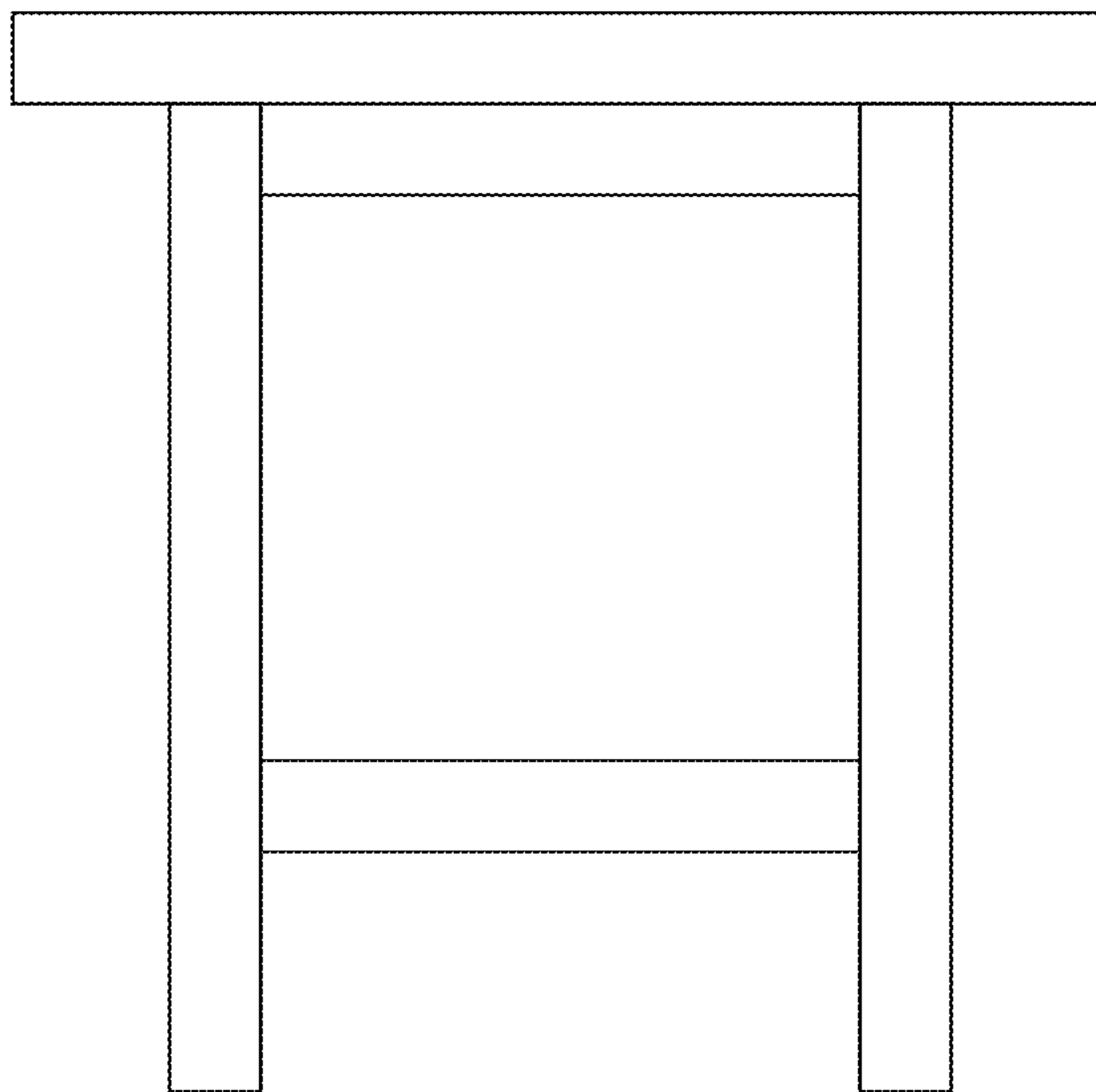


Fig. 3

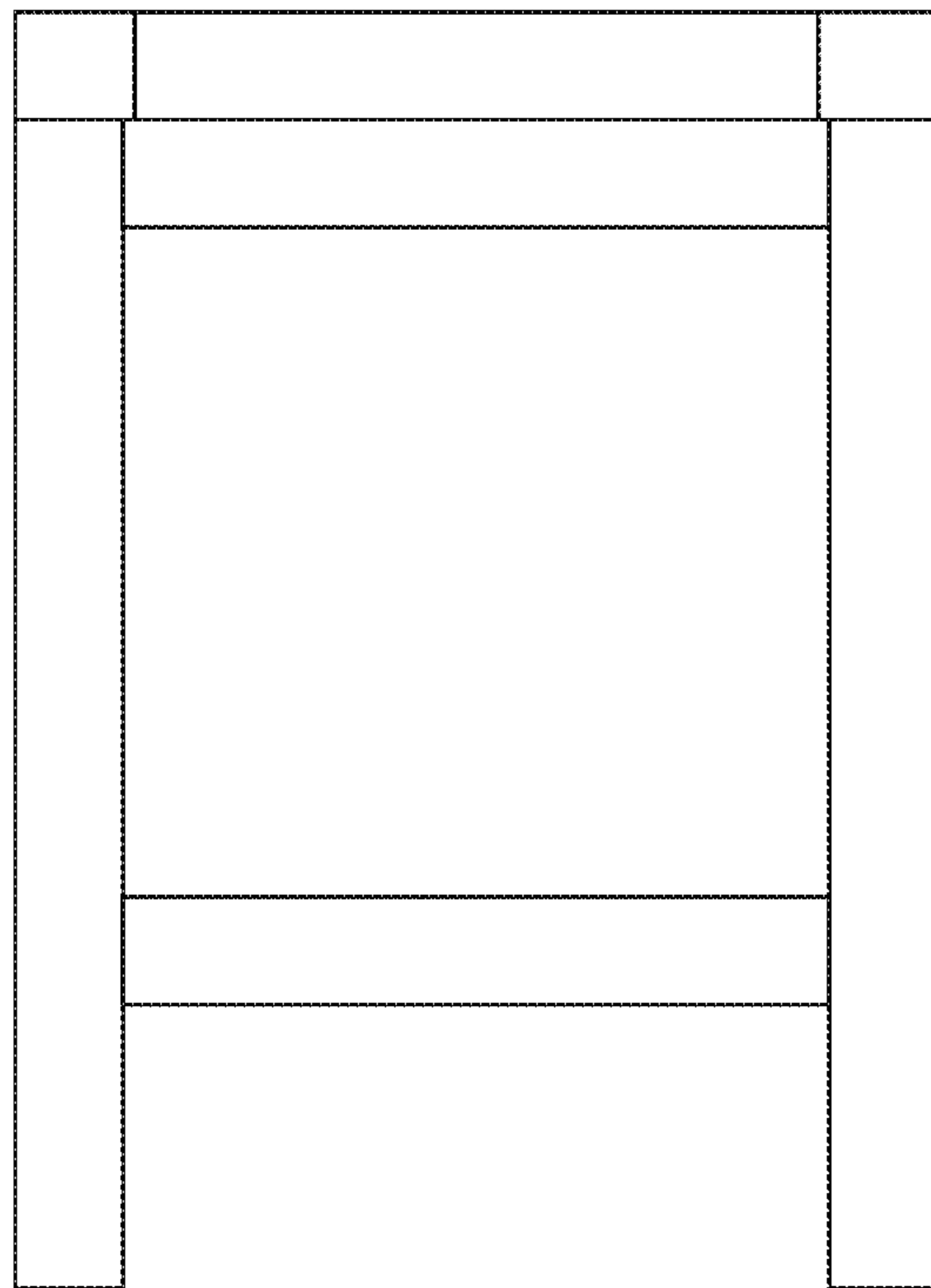


Fig. 4

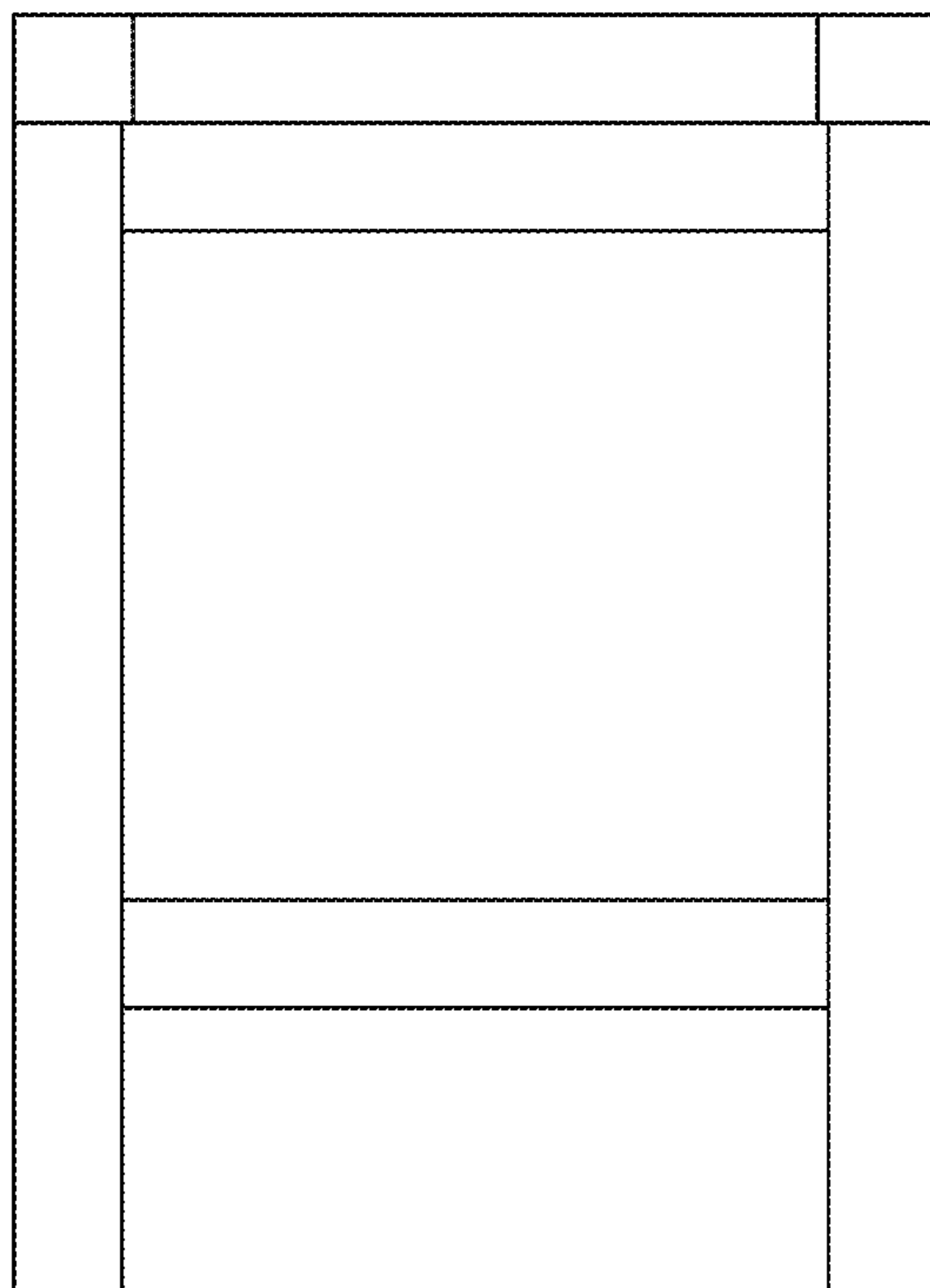


Fig. 5

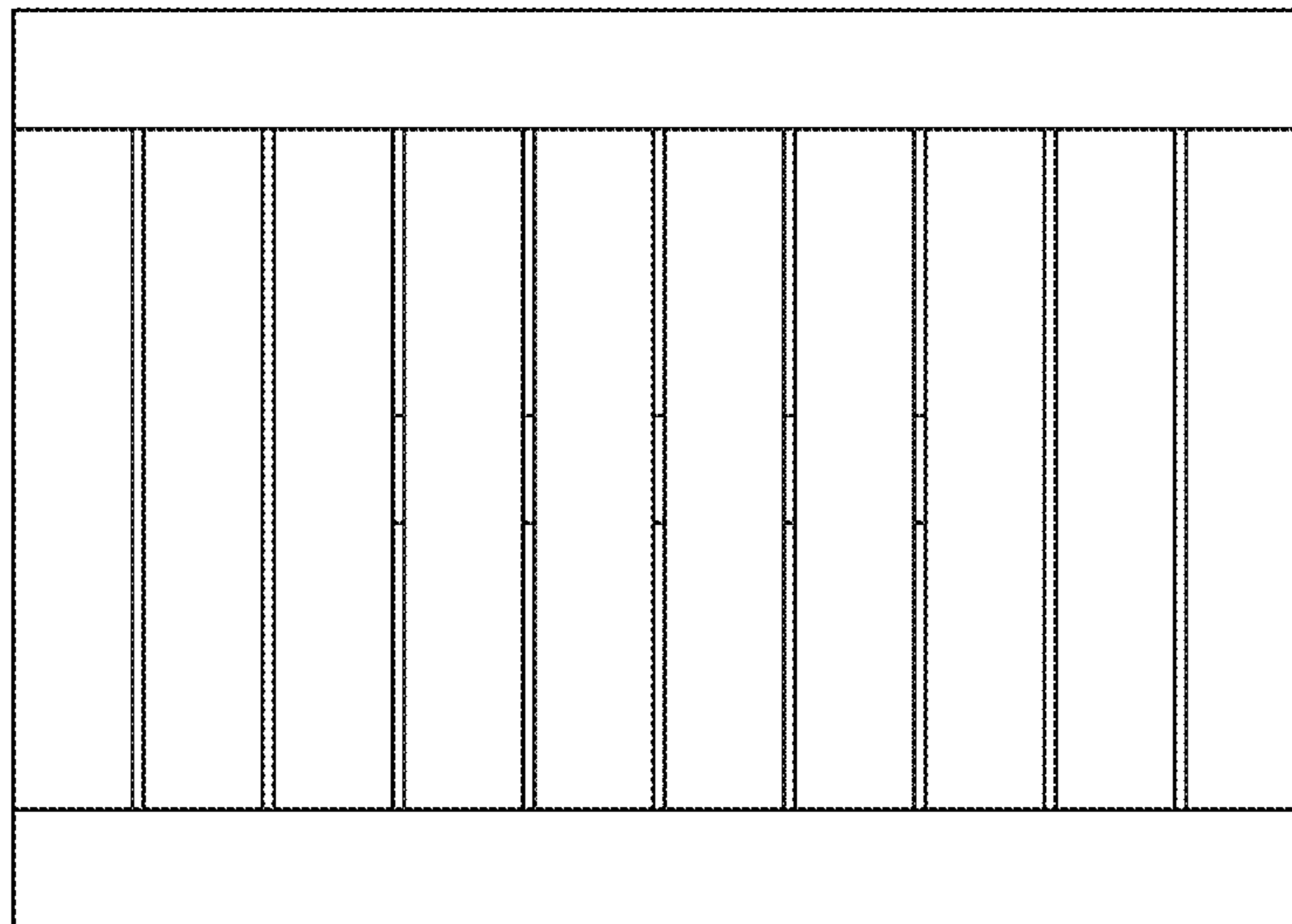


Fig. 6

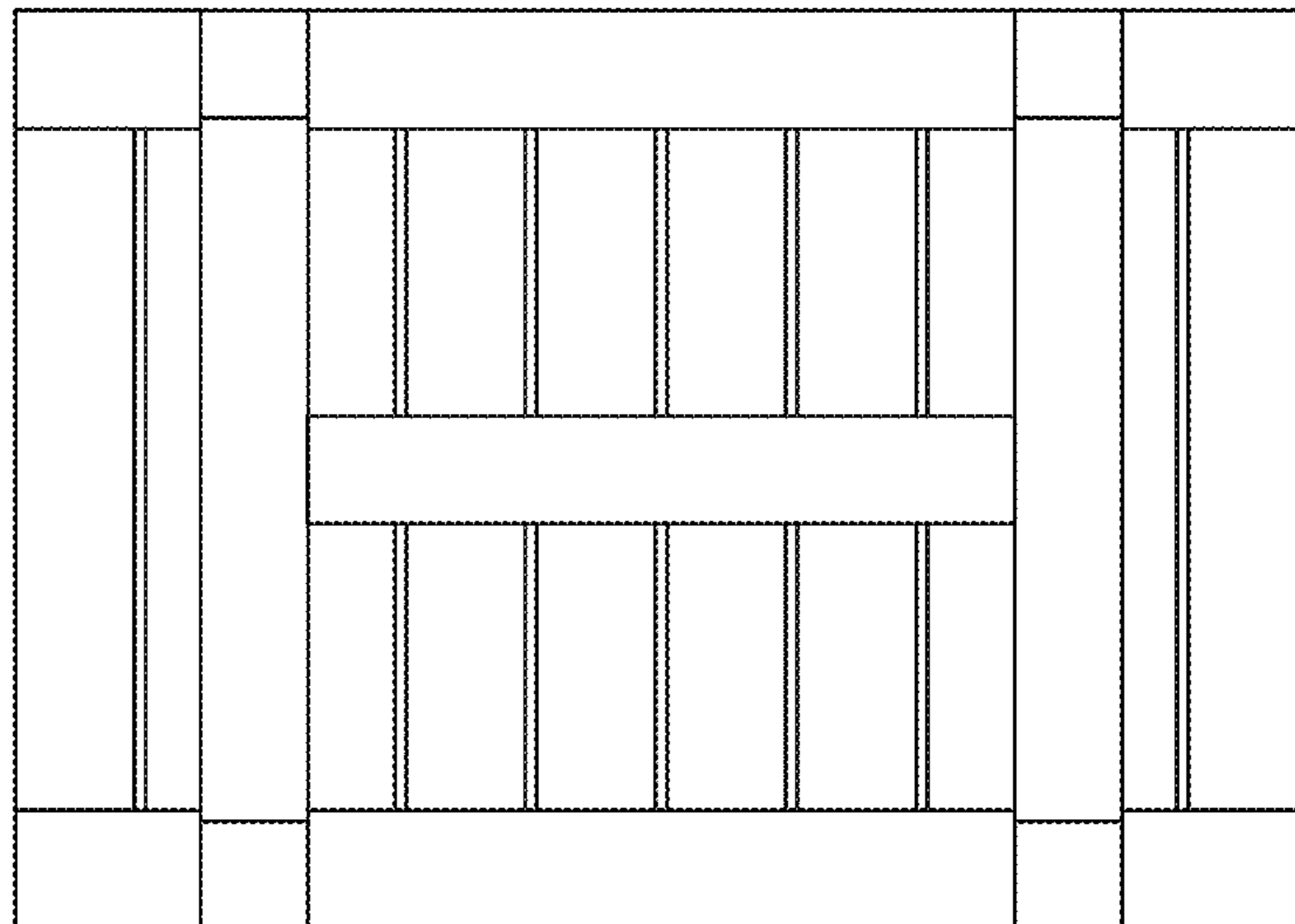


Fig. 7