



US00D780468S

(12) **United States Design Patent**  
**Cohen**

(10) **Patent No.:** **US D780,468 S**

(45) **Date of Patent:** **\*\* Mar. 7, 2017**

(54) **BENCH**

(71) Applicant: **Howard Cohen**, Indialantic, FL (US)

(72) Inventor: **Howard Cohen**, Indialantic, FL (US)

(\*\*) Term: **14 Years**

(21) Appl. No.: **29/515,388**

(22) Filed: **Jan. 22, 2015**

(51) **LOC (10) Cl.** ..... **06-01**

(52) **U.S. Cl.**  
USPC ..... **D6/349; D6/370**

(58) **Field of Classification Search**

USPC ..... D6/334-335, 349-355, 358, 360,  
D6/362-365, 370, 374, 381, 691, 691.1,  
D6/691.4, 692, 693, 694, 694.2  
CPC .. A47C 9/00; A47C 9/02; A47C 9/002; A47C  
9/007; A47C 9/025; A47C 9/10; A47C  
11/00; A47C 12/00; A47C 13/00; A47C  
16/02; A47C 5/02; A47C 5/04; A47C  
5/043; A47C 7/00-7/006; A47C 7/02;  
A47B 3/00; A47B 3/02; A47B 3/04;  
A47B 3/12

See application file for complete search history.

(56) **References Cited**

**U.S. PATENT DOCUMENTS**

D159,947 S \* 9/1950 Bell ..... D6/349  
D303,877 S \* 10/1989 Norton ..... D6/349

D530,548 S \* 10/2006 McCurry ..... D6/708  
D540,070 S \* 4/2007 Bibi ..... D21/397  
D555,919 S \* 11/2007 Baade ..... D6/349  
D669,695 S \* 10/2012 McCurry ..... D6/349  
D703,451 S \* 4/2014 Gelman ..... D6/349  
D703,452 S \* 4/2014 Gelman ..... D6/349  
D717,053 S \* 11/2014 Gelman ..... D6/349  
D721,894 S \* 2/2015 Cohen ..... D6/349  
D722,780 S \* 2/2015 Cohen ..... D6/349  
D736,530 S \* 8/2015 Cohen ..... D6/349

\* cited by examiner

*Primary Examiner* — Vy Koenig

(74) *Attorney, Agent, or Firm* — Stephen C. Thomas

(57) **CLAIM**

The ornamental design for a bench, as shown and described.

**DESCRIPTION**

FIG. 1 depicts a perspective view of the bench of the invention.

FIG. 2 depicts a front view of the bench of the invention.

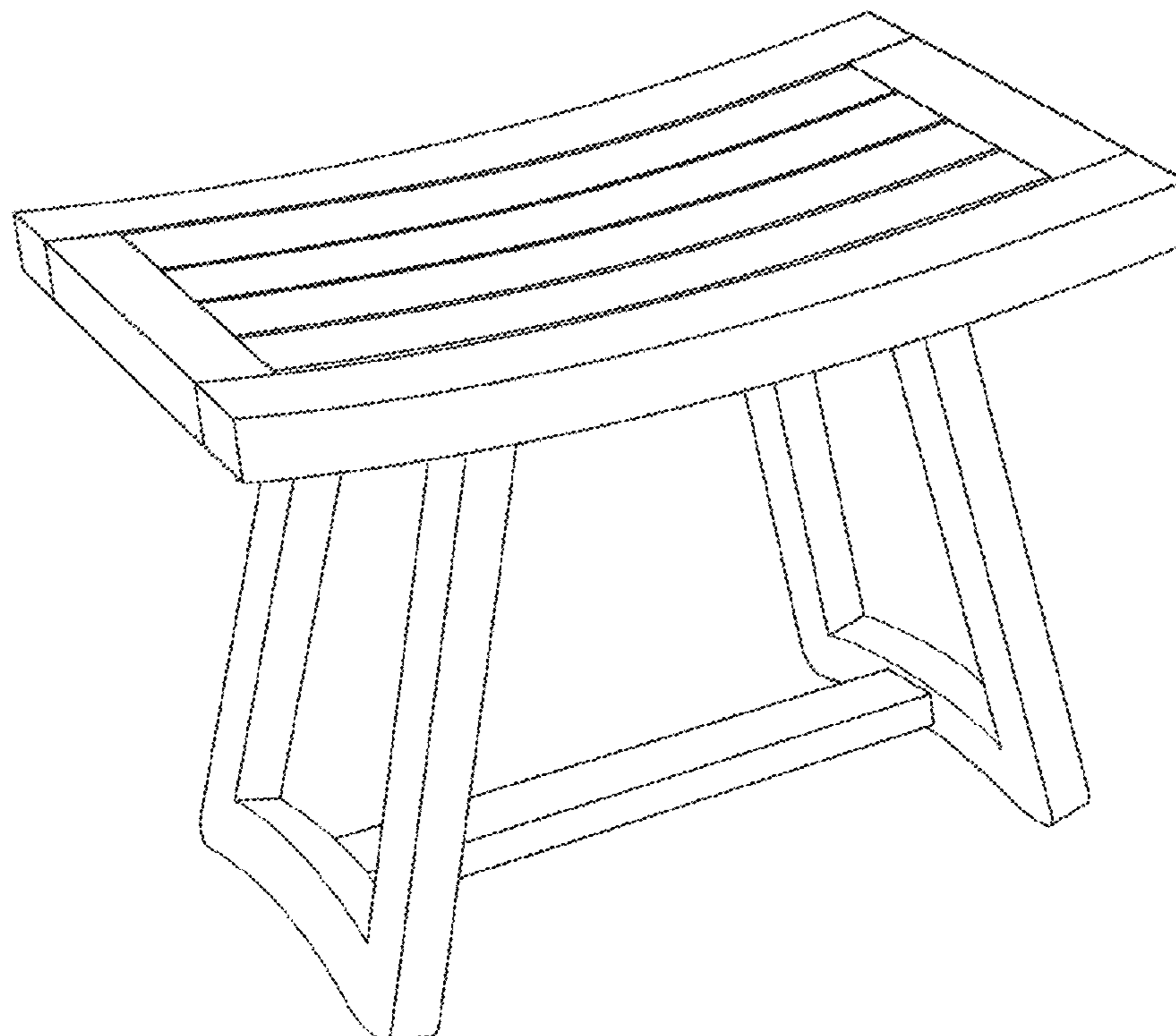
FIG. 3 depicts a perspective left side view of the bench of the invention.

FIG. 4 depicts a perspective right side view of the bench of the invention.

FIG. 5 depicts a top view of the bench of the invention; and,

FIG. 6 depicts a bottom view of the bench of the invention.

**1 Claim, 6 Drawing Sheets**



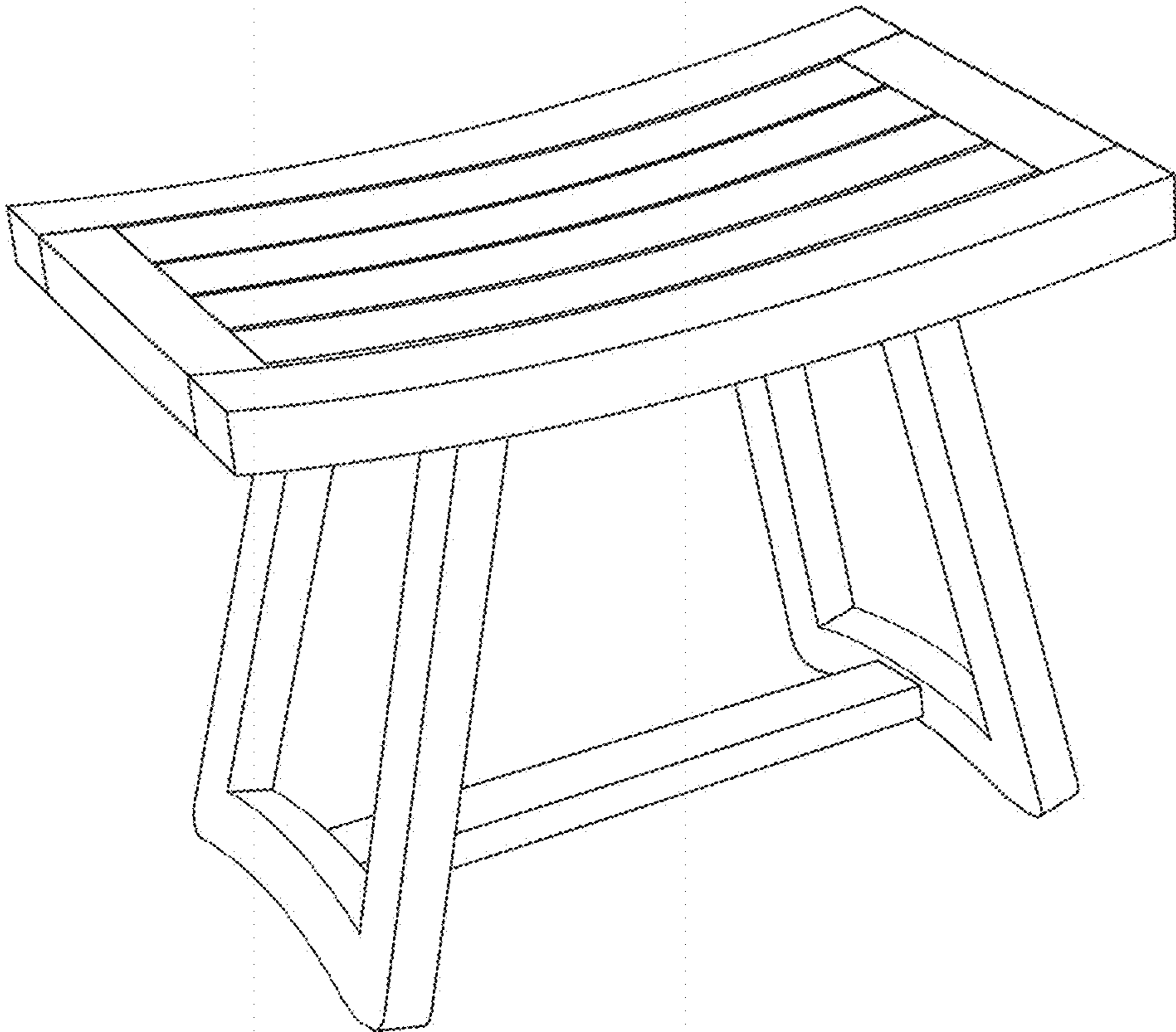


Fig. 1

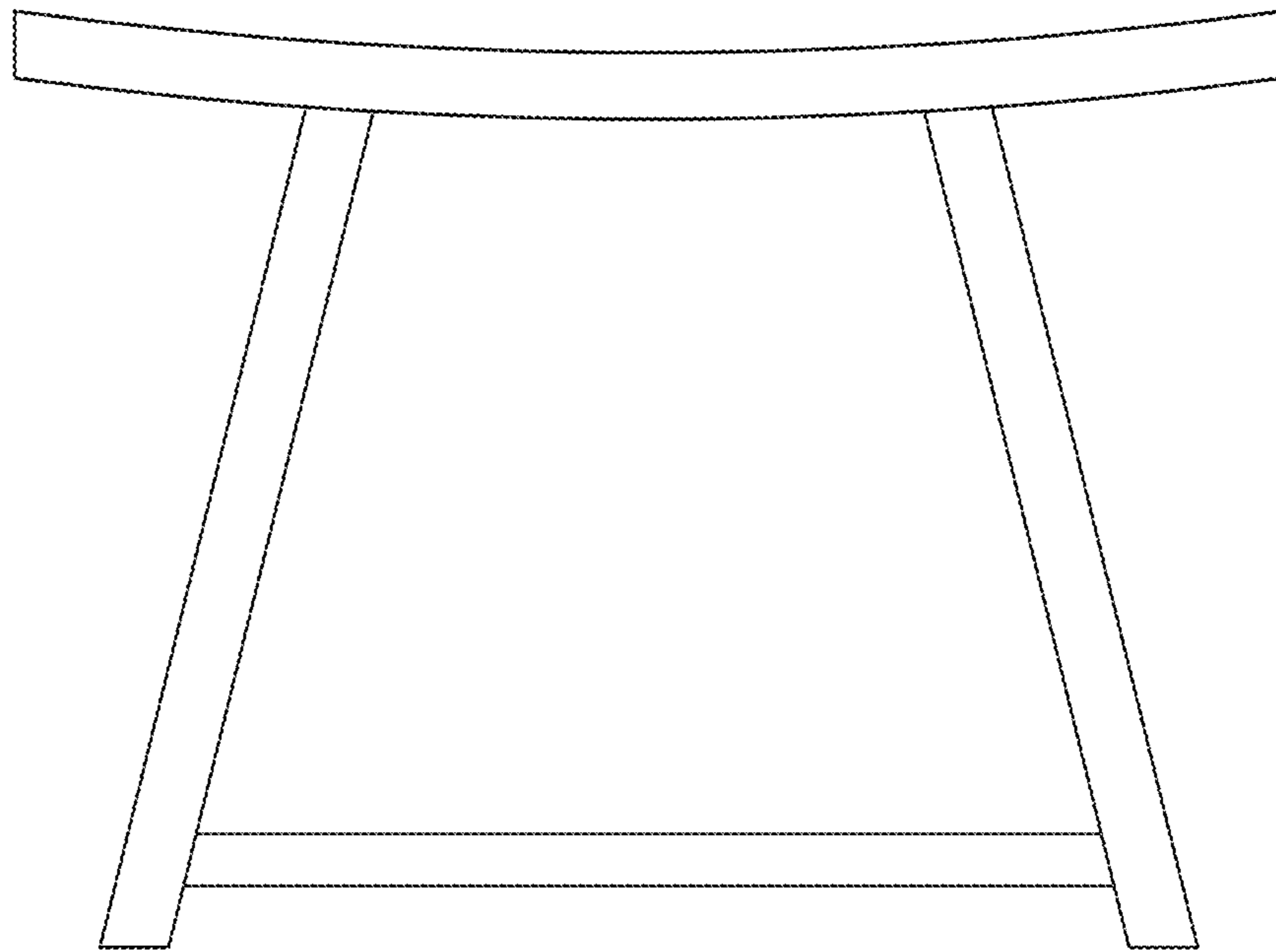


Fig. 2

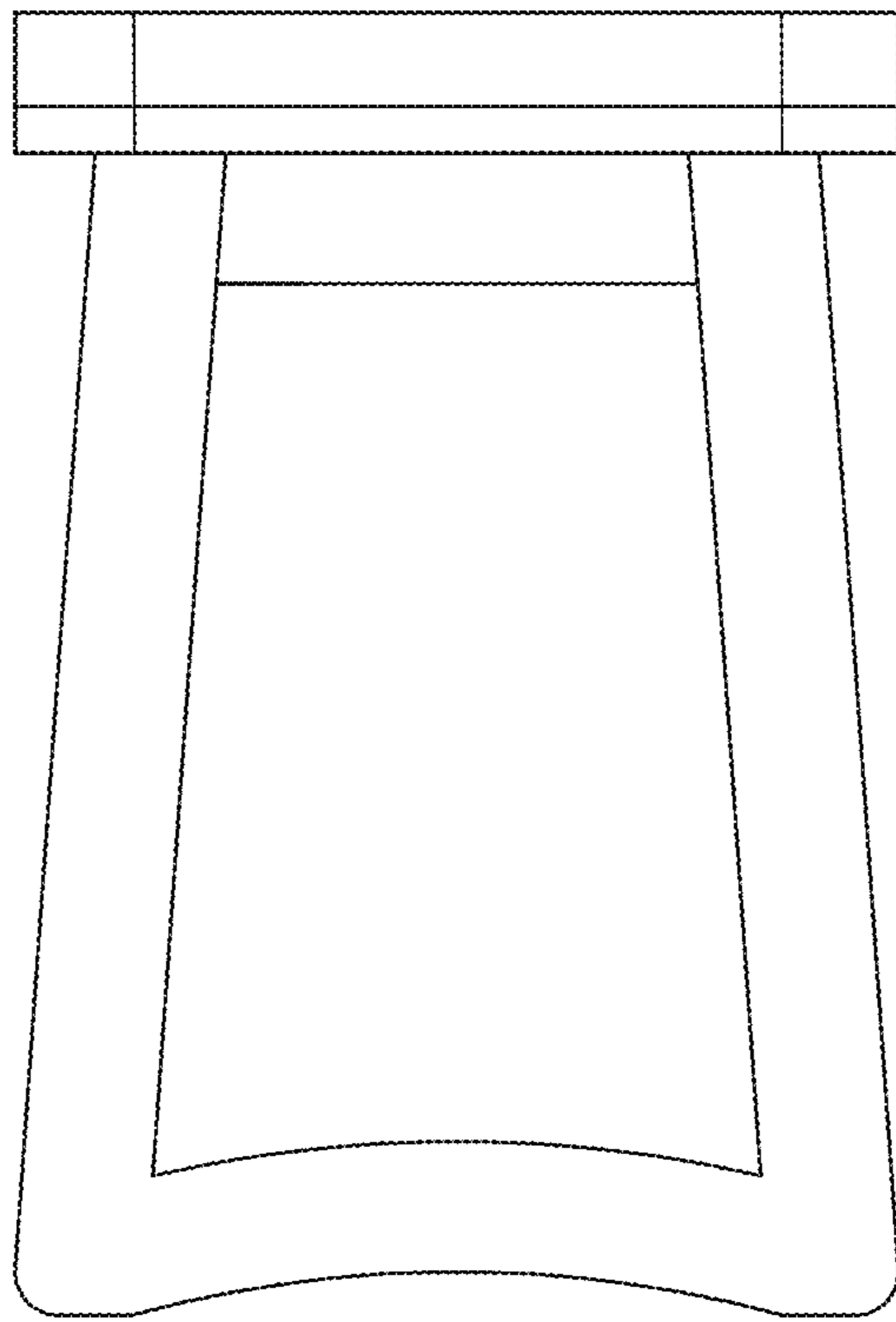


Fig. 3

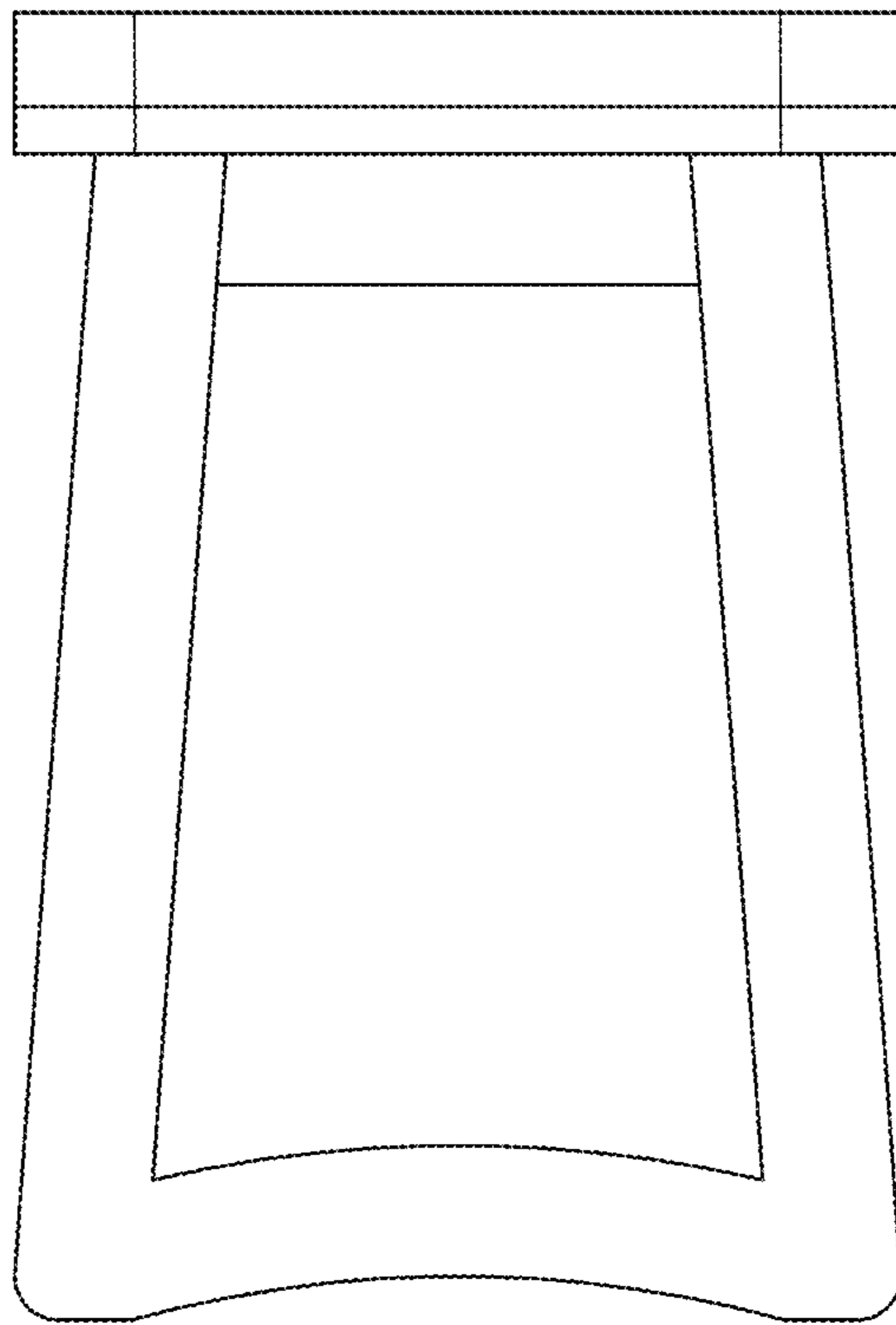


Fig. 4

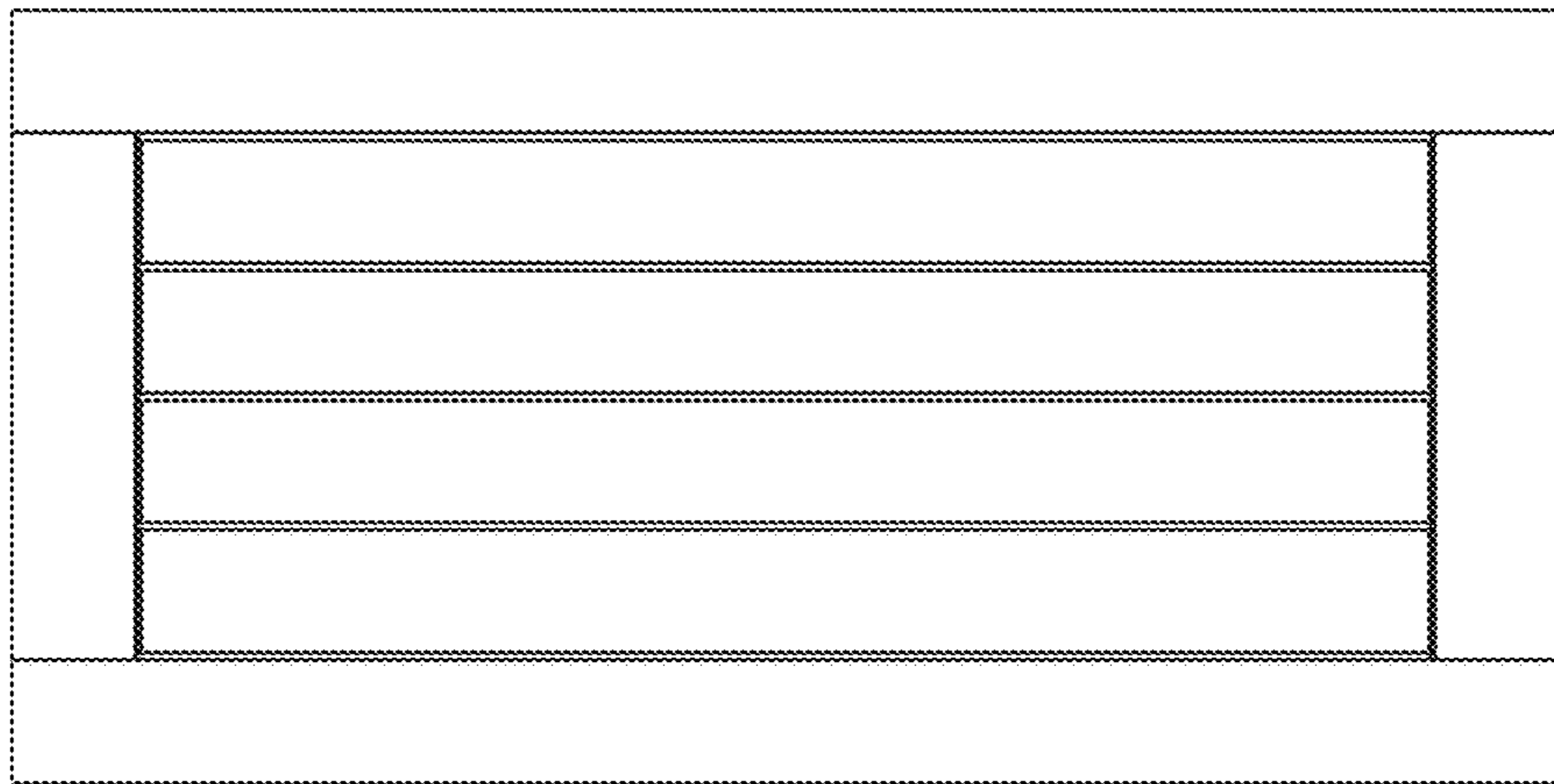


Fig. 5

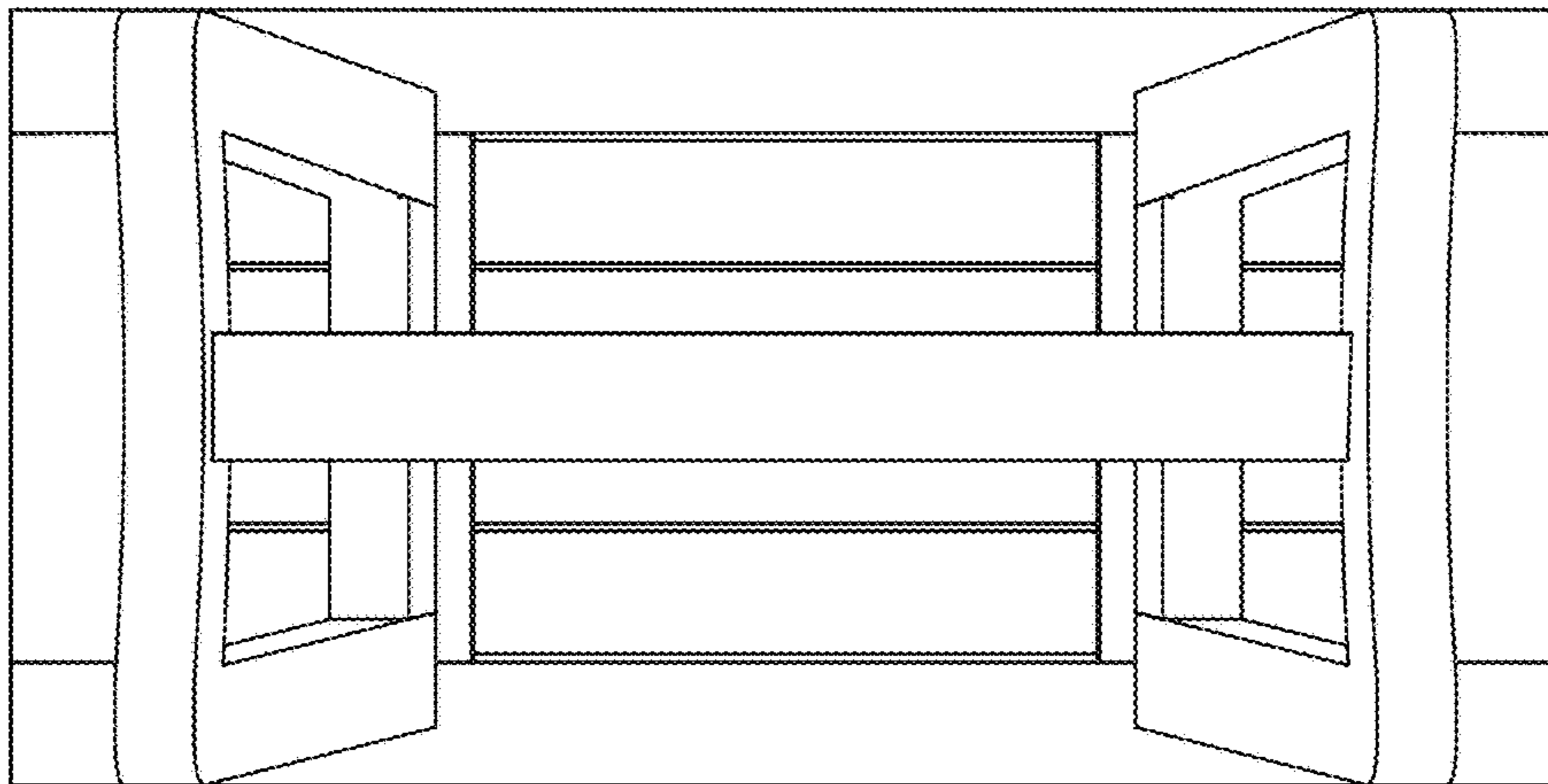


Fig. 6