



US00D780466S

(12) **United States Design Patent** (10) **Patent No.:** **US D780,466 S**
Jones (45) **Date of Patent:** **** Mar. 7, 2017**

(54) **GARMENT HANGER**

(71) Applicant: **MAINETTI GMBH**, Detmold (DE)

(72) Inventor: **Michael Edward Jones**, Ruthin (GB)

(**) Term: **15 Years**

(21) Appl. No.: **35/500,510**

(22) Filed: **Oct. 2, 2015**

(80) **Hague Agreement Data**

Int. Filing Date: **Oct. 2, 2015**

Int. Reg. No.: **DM/088882**

Int. Reg. Date: **Oct. 2, 2015**

Int. Reg. Pub. Date: **Jan. 22, 2016**

(30) **Foreign Application Priority Data**

Apr. 4, 2015 (GB) 4040265

Apr. 4, 2015 (GB) 4040266

Apr. 8, 2015 (GB) 4040268

(51) **LOC (10) Cl.** **06-08**

(52) **U.S. Cl.**
USPC **D6/326**

(58) **Field of Classification Search**
USPC D6/315, 317, 319, 320, 323, 325, 326
CPC A47G 25/14; A47G 25/1407; A47G 25/28
See application file for complete search history.

(56) **References Cited**

U.S. PATENT DOCUMENTS

D202,240 S * 9/1965 Bissonnette D6/318

D305,834 S * 2/1990 DeVito D6/326

D305,835 S * 2/1990 DeVito D6/326
5,509,587 A * 4/1996 Gouldson A47G 25/28
223/85
D565,308 S * 4/2008 Gouldson D6/319
D606,767 S * 12/2009 Warren D6/319
D628,820 S * 12/2010 Warren D6/326
D628,821 S * 12/2010 Warren D6/326

FOREIGN PATENT DOCUMENTS

WO DM/067 081 * 9/2006

* cited by examiner

Primary Examiner — Mary Ann Calabrese

(74) *Attorney, Agent, or Firm* — The Belles Group, P.C.

(57) **CLAIM**

I claim the ornamental design for garment hanger, as shown and described.

DESCRIPTION

1.1 is a perspective view of a garment hanger according to the present invention.

1.2 is a front view of the garment hanger of 1.1.

1.3 is a top view of the garment hanger of 1.1.

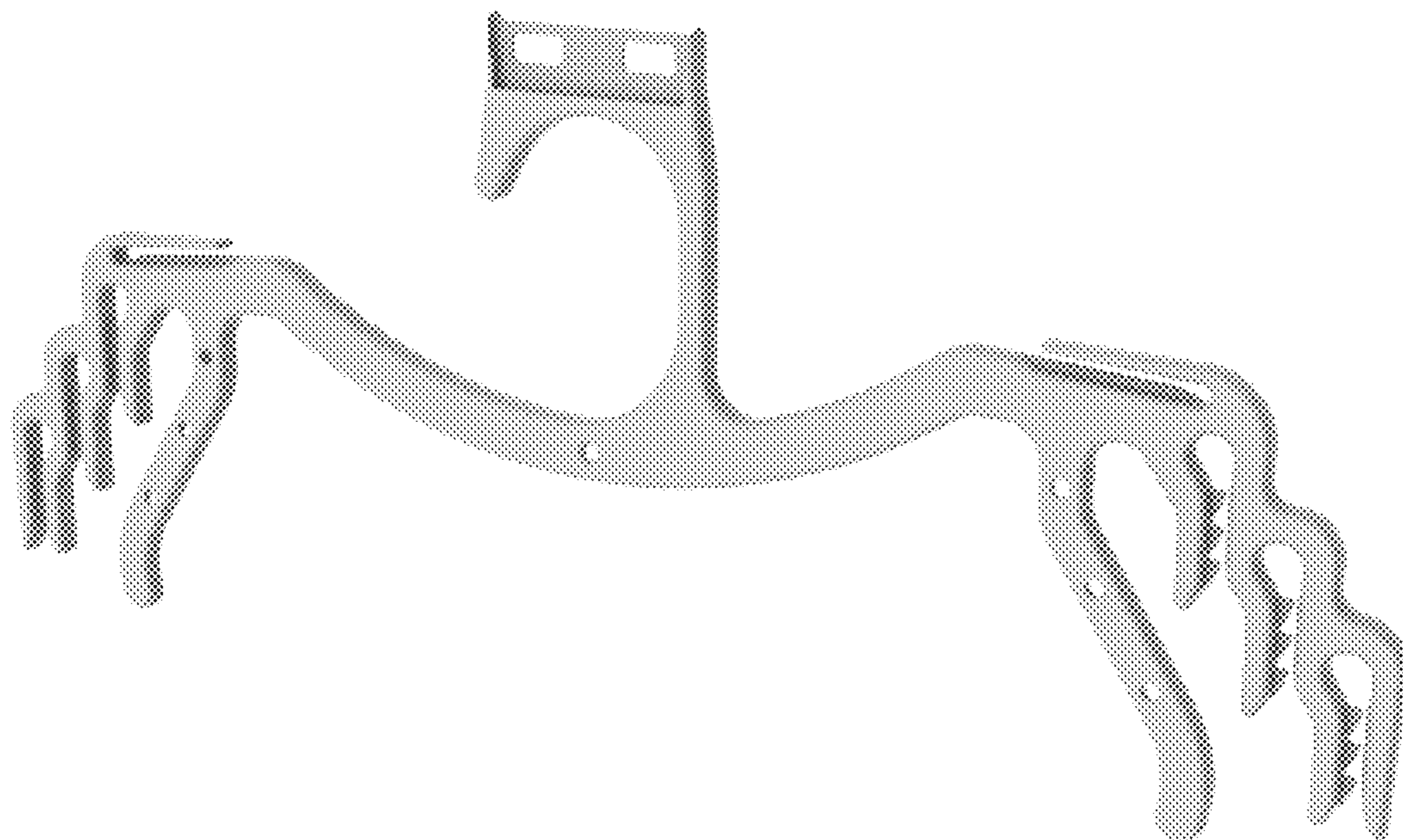
1.4 is a left-side view of the garment hanger of 1.1.

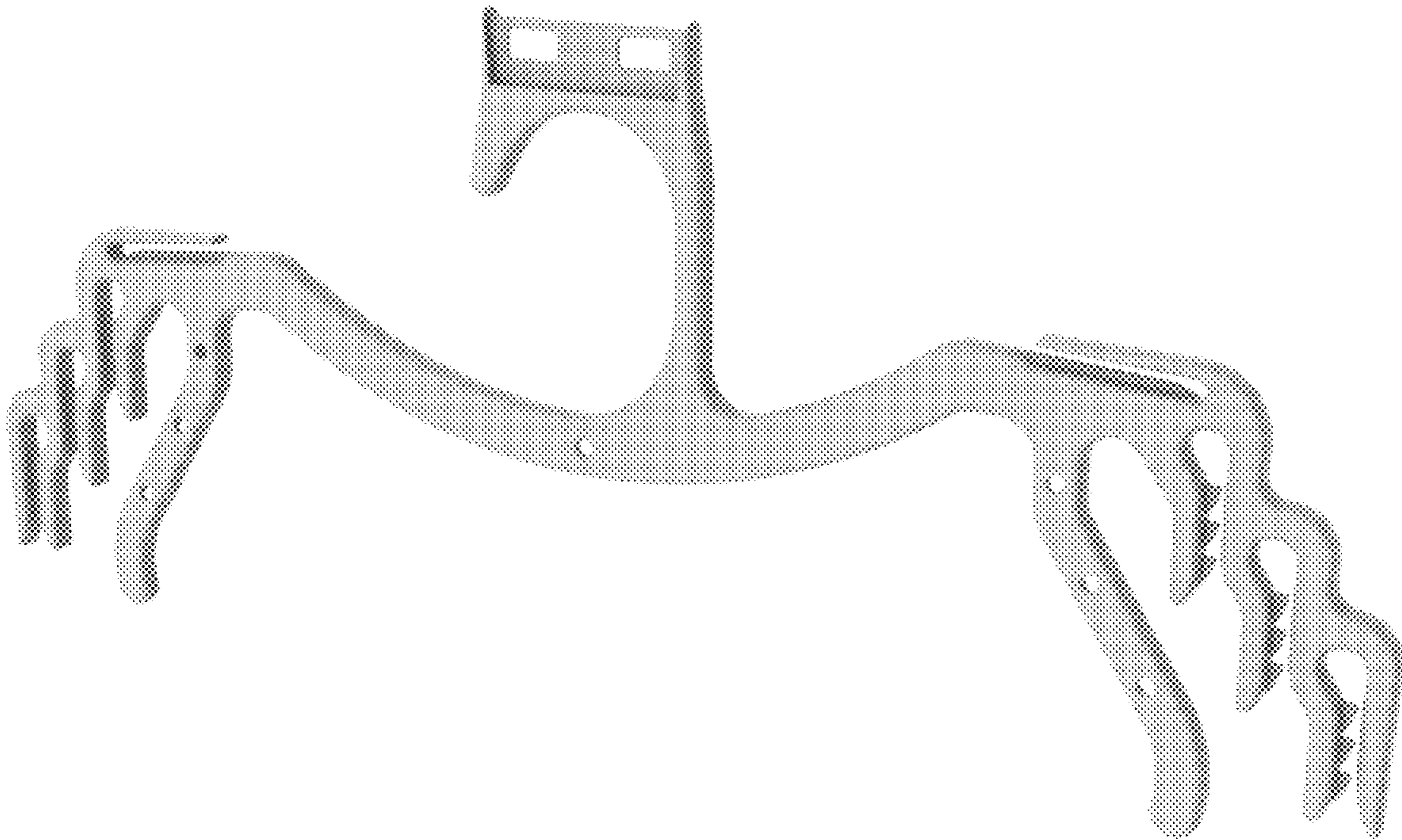
1.5 is a rear view the garment hanger of 1.1.

1.6 is a bottom view of the garment hanger of 1.1.

1.7 is a right-side view of the garment hanger of 1.1.

1 Claim, 7 Drawing Sheets





1.1



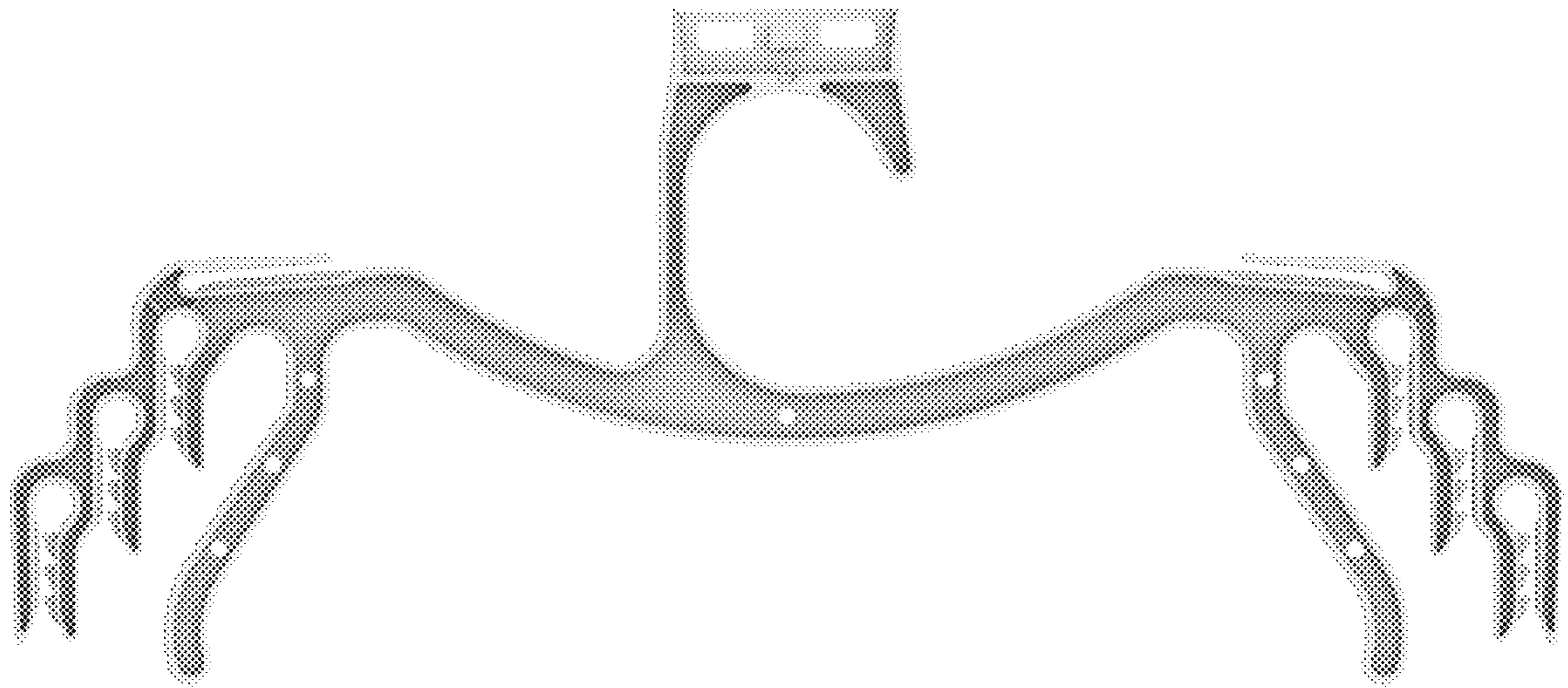
1.2



1.3



1.4



1.5



1.6



1.7