



US00D780465S

(12) **United States Design Patent**
Muller

(10) **Patent No.:** **US D780,465 S**
(45) **Date of Patent:** **** Mar. 7, 2017**

- (54) **D-SHAPED HANGER WITH COLLAR SUPPORT**
- (71) Applicant: **Rick Muller**, New York, NY (US)
- (72) Inventor: **Rick Muller**, New York, NY (US)
- (**) Term: **15 Years**
- (21) Appl. No.: **29/569,779**
- (22) Filed: **Jun. 30, 2016**

1,730,620	A *	10/1929	Montgomery	223/93
D159,532	S *	8/1950	Prager	D6/318
D204,578	S *	4/1966	Gingher	D6/319
D240,989	S *	8/1976	Bernstein	D6/318
D562,573	S *	2/2008	Herman	D6/315
D667,644	S *	9/2012	Wei	D6/318

* cited by examiner

Primary Examiner — Derrick Holland
Assistant Examiner — Lauren Calve
 (74) *Attorney, Agent, or Firm* — J. Curtis Edmondson;
 Law Offices of J. Curtis Edmondson

Related U.S. Application Data

- (63) Continuation-in-part of application No. 29/466,767, filed on Sep. 11, 2013, now abandoned.
- (51) **LOC (10) Cl.** **06-08**
- (52) **U.S. Cl.**
USPC **D6/319**
- (58) **Field of Classification Search**
USPC D6/315–328; 223/85–98; 211/10, 13.1, 211/85.2, 86.01, 87.01, 113
CPC A47G 25/26; A47G 25/28; A47G 25/14; A47G 25/442; A47G 25/743; A47G 25/4023; A47F 5/0006
See application file for complete search history.

(56) **References Cited**

U.S. PATENT DOCUMENTS

- 1,025,775 A * 5/1912 Ackerman et al. 223/88
- 1,553,140 A * 9/1925 Chidley 223/88

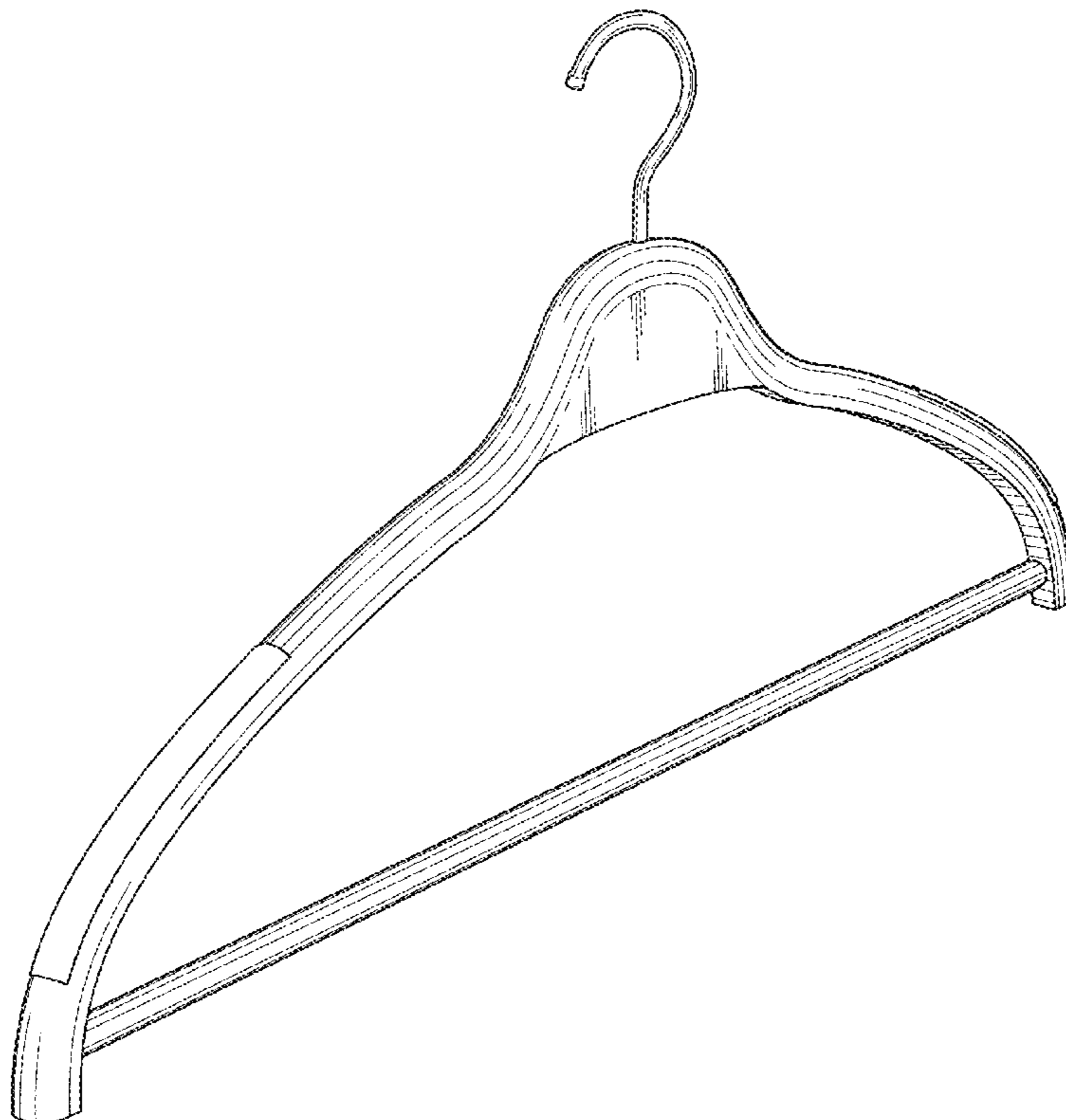
(57) **CLAIM**

I claim the ornamental design for a D-shaped hanger with collar support, as shown and described.

DESCRIPTION

FIG. 1 is a perspective view of a D-shaped hanger with collar support;
 FIG. 2 is a front side view thereof;
 FIG. 3 is a back side view thereof;
 FIG. 4 is a left side view thereof;
 FIG. 5 is a right side view thereof;
 FIG. 6 is a top view thereof; and,
 FIG. 7 is a bottom view thereof.

1 Claim, 6 Drawing Sheets



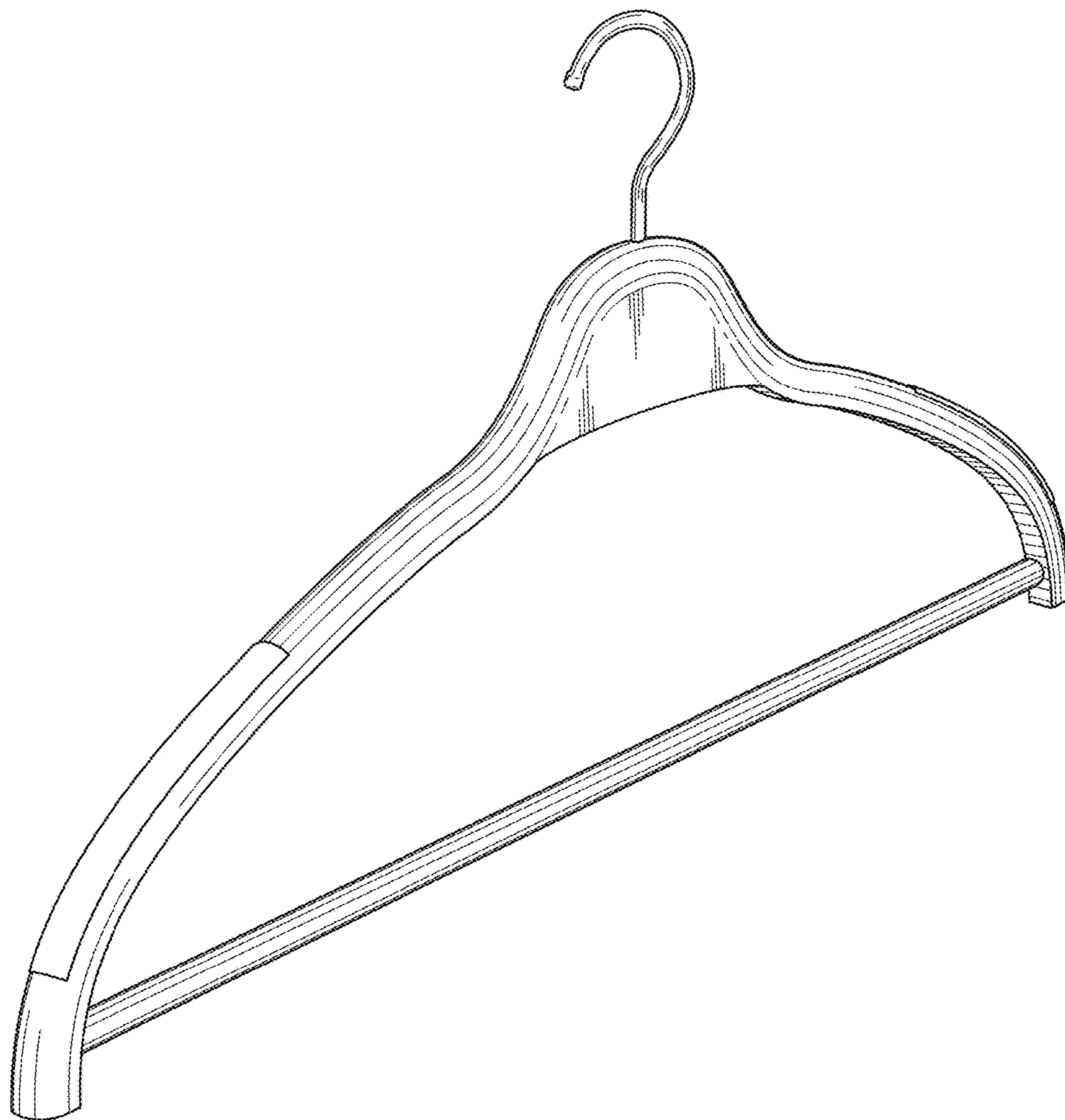


FIG. 1

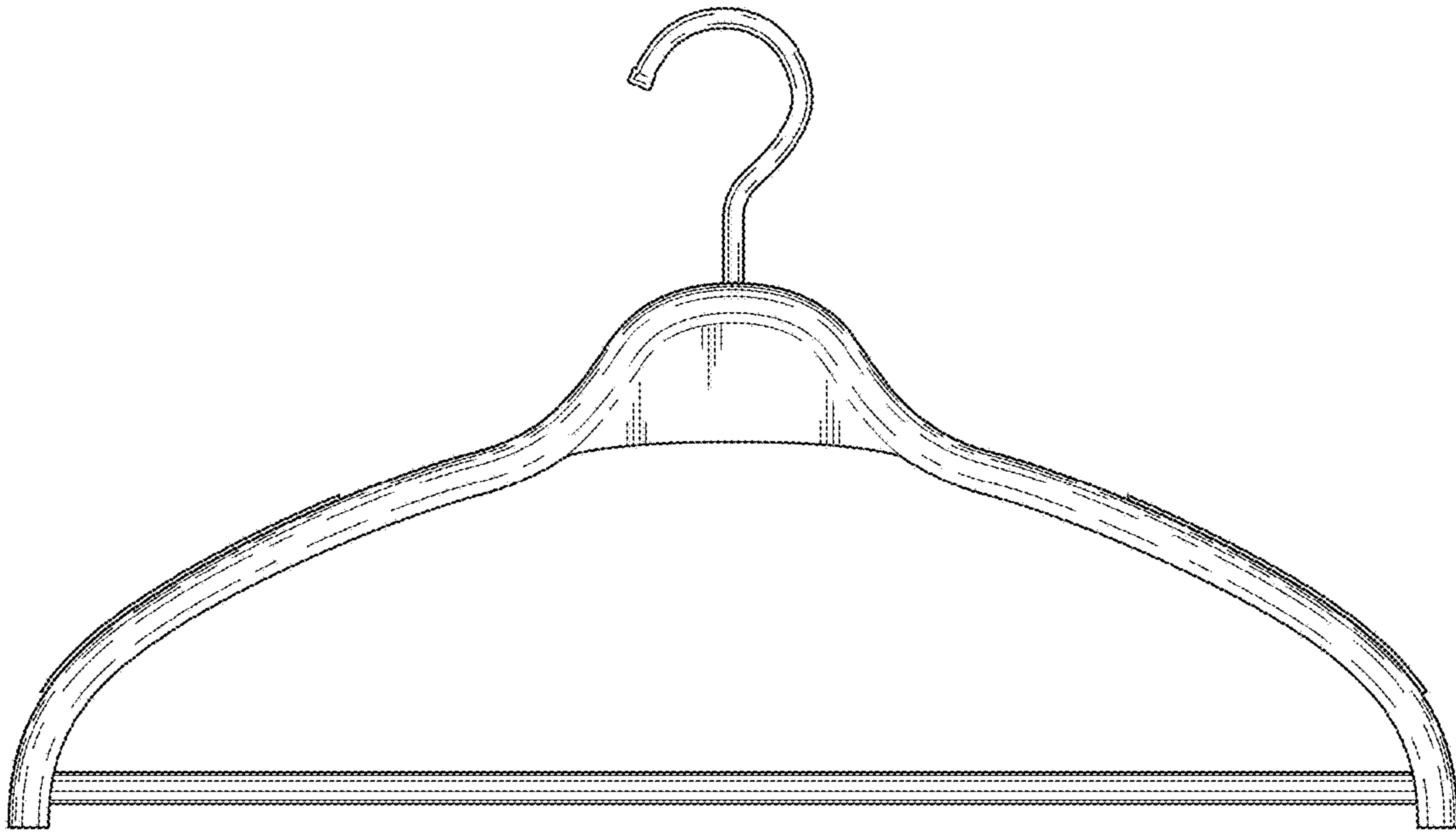


FIG. 2

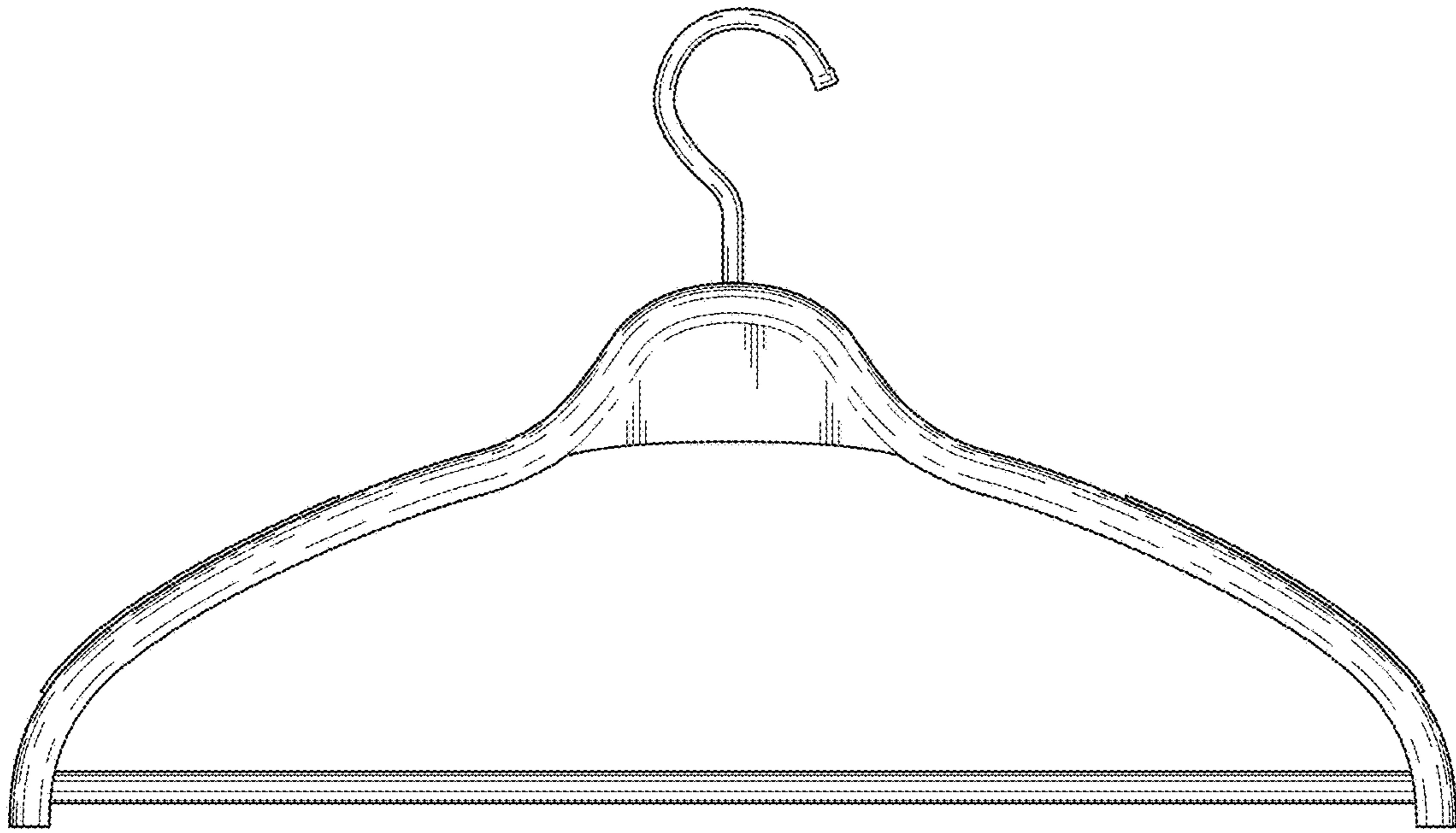


FIG. 3

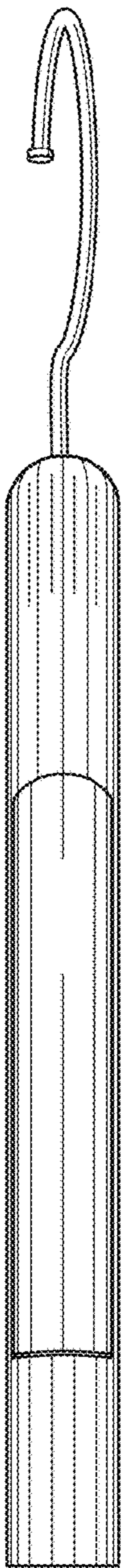


FIG. 4

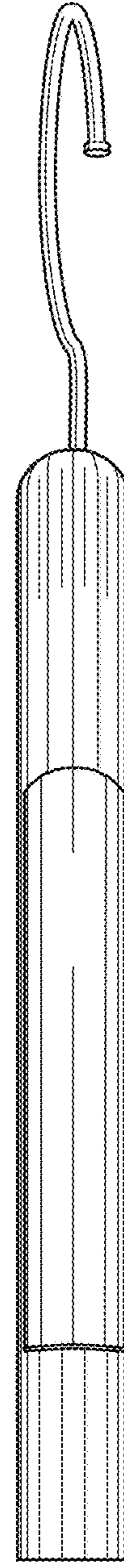


FIG. 5



FIG. 6



FIG. 7