



US00D780461S

(12) **United States Design Patent** (10) **Patent No.:** **US D780,461 S**  
**Metaxatos et al.** (45) **Date of Patent:** **\*\* Mar. 7, 2017**

(54) **COATING APPLICATOR**

(56) **References Cited**

- (71) Applicant: **The Sherwin-Williams Company**,  
Cleveland, OH (US)
- (72) Inventors: **Paul Metaxatos**, Swampscott, MA  
(US); **Steffen Koury**, Everett, MA (US)
- (73) Assignee: **The Sherwin-Williams Company**,  
Cleveland, OH (US)
- (\*\*) Term: **14 Years**
- (21) Appl. No.: **29/448,599**
- (22) Filed: **Mar. 13, 2013**

U.S. PATENT DOCUMENTS

D175,548	S	*	9/1955	Kane	.....	D4/114
3,756,733	A	*	9/1973	Glasa et al.	.....	401/259
3,879,141	A	*	4/1975	Shulman	.....	401/265
D267,886	S	*	2/1983	Albertini	.....	D19/43
D285,730	S	*	9/1986	Bulwick	.....	D28/7
5,480,250	A	*	1/1996	Birden	.....	401/199
5,674,104	A	*	10/1997	Ohashi et al.	.....	446/132
D419,776	S	*	2/2000	Frost et al.	.....	D4/114
D574,617	S	*	8/2008	Gamez et al.	.....	D4/114

FOREIGN PATENT DOCUMENTS

EP 2322052 A2 \* 5/2011

\* cited by examiner

*Primary Examiner* — Manpreet Matharu

*Assistant Examiner* — Aula Soroush

(74) *Attorney, Agent, or Firm* — Daniel A. Sherwin;  
James C. Scott; Peter T. Nguyen

(57) **CLAIM**

The ornamental design for a coating applicator, as shown and described.

**DESCRIPTION**

FIG. 1 is a perspective view of a coating applicator showing our new design;  
FIG. 2 is a side view thereof;  
FIG. 3 is a top plan view thereof; and,  
FIG. 4 is a bottom plan view thereof.  
The broken lines in the drawings illustrate portions of the coating applicator that form no part of the claimed design.

**Related U.S. Application Data**

(63) Continuation of application No. 13/416,501, filed on Mar. 9, 2012.

(51) **LOC (10) Cl.** ..... **04-01**

(52) **U.S. Cl.**  
USPC ..... **D4/114**

(58) **Field of Classification Search**

USPC ..... D4/114, 121; D19/115, 116, 118, 179,  
D19/183, 184, 186; 401/23, 27, 141, 142,  
401/183, 184, 196, 198, 205, 206,  
401/258–260  
CPC ..... B05C 1/00; B05C 17/00; B05C 17/10;  
B43K 1/00; B43K 1/006; B43K 8/00;  
B43K 8/02; B43K 8/022; B43K 8/024;  
B43K 8/026

See application file for complete search history.

**1 Claim, 1 Drawing Sheet**

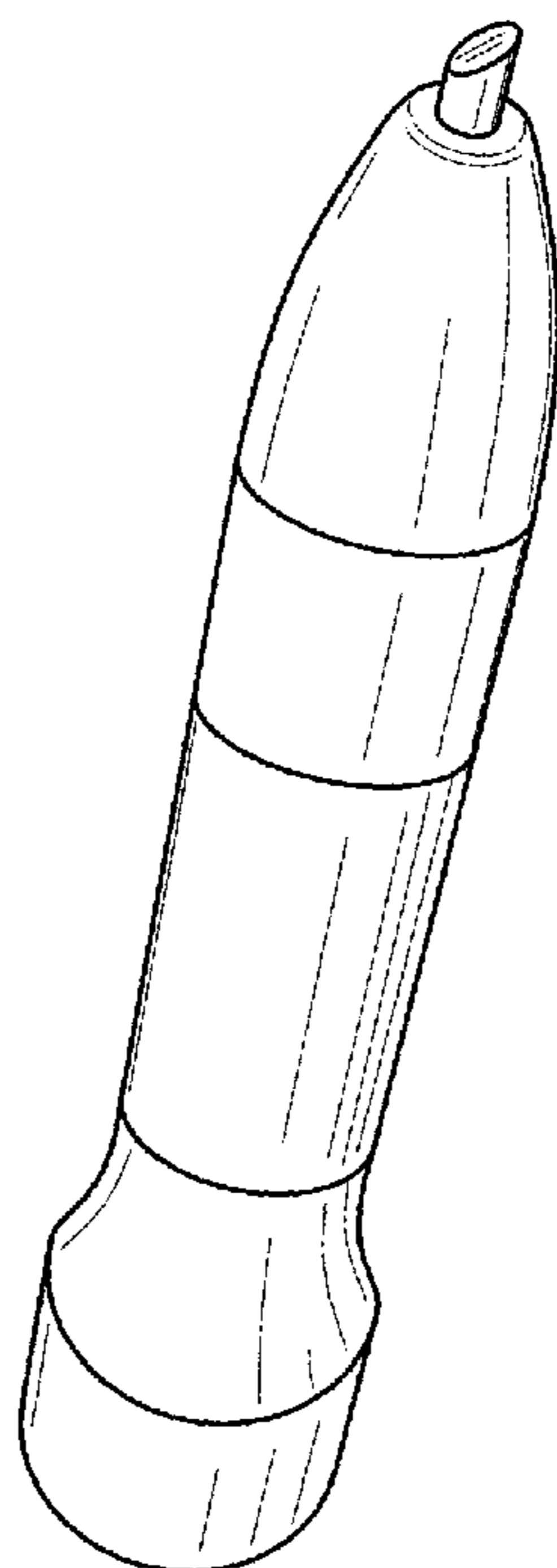


FIG. 1

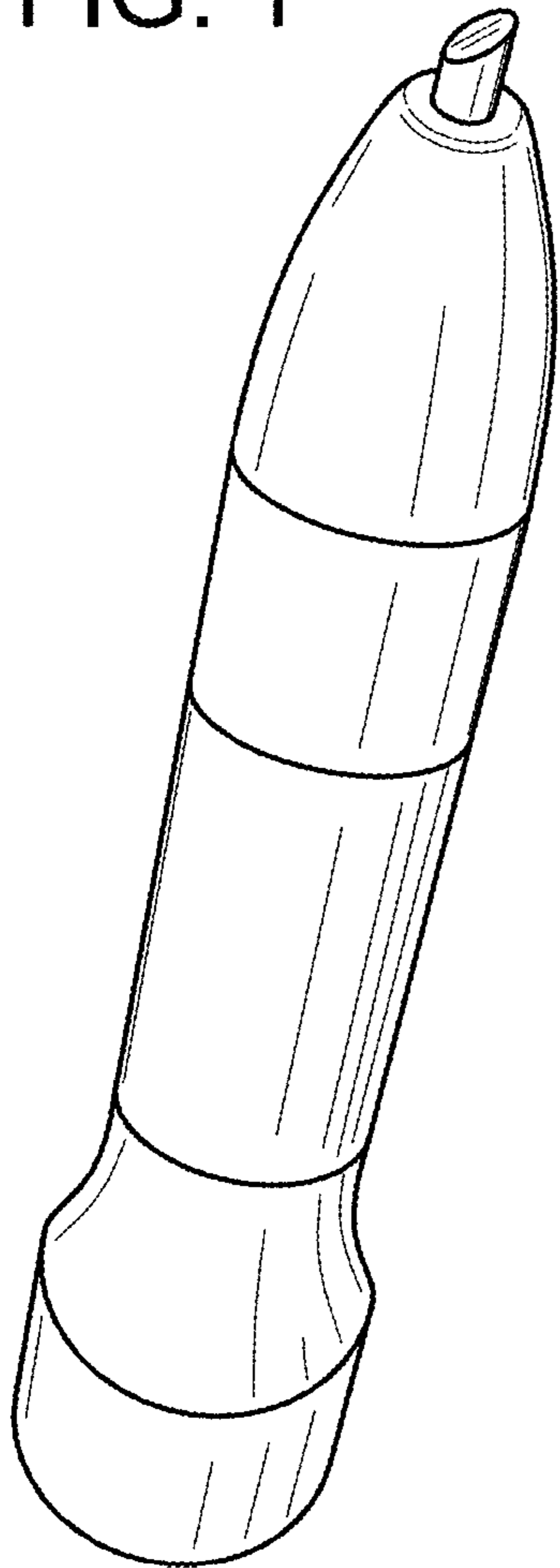


FIG. 3

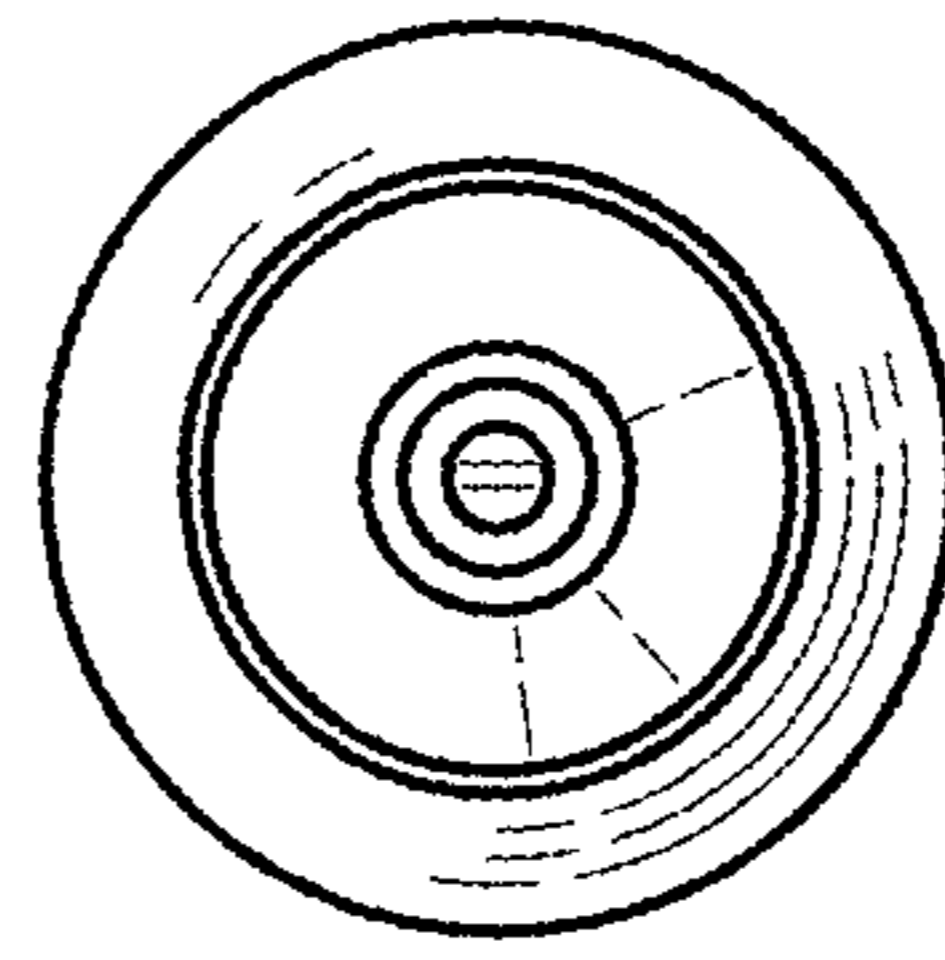


FIG. 2

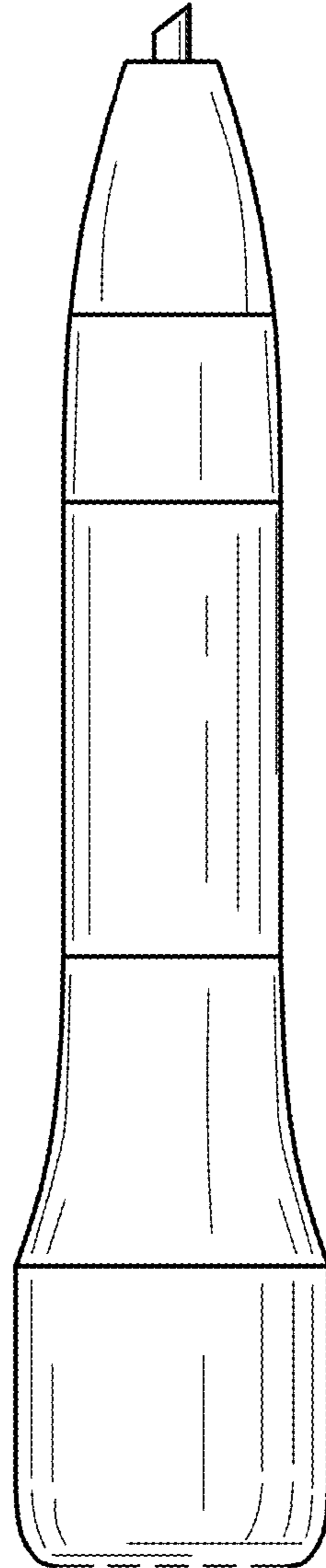


FIG. 4

