



US00D780452S

(12) **United States Design Patent**  
**Stratton et al.**

(10) **Patent No.:** **US D780,452 S**  
(45) **Date of Patent:** **\*\* Mar. 7, 2017**

- (54) **TRANSFORMABLE TRAY**
- (71) Applicant: **United States Postal Service,**  
Washington, DC (US)
- (72) Inventors: **Christopher M. Stratton,** Springfield,  
VA (US); **Gregory J. Smith,** Arlington,  
VA (US); **Thomas C. Potter,** Oak Hill,  
VA (US)
- (73) Assignee: **United States Postal Service,**  
Washington, DC (US)

D452,820 S *	1/2002	Hacker	.....	D9/456
D453,995 S *	3/2002	Slight	.....	D3/304
D610,001 S *	2/2010	McAlpine	.....	D3/297
D631,561 S *	1/2011	Luciano	.....	D25/68
D750,892 S *	3/2016	Rego	.....	D3/305
9,302,811 B2 *	4/2016	Orgeldinger	.....	B65D 21/083
2004/0222222 A1 *	11/2004	Parnall	.....	B65D 11/1833 220/6

(Continued)

*Primary Examiner* — Kelley Donnelly

(74) *Attorney, Agent, or Firm* — Knobbe Martens Olson  
& Bear LLP

- (\*\*) Term: **15 Years**
- (21) Appl. No.: **29/540,955**
- (22) Filed: **Sep. 29, 2015**
- (51) **LOC (10) Cl.** ..... **03-01**
- (52) **U.S. Cl.**  
USPC ..... **D3/305**
- (58) **Field of Classification Search**  
USPC ..... D6/672, 675; D3/304–305, 308, 313;  
D19/75–78, 86; D9/424–425  
CPC ..... B65D 5/326; B65D 5/327; B65D 1/22;  
B65D 1/225; B65D 25/00; B65D 25/06  
See application file for complete search history.

(57) **CLAIM**

The ornamental design for a transformable tray, as shown  
and described.

**DESCRIPTION**

FIG. 1 is a perspective view of a transformable tray with a bottom portion in a first position in accordance with the present invention.

FIG. 2 is a front view of the transformable tray of FIG. 1.

FIG. 3 is a back view of the transformable tray of FIG. 1.

FIG. 4 is a right side view of the transformable tray of FIG. 1.

FIG. 5 is a left side view of the transformable tray of FIG. 1.

FIG. 6 is a top view of the transformable tray of FIG. 1.

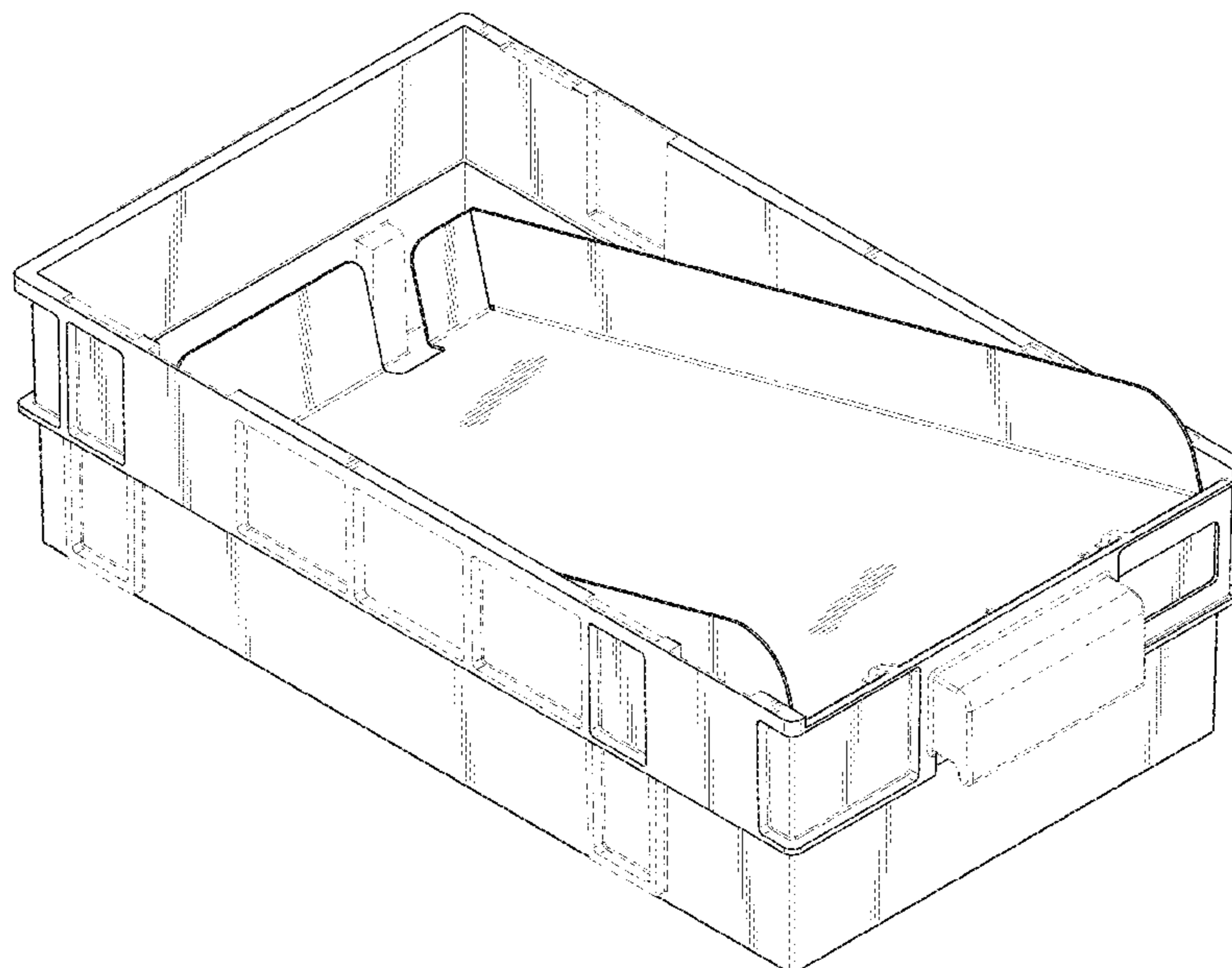
FIG. 7 is a bottom view of the transformable tray of FIG. 1; and,

FIG. 8 is a perspective view of the transformable tray of FIG. 1 with the bottom portion in a second position.

The broken lines showing is included for the purpose of illustrating environment and forms no part of the claimed design.

- (56) **References Cited**  
U.S. PATENT DOCUMENTS
- 4,014,458 A \* 3/1977 Berges ..... B65D 7/12  
220/1.5
- 4,044,910 A \* 8/1977 Box ..... B65D 11/1833  
217/15
- D292,743 S \* 11/1987 Hung ..... 206/832
- 5,161,709 A \* 11/1992 Oestreich, Jr. .... B65D 19/12  
220/1.5
- 5,289,935 A \* 3/1994 Hillis ..... B65D 19/18  
220/1.5

**1 Claim, 8 Drawing Sheets**



(56)

**References Cited**

U.S. PATENT DOCUMENTS

2006/0138130 A1\* 6/2006 Orgeldinger ..... B65D 21/083  
220/4.03

\* cited by examiner

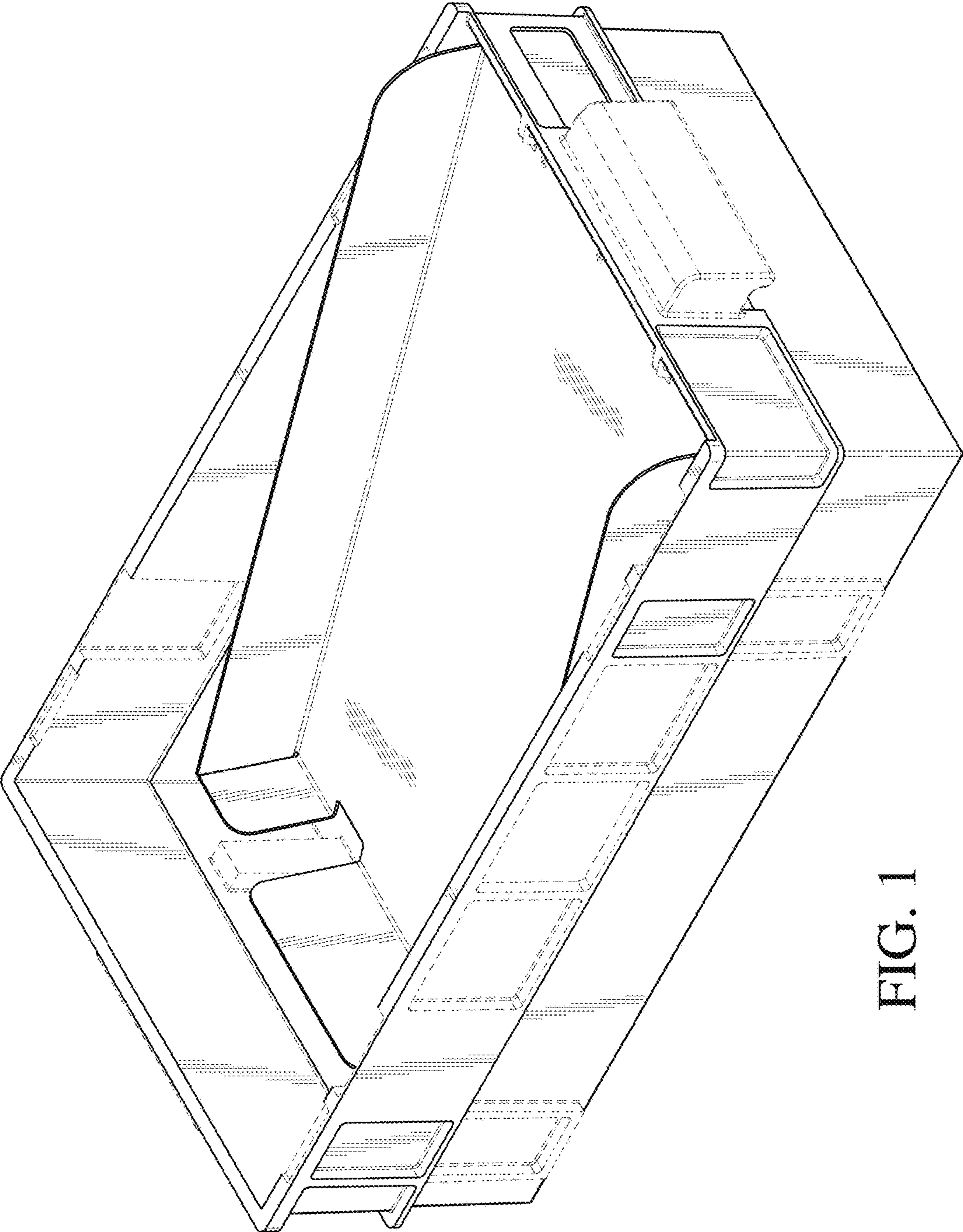


FIG. 1

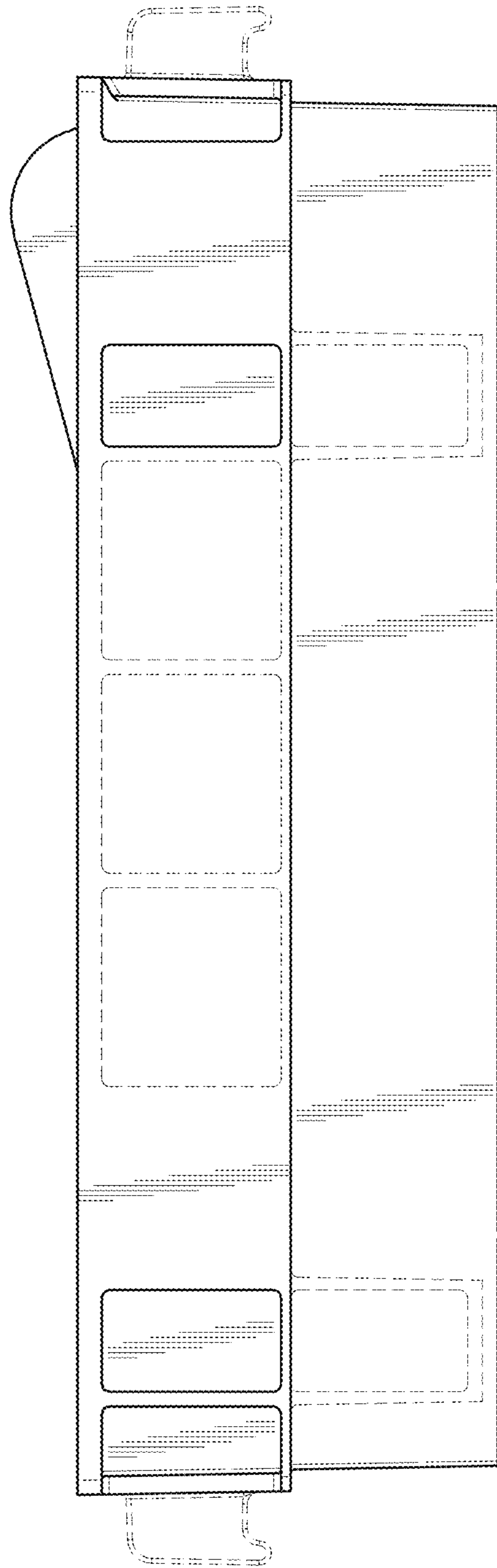


FIG. 2

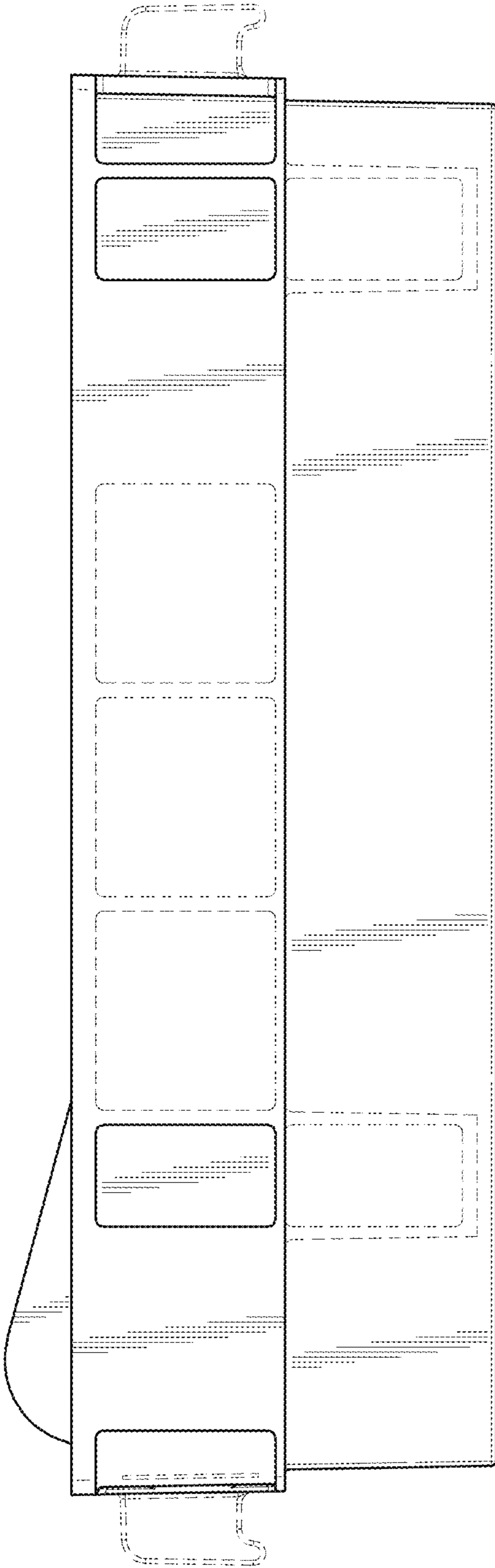


FIG. 3

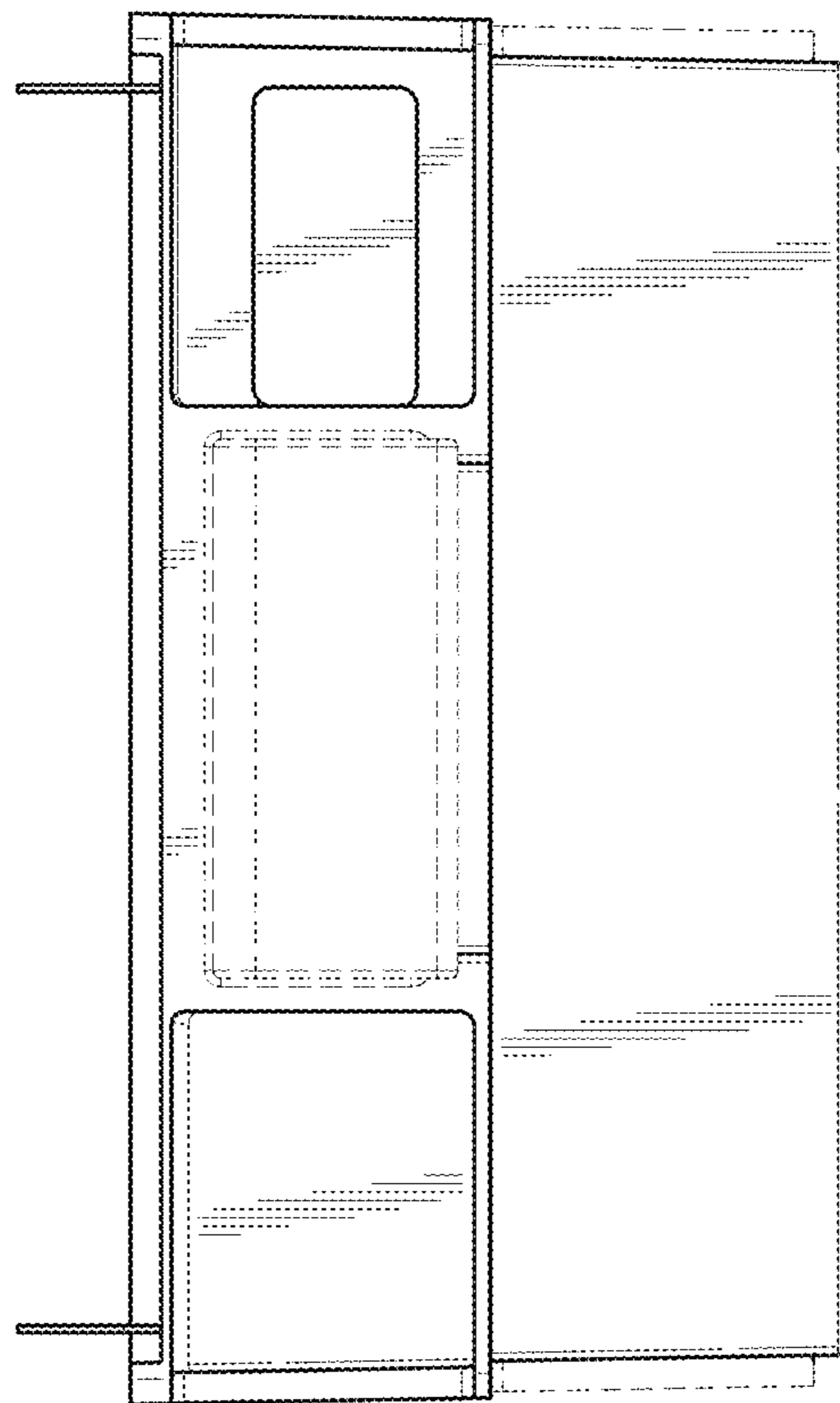


FIG. 4

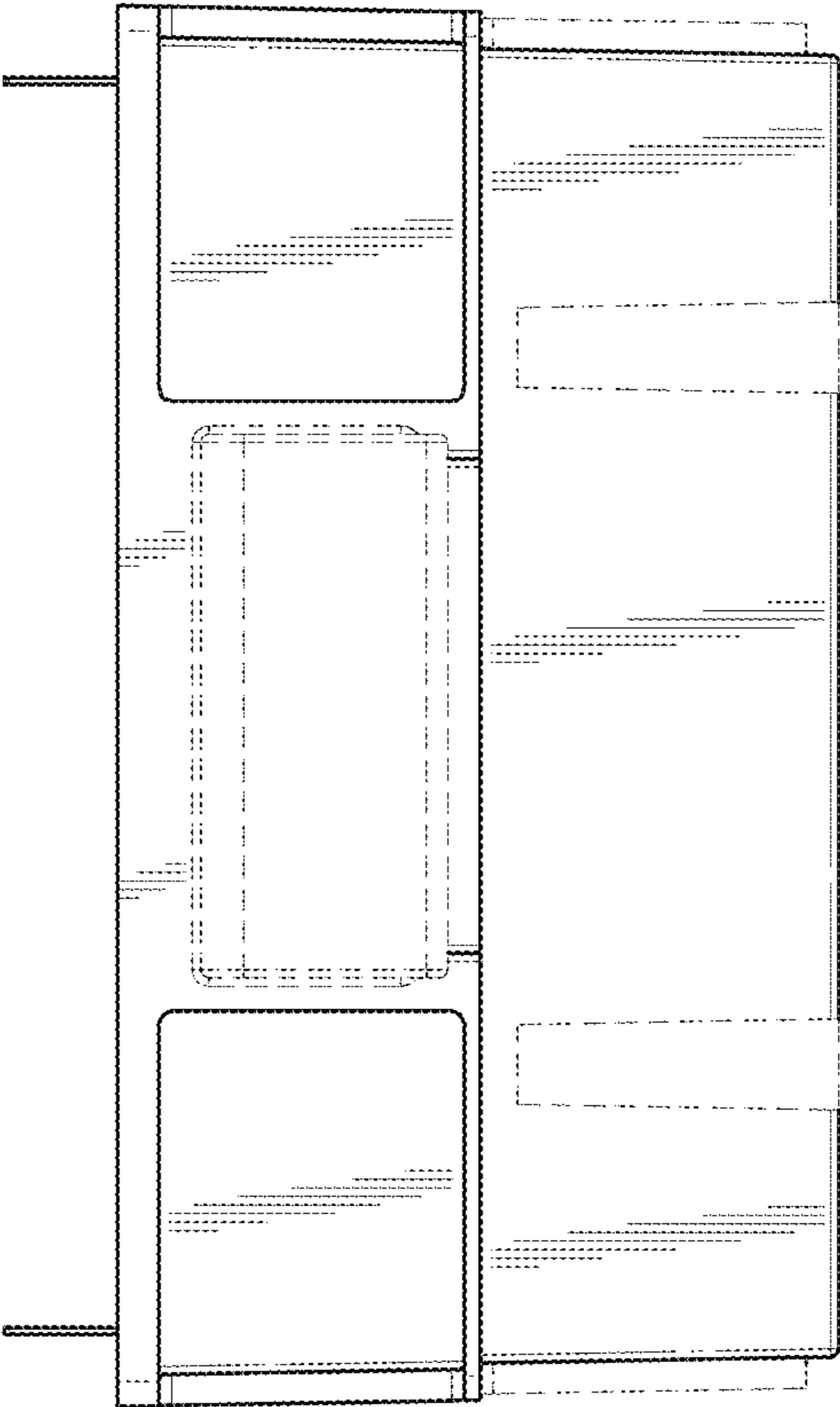


FIG. 5

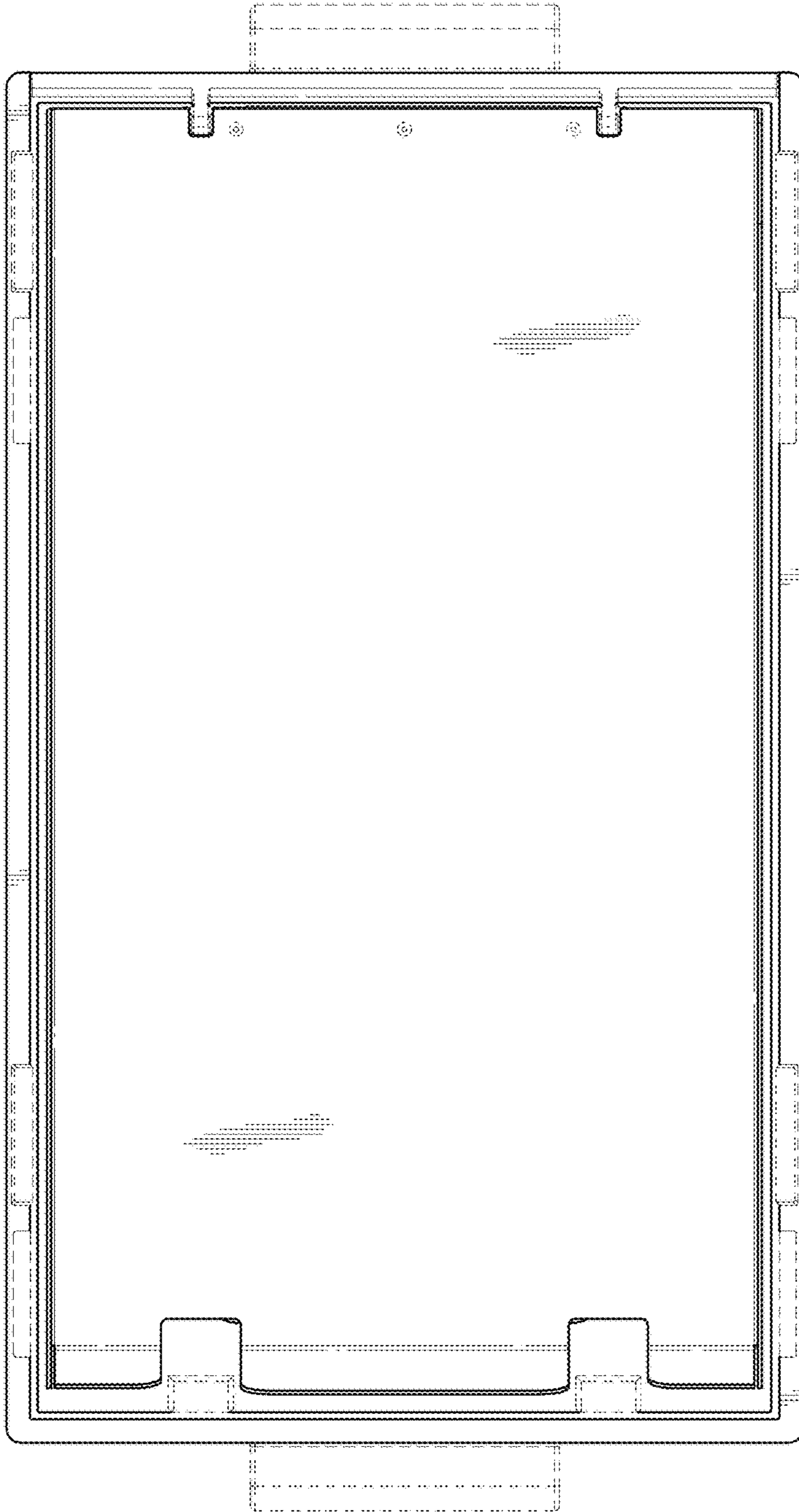


FIG. 6



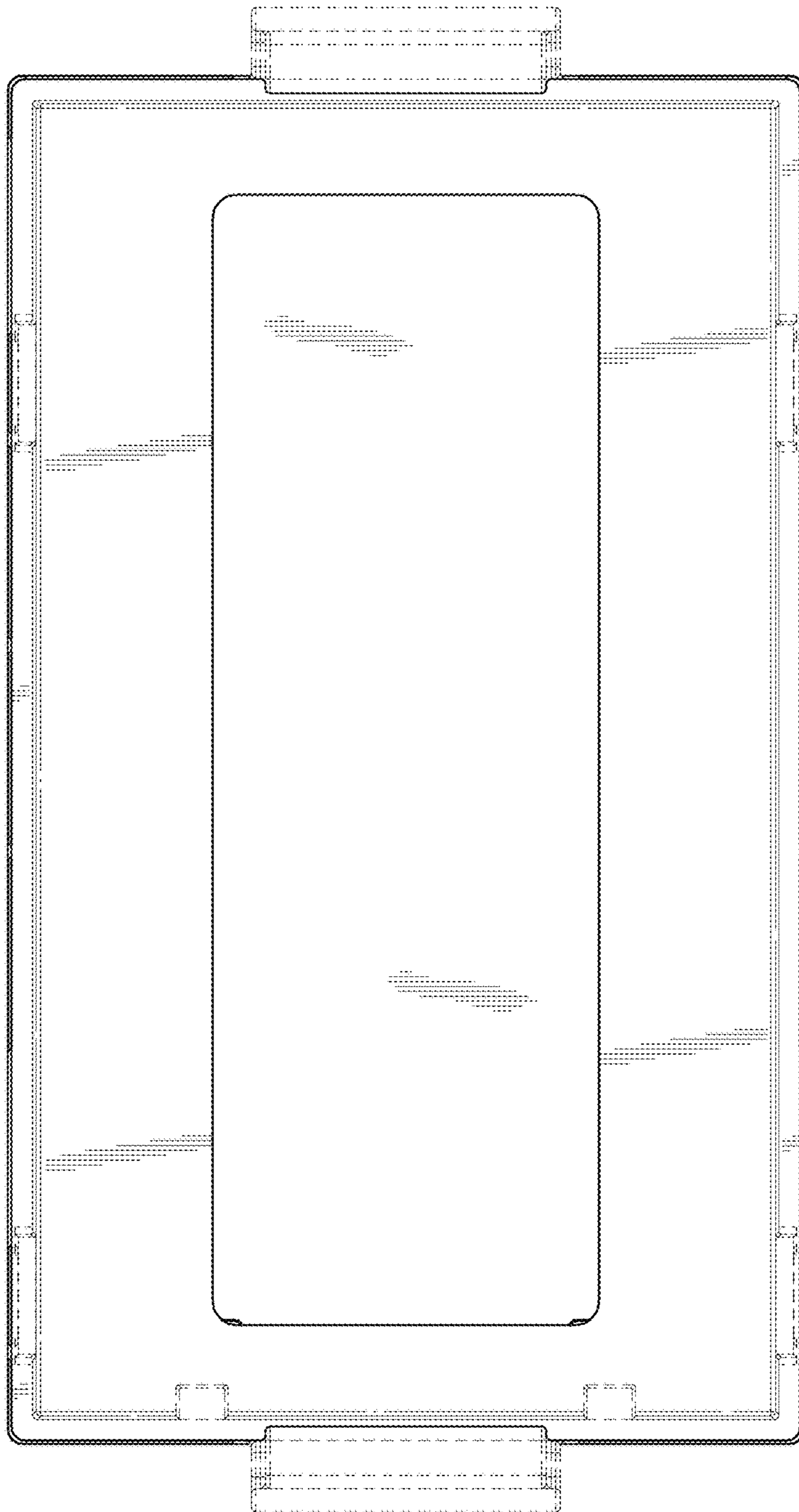


FIG. 7

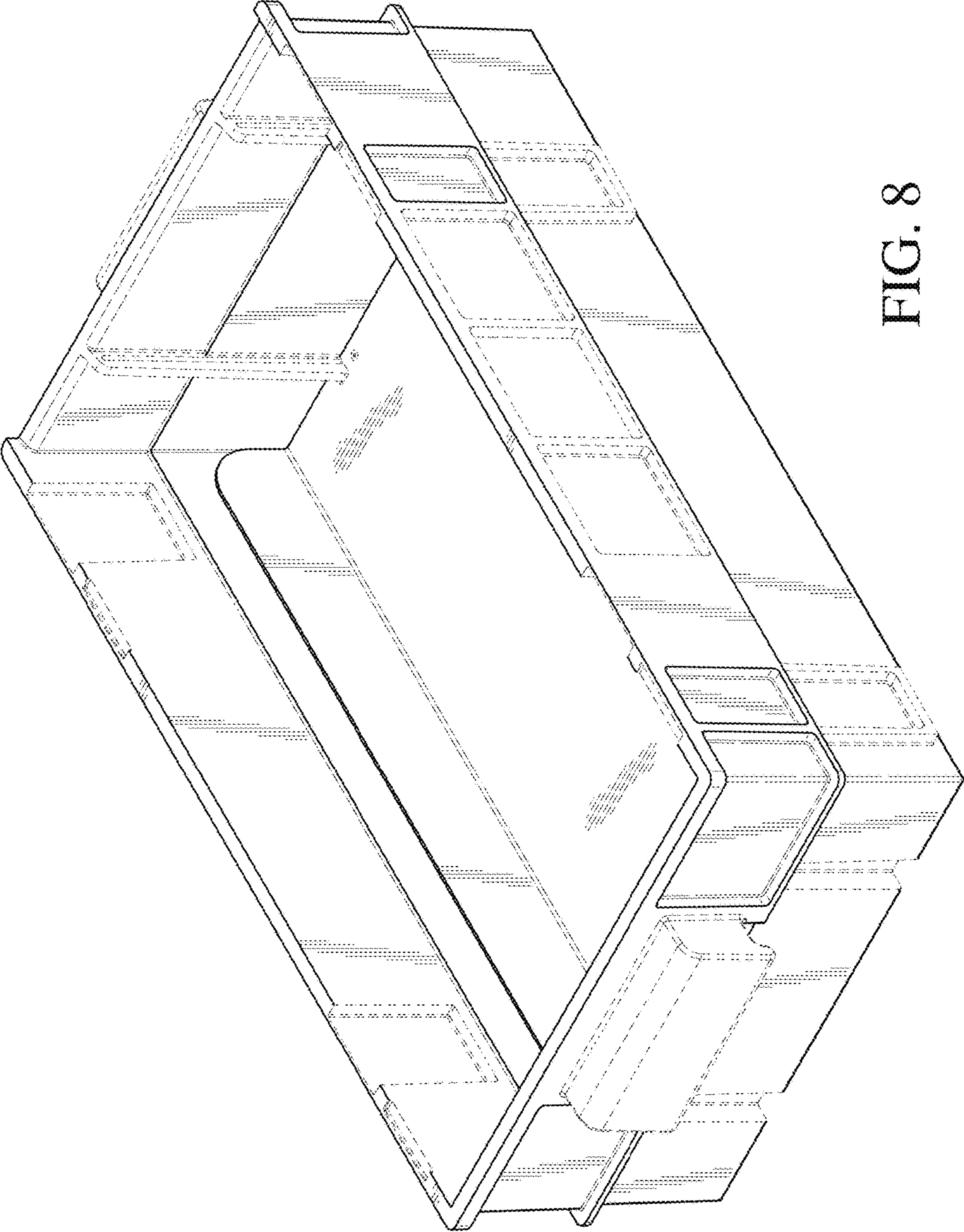


FIG. 8