



US00D780450S

(12) **United States Design Patent** (10) **Patent No.:** **US D780,450 S**
Aoki (45) **Date of Patent:** **** Mar. 7, 2017**

(54) **CARRYING CASE**
(71) Applicant: **KABUSHIKI KAISHA TOPCON,**
Tokyo (JP)
(72) Inventor: **Takeo Aoki,** Tokyo (JP)
(73) Assignee: **KABUSHIKI KAISHA TOPCON,**
Tokyo (JP)

D703,953 S * 5/2014 Jusic D3/294
D711,105 S * 8/2014 Brunner D3/281
D717,048 S * 11/2014 Meng D3/294
D724,842 S * 3/2015 Whalen D3/294
D734,945 S * 7/2015 Morrison D3/282
D768,384 S * 10/2016 Seale D3/282
D771,382 S * 11/2016 Maeda D3/279
2016/0008973 A1 * 1/2016 Bensman B65D 43/16
206/372

(**) Term: **15 Years**
(21) Appl. No.: **29/538,012**
(22) Filed: **Aug. 31, 2015**

(30) **Foreign Application Priority Data**
Jun. 10, 2015 (JP) 2015-012924
(51) **LOC (10) Cl.** **03-01**
(52) **U.S. Cl.**
USPC **D3/276; D3/905**
(58) **Field of Classification Search**
USPC D3/905, 276, 279-284, 291, 294, 295,
D3/298, 901, 302, 272, 273, 274, 903,
D3/217
CPC . B25H 3/02-3/028; B25H 3/00; B25H 3/003;
B25H 3/006; B65D 21/0209; A45C 5/00;
A45C 13/29
See application file for complete search history.

(56) **References Cited**
U.S. PATENT DOCUMENTS
D369,240 S * 4/1996 Newby, Sr. D3/263
D413,202 S * 8/1999 Schmitt D3/276
D548,968 S * 8/2007 Brown D3/282
D621,615 S * 8/2010 Stern D3/282
D660,440 S * 5/2012 Roehrig D24/194

OTHER PUBLICATIONS

Zenith, "Leica GDZ66 Container Back Straps", Accessed Dec. 2, 2016. (<https://www.zenithsurvey.co.uk/product/leica-gdz66-container-back-straps/>).*

* cited by examiner

Primary Examiner — Jennifer Rivard
Assistant Examiner — April Rivas
(74) *Attorney, Agent, or Firm* — Oliff PLC

(57) **CLAIM**

The ornamental design for a carrying case, as shown and described.

DESCRIPTION

FIG. 1 is a front elevational view of the carrying case; FIG. 2 is a rear elevational view thereof; FIG. 3 is a left-side elevational view thereof; FIG. 4 is a right-side elevational view thereof; FIG. 5 is a top plan view thereof; FIG. 6 is a bottom plan view thereof; FIG. 7 is a front, left-side, top perspective view thereof; and, FIG. 8 is a rear, right-side, top perspective view thereof. The broken lines illustrate portions of the carrying case that form no part of the claimed design.

1 Claim, 7 Drawing Sheets



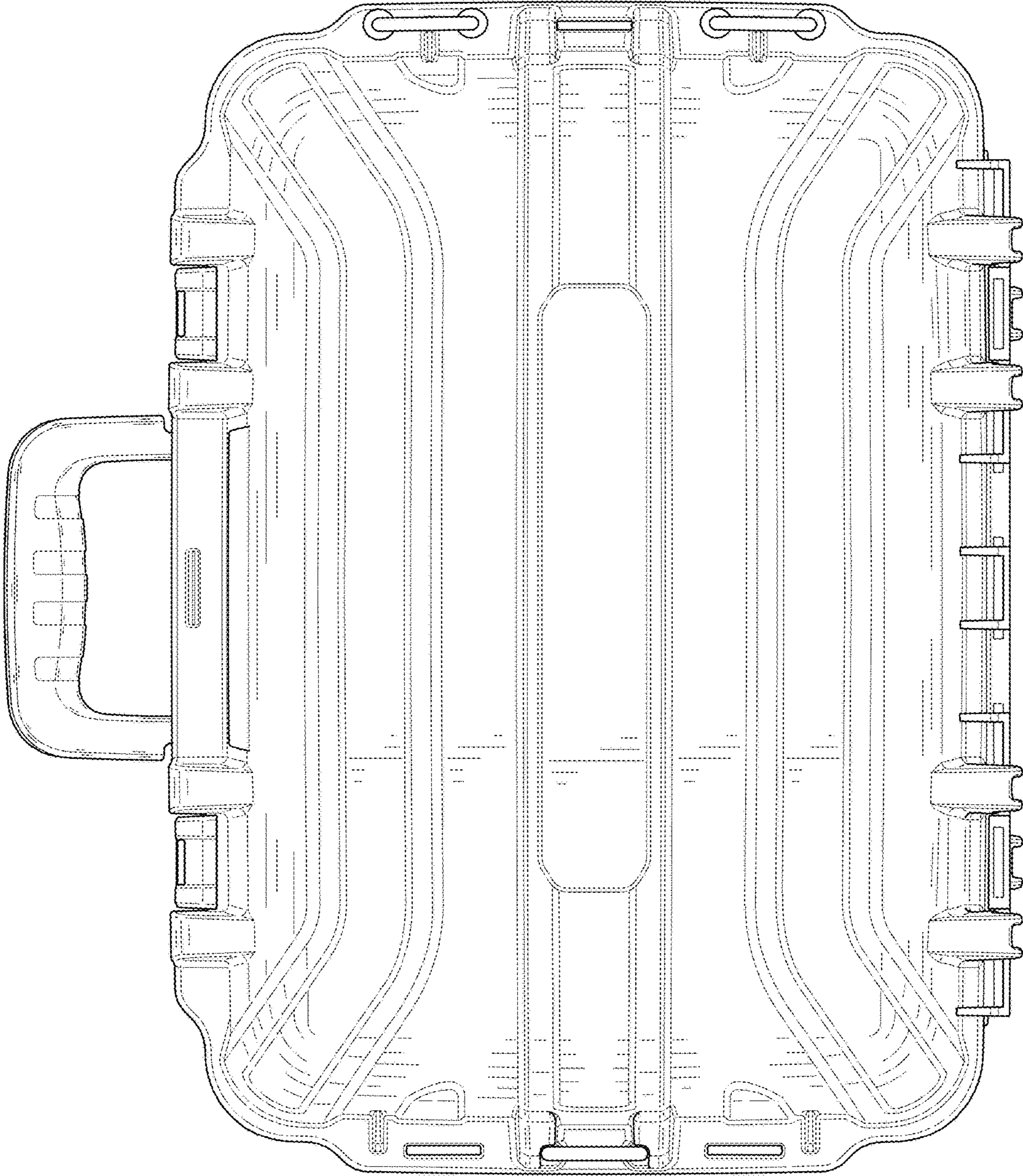


FIG. 1

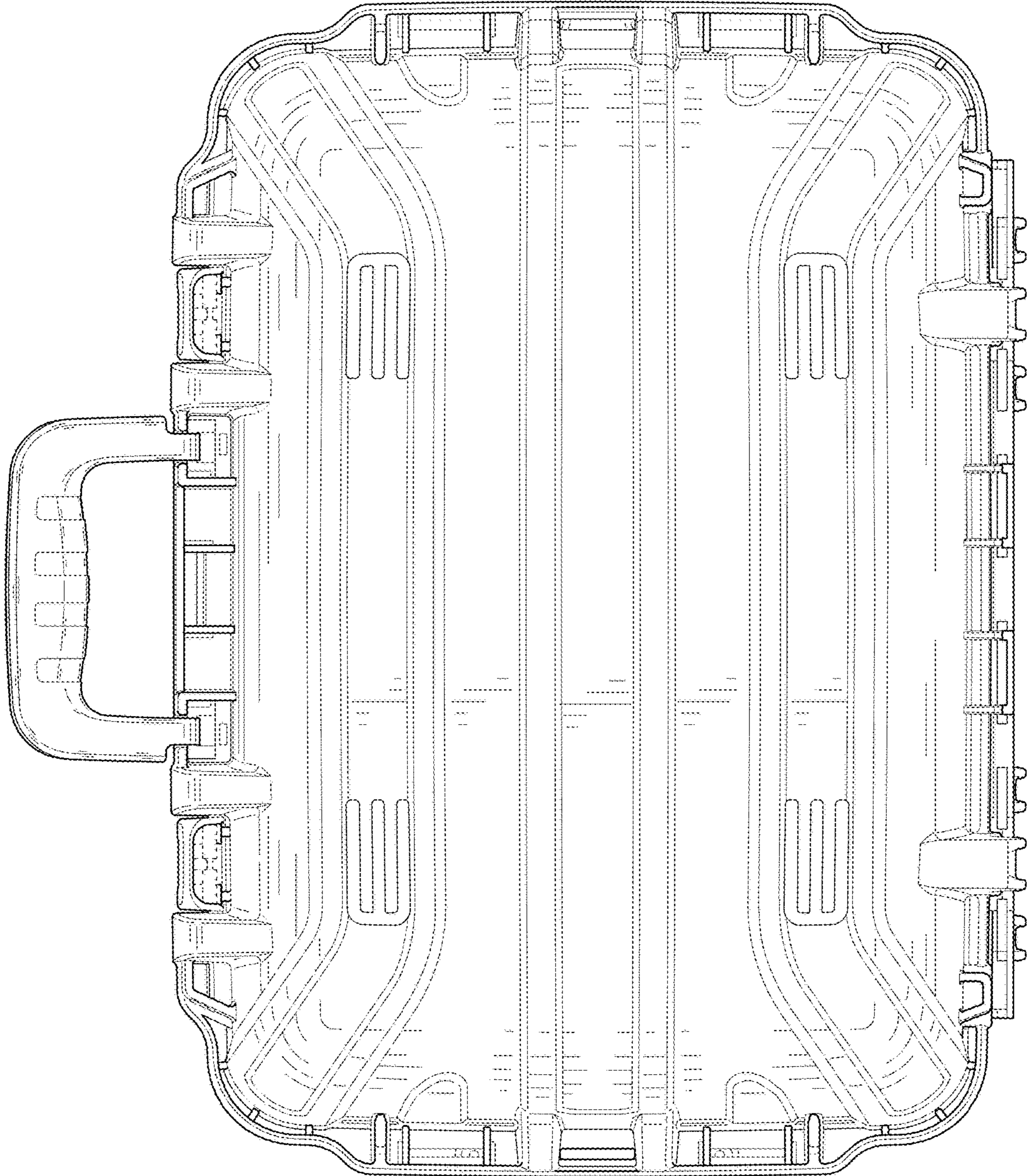


FIG. 2

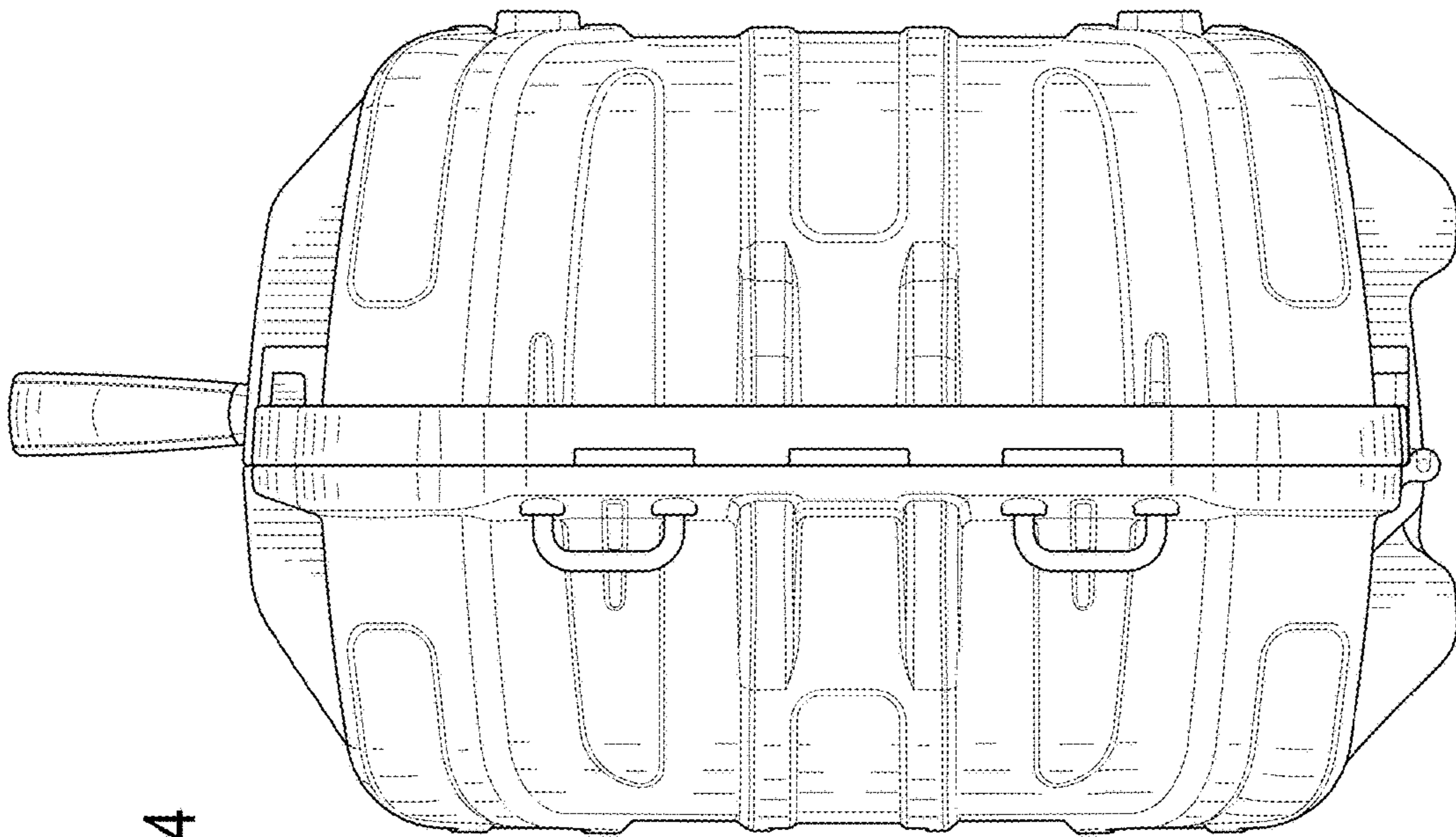


FIG. 4

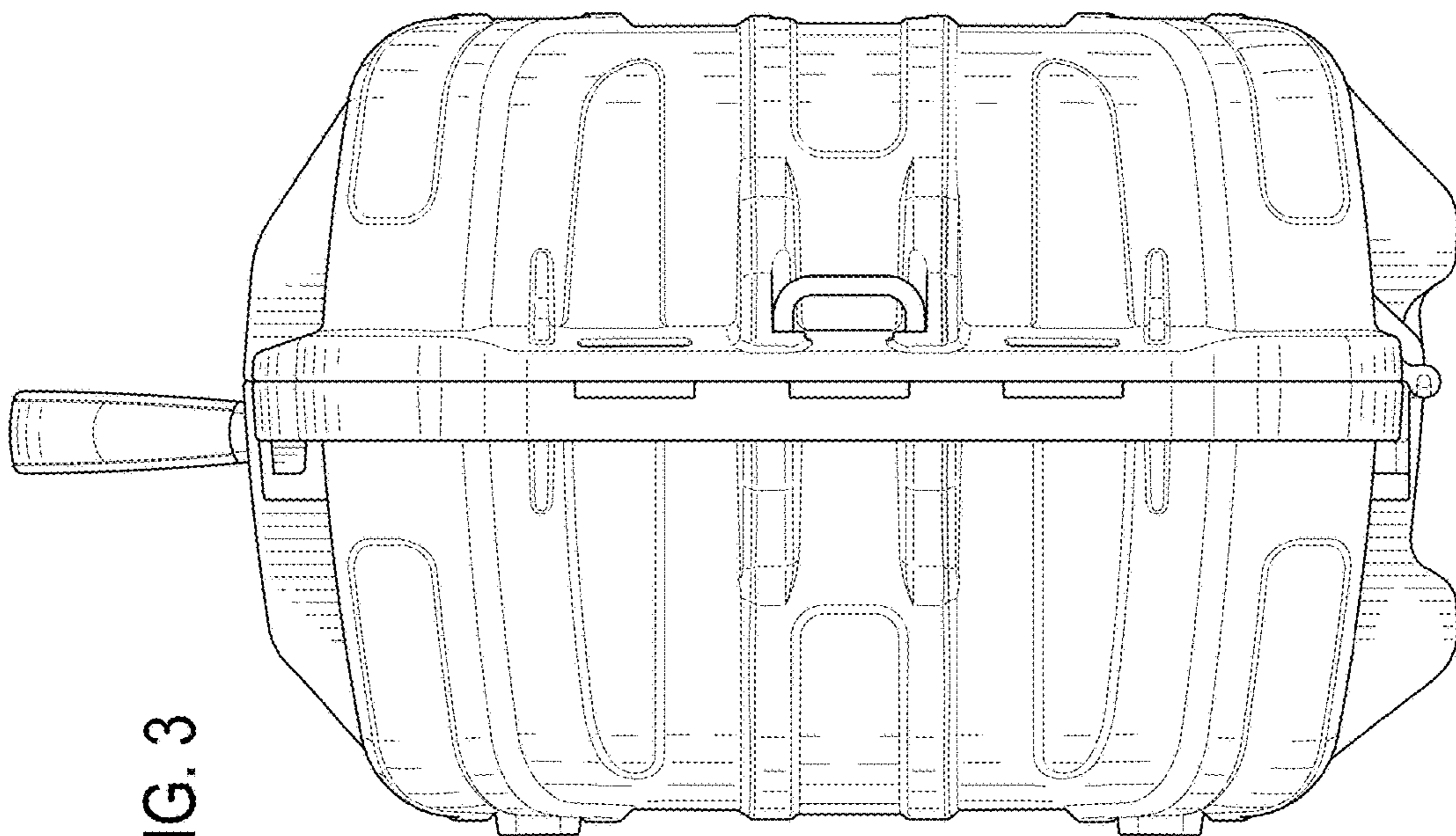


FIG. 3

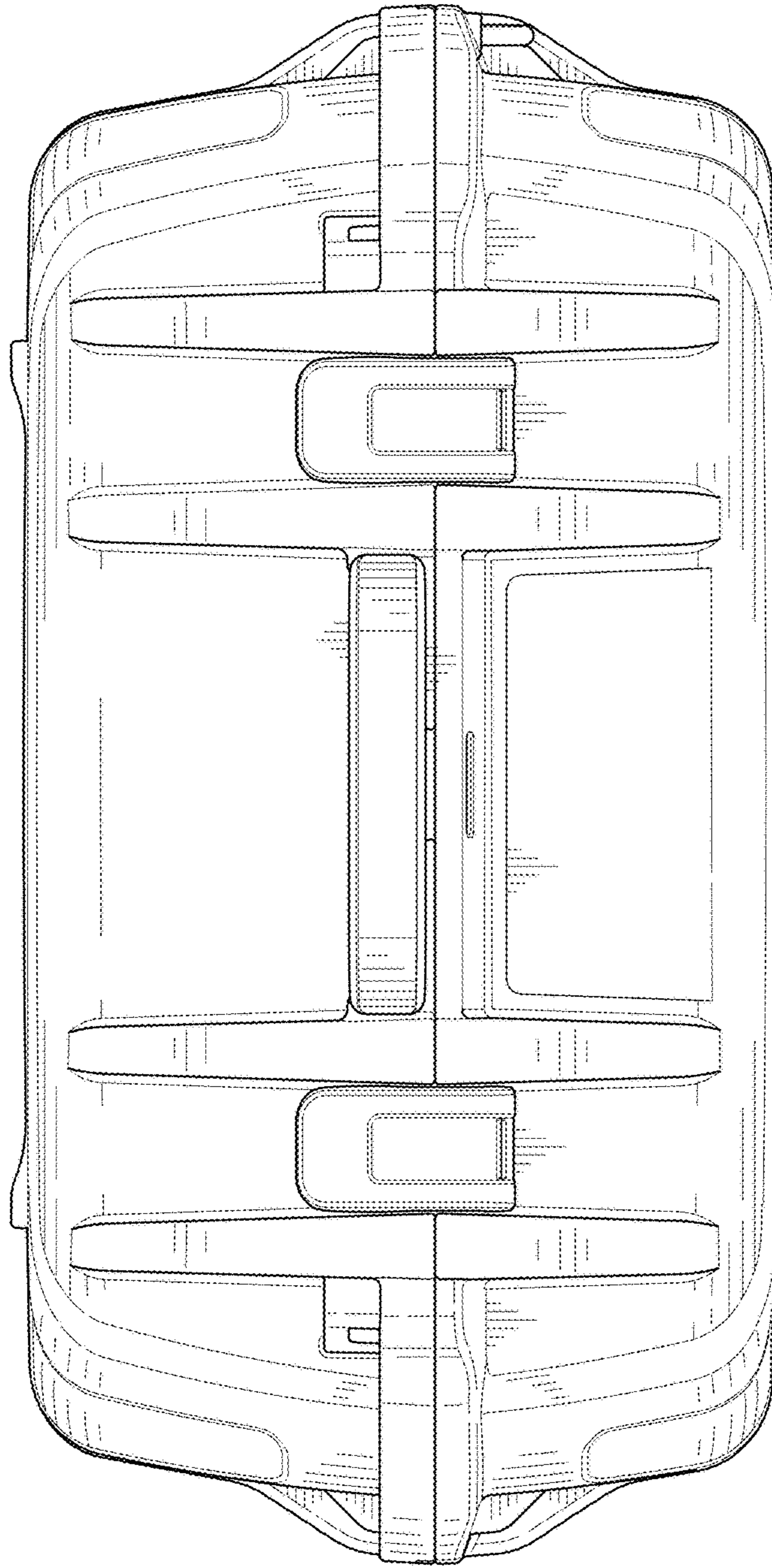


FIG. 5

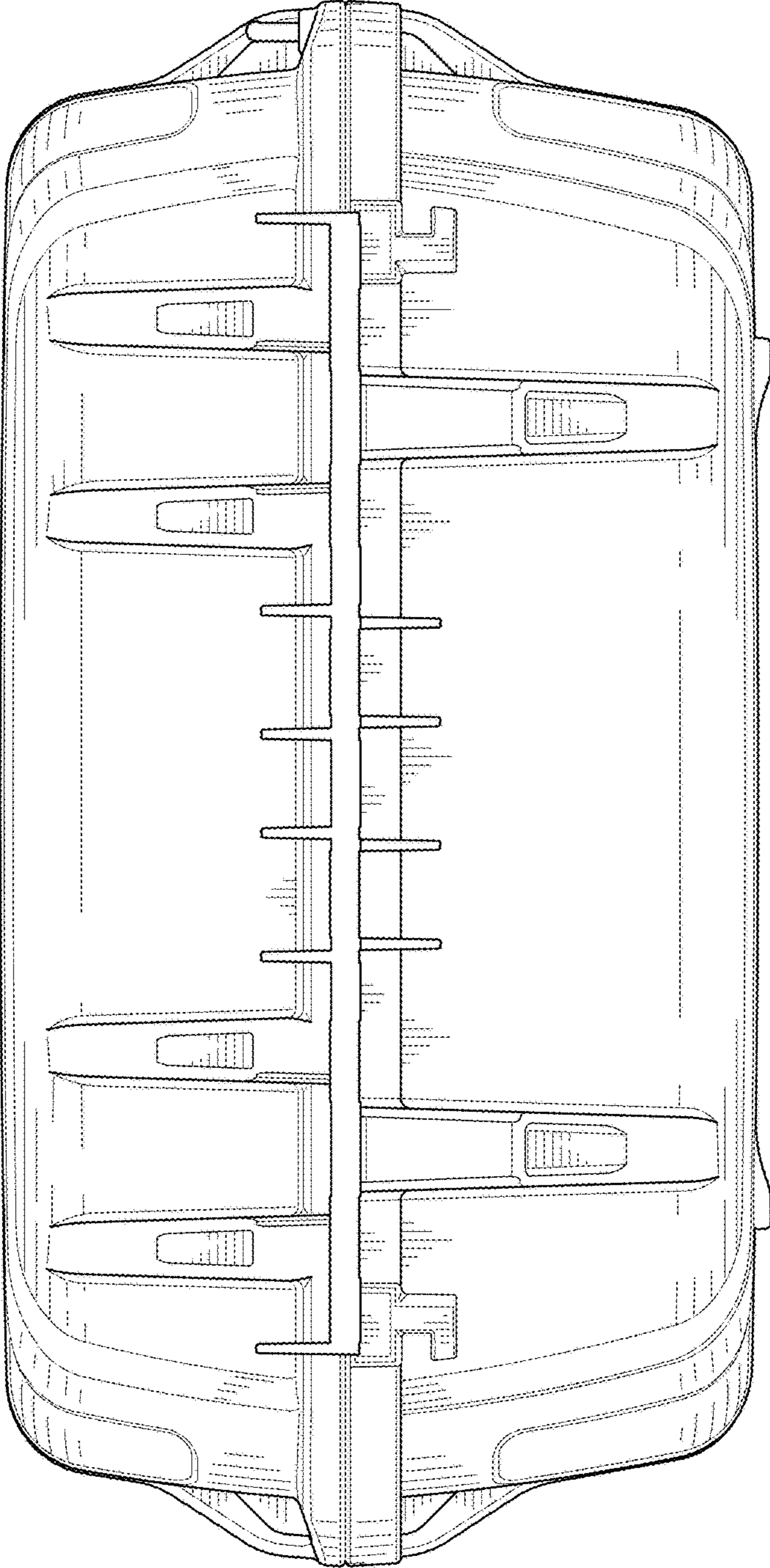


FIG. 6

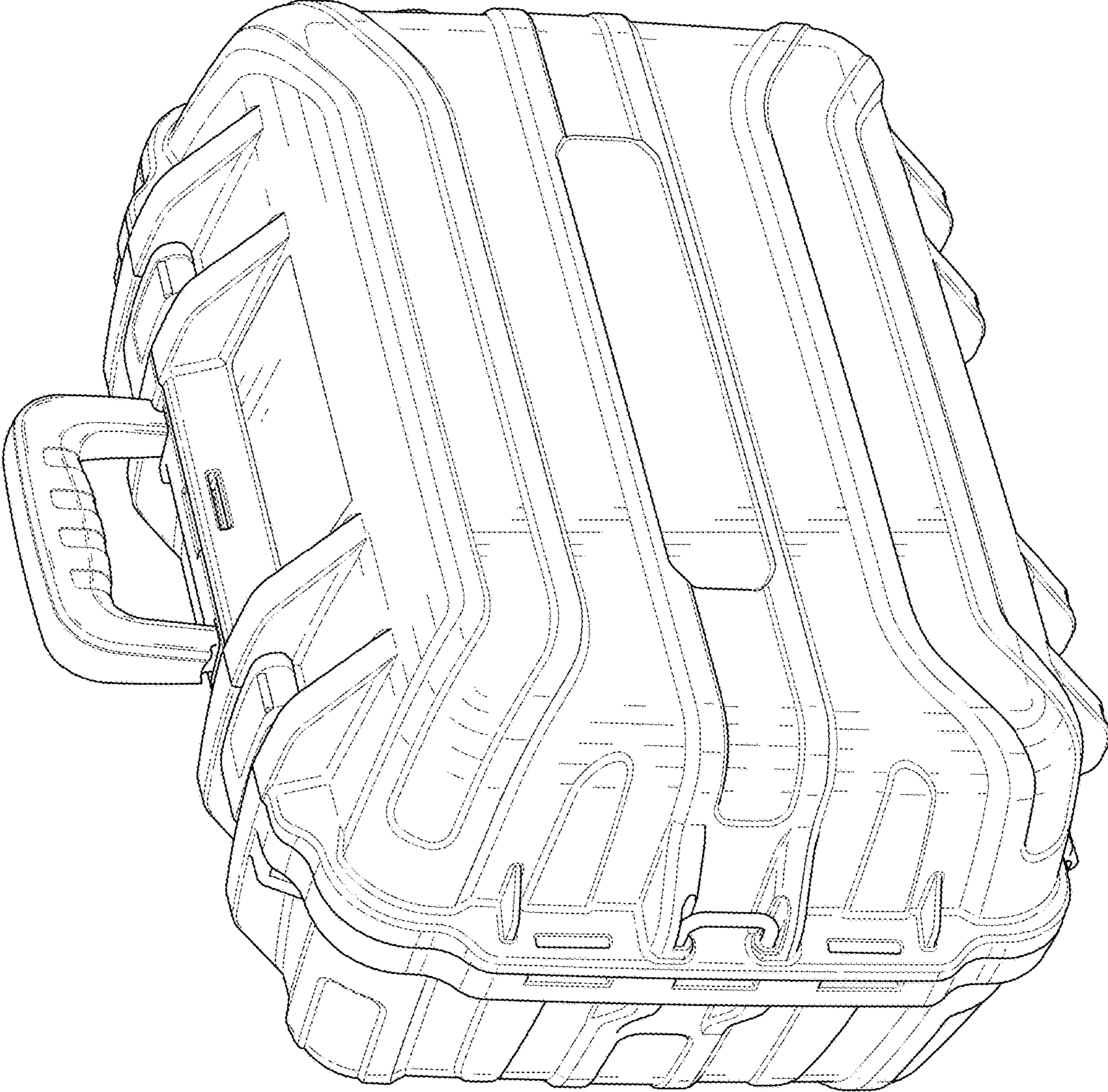


FIG. 7

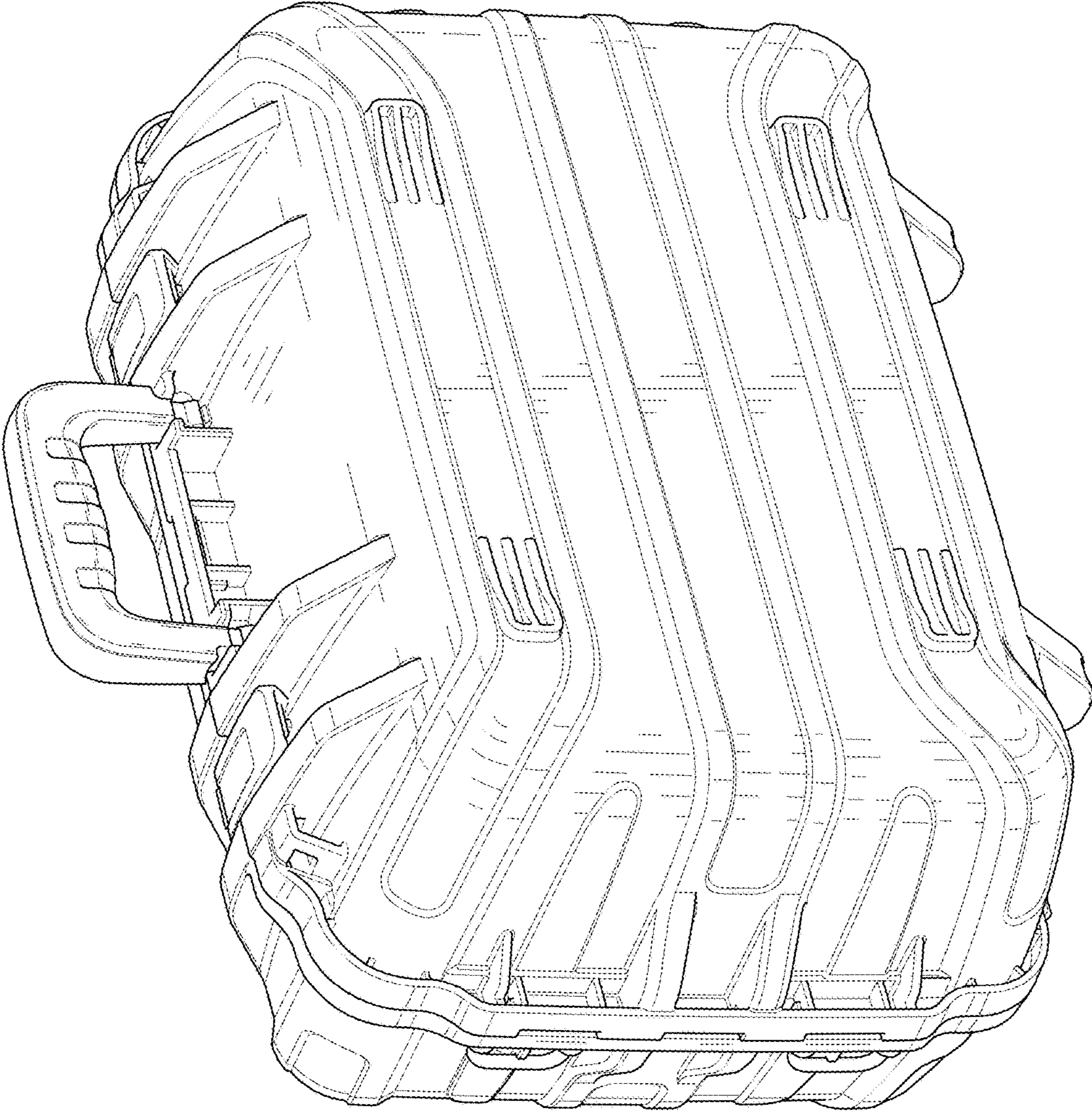


FIG. 8