



US00D780448S

(12) **United States Design Patent**
Nair

(10) **Patent No.:** **US D780,448 S**
(45) **Date of Patent:** **** Mar. 7, 2017**

(54) **HANDBAG**

(71) Applicant: **MOYNAT PARIS SAS**, Paris (FR)

(72) Inventor: **Ramesh Nair**, Paris (FR)

(73) Assignee: **MOYNAT PARIS SAS**, Paris (FR)

(**) Term: **15 Years**

(21) Appl. No.: **29/554,963**

(22) Filed: **Feb. 17, 2016**

(30) **Foreign Application Priority Data**

Jan. 19, 2016 (EM) 002949925-001

(51) **LOC (10) Cl.** **03-01**

(52) **U.S. Cl.**
USPC **D3/243**

(58) **Field of Classification Search**
USPC D3/232-233, 240-243, 245-246
CPC A45C 1/024; A45C 3/06
See application file for complete search history.

(56) **References Cited**

U.S. PATENT DOCUMENTS

D745,268 S * 12/2015 Slimane D3/232
D761,015 S * 7/2016 Nair D3/243

* cited by examiner

Primary Examiner — Holly Baynham

(74) *Attorney, Agent, or Firm* — Avery N. Goldstein;
Blue Filament Law PLLC

(57) **CLAIM**

The ornamental design for a handbag, as shown and described.

DESCRIPTION

FIG. 1 is a first perspective view of a handbag showing my new design in a closed configuration, with a strap shown in ghost for context;

FIG. 2 is an enlarged second perspective view thereof in an open configuration;

FIG. 3 is a front view of view thereof, where the strap is not shown for visual clarity;

FIG. 4 is a top view thereof, where the strap is not shown for visual clarity;

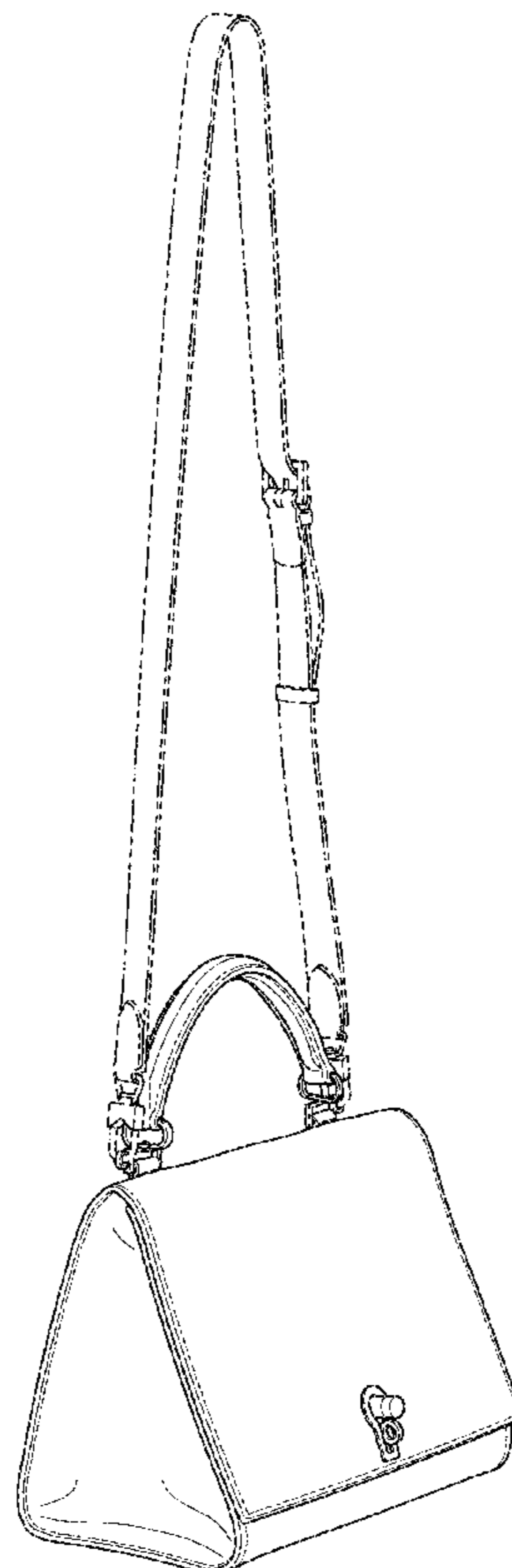
FIG. 5 is a left side view thereof, where the strap is not shown for visual clarity, and the right side view is a mirror image of this view;

FIG. 6 is a bottom view thereof, where the strap is not shown for visual clarity; and,

FIG. 7 is a rear view thereof.

The dot-dashed broken lines showing a strap are for the purposes of illustrating environment and form no part of the claimed design. The smaller dashed lines on the edges of the handbag denote stitching and are part of the claimed design.

1 Claim, 4 Drawing Sheets



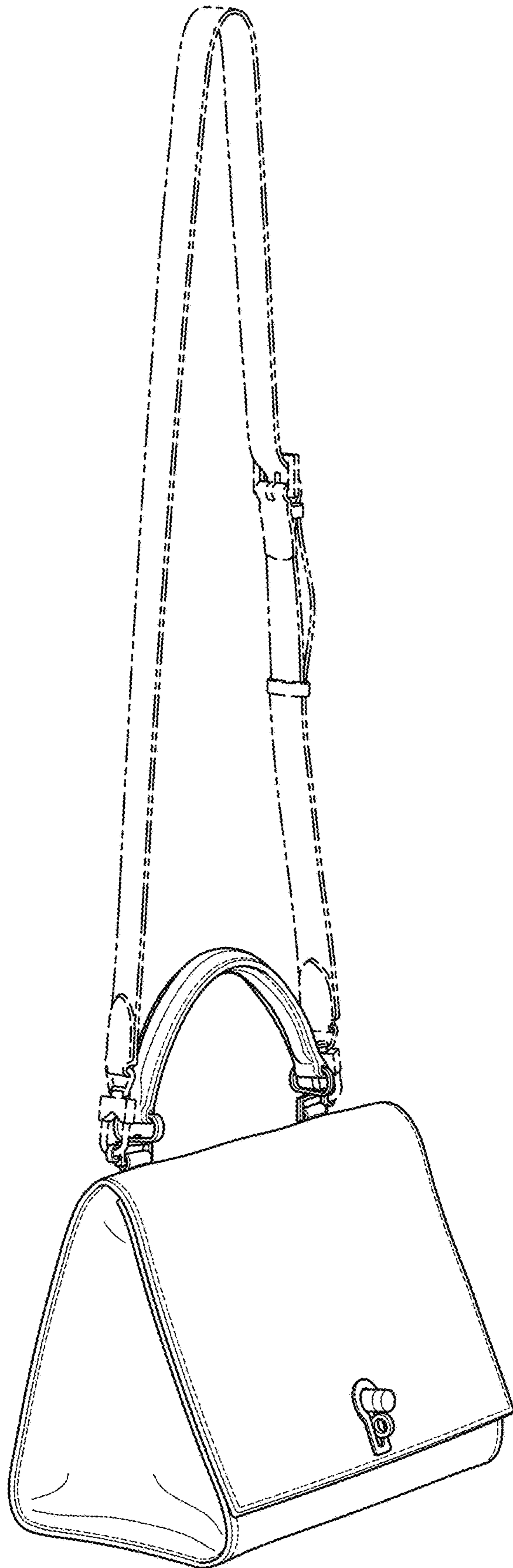


FIG. 1

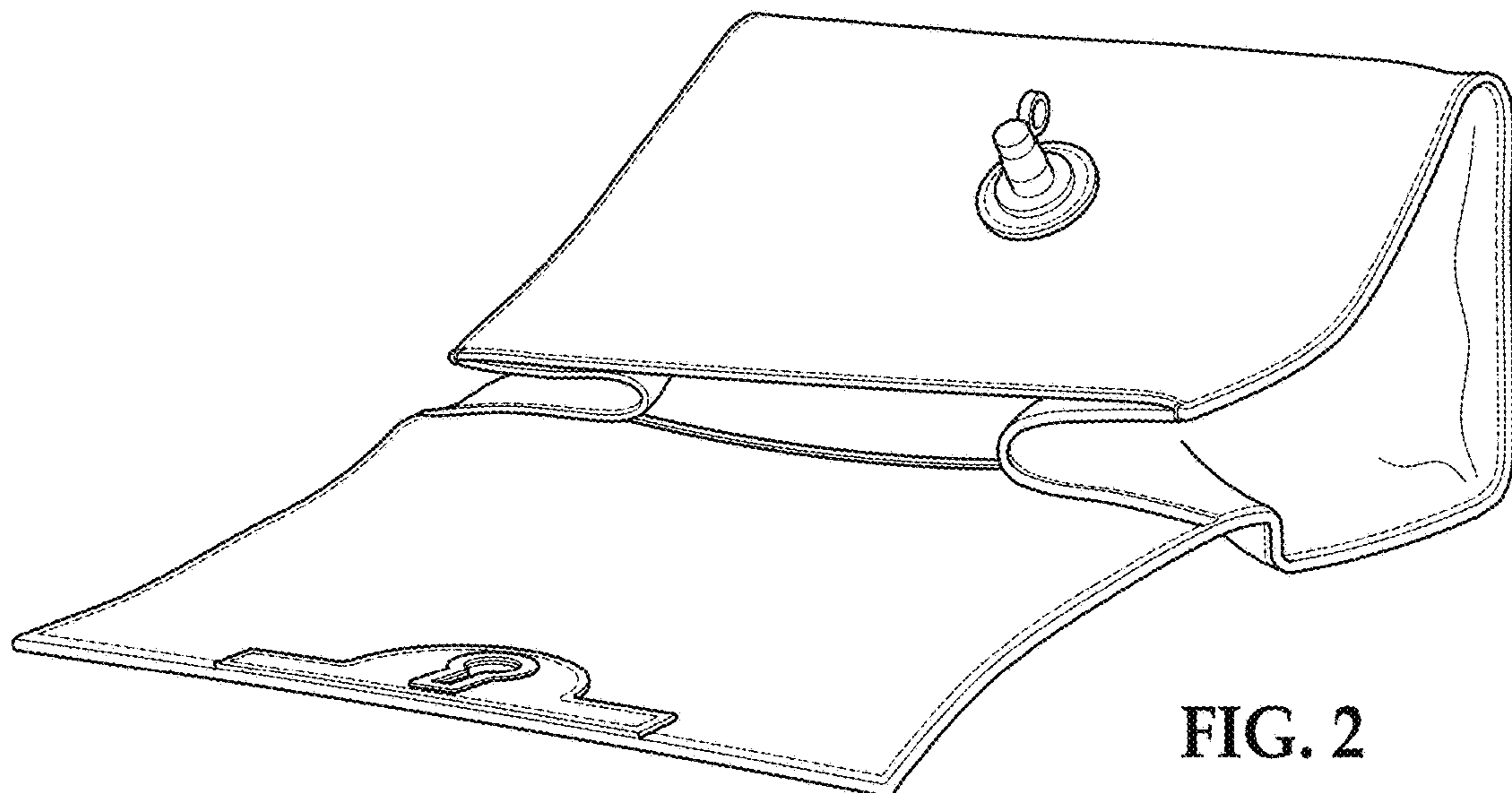


FIG. 3



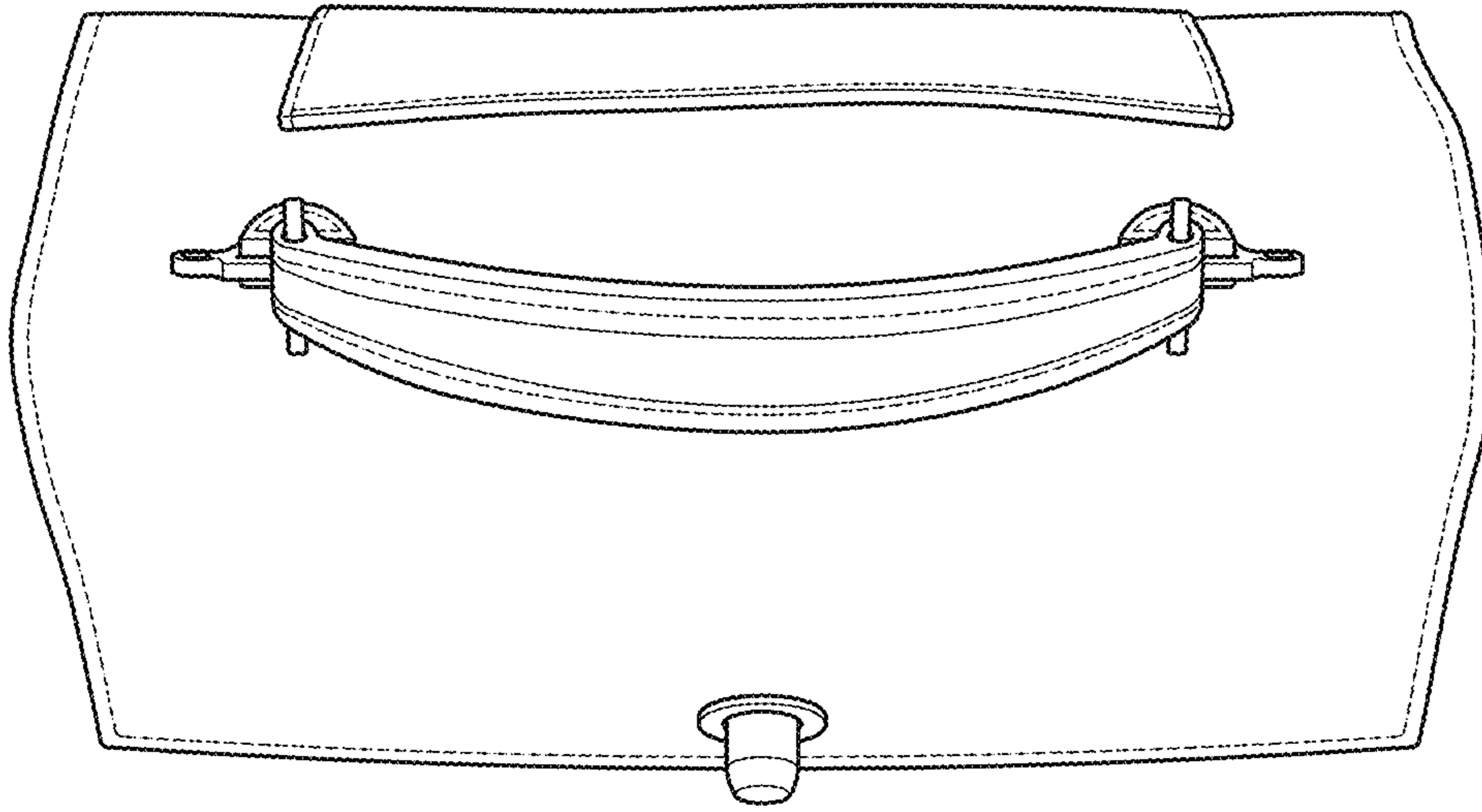


FIG. 4

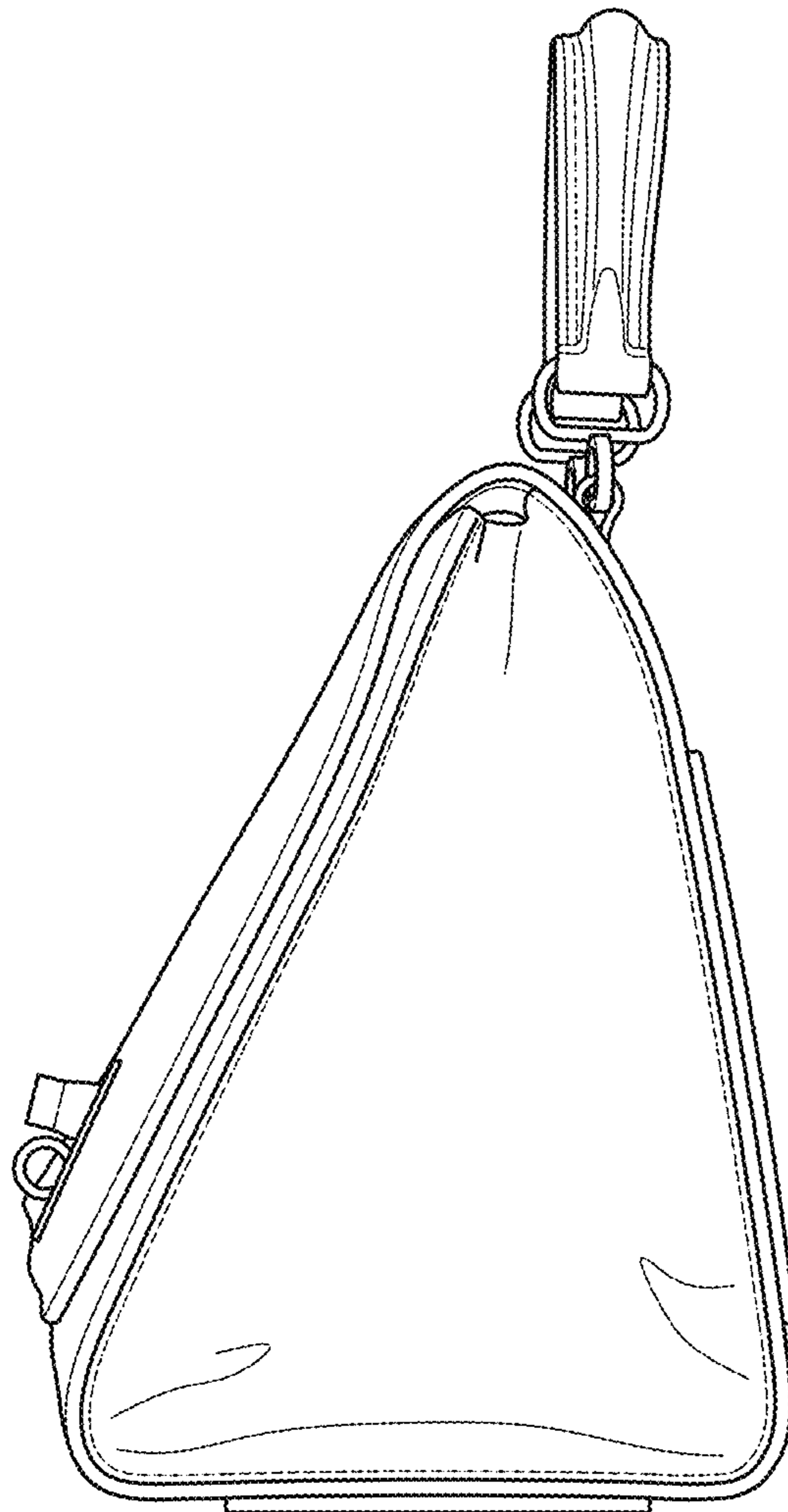


FIG. 5

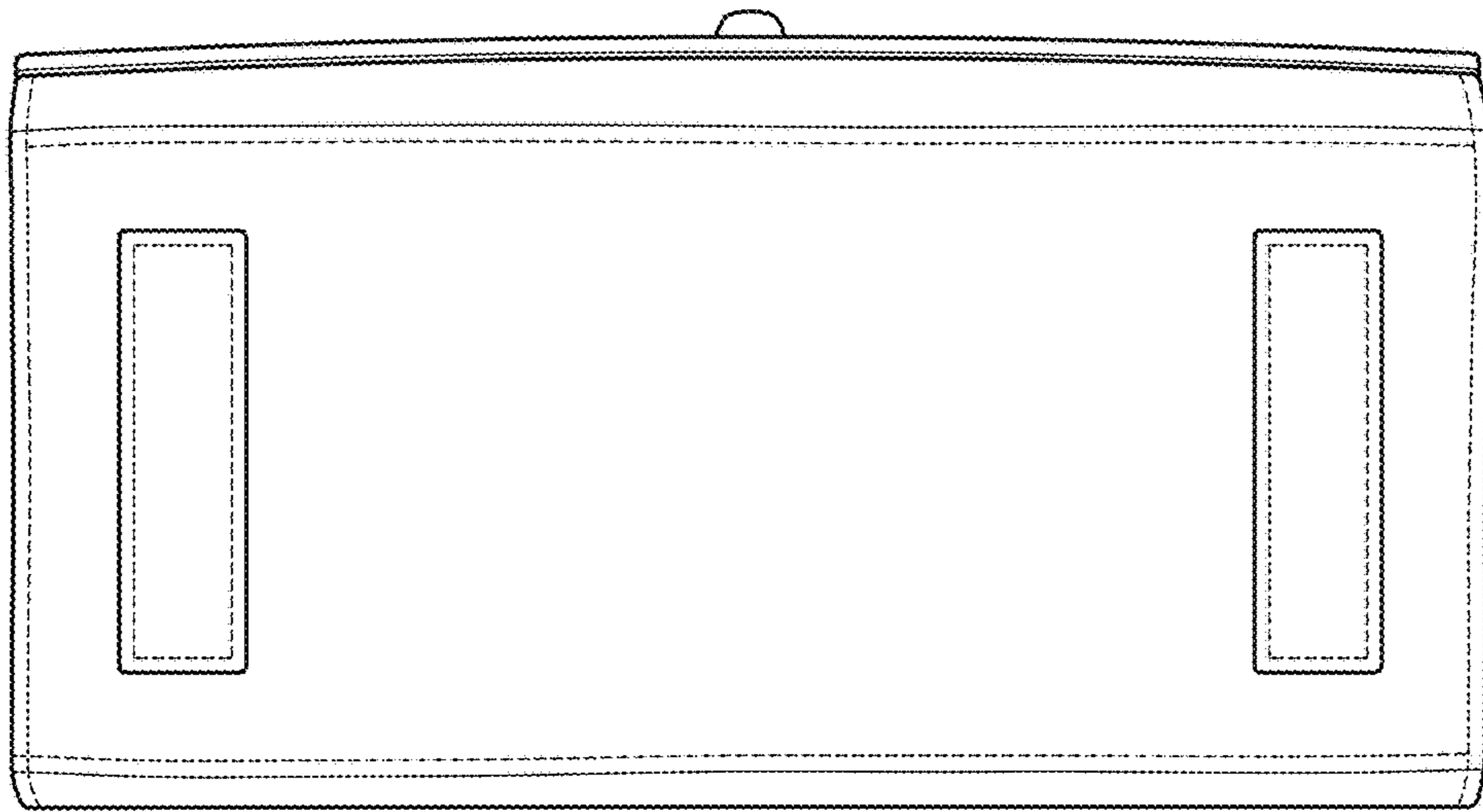


FIG. 6

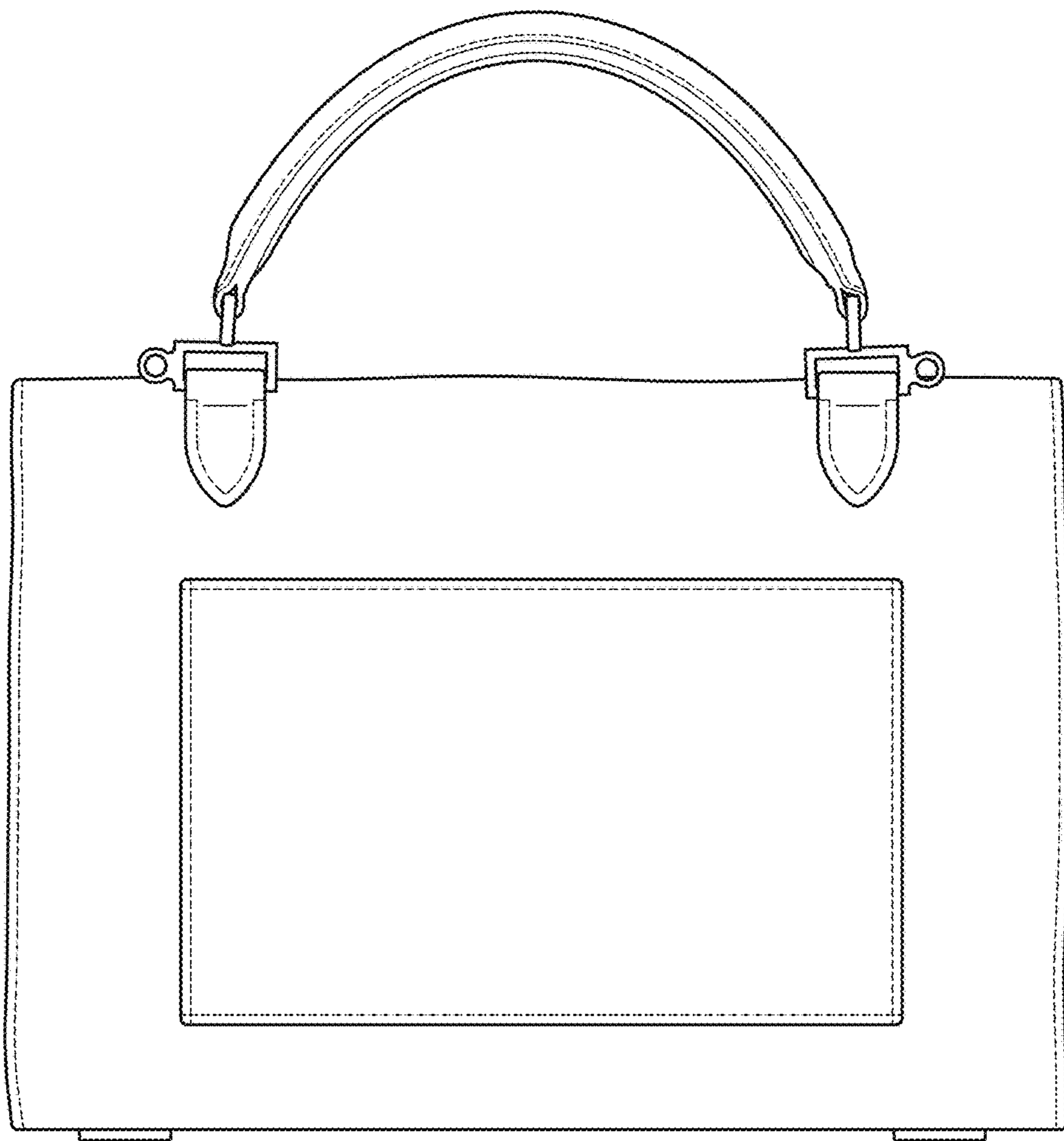


FIG. 7