



US00D780444S

(12) **United States Design Patent**
Blahnik

(10) **Patent No.:** **US D780,444 S**

(45) **Date of Patent:** **** Mar. 7, 2017**

(54) **HANDBAG**

(71) Applicant: **Manolo Blahnik**, London (GB)

(72) Inventor: **Manolo Blahnik**, London (GB)

(**) Term: **15 Years**

(21) Appl. No.: **29/553,530**

(22) Filed: **Feb. 2, 2016**

(51) **LOC (10) Cl.** **03-01**

(52) **U.S. Cl.**
USPC **D3/240**

(58) **Field of Classification Search**
USPC D3/232-233, 240-243, 245-246
CPC A45C 1/024; A45C 3/08
See application file for complete search history.

(56) **References Cited**

U.S. PATENT DOCUMENTS

D577,915 S	*	10/2008	Gonzalez	D3/318
D581,663 S	*	12/2008	Gonzalez	D3/242
D589,254 S	*	3/2009	Gonzalez	D3/318

D597,303 S	*	8/2009	Billauer	D3/232
D612,610 S	*	3/2010	Gonzalez	D3/318
D628,804 S	*	12/2010	Gonzalez	D3/318
D730,643 S	*	6/2015	Langer	D3/232

* cited by examiner

Primary Examiner — Holly Baynham

(74) *Attorney, Agent, or Firm* — McGuireWoods LLP

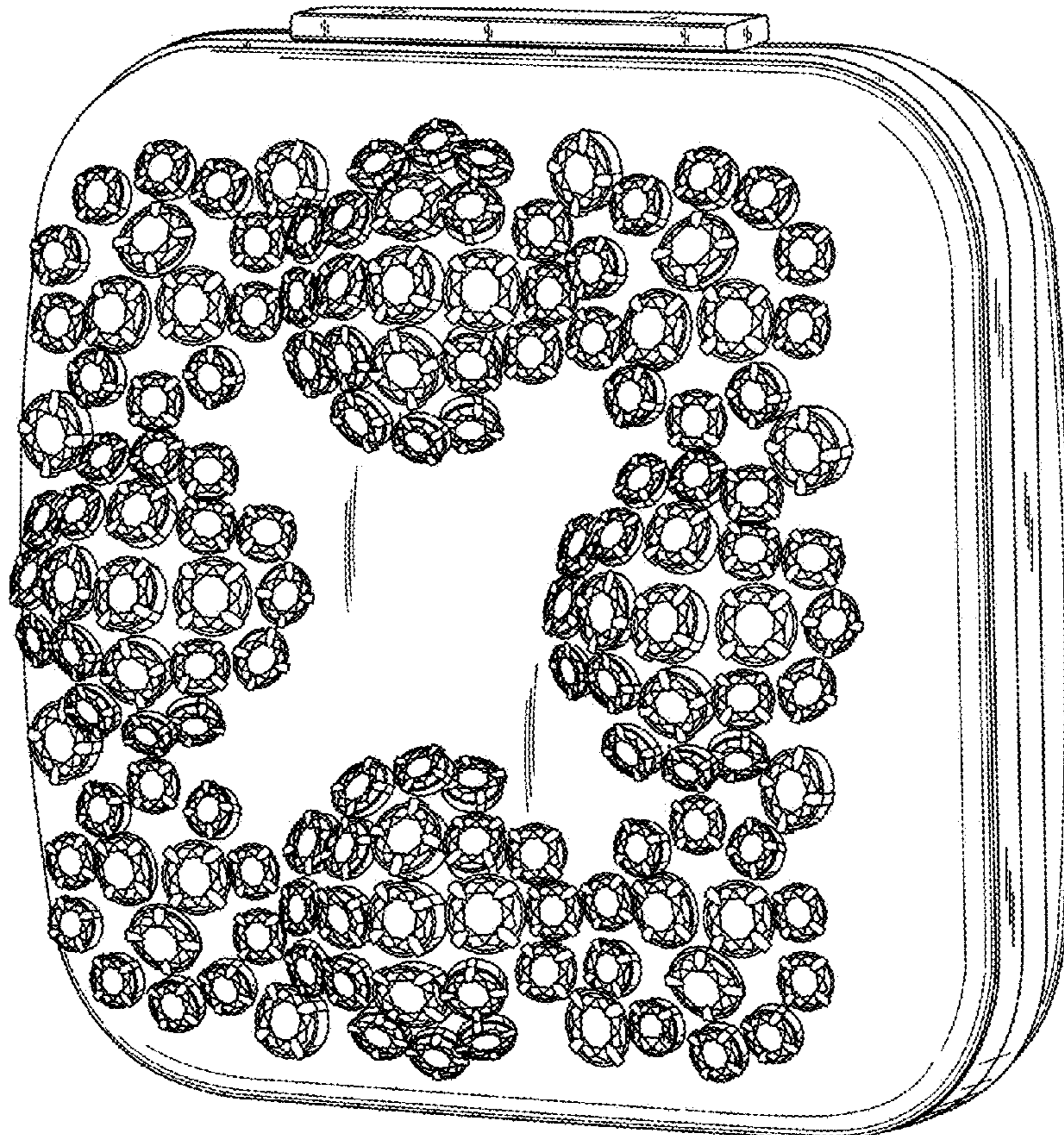
(57) **CLAIM**

I claim the ornamental design for a handbag, as shown and described.

DESCRIPTION

FIG. 1 is a front-right perspective view of the handbag; FIG. 2 is a front view of the handbag shown in FIG. 1; FIG. 3 is a rear view of the handbag shown in FIG. 1; FIG. 4 is a top view of the handbag shown in FIG. 1; FIG. 5 is a bottom view of the handbag shown in FIG. 1; FIG. 6 is a right side view of the handbag shown in FIG. 1; and, FIG. 7 is a left side view of the handbag shown in FIG. 1.

1 Claim, 7 Drawing Sheets



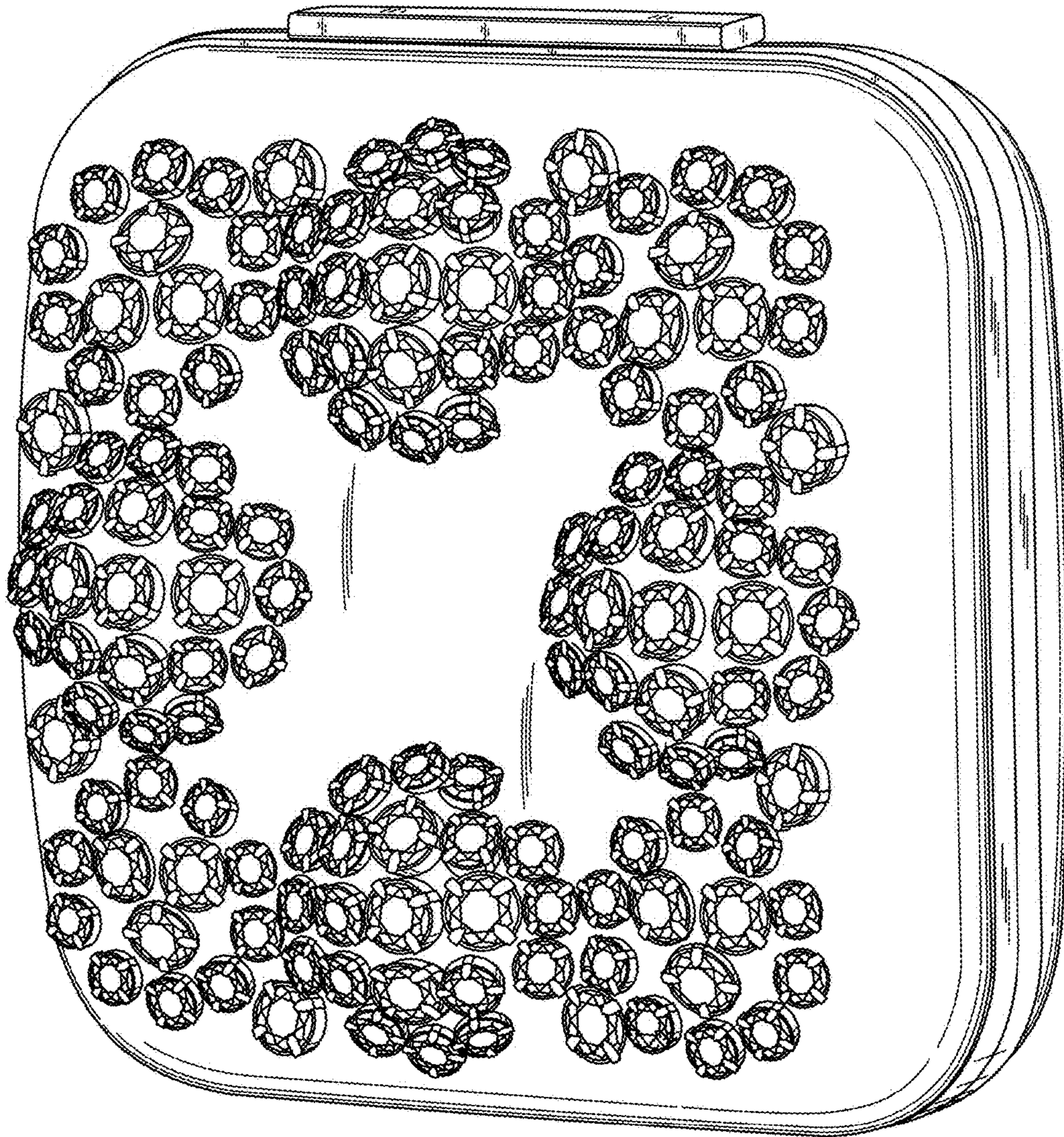


FIG 1

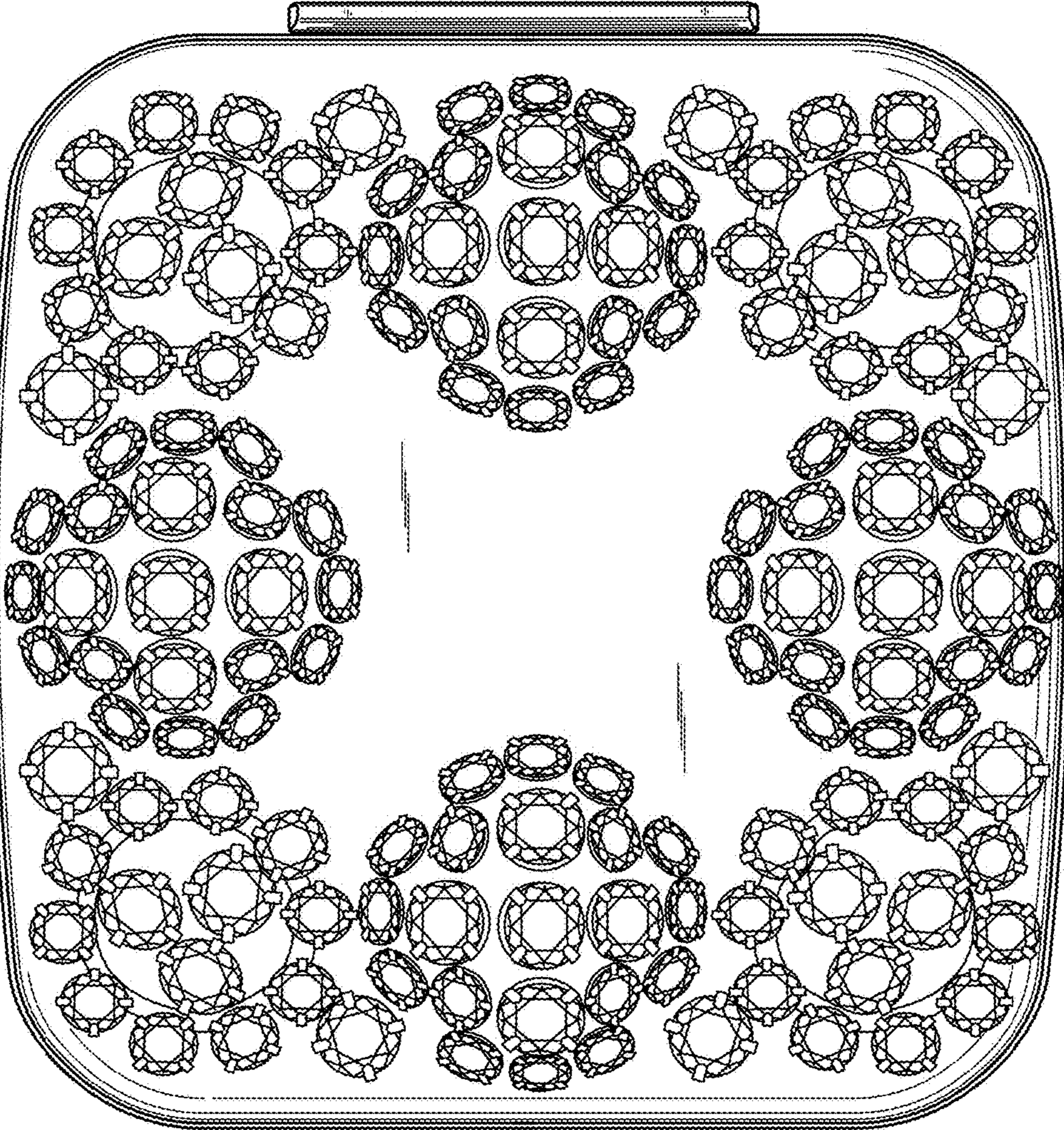


FIG 2



FIG 3

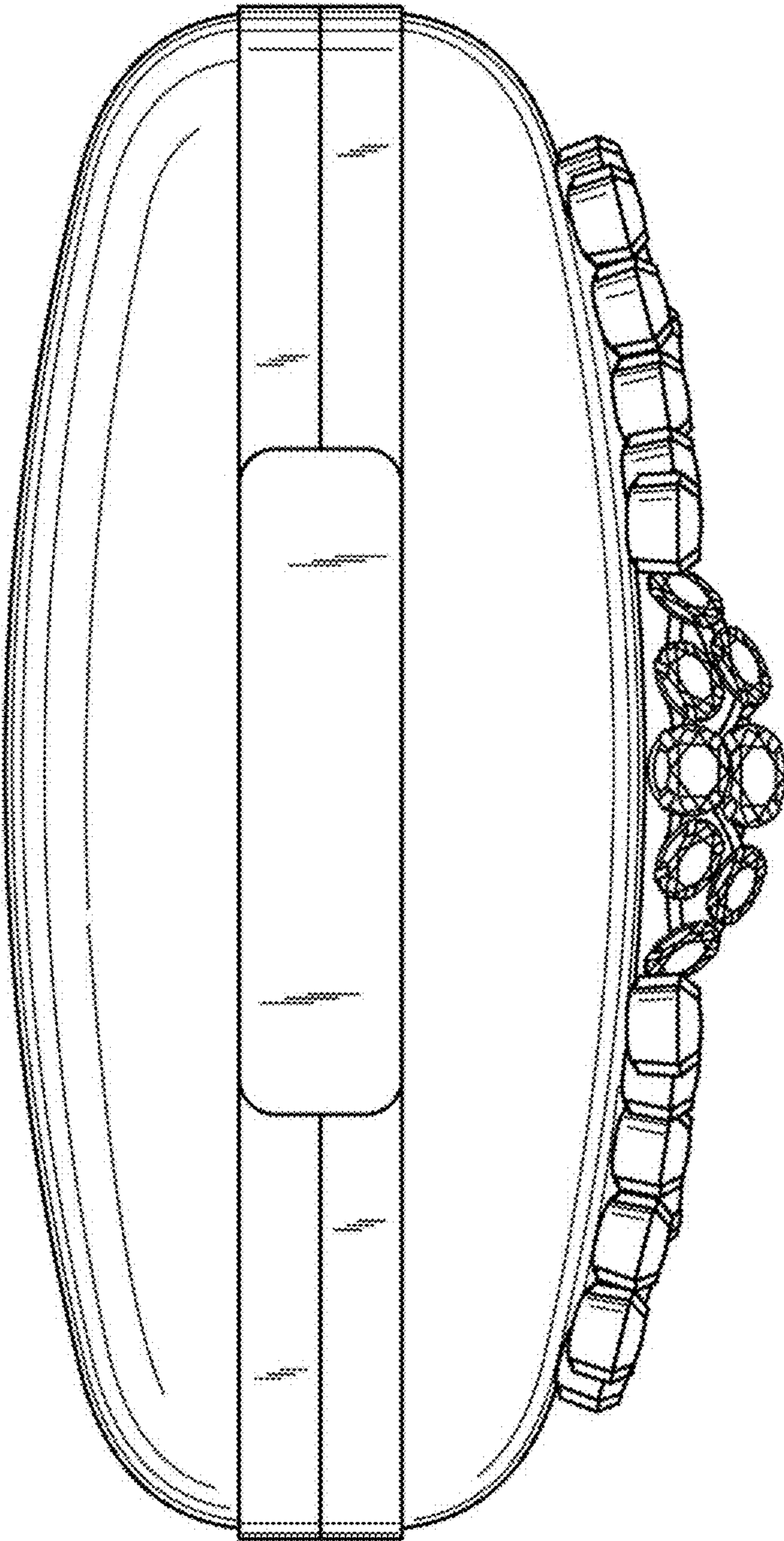


FIG 4

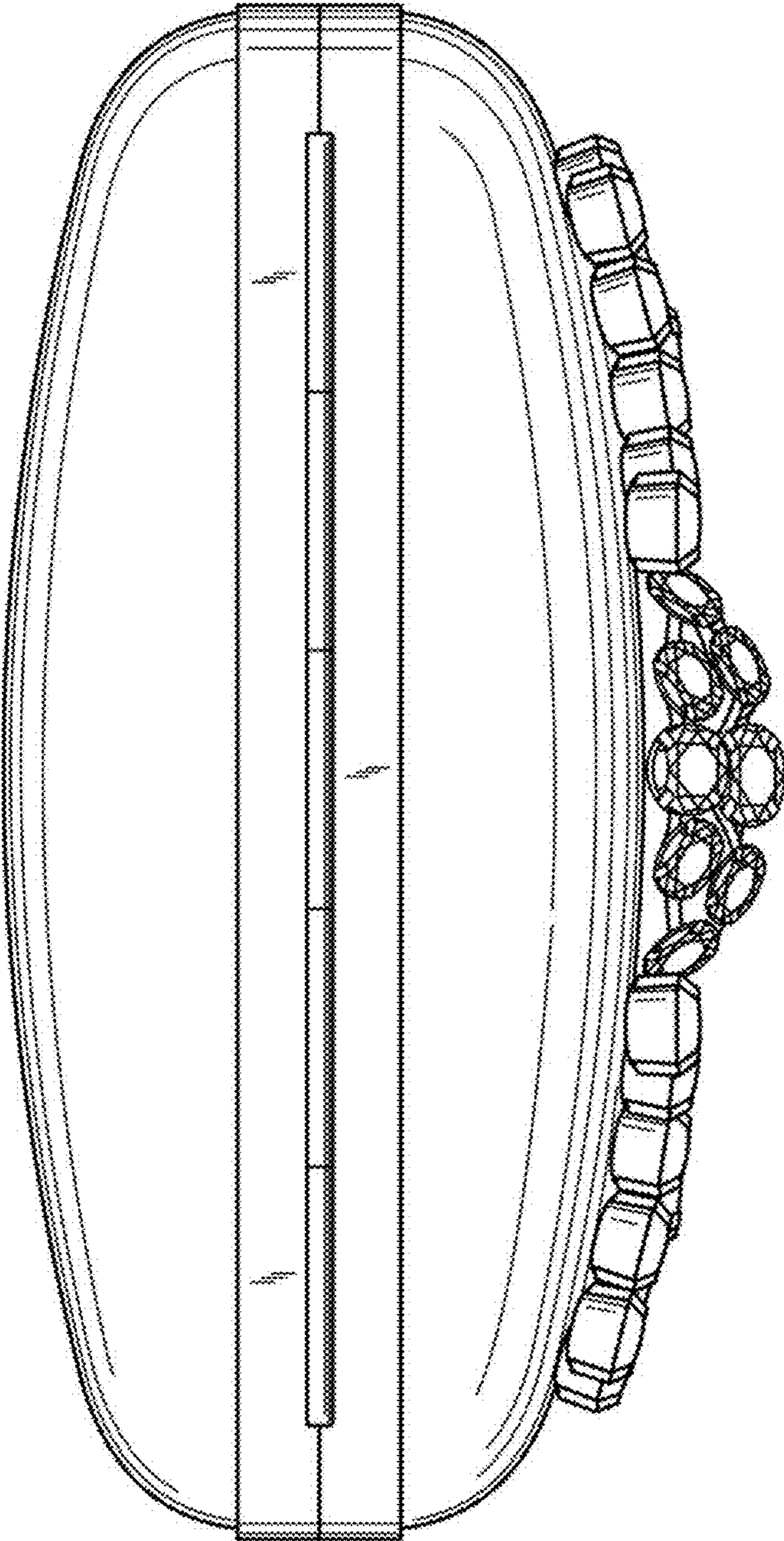


FIG 5

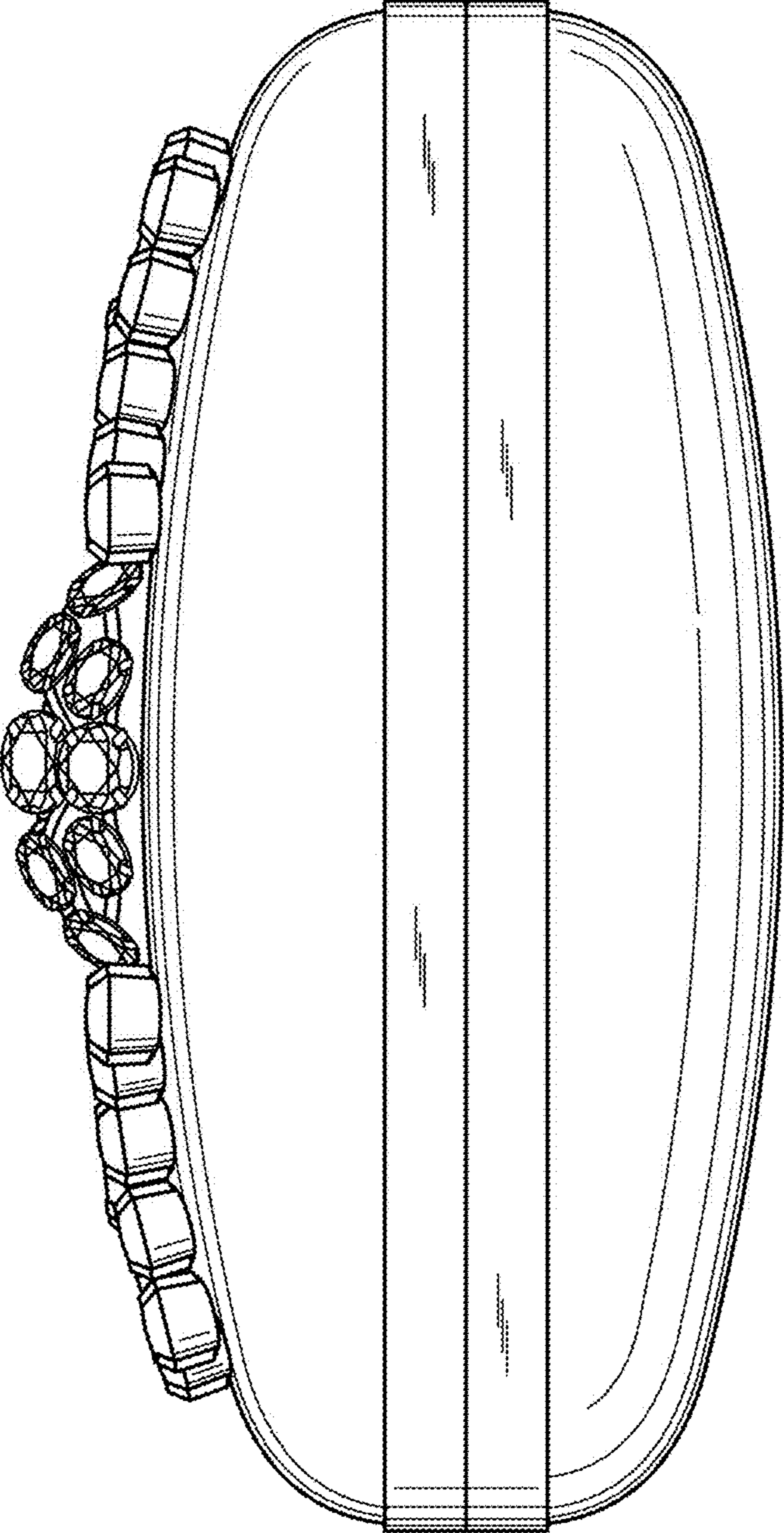


FIG 6

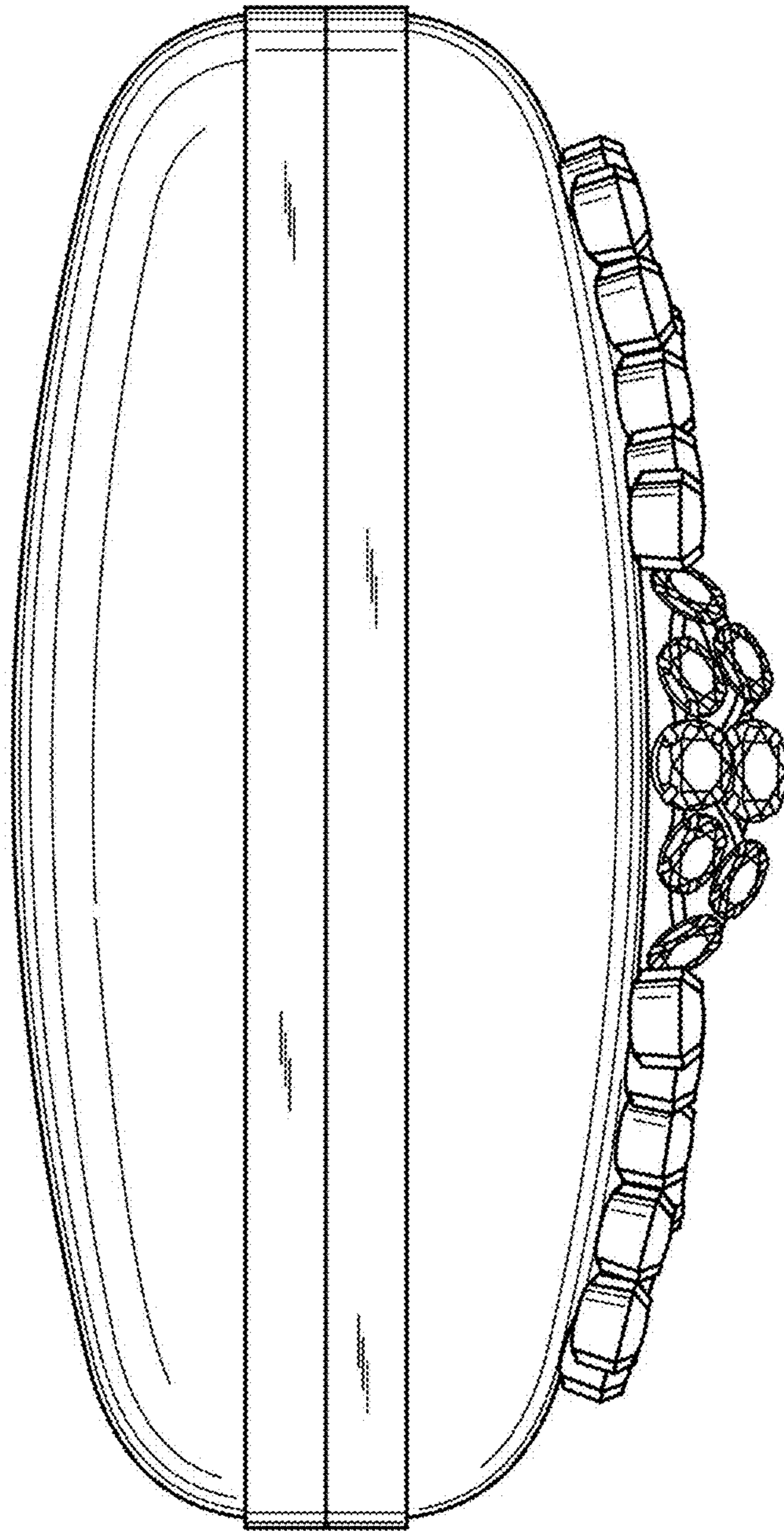


FIG 7