



US00D780442S

(12) **United States Design Patent**  
**Tidwell**

(10) **Patent No.:** **US D780,442 S**

(45) **Date of Patent:** **\*\* Mar. 7, 2017**

(54) **JUG COVER**

(71) Applicant: **Gary Don Tidwell**, Flower Mound, TX  
(US)

(72) Inventor: **Gary Don Tidwell**, Flower Mound, TX  
(US)

(\*\*) Term: **14 Years**

(21) Appl. No.: **29/500,875**

(22) Filed: **Aug. 29, 2014**

(51) **LOC (10) Cl.** ..... **03-01**

(52) **U.S. Cl.**

USPC ..... **D3/229**; D3/202

(58) **Field of Classification Search**

USPC ..... D9/434-436, 438, 443-450, 452-454,  
D9/499; D7/387, 392, 393, 396.2, 510,  
D7/511; D3/202, 294, 318; 215/28, 41,  
215/201, 216, 224, 230, 235, 237, 243,  
215/249, 256, 306, 316, 317, 396;  
220/252, 254.1, 254.2-254.4, 258.2, 263,  
220/367.1, 375, 711, 724, 730, 731, 837,  
220/847; 222/109, 153.1, 153.11, 153.14,  
222/464.1, 498, 546, 547, 562, 565, 566,  
222/570, 621

CPC ..... A61J 1/1412; B65D 1/02; B65D 1/323;  
B65D 25/40; B65D 41/56; B65D 41/62;  
B65D 47/06; B65D 47/08

See application file for complete search history.

(56) **References Cited**

**U.S. PATENT DOCUMENTS**

690,828 A \* 1/1902 Brown ..... B65D 25/32  
220/318  
D59,662 S \* 11/1921 Lauzon ..... 224/148.6  
1,482,203 A \* 1/1924 Sakamoto ..... A01D 46/243  
220/263  
D217,828 S \* 6/1970 Hilliard ..... 224/148.6

D227,043 S \* 5/1973 Vandenberg ..... 224/148.6  
D286,859 S \* 11/1986 Wu ..... 224/148.7  
5,183,183 A \* 2/1993 Hernandez ..... A45F 3/16  
206/221  
D349,190 S \* 8/1994 Wasserman ..... D3/229  
D350,024 S \* 8/1994 Ryker ..... D3/202  
5,413,261 A \* 5/1995 Wu ..... A45F 3/14  
215/396  
D373,678 S \* 9/1996 Haigis ..... D3/229  
D378,022 S \* 2/1997 Chen ..... D3/229  
D379,711 S \* 6/1997 Fitzgerald ..... D3/202  
D397,550 S \* 9/1998 Coughlin ..... D3/229  
5,864,289 A \* 1/1999 Tiemann ..... A45C 1/00  
224/236

(Continued)

*Primary Examiner* — Karen S Acker

*Assistant Examiner* — Wendy Arminio

(74) *Attorney, Agent, or Firm* — Stephen D. Carver

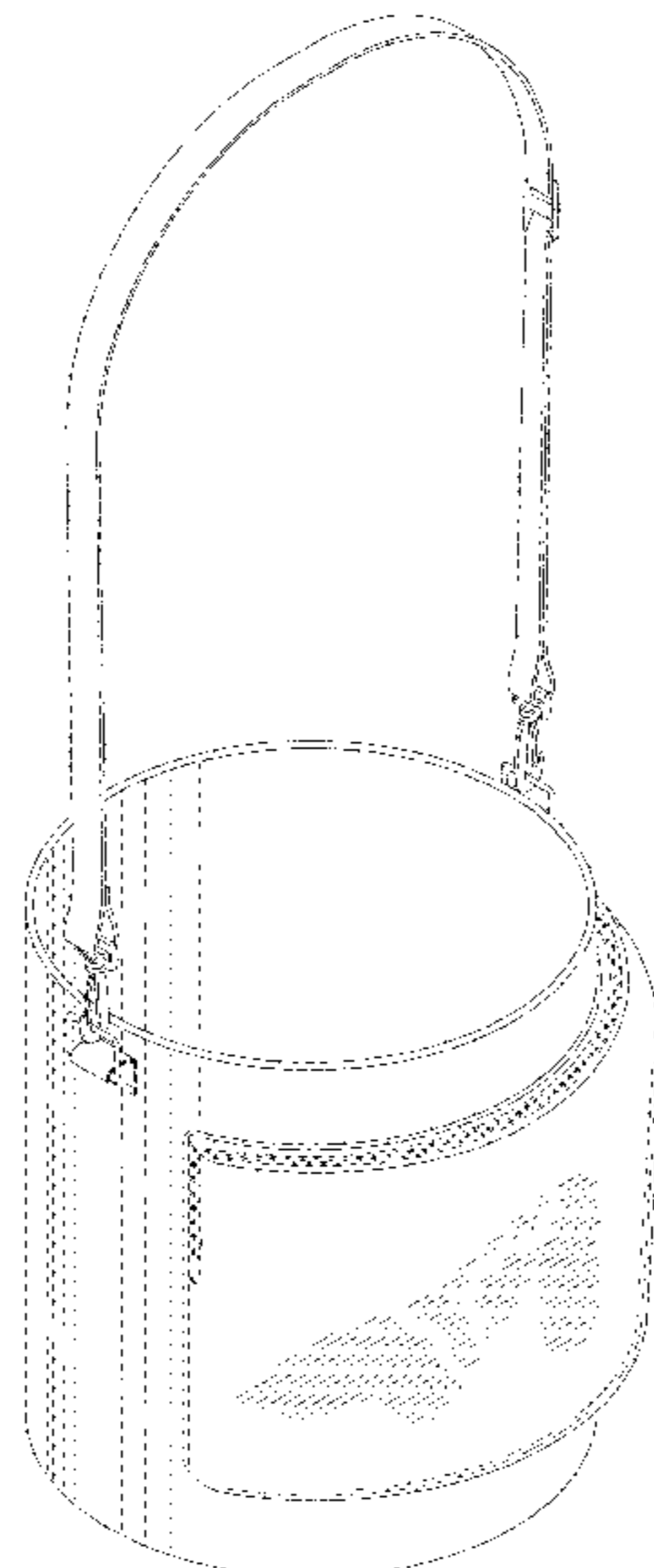
(57) **CLAIM**

The ornamental design for a jug cover, as shown and described.

**DESCRIPTION**

FIG. 1 is a frontal isometric view of my new jug cover, showing my new design;  
FIG. 2 is a rear isometric view thereof; and  
FIG. 3 is a front plan view thereof, with a jug shown in broken lines to illustrate environment;  
FIG. 4 is a rear plan thereof;  
FIG. 5 is a left side elevational view thereof;  
FIG. 6 is a right side elevational view thereof;  
FIG. 7 is a top plan view thereof; and,  
FIG. 8 is a bottom plan view thereof.  
The broken lines in FIG. 3 depict environmental subject matter that forms no part of the claimed design. All other broken lines depict stitching.

**1 Claim, 7 Drawing Sheets**



(56)

**References Cited**

U.S. PATENT DOCUMENTS

5,915,580 A \* 6/1999 Melk ..... B65D 23/08  
215/386  
6,082,896 A \* 7/2000 Pulli ..... B65D 81/3886  
383/110  
D432,785 S \* 10/2000 Berg ..... D3/229  
6,269,949 B1 \* 8/2001 Gottlieb ..... B65D 1/265  
206/519  
6,401,993 B1 \* 6/2002 Andrino ..... A45F 5/00  
224/148.5  
D474,887 S \* 5/2003 Forster ..... D3/229  
D510,479 S \* 10/2005 Ellis ..... D3/215  
D567,595 S \* 4/2008 Christopher ..... D3/229  
D585,637 S \* 2/2009 Schnackenberg ..... D3/202  
D622,954 S \* 9/2010 Porter-Young ..... D3/202  
D625,513 S \* 10/2010 Carnes ..... D3/229

\* cited by examiner

FIG. 1

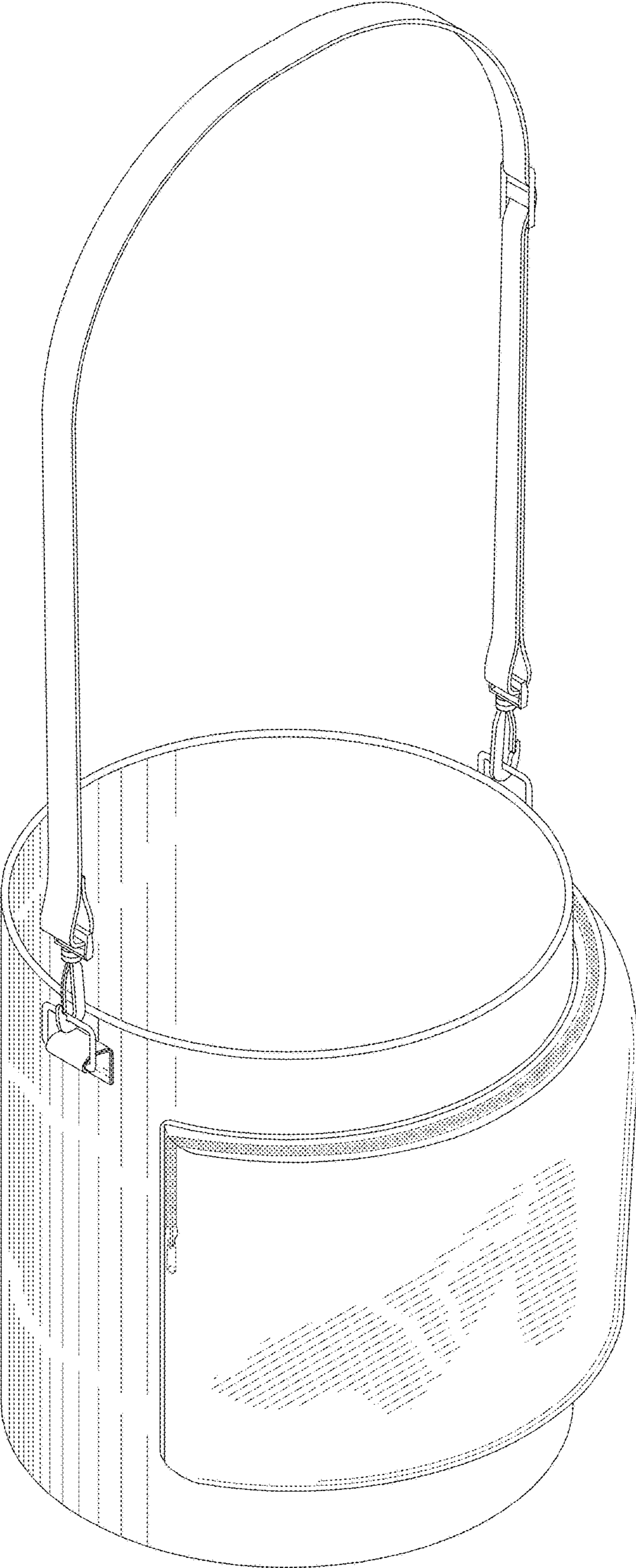


FIG. 2

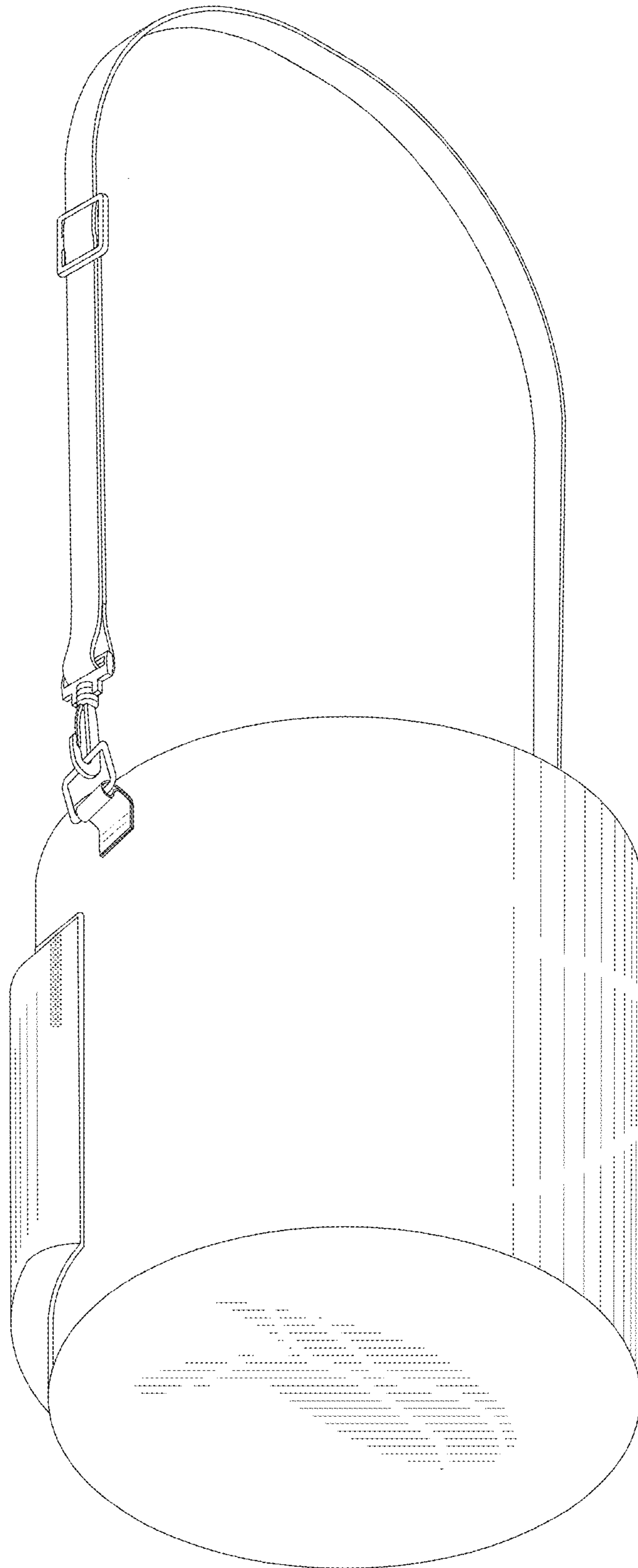


FIG. 3

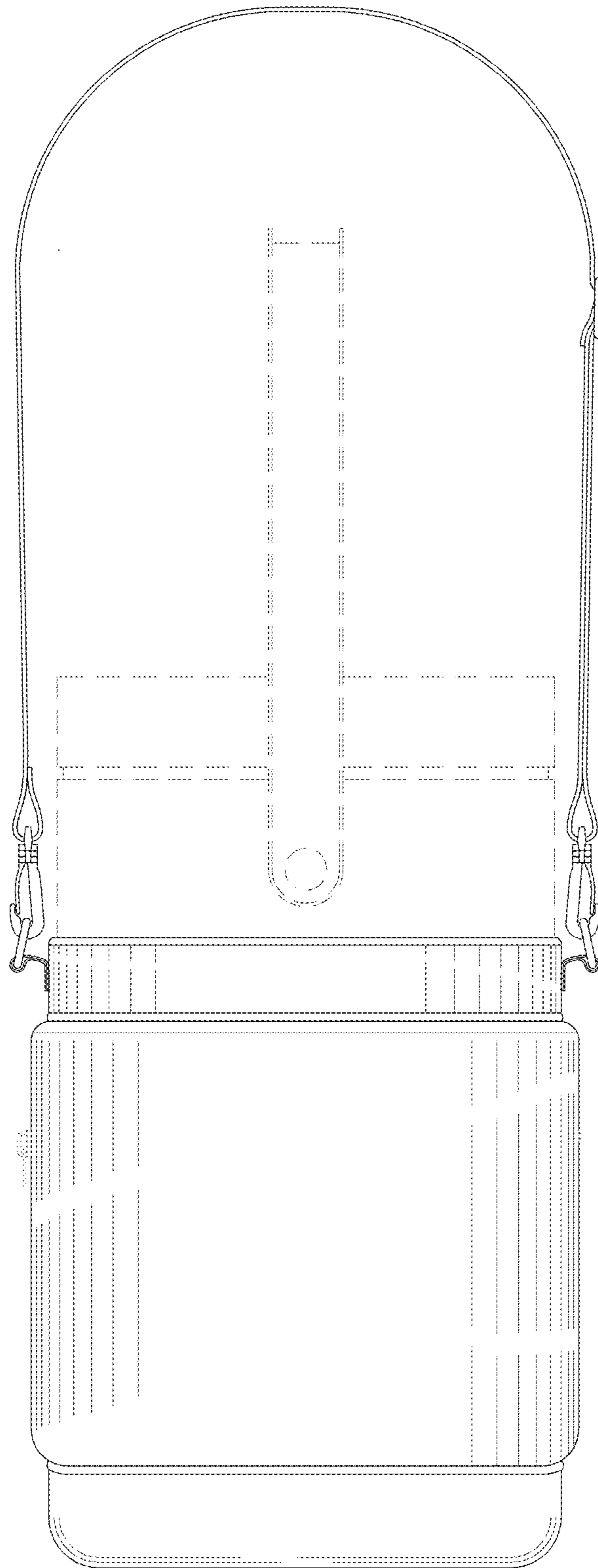
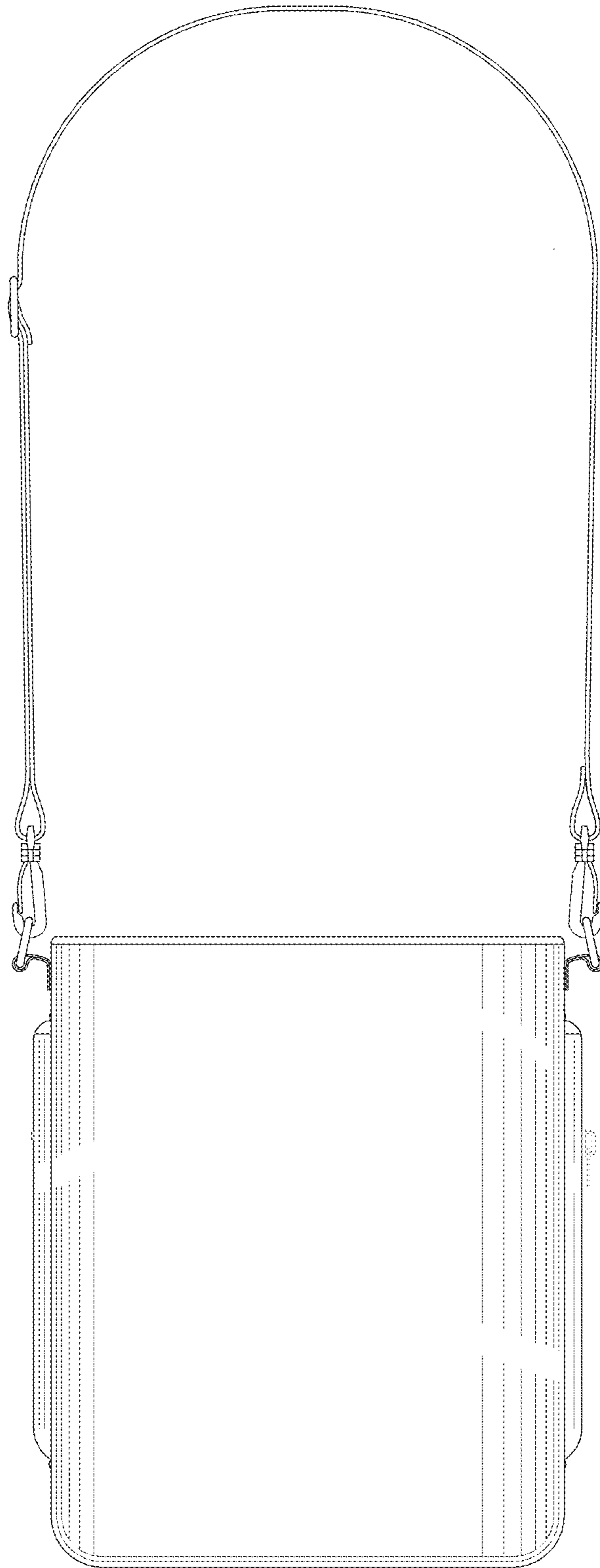




FIG. 4



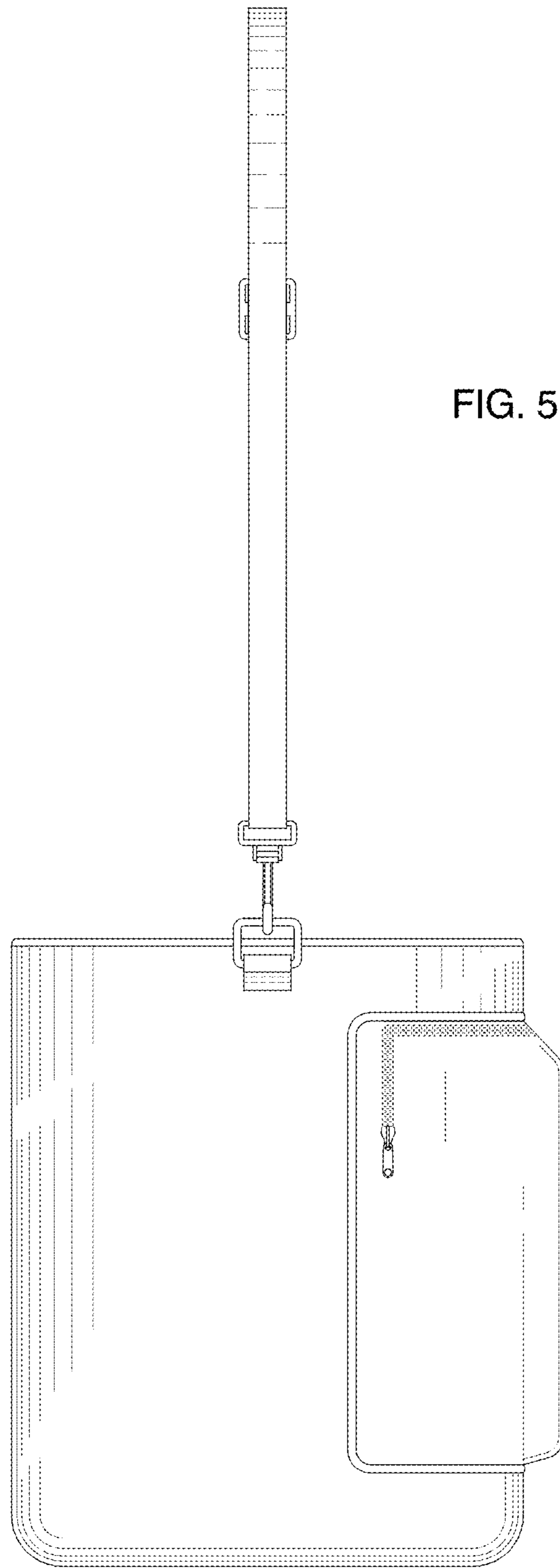


FIG. 5

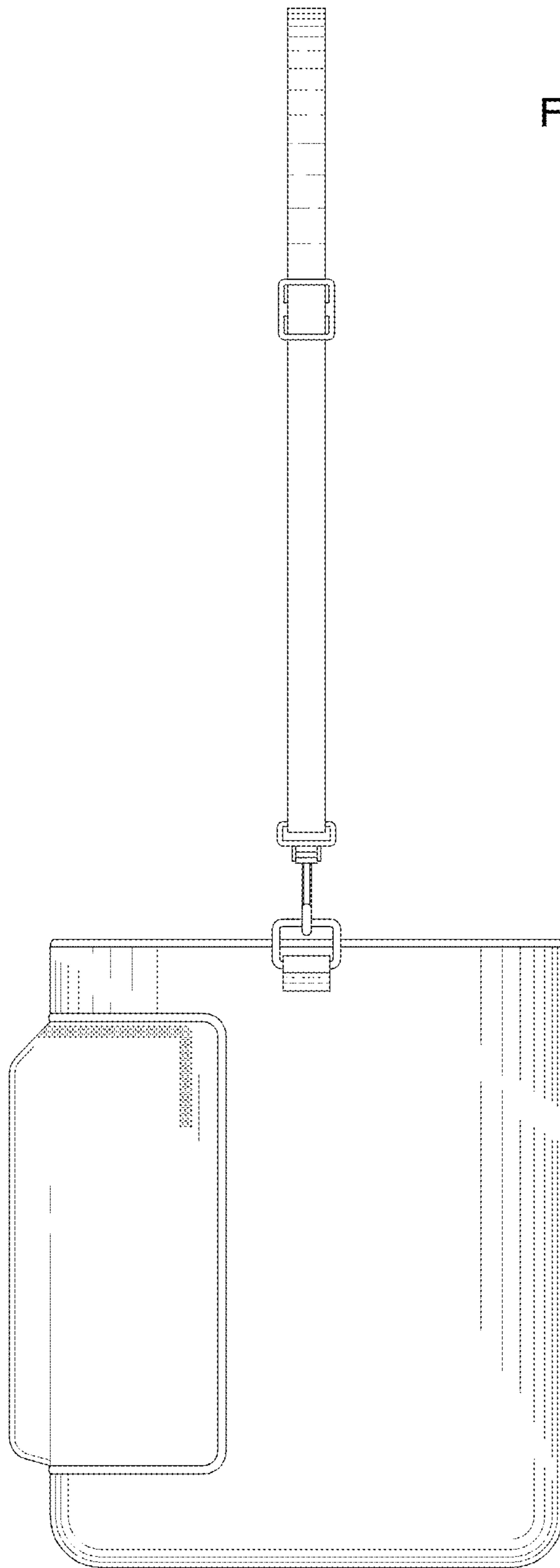


FIG. 6



FIG. 7

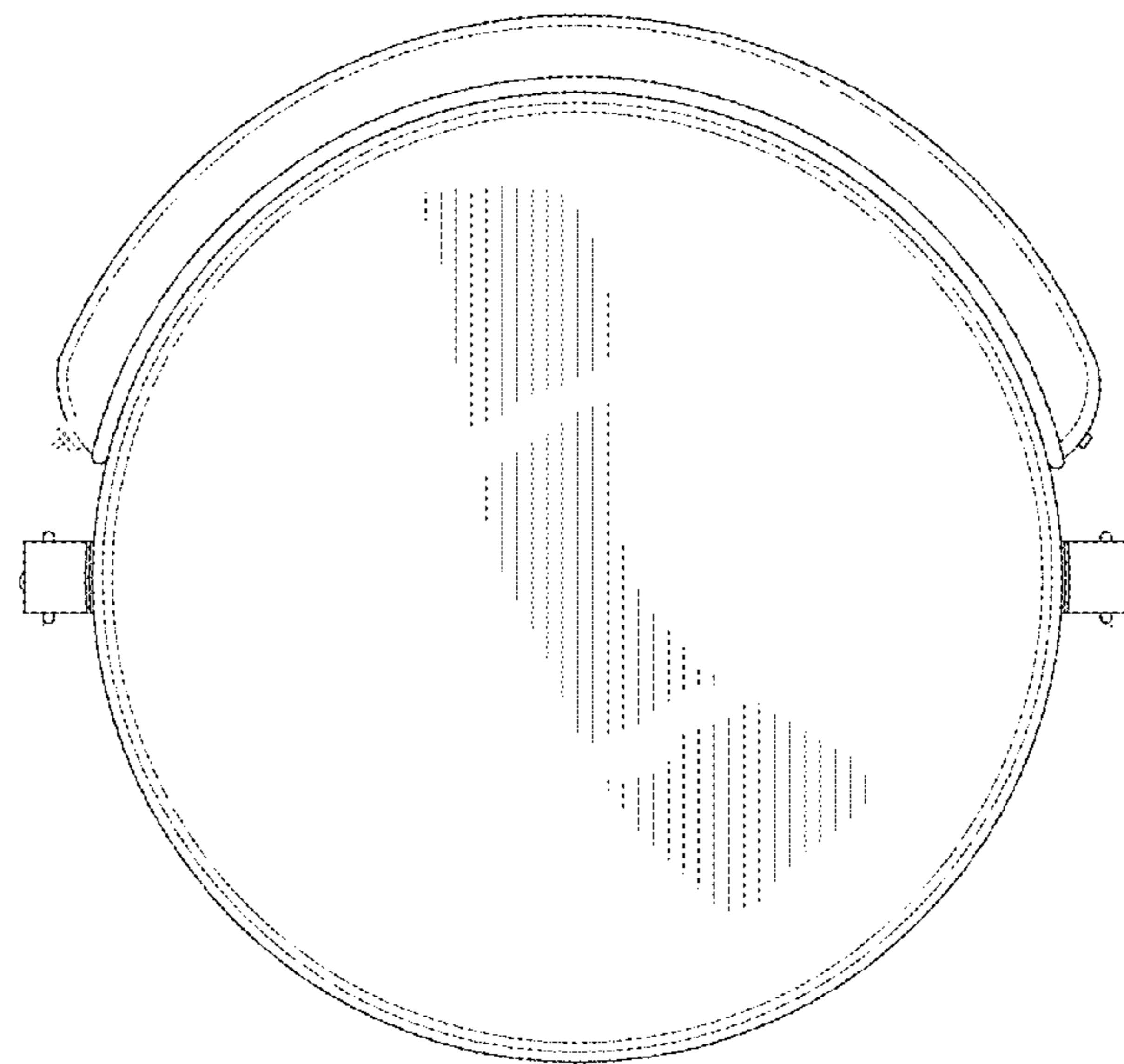
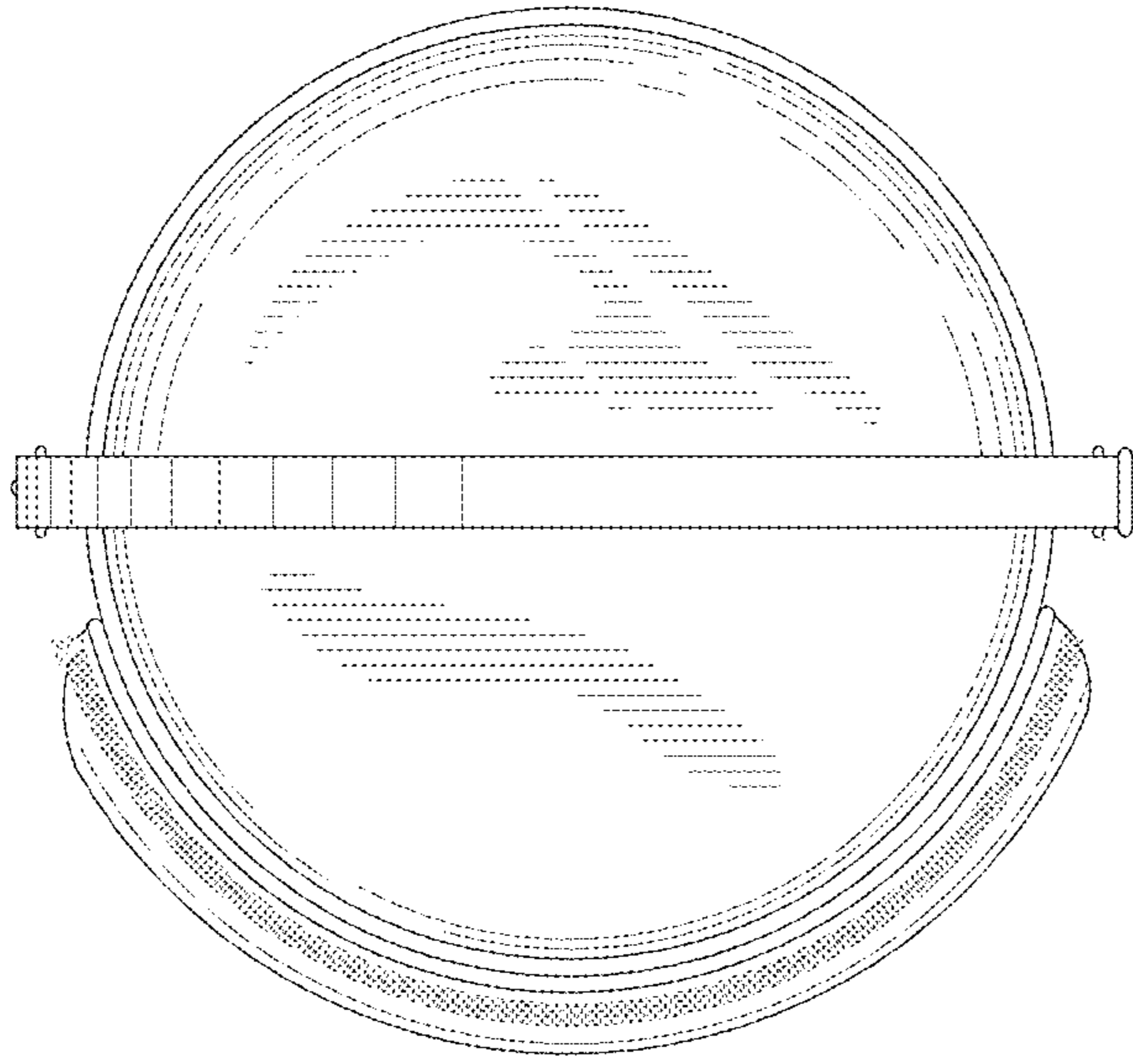


FIG. 8