



US00D780441S

(12) **United States Design Patent** (10) **Patent No.:** **US D780,441 S**  
**Mathews, Jr.** (45) **Date of Patent:** **\*\* Mar. 7, 2017**

(54) **SCAFFOLD WRENCH HOLSTER WITH RETRACTOR**

(71) Applicant: **D B Industries, LLC**, Red Wing, MN (US)

(72) Inventor: **William J. Mathews, Jr.**, Woodstock, GA (US)

(73) Assignee: **D B Industries, LLC**, Red Wing, MN (US)

(\*\*) Term: **14 Years**

(21) Appl. No.: **29/524,941**

(22) Filed: **Apr. 24, 2015**

(51) **LOC (10) Cl.** ..... **03-01**

(52) **U.S. Cl.**  
USPC ..... **D3/228**

(58) **Field of Classification Search**  
USPC ..... D3/228, 215, 218-219, 224, 226;  
224/162, 183, 665, 672, 674-675,  
224/678-681; 206/372-379  
CPC .... A45F 3/04; A45F 3/005; A45F 3/14; A45F  
5/00; A45F 5/02; A45F 2200/05; A45F  
2200/0575; B25H 3/00  
See application file for complete search history.

(56) **References Cited**

U.S. PATENT DOCUMENTS

D405,955 S \* 2/1999 Russell ..... D3/228  
D707,962 S \* 7/2014 Moreau ..... D3/228

\* cited by examiner

*Primary Examiner* — Catheri Oliver-Garcia

(74) *Attorney, Agent, or Firm* — Dicke, Billig & Czaja, PLLC

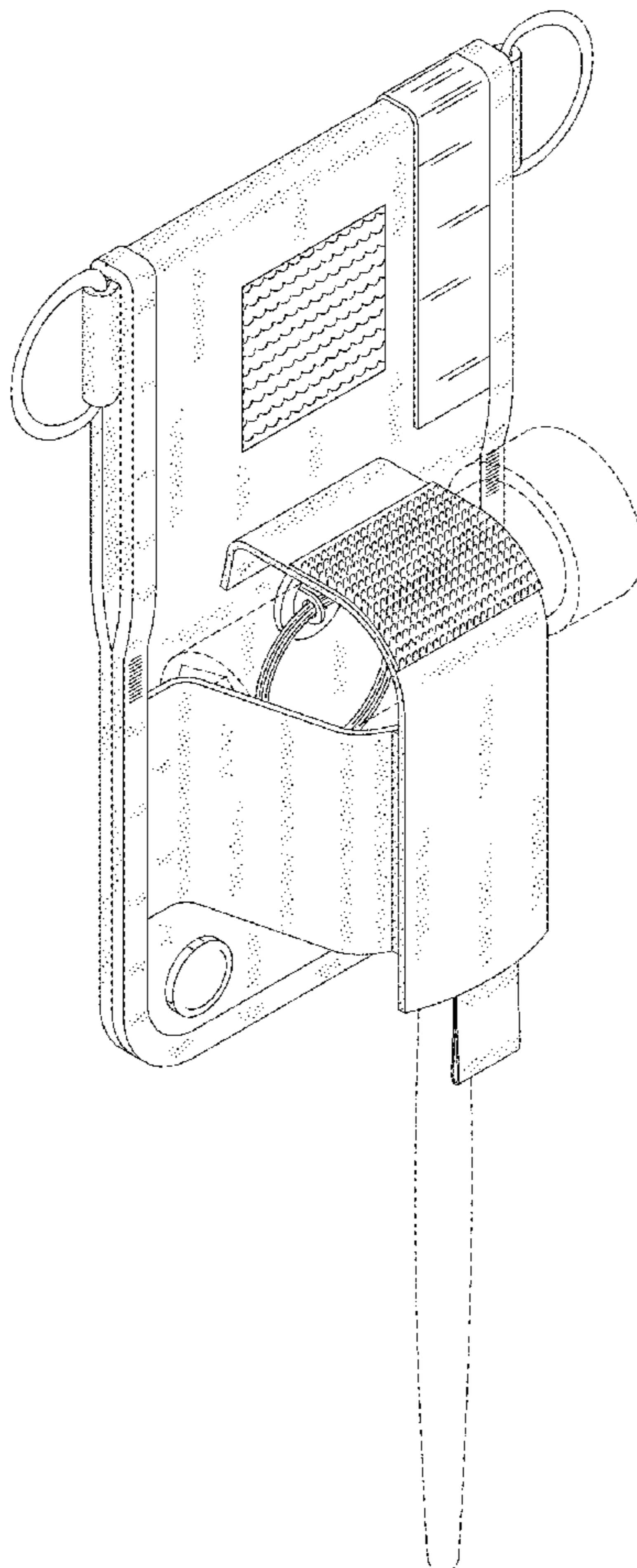
(57) **CLAIM**

The ornamental design for the scaffold wrench holster with retractor, as shown and described.

**DESCRIPTION**

FIG. 1 is a perspective view of our new scaffold wrench holster with retractor showing our new design; FIG. 2 is a front elevational view thereof; FIG. 3 is a rear elevational view thereof; FIG. 4 is a right side elevational view thereof, the left side being a mirror image thereof; FIG. 5 is a top plan view thereof; and, FIG. 6 is a bottom plan view thereof. The scaffold wrench depicts environmental structure that forms no part of the claimed design.

**1 Claim, 3 Drawing Sheets**



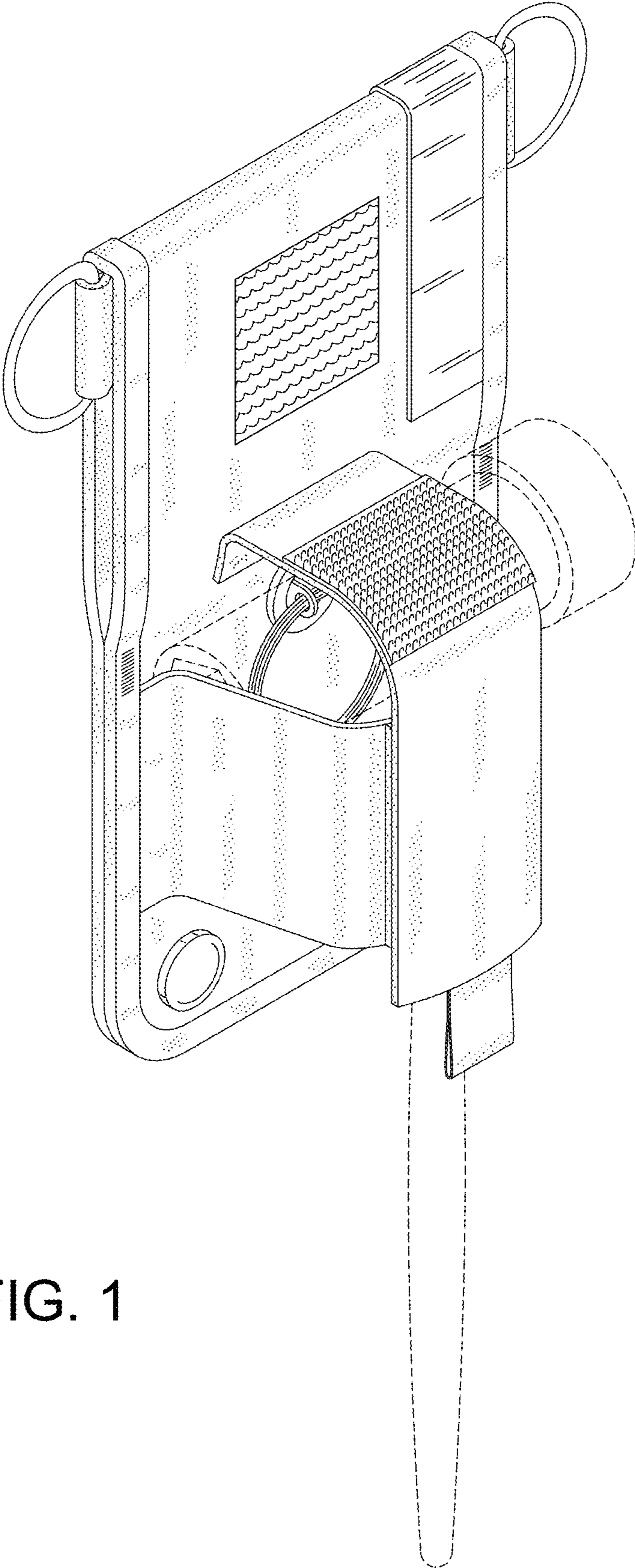


FIG. 1

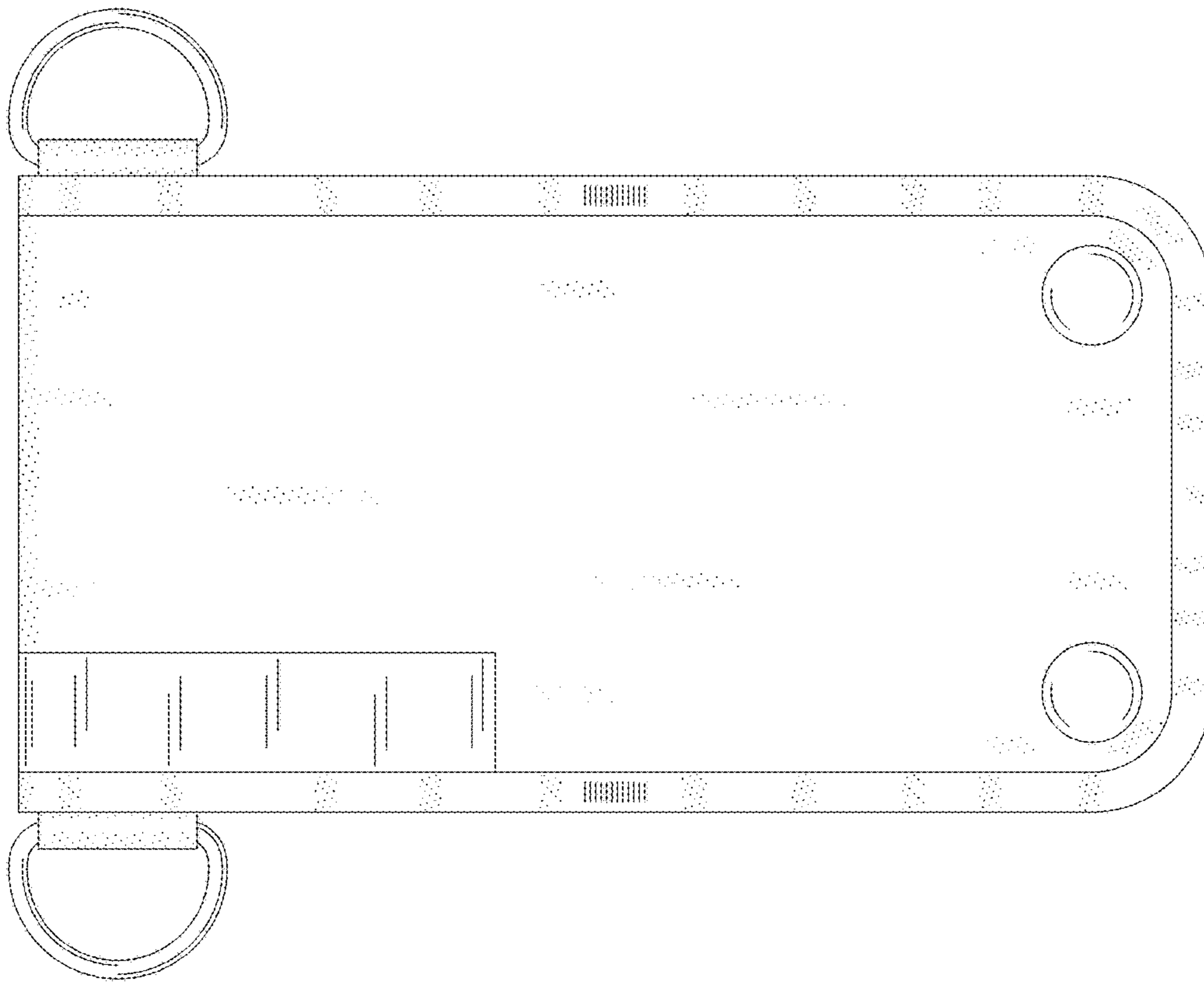


FIG. 3

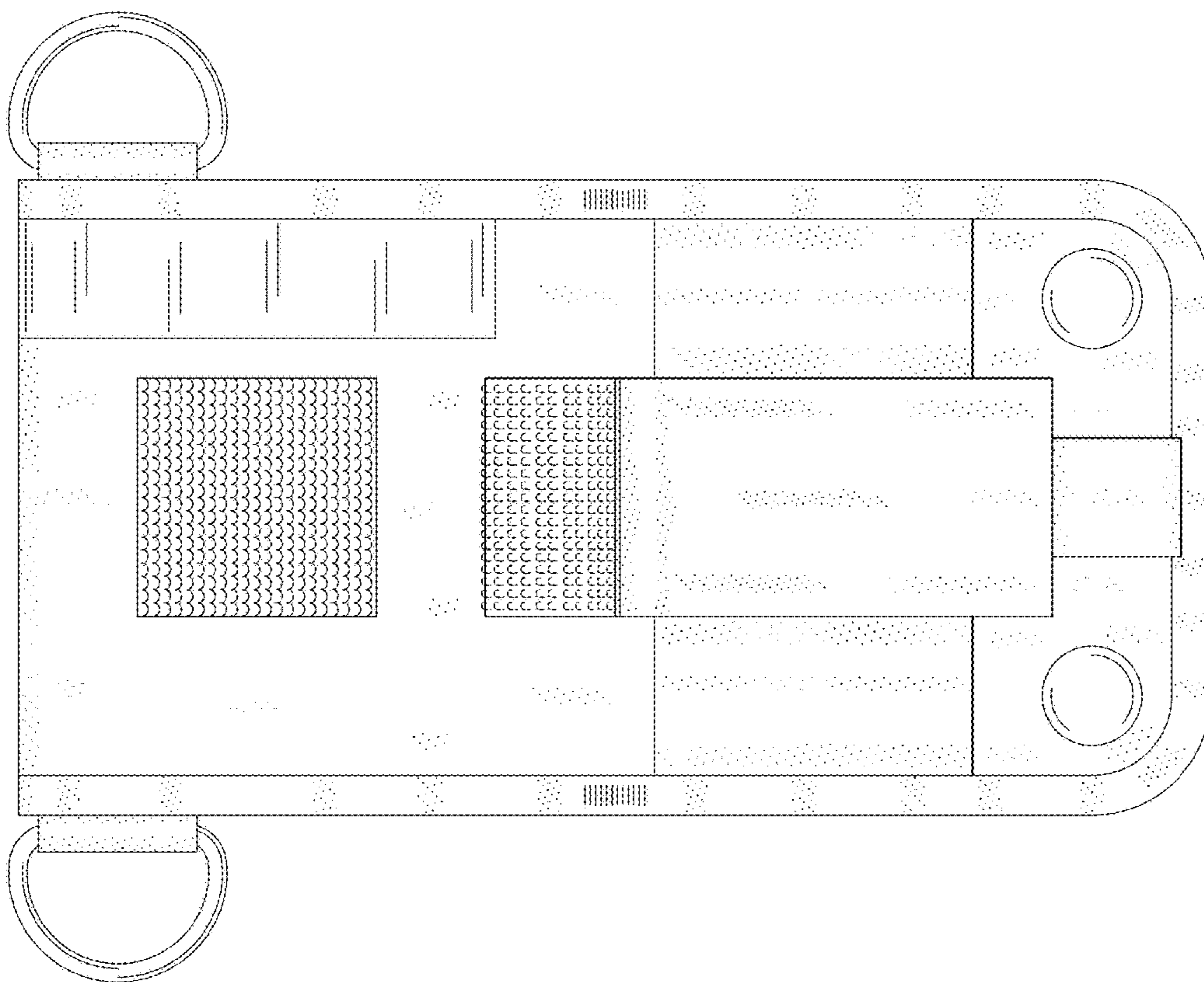


FIG. 2

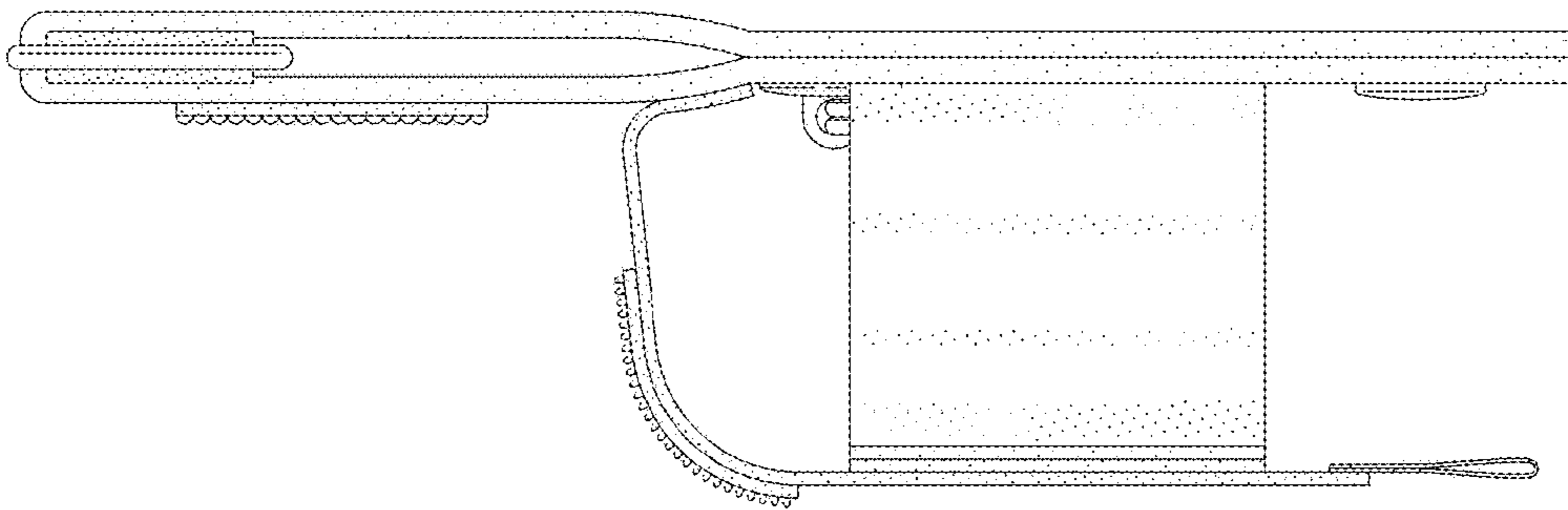


FIG. 4

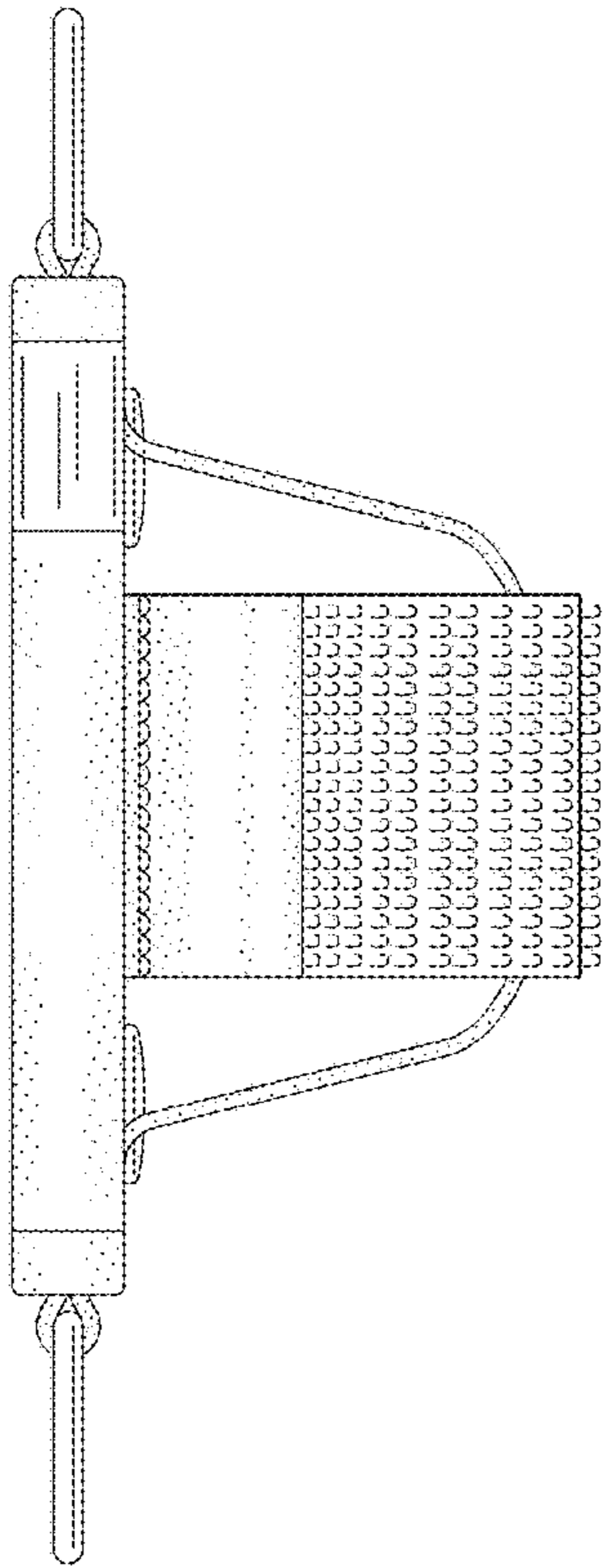


FIG. 5

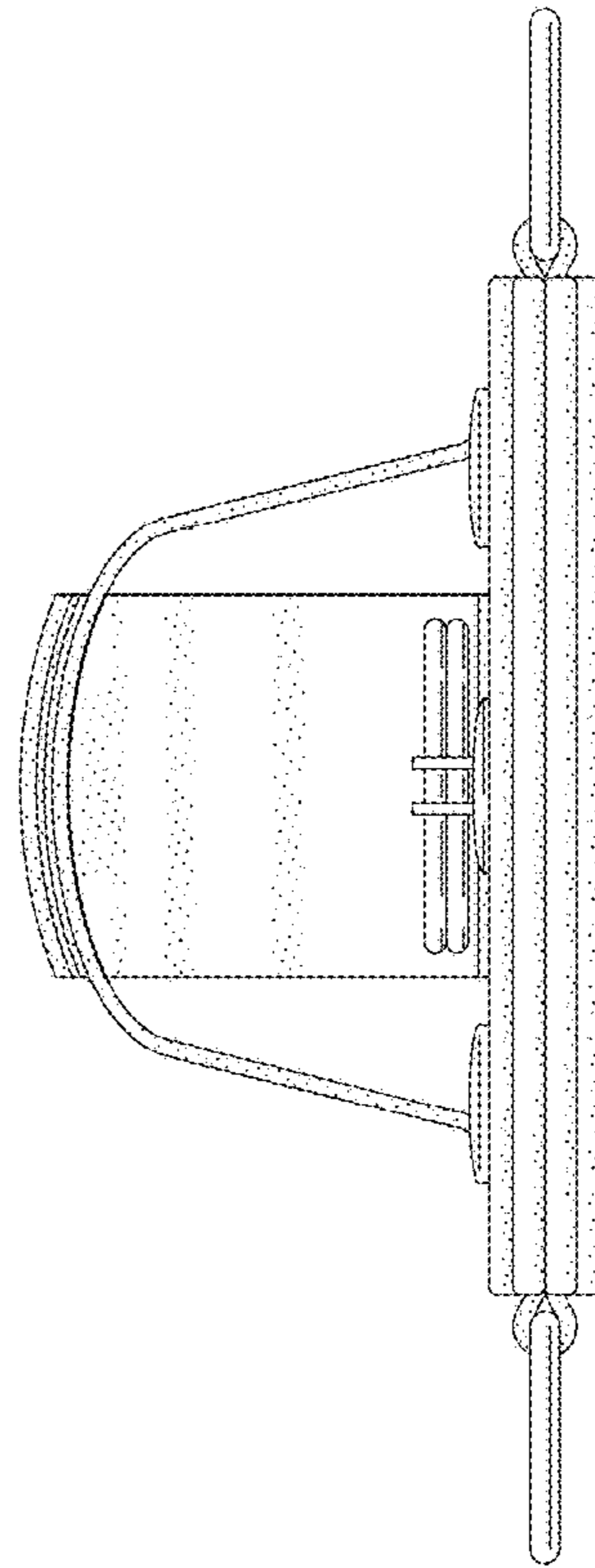


FIG. 6