



US00D780440S

(12) **United States Design Patent** (10) **Patent No.:** **US D780,440 S**
Mathews, Jr. (45) **Date of Patent:** **** Mar. 7, 2017**

(54) **ADJUSTABLE ELECTRONIC DEVICE HOLDER**

(71) Applicant: **D B Industries, LLC**, Red Wing, MN (US)

(72) Inventor: **William J. Mathews, Jr.**, Woodstock, GA (US)

(73) Assignee: **D B Industries, LLC**, Red Wing, MN (US)

(**) Term: **14 Years**

(21) Appl. No.: **29/523,975**

(22) Filed: **Apr. 15, 2015**

(51) **LOC (10) Cl.** **03-01**

(52) **U.S. Cl.**
USPC **D3/228**

(58) **Field of Classification Search**
USPC D3/228, 215, 218, 225, 230; 224/236, 224/240, 245-246, 901, 904; 206/305, 206/320
CPC A45F 5/00; A45F 5/02; A45F 5/021; A45F 2200/05; A45F 2200/0508; A45F 2200/0516; A45F 2200/0525; Y10S 224/904

See application file for complete search history.

(56) **References Cited**

U.S. PATENT DOCUMENTS

D412,059 S *	7/1999	White	D3/215
D461,308 S *	8/2002	Snider	D3/228
D551,847 S *	10/2007	Yeap	D3/201
D705,536 S *	5/2014	Moreau	D3/228
D715,043 S *	10/2014	Rayeski	D3/218

* cited by examiner

Primary Examiner — Catheri Oliver-Garcia

(74) *Attorney, Agent, or Firm* — Dicke, Billig & Czaja, PLLC

(57) **CLAIM**

The ornamental design for the adjustable electronic device holder, as shown and described.

DESCRIPTION

FIG. 1 is a perspective view of our adjustable electronic device holder;

FIG. 2 is a front elevational view thereof;

FIG. 3 is a rear elevational view thereof;

FIG. 4 is a left side elevational view thereof;

FIG. 5 is a right side elevational view thereof;

FIG. 6 is a top plan view thereof; and,

FIG. 7 is a bottom plan view thereof.

1 Claim, 4 Drawing Sheets

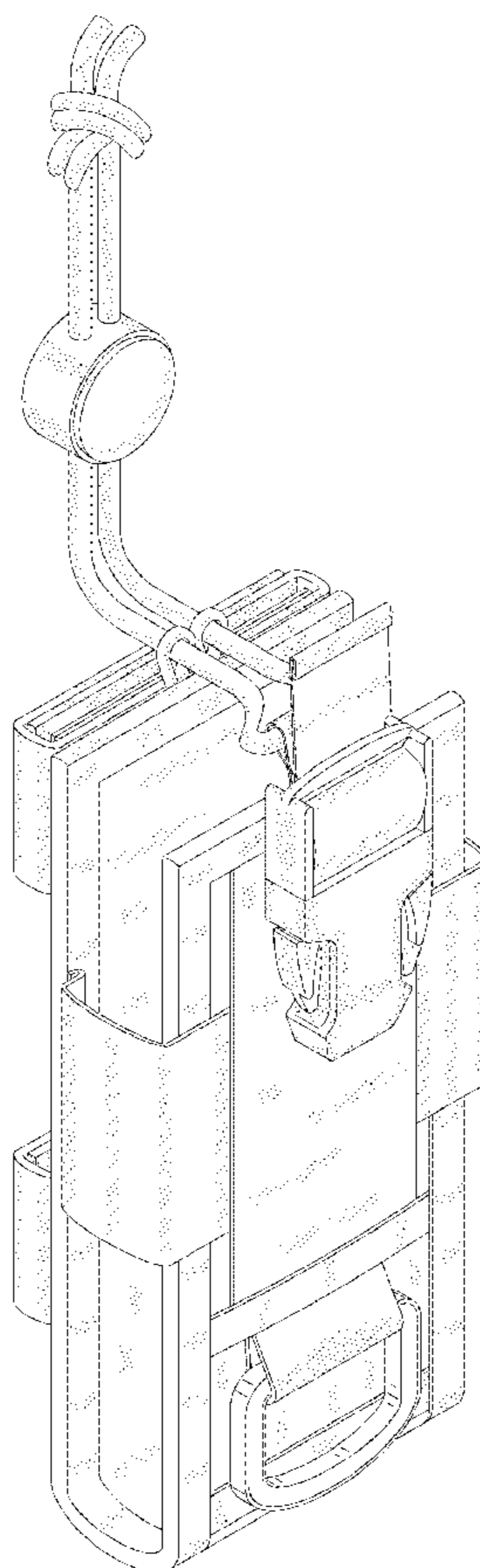
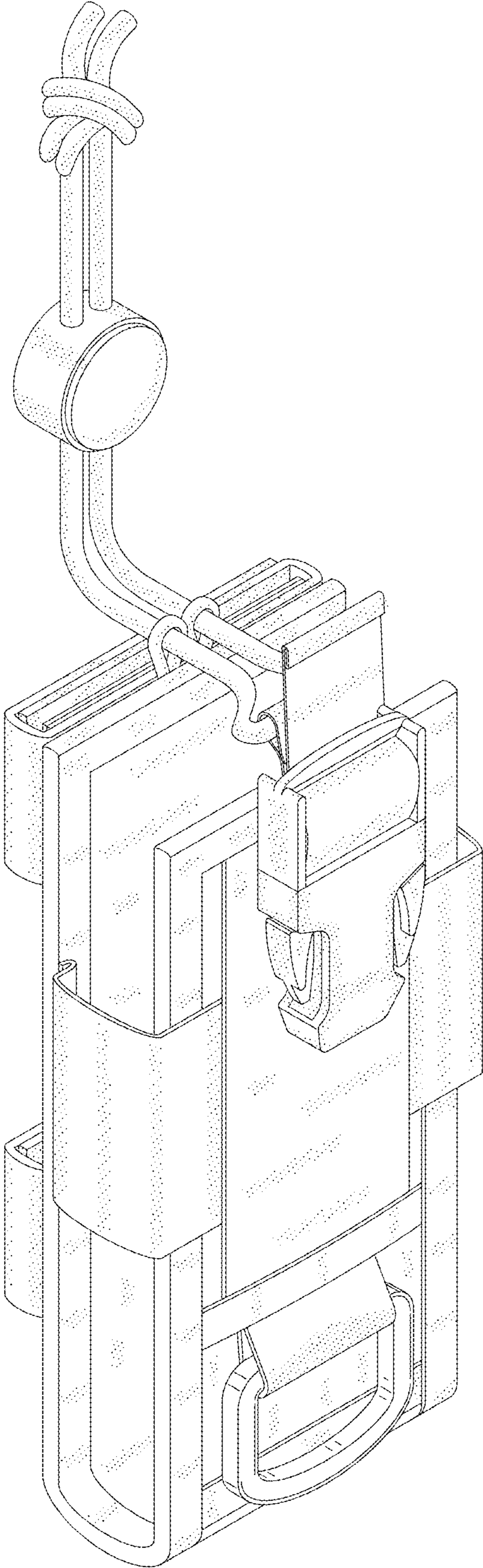


FIG. 1



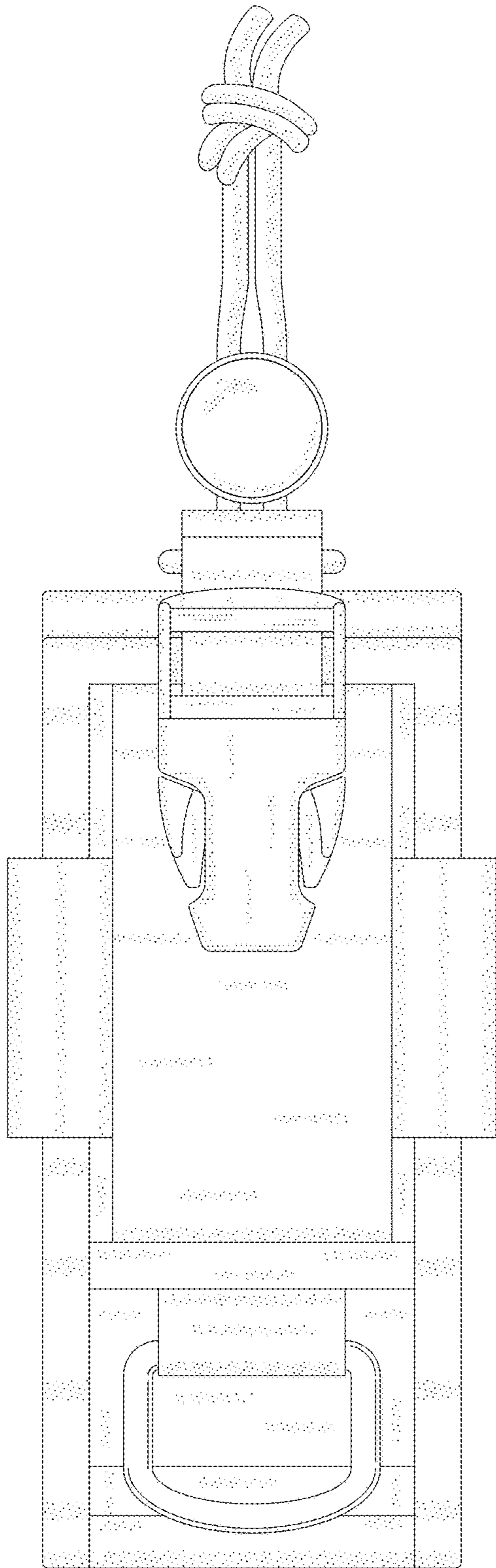


FIG. 2

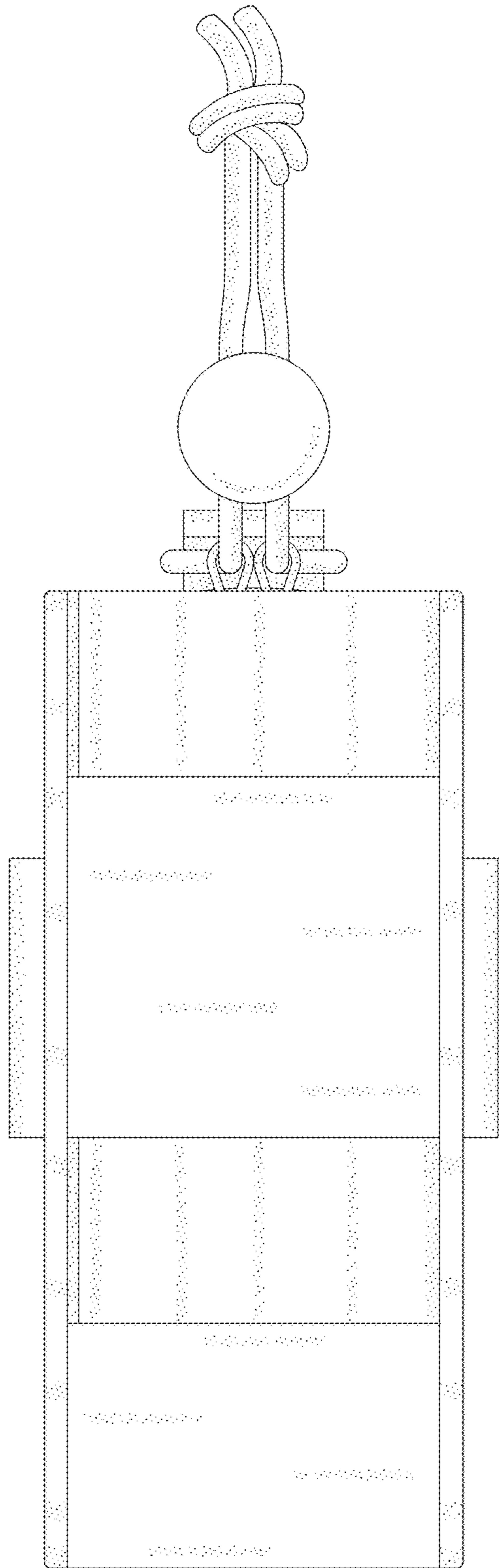


FIG. 3

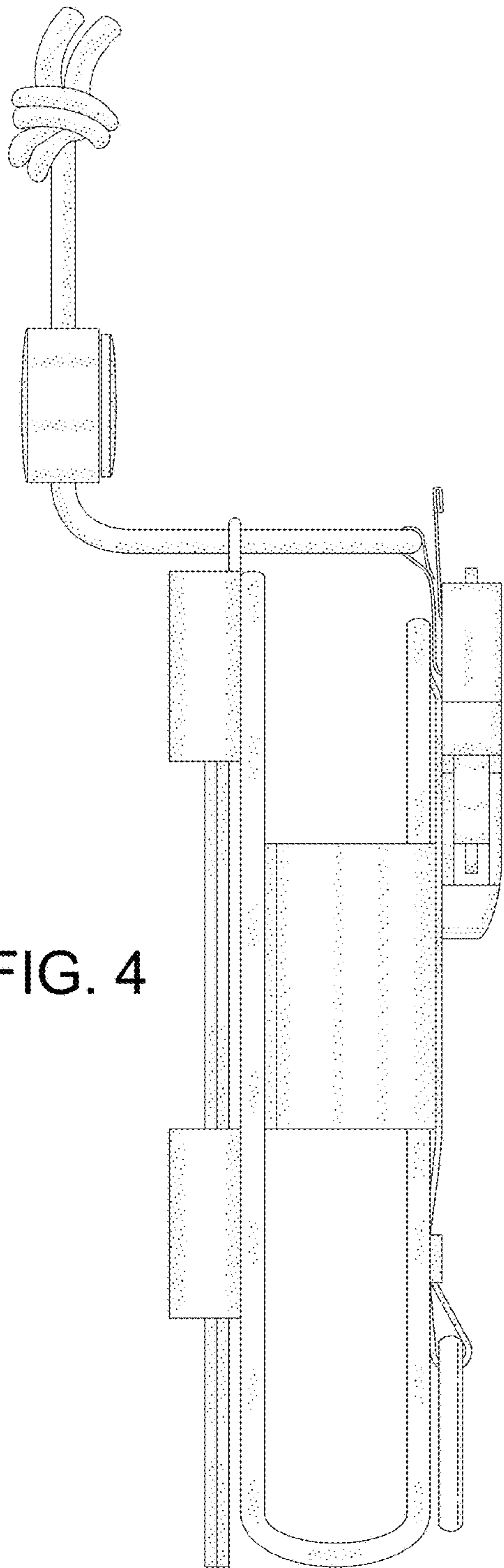


FIG. 4

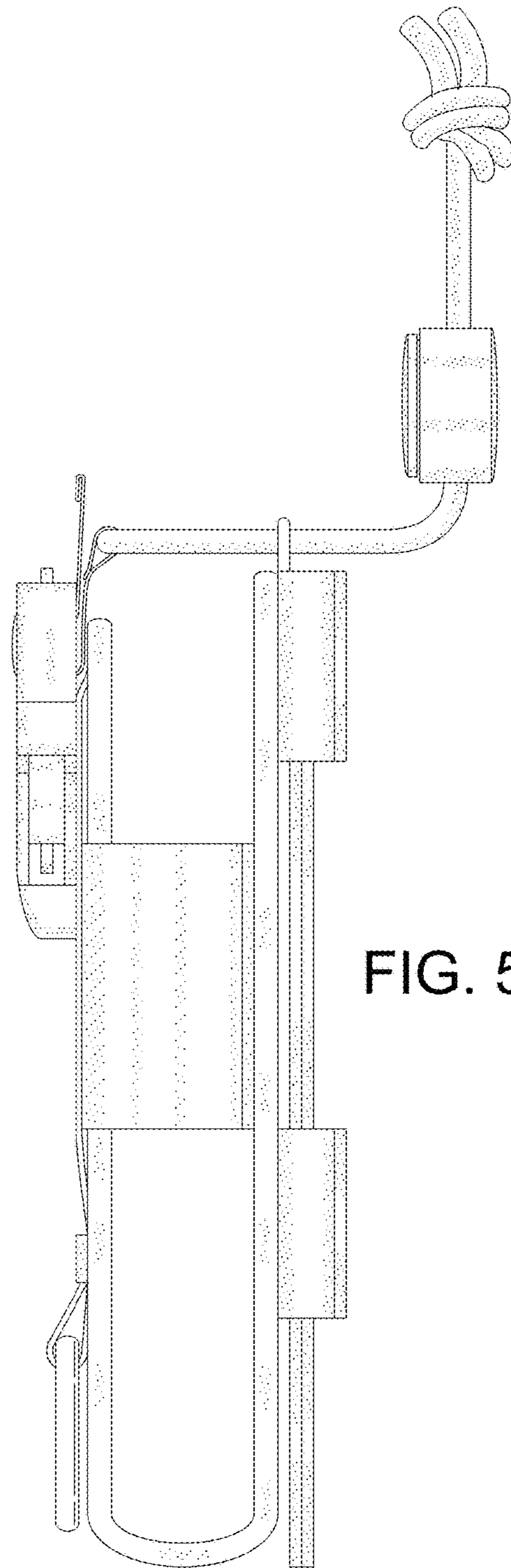


FIG. 5

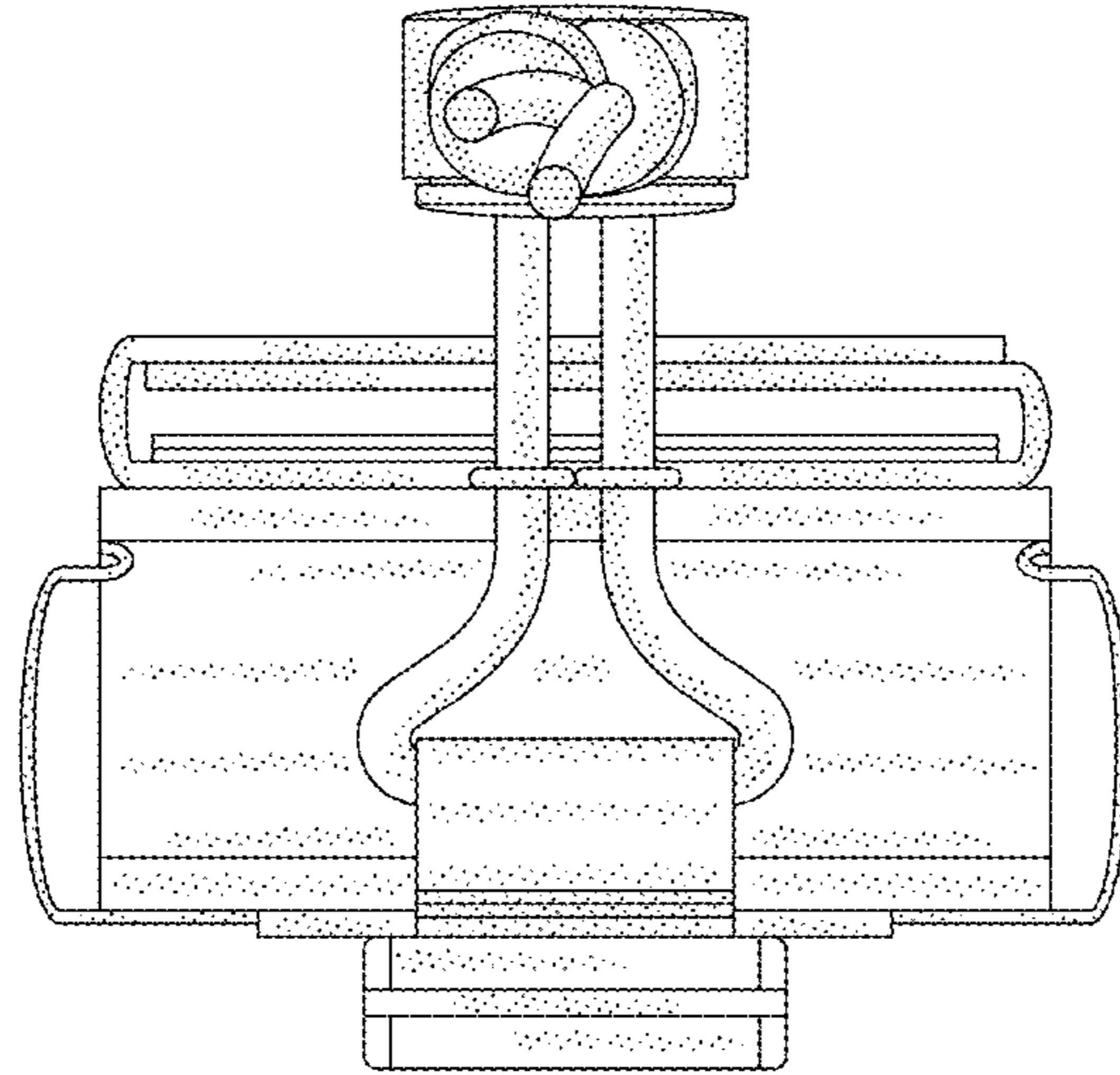


FIG. 6

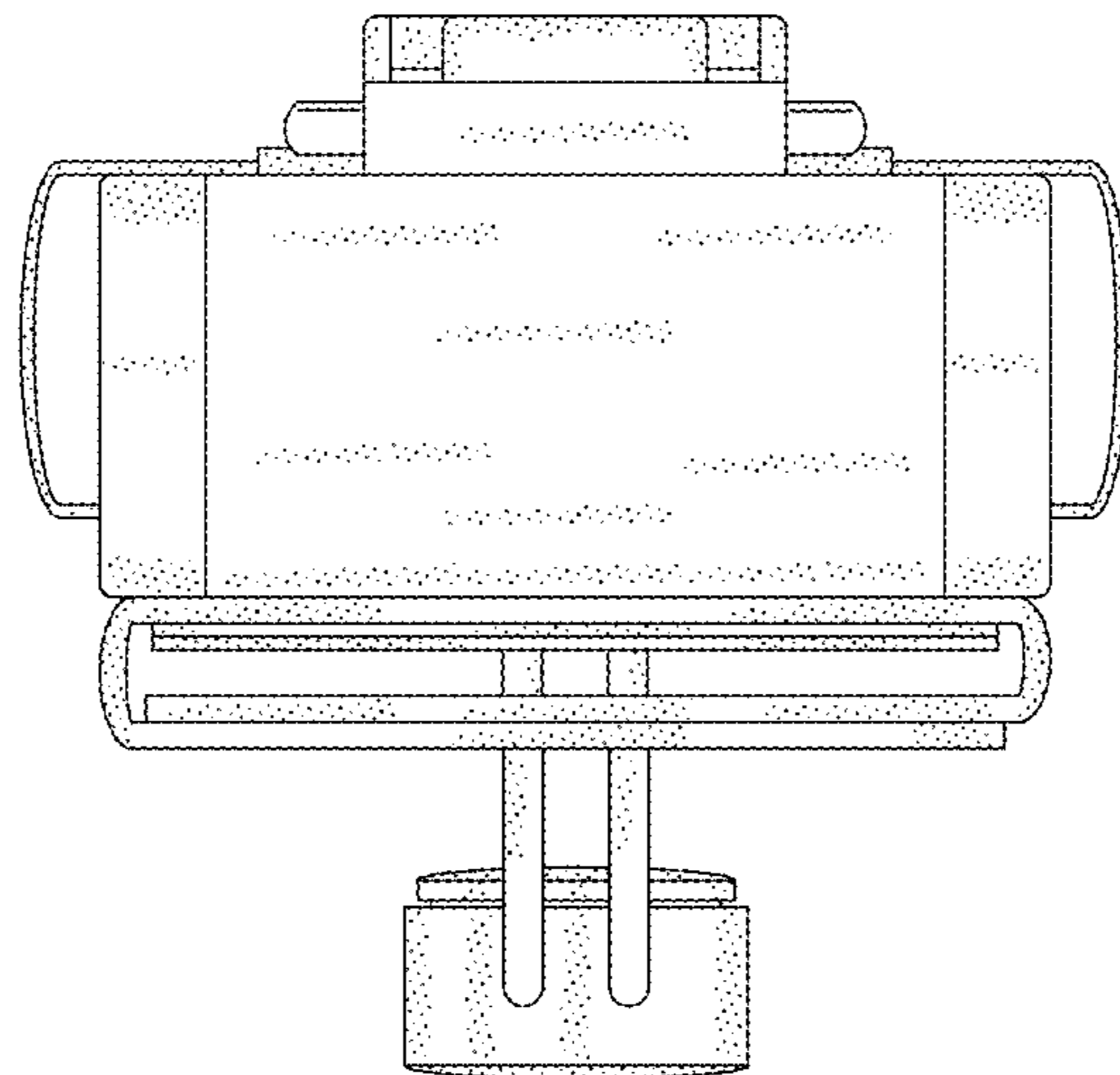


FIG. 7