



US00D780439S

(12) **United States Design Patent**
Moser

(10) **Patent No.:** **US D780,439 S**

(45) **Date of Patent:** **** Mar. 7, 2017**

(54) **AMMUNITION BOX COMPRESSOR**

(71) Applicant: **Q-INDUSTRIES, INC.**, Fort
Lauderdale, FL (US)

(72) Inventor: **John Moser**, Scottsdale, AZ (US)

(**) Term: **14 Years**

(21) Appl. No.: **29/461,214**

(22) Filed: **Jul. 19, 2013**

(51) **LOC (10) Cl.** **03-01**

(52) **U.S. Cl.**

USPC **D3/225**; D3/294

(58) **Field of Classification Search**

USPC D3/262, 225, 230, 272-274, 294, 904,
D3/221; 206/3, 315.1, 315.11, 711, 811;
220/4.25, 62.13, 274, 315, 322, 324, 326,
220/375, 693, 795; 89/34; 224/665, 667,
224/671, 679-680, 931

See application file for complete search history.

(56) **References Cited**

U.S. PATENT DOCUMENTS

D237,611 S * 11/1975 Minneman D3/225
4,194,657 A * 3/1980 Thor 224/667

D263,987 S * 4/1982 Milliman D3/225
D284,714 S * 7/1986 Thor D3/225
8,231,038 B2 * 7/2012 Felts 224/665
8,496,133 B2 * 7/2013 Mizukoshi et al. 220/693
D712,141 S * 9/2014 Minneman D3/262
D721,489 S * 1/2015 Minneman D3/262

* cited by examiner

Primary Examiner — Catheri Oliver-Garcia

(74) *Attorney, Agent, or Firm* — Michael C. Cesarano,
P.A.

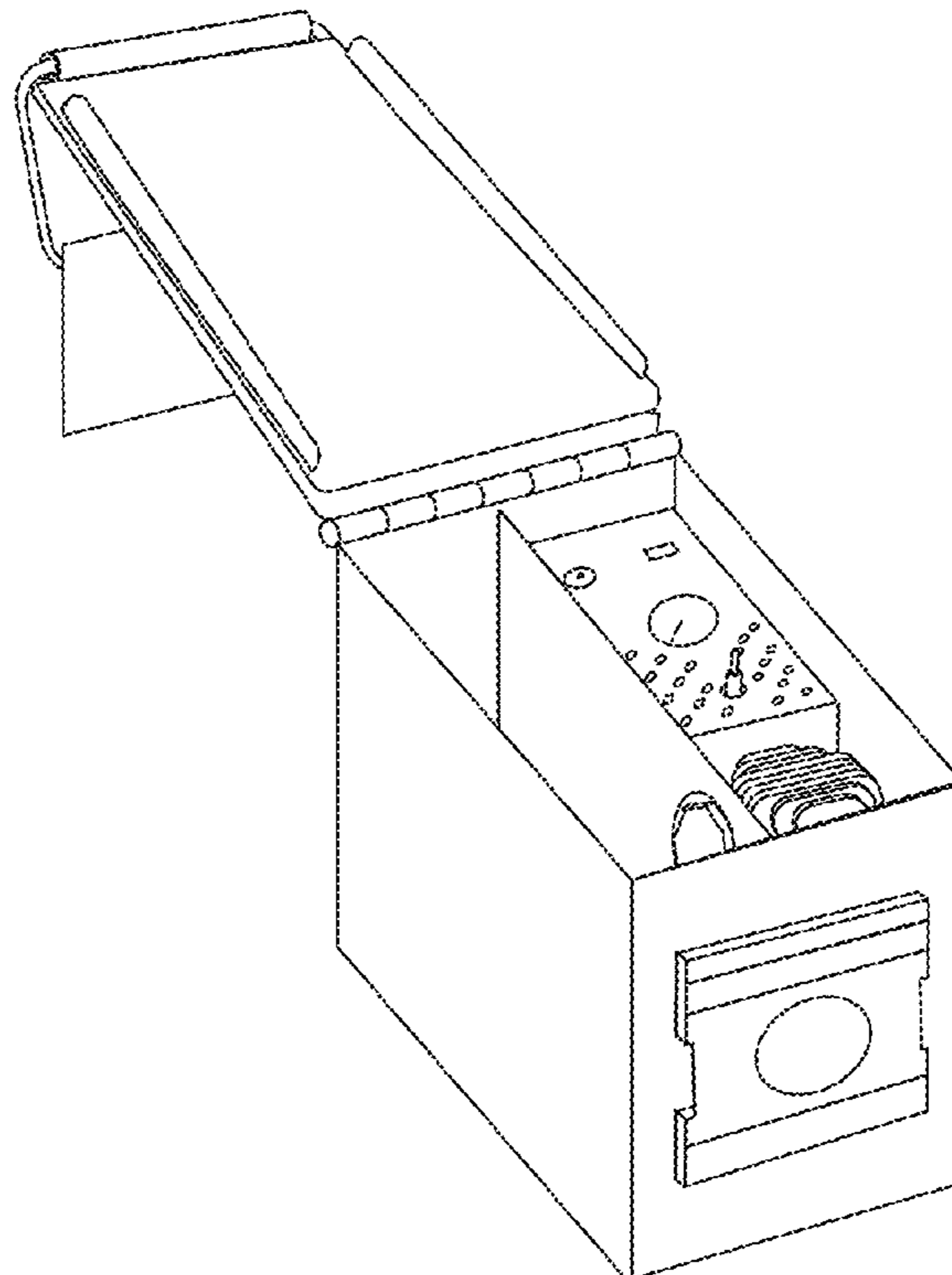
(57) **CLAIM**

The ornamental design for an “ammunition box compressor,” as shown and described.

DESCRIPTION

FIG. 1 is a front elevational view of the ammunition box compressor, showing the present invention.
FIG. 2 is a left side elevational view thereof.
FIG. 3 is a right side elevational view thereof.
FIG. 4 is a top plan view thereof.
FIG. 5 is a bottom view thereof.
FIG. 6 is a rear elevational view thereof; and,
FIG. 7 is a perspective view thereof.
In all views, the top lid is shown in the open position.

1 Claim, 3 Drawing Sheets



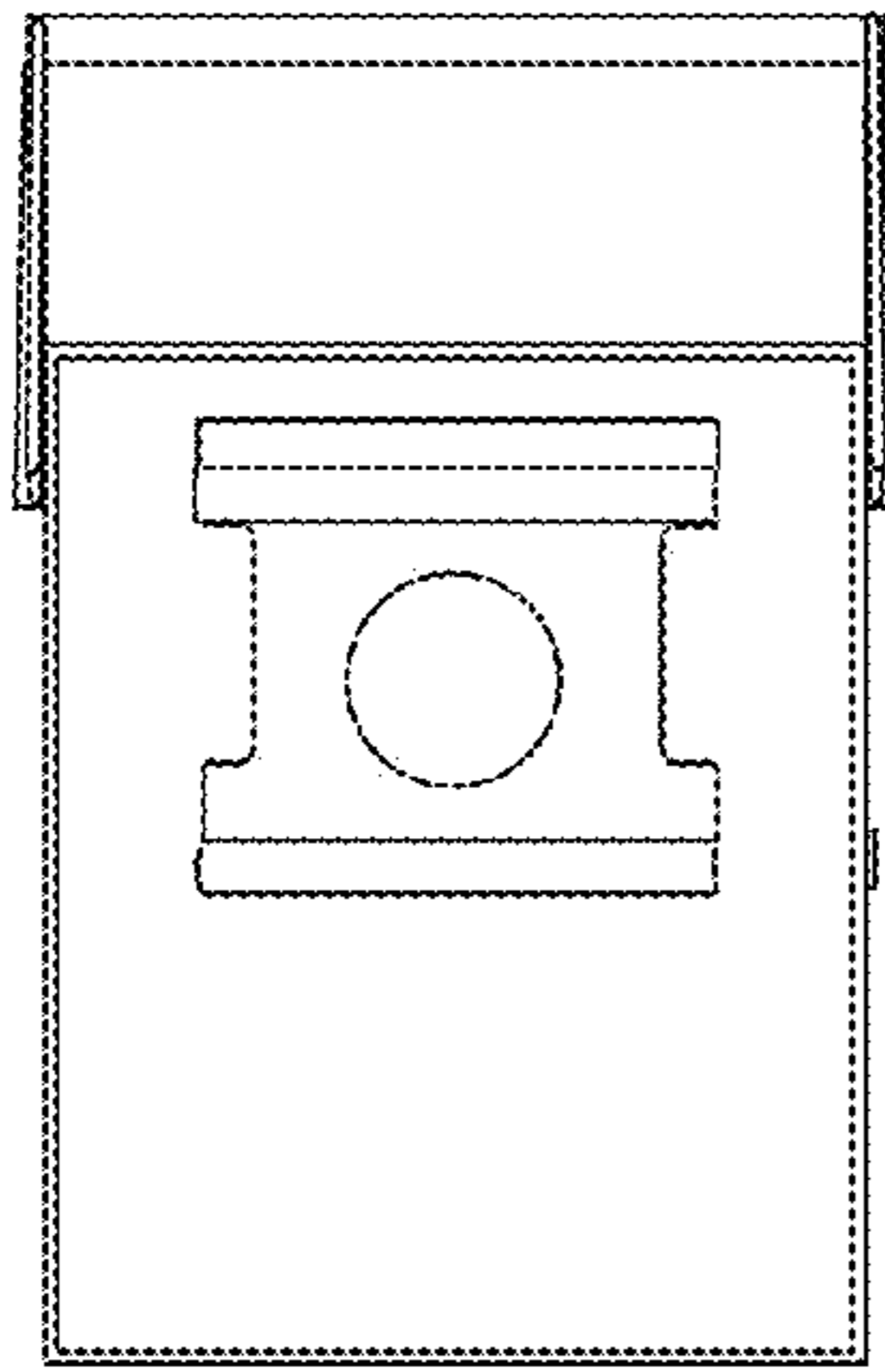


Fig. 1

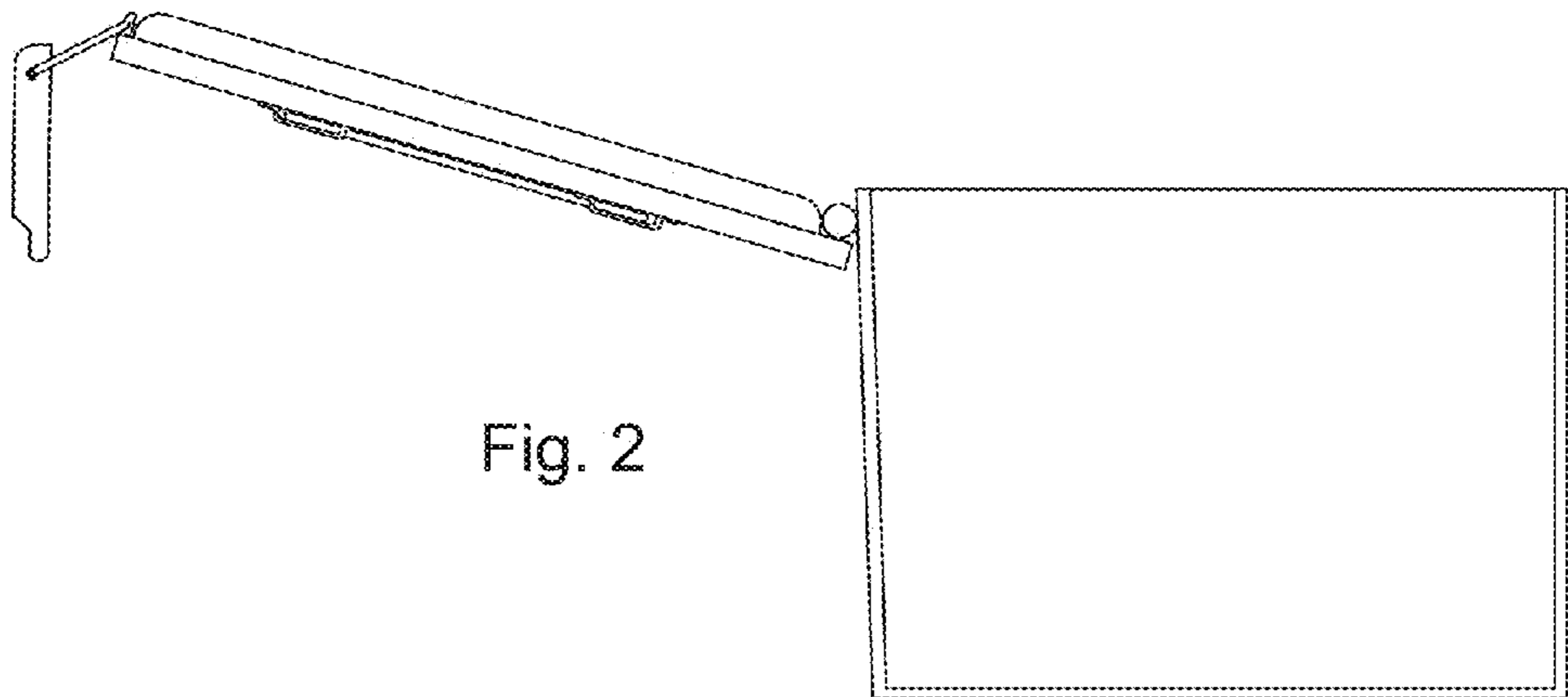


Fig. 2

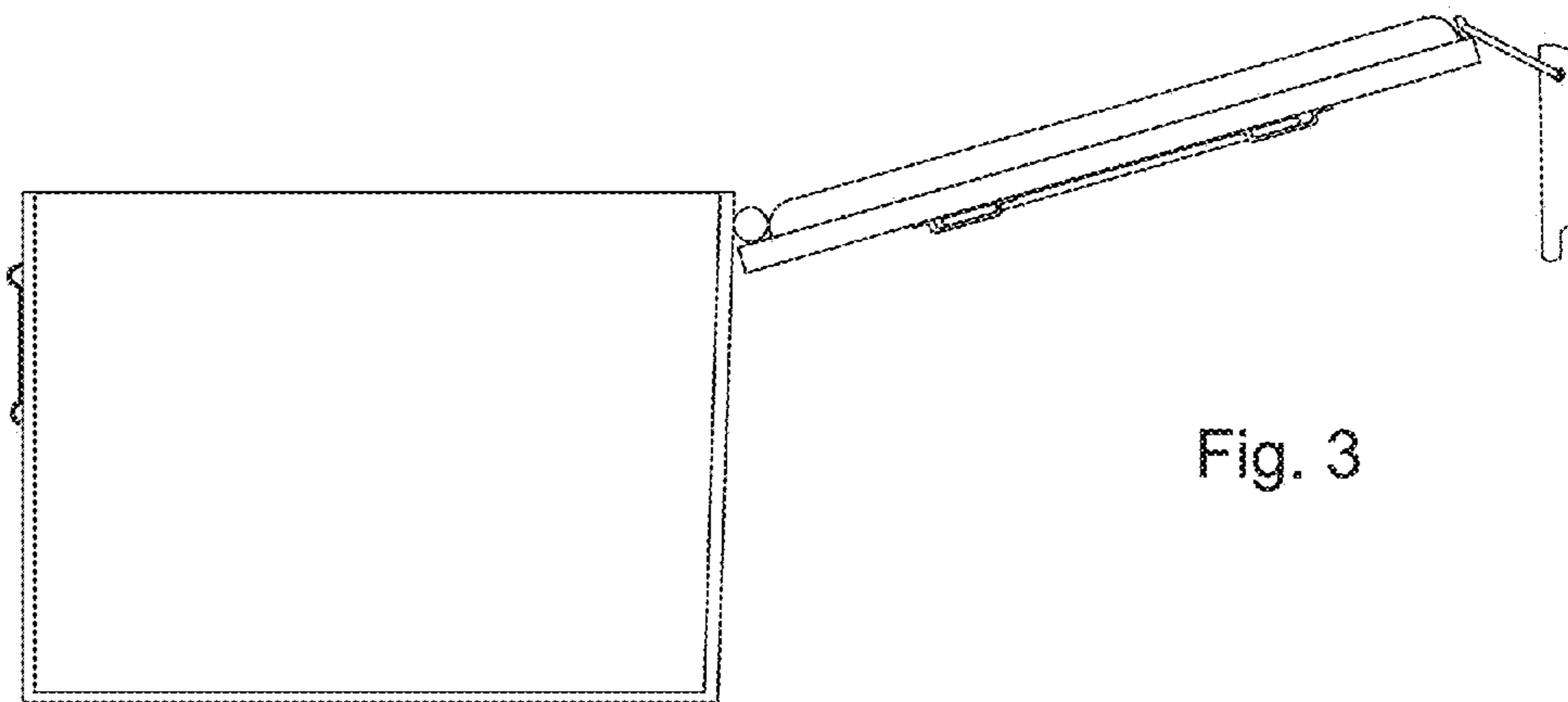


Fig. 3

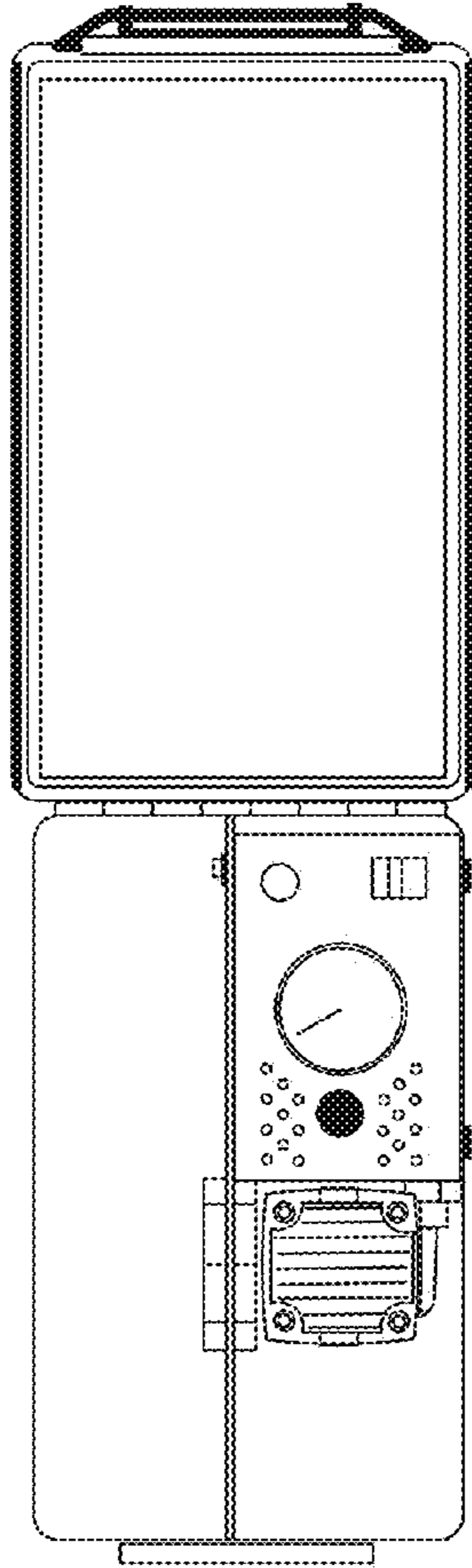


Fig. 4

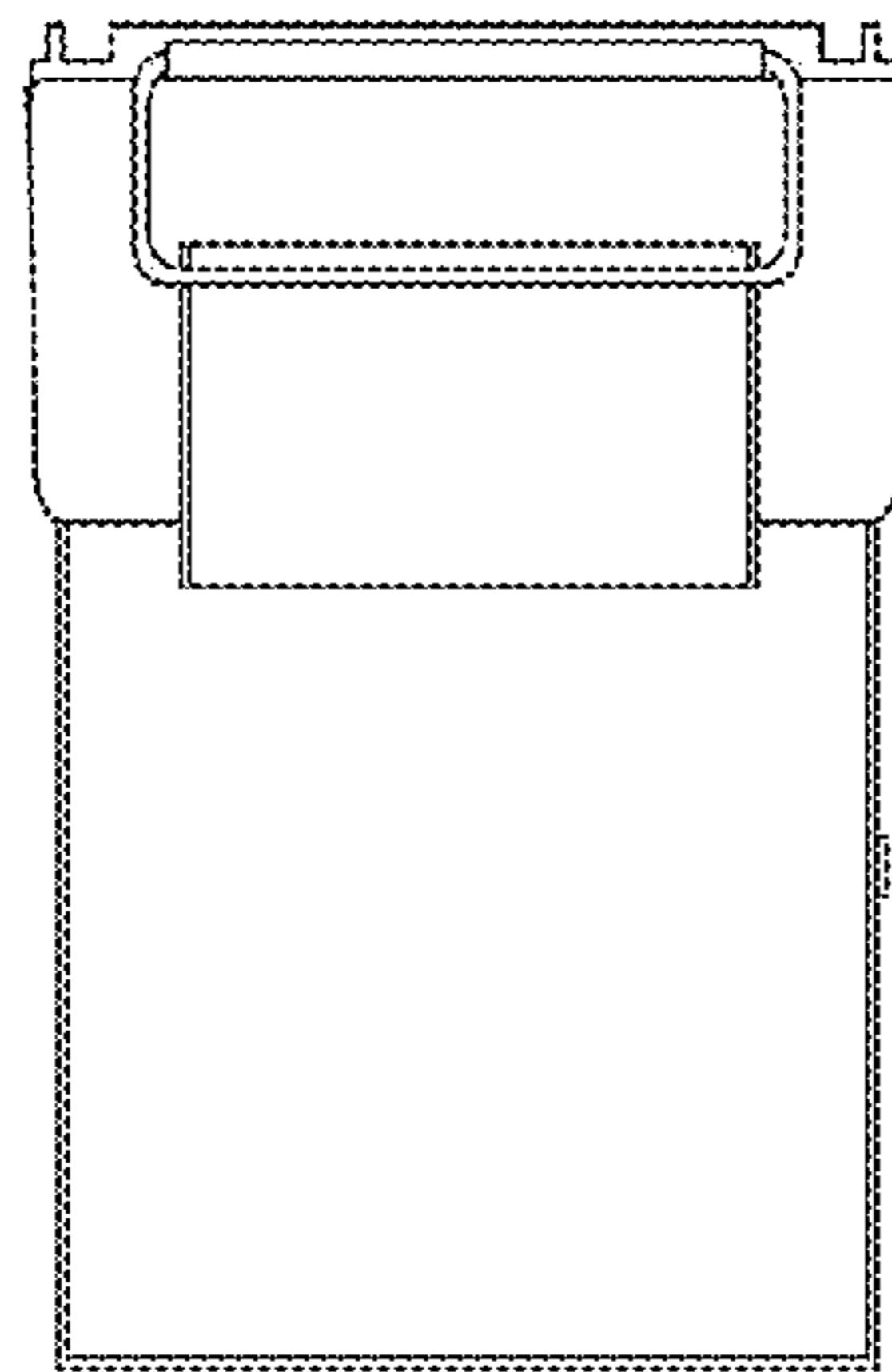


Fig. 6

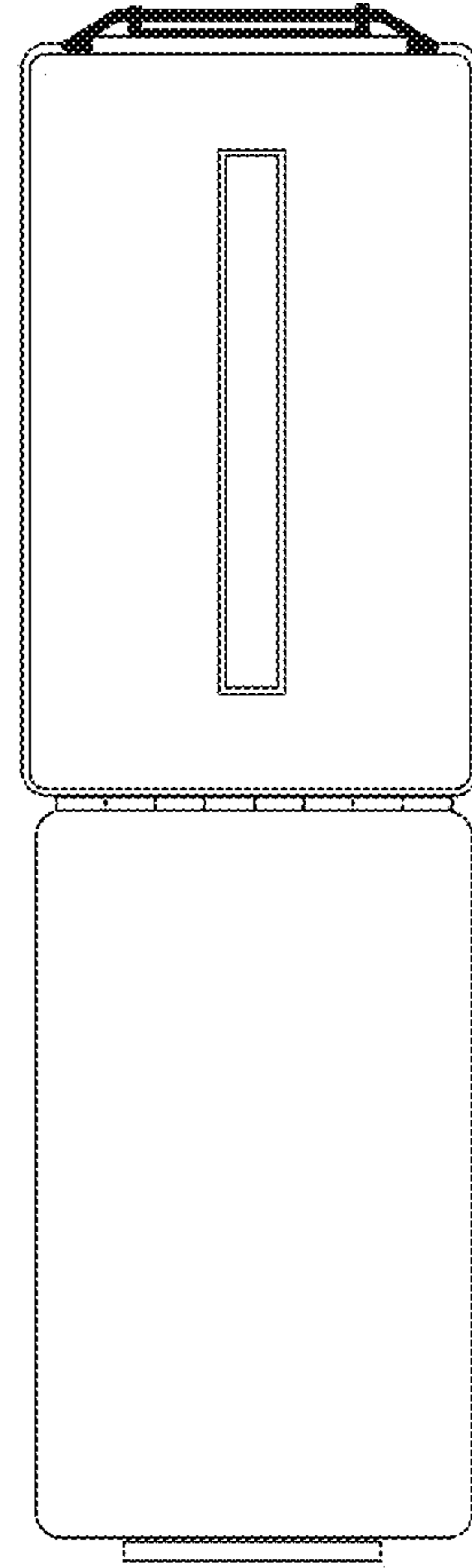


Fig. 5

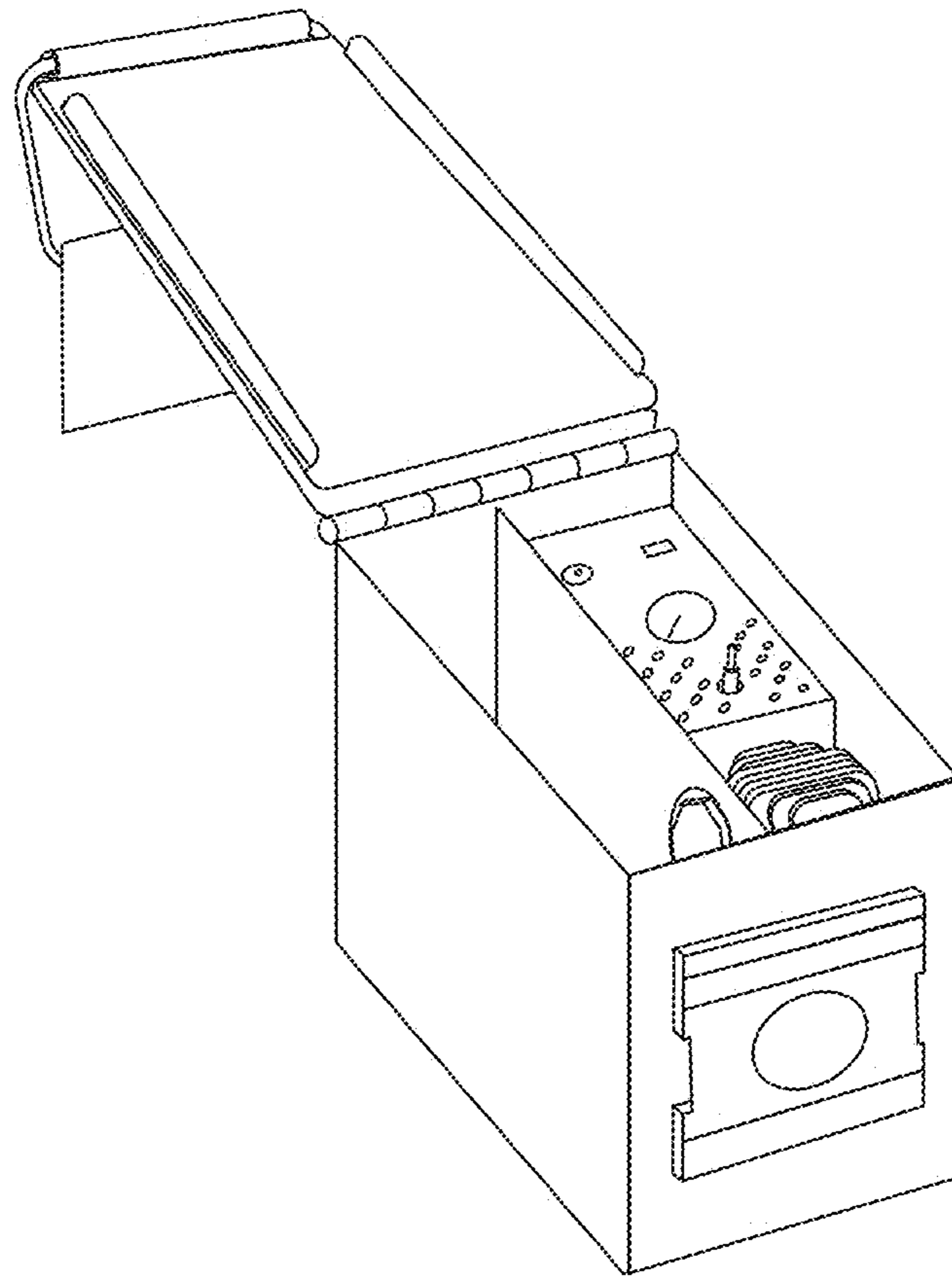


Fig. 7