



US00D780438S

(12) **United States Design Patent**
Marques et al.

(10) **Patent No.:** **US D780,438 S**

(45) **Date of Patent:** **** Mar. 7, 2017**

(54) **HOLSTER**

D749,840 S * 2/2016 Laemmlen D3/221

(71) Applicants: **John Marques**, Placerville, CA (US);

* cited by examiner

Gary Pigg, Placerville, CA (US)

Primary Examiner — Catheri Oliver-Garcia

(72) Inventors: **John Marques**, Placerville, CA (US);

(74) *Attorney, Agent, or Firm* — Heisler & Associates

Gary Pigg, Placerville, CA (US)

(**) Term: **15 Years**

(57) **CLAIM**

(21) Appl. No.: **29/537,730**

The ornamental design for a holster, as shown and described.

(22) Filed: **Aug. 28, 2015**

(51) **LOC (10) Cl.** **03-01**

(52) **U.S. Cl.**

USPC **D3/222**

(58) **Field of Classification Search**

USPC D3/222–223, 221, 215, 225, 230;
224/191–193, 198, 238, 243, 911–912;
D22/108, 199

CPC A41D 13/0012; F42B 39/02; F41C 33/02
See application file for complete search history.

DESCRIPTION

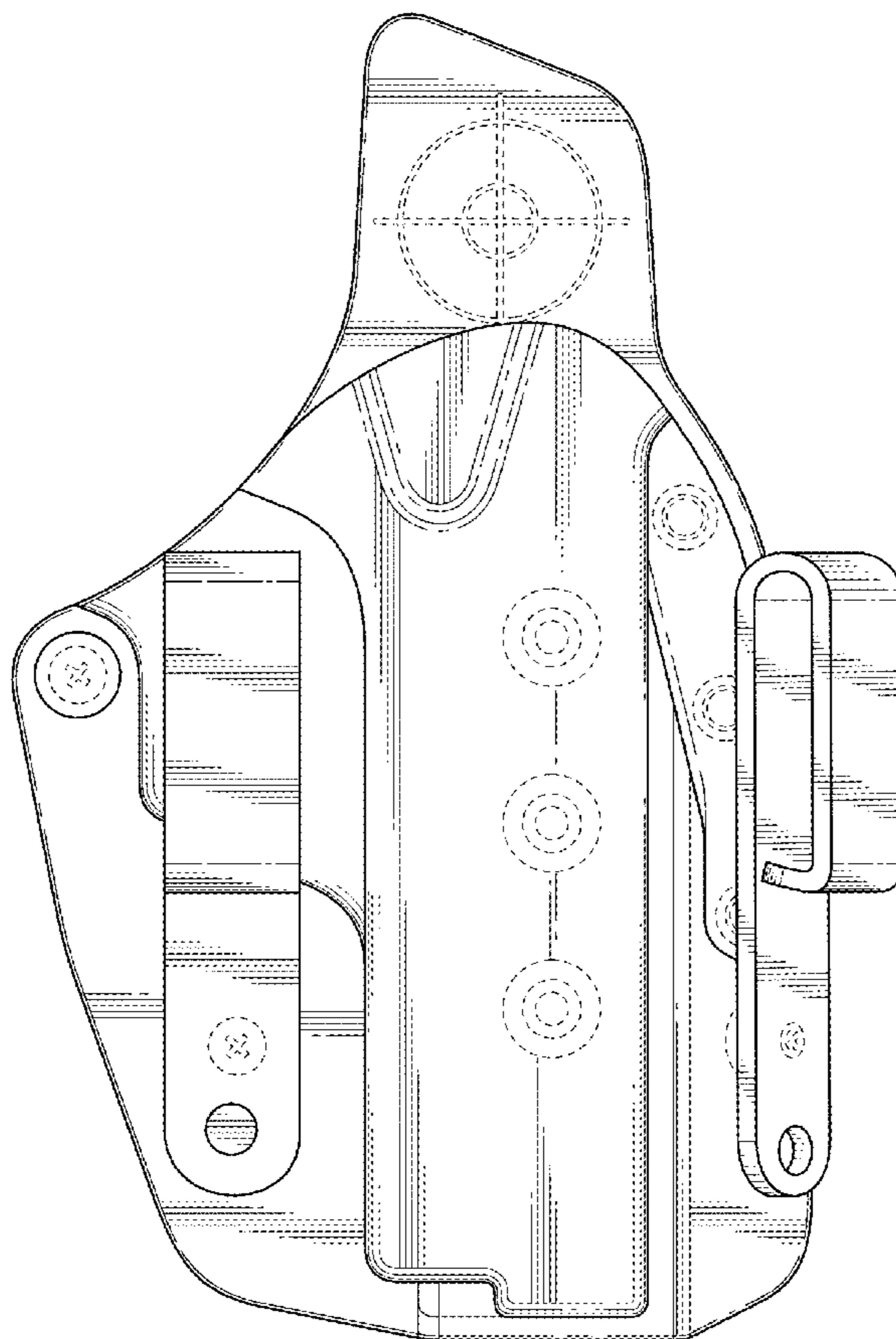
FIG. 1 is a front elevation view of the invention;
FIG. 2 is a rear elevation view of the invention;
FIG. 3 is a top plan view of the invention;
FIG. 4 is a bottom plan view of the invention;
FIG. 5 is a left side view of the invention;
FIG. 6 is a right side view of the invention;
FIG. 7 is a perspective view of the invention; and,
FIG. 8 is a perspective view of the invention in use.
In the drawings, the broken lines illustrate features that form no part of the claimed design and unclaimed environmental subject matter that form no part of the claim.

(56) **References Cited**

U.S. PATENT DOCUMENTS

D589,251 S * 3/2009 Har Shen D3/222
D723,796 S * 3/2015 Resca D3/222

1 Claim, 6 Drawing Sheets



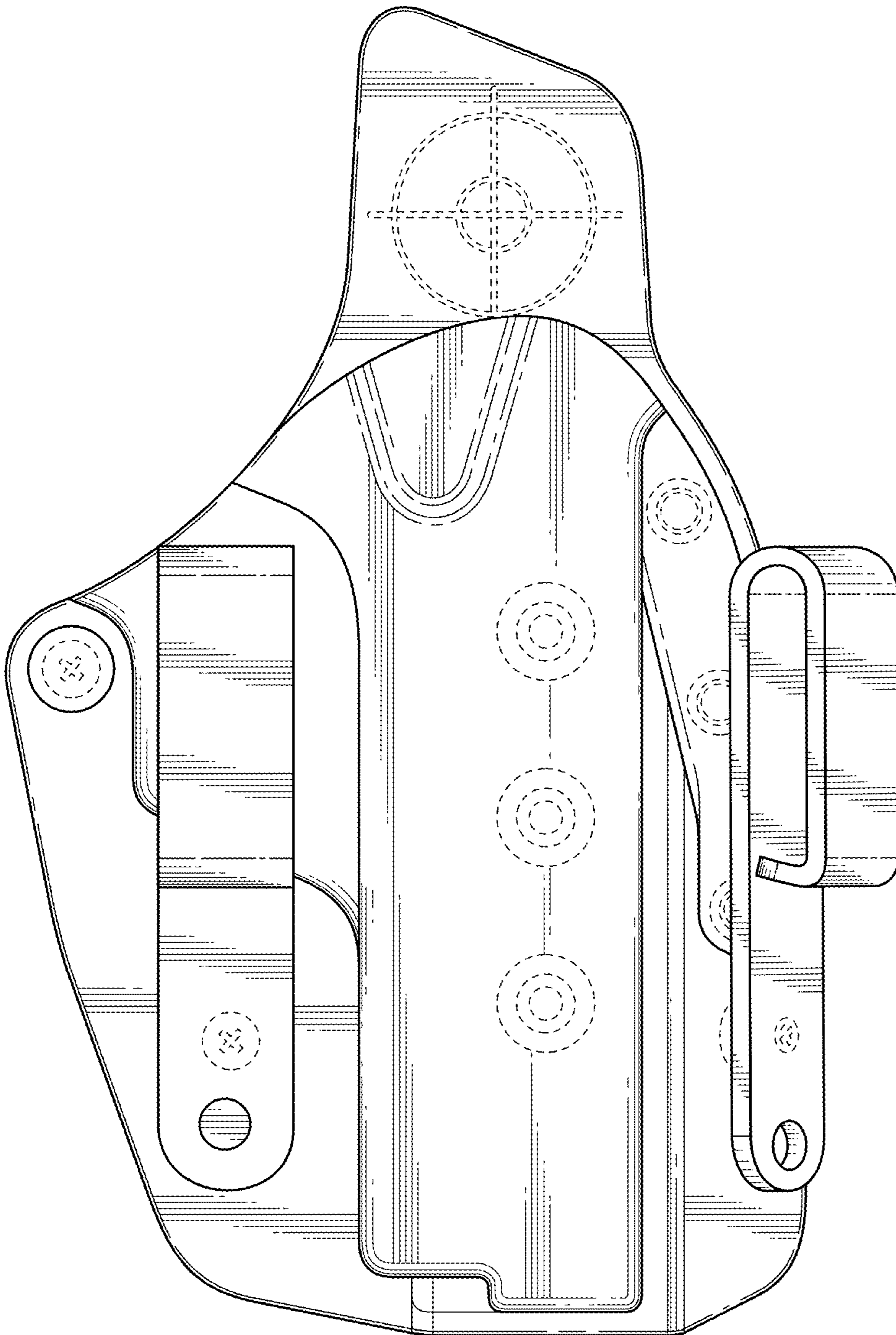


FIG. 1

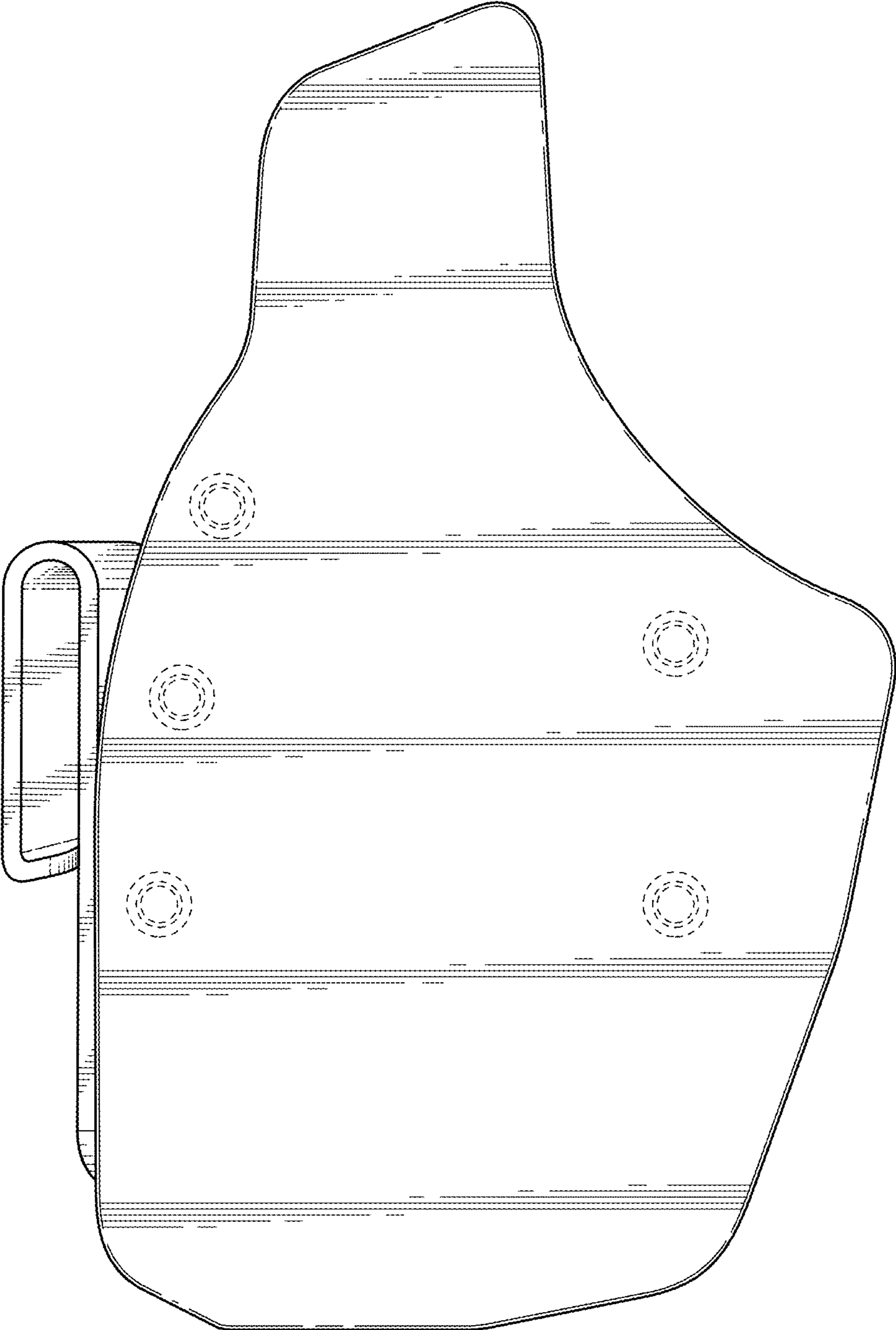


FIG. 2

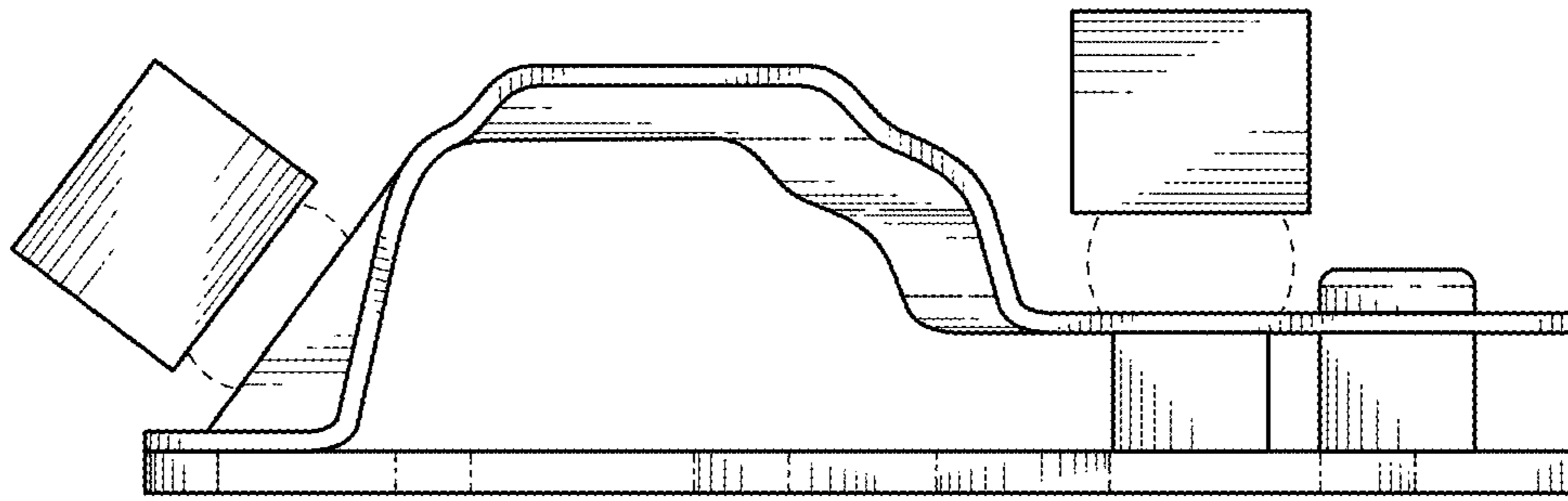


FIG. 3

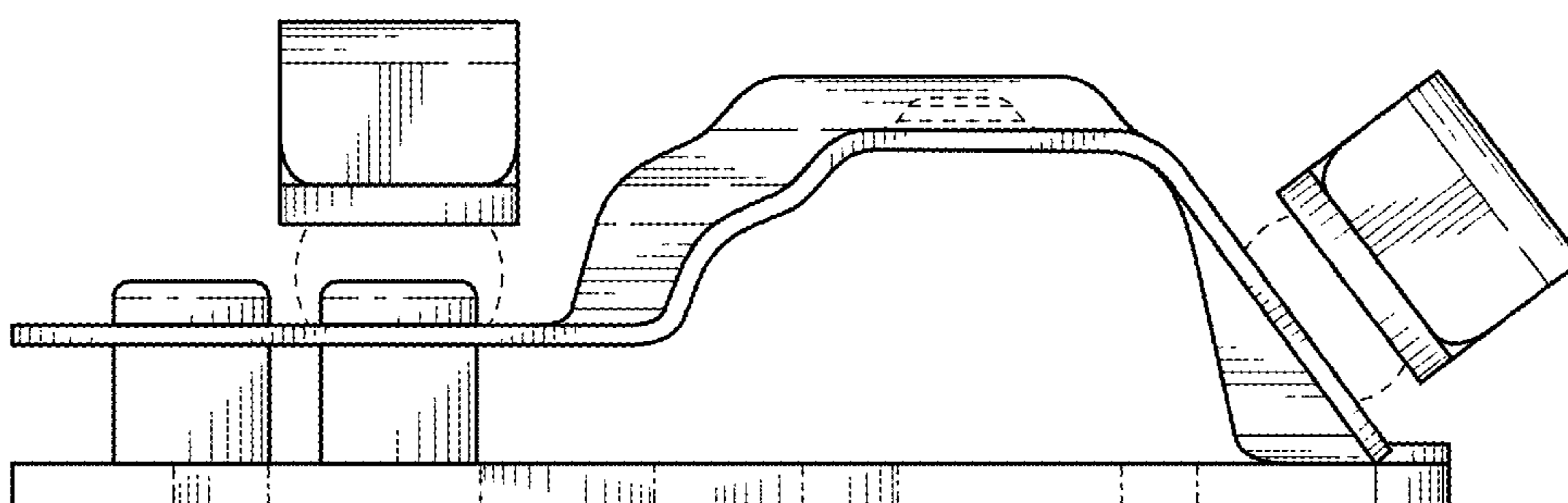


FIG. 4

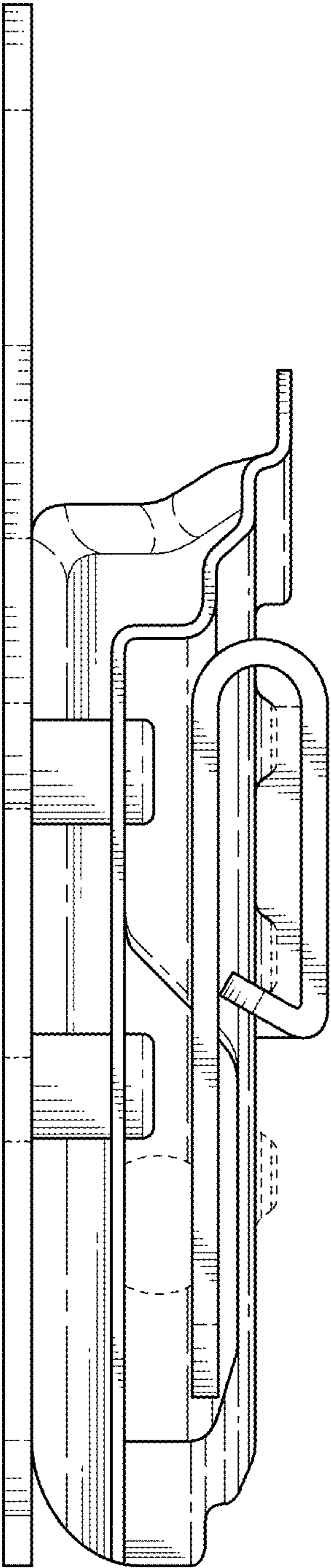


FIG. 5

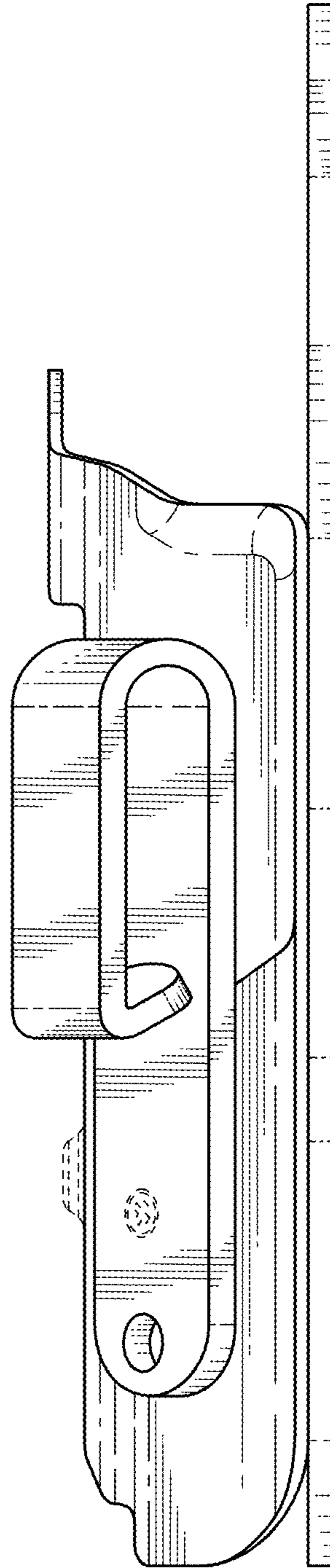


FIG. 6

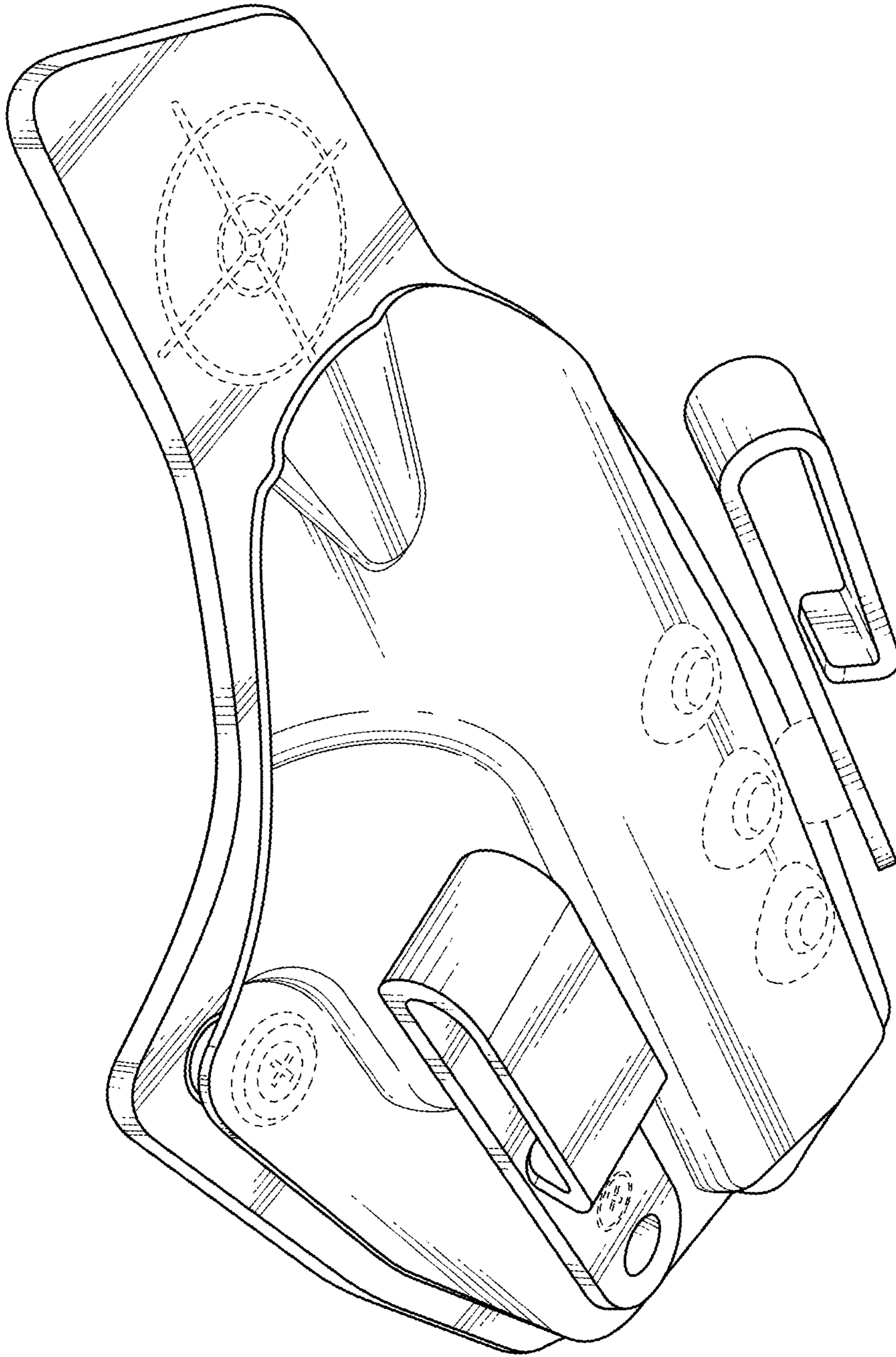


FIG. 7

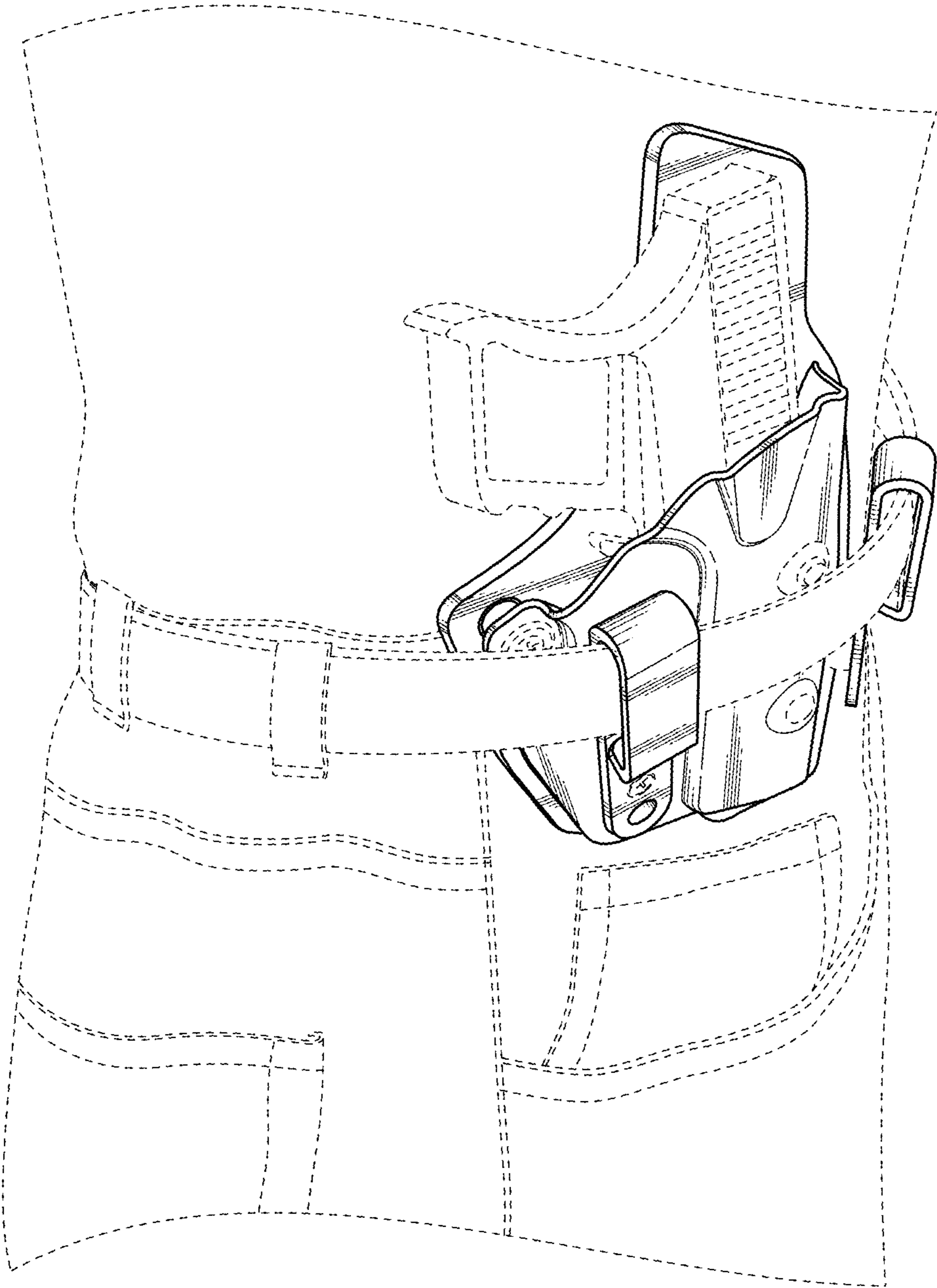


FIG. 8