



US00D780437S

(12) **United States Design Patent**
Laemmlen

(10) **Patent No.:** **US D780,437 S**

(45) **Date of Patent:** **** Mar. 7, 2017**

(54) **MODULAR MAGAZINE CARRIER**

D455,548 S * 4/2002 Cragg D3/224
D697,711 S * 1/2014 Stevens, IV D3/221
8,733,606 B2 * 5/2014 Felts F42B 39/02
224/245

(71) Applicant: **StealthGearUSA, LLC**, American Fork, UT (US)

(72) Inventor: **Paul Laemmlen**, Cedar Hills, UT (US)

(73) Assignee: **StealthGearUSA, LLC.**, American Fork, UT (US)

(**) Term: **14 Years**

(21) Appl. No.: **29/517,298**

(22) Filed: **Feb. 11, 2015**

Related U.S. Application Data

(63) Continuation-in-part of application No. 29/496,143, filed on Jul. 9, 2014, now Pat. No. Des. 749,840.

(51) **LOC (10) Cl.** **03-01**

(52) **U.S. Cl.**
USPC **D3/221**

(58) **Field of Classification Search**
USPC D3/221, 215, 222-223, 225, 230, 254,
D3/262; 206/38, 39.6; 224/240, 242,
224/245, 671, 679-680, 931; D22/108,
D22/199

CPC A41D 13/0012; F42B 39/02
See application file for complete search history.

(56) **References Cited**

U.S. PATENT DOCUMENTS

D237,611 S * 11/1975 Minneman D3/225
D263,987 S * 4/1982 Milliman D3/225
D284,714 S * 7/1986 Thor D22/199
D286,315 S * 10/1986 Gregory D3/225
D413,644 S * 9/1999 Carver D22/108

* cited by examiner

Primary Examiner — Catheri Oliver-Garcia

(74) *Attorney, Agent, or Firm* — The Mueller Law Office, P.C.

(57) **CLAIM**

The ornamental design for a modular magazine carrier, as shown and described.

DESCRIPTION

FIG. 1 is a front perspective view of a modular magazine carrier, showing the new design;

FIG. 2 is a front view of the modular magazine carrier of FIG. 1;

FIG. 3 is a rear view of the modular magazine carrier of FIG. 1;

FIG. 4 is a right side view of the modular magazine carrier of FIG. 1;

FIG. 5 is a left side view the modular magazine carrier of FIG. 1;

FIG. 6 is a top view the modular magazine carrier of FIG. 1;

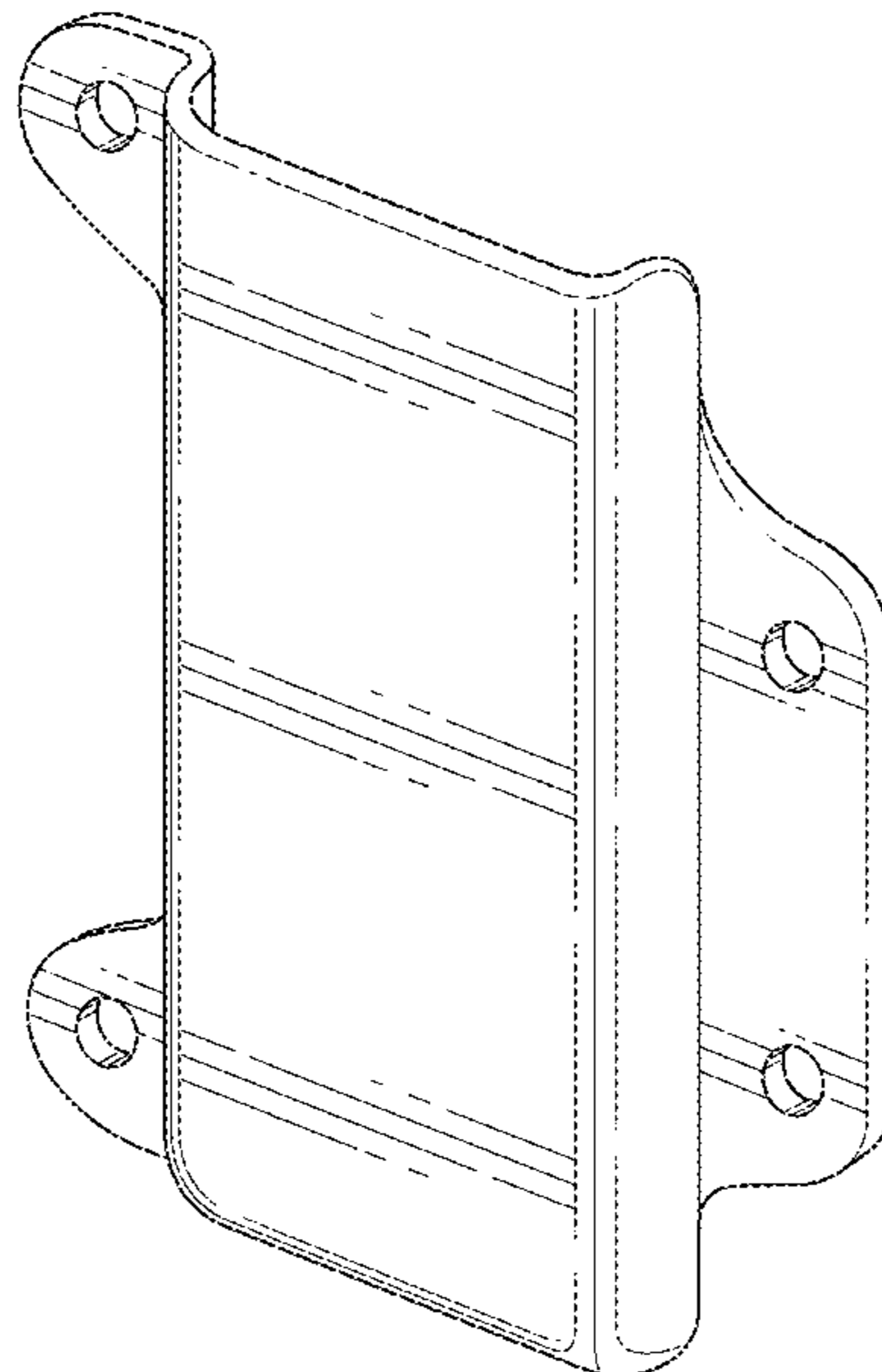
FIG. 7 is a bottom view the modular magazine carrier of FIG. 1;

FIG. 8 is a front perspective view of the modular magazine carrier of FIG. 1 in a holster; and,

FIG. 9 is a front perspective view of a modular magazine carrier of FIG. 1 in a holster having one other modular magazine carrier.

In the drawings, the broken lines depict environmental structures that are for illustrative purposes only and form no part of the claimed design.

1 Claim, 7 Drawing Sheets



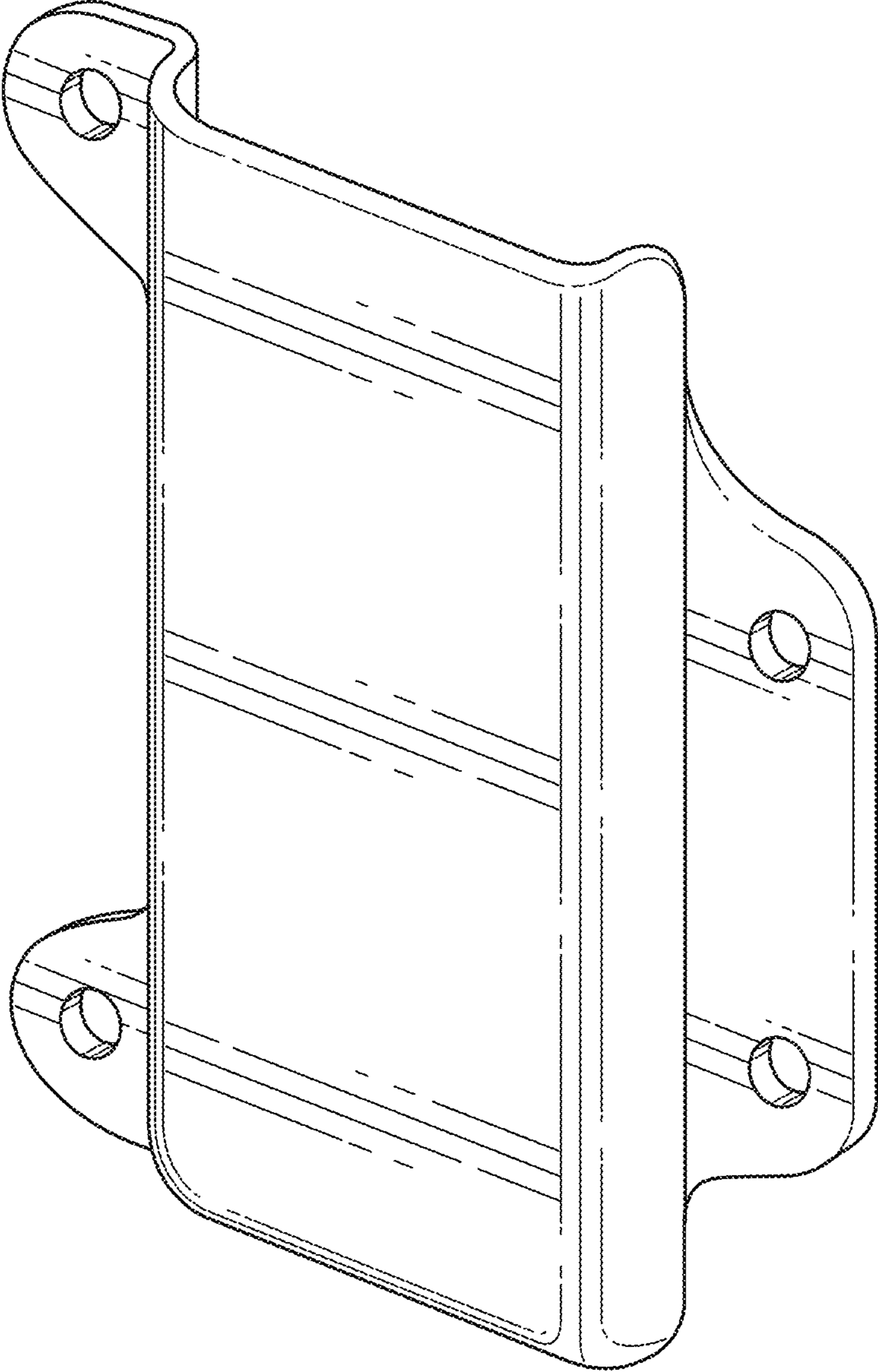


FIG. 1

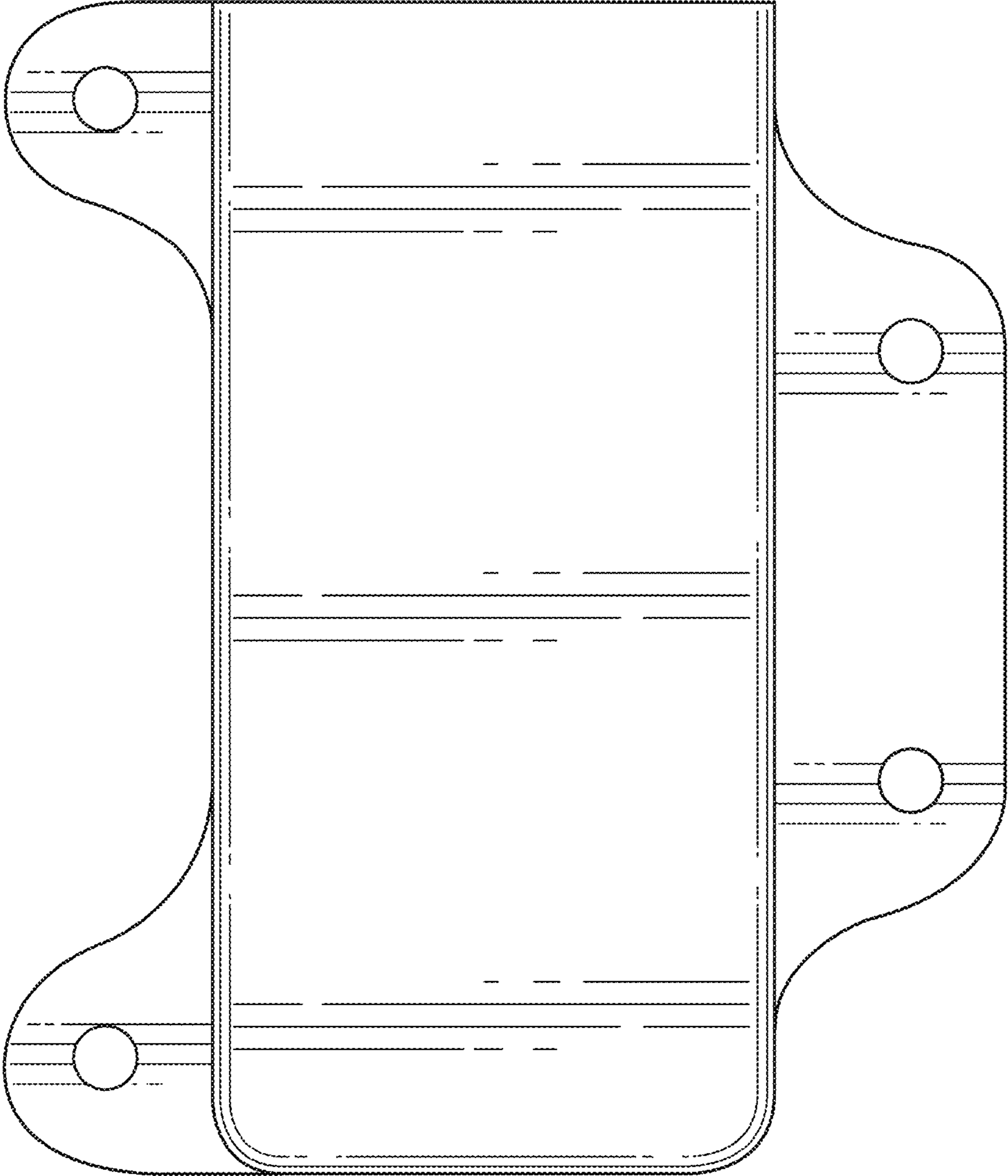


FIG. 2

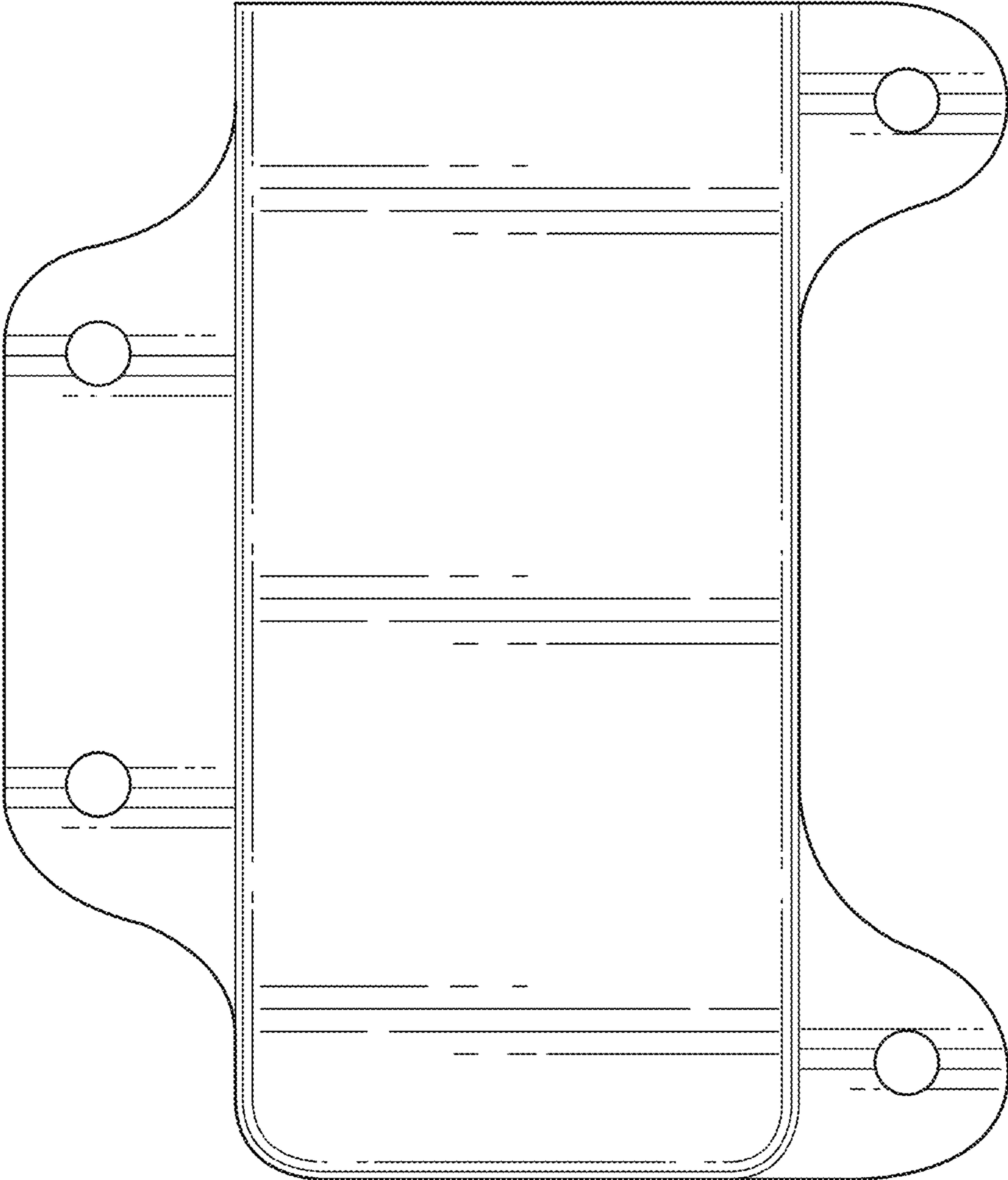


FIG. 3

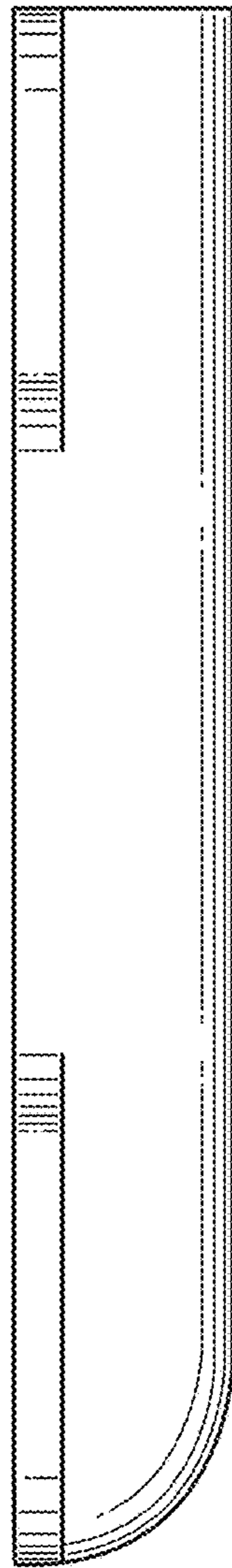


FIG. 4

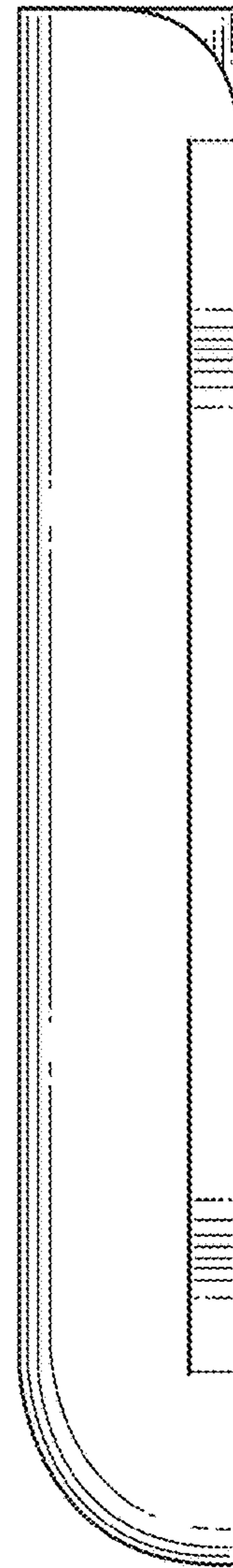


FIG. 5



FIG. 6



FIG. 7

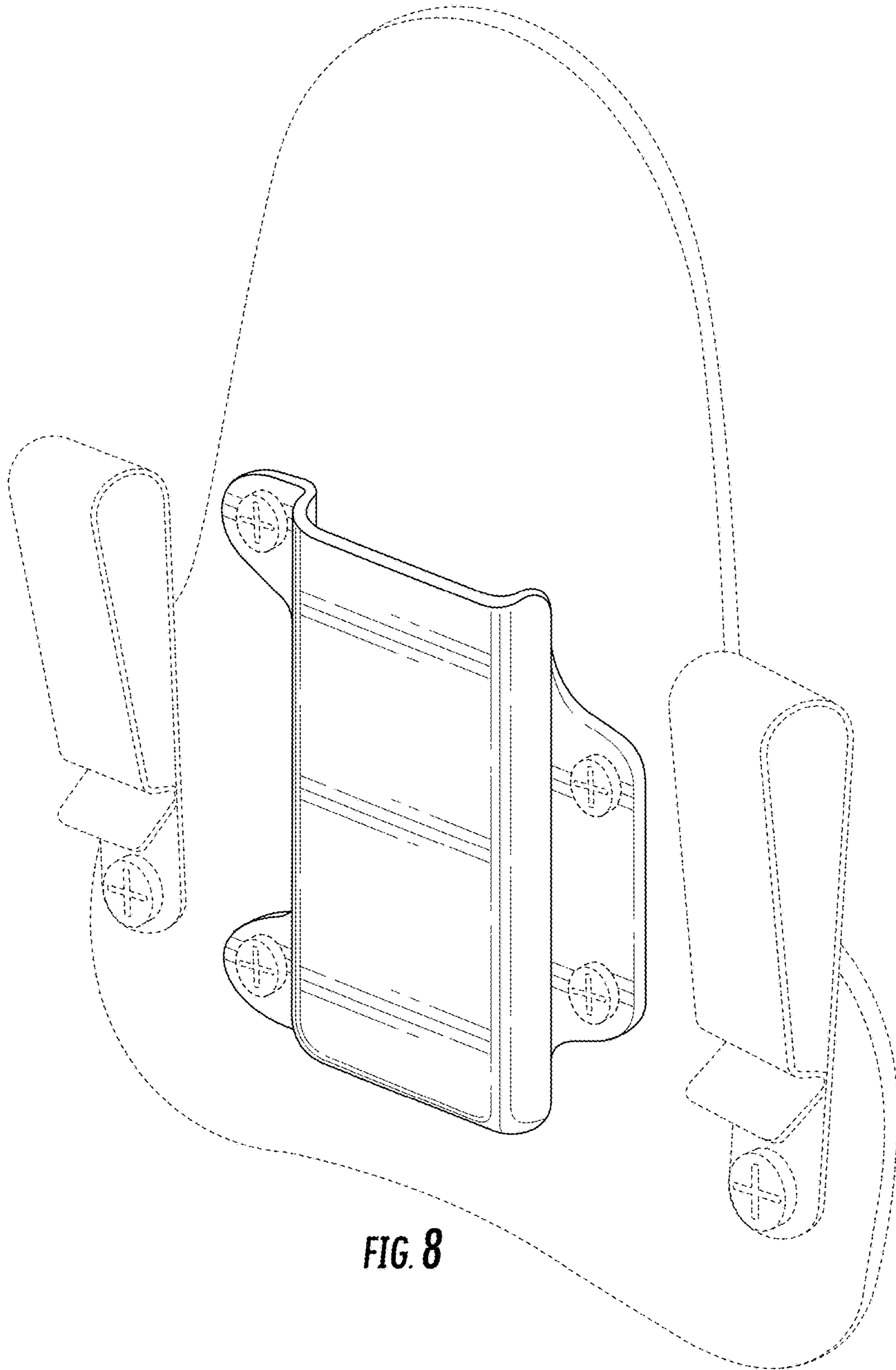


FIG. 8

