



US00D780436S

(12) **United States Design Patent**  
**Fraser**

(10) **Patent No.:** **US D780,436 S**  
(45) **Date of Patent:** **\*\* Mar. 7, 2017**

- (54) **KEY FOB**
- (71) Applicant: **Wheresmynipl Pte. Ltd.**, Singapore (SG)
- (72) Inventor: **Jason Fraser**, Singapore (SG)
- (73) Assignee: **WHERESMYNIPL PTE. LTD.**, Singapore (SG)
- (\*\*) Term: **15 Years**
- (21) Appl. No.: **29/545,896**
- (22) Filed: **Nov. 17, 2015**
- (51) **LOC (10) Cl.** ..... **03-01**
- (52) **U.S. Cl.**  
USPC ..... **D3/207**
- (58) **Field of Classification Search**  
USPC ..... D3/207-212; 70/456 B, 457, 458, 408,  
70/456 R; D13/168; D8/347; D10/104;  
D14/496; 206/37.1, 37.4, 37.2; 40/634;  
D11/43, 79, 80  
CPC ..... H04B 1/034; F04B 15/00; A45C 11/324  
See application file for complete search history.

5,495,734 A *	3/1996	Yu	.....	A44B 15/00
				24/3.6
D376,904 S *	12/1996	DiRocco	.....	D3/208
D379,117 S *	5/1997	Ortiz	.....	D3/20
D382,704 S *	8/1997	Petruzzi	.....	D3/207
D392,797 S *	3/1998	Kampe	.....	D3/207
D431,341 S *	9/2000	DiPaolo	.....	D3/208
D447,332 S *	9/2001	Pisarevsky	.....	D3/207
D463,104 S *	9/2002	Ames	.....	D3/207
D522,234 S *	6/2006	Murphy	.....	D3/209
D692,796 S *	11/2013	Medsker	.....	D11/221

\* cited by examiner

*Primary Examiner* — Ralf Seifert

(74) *Attorney, Agent, or Firm* — Merchant & Gould P.C.

(57) **CLAIM**

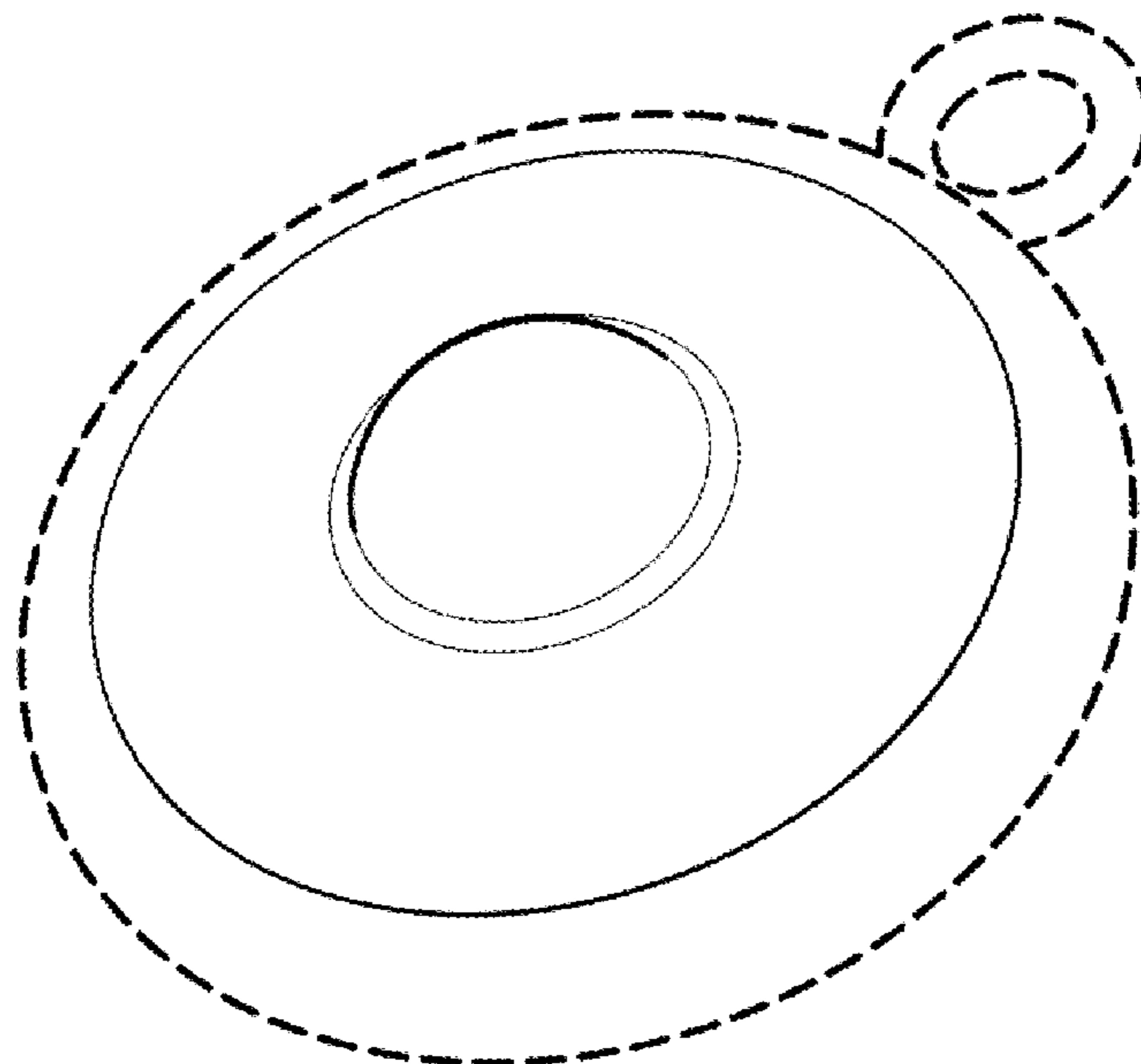
The ornamental design for a key fob, as shown and described.

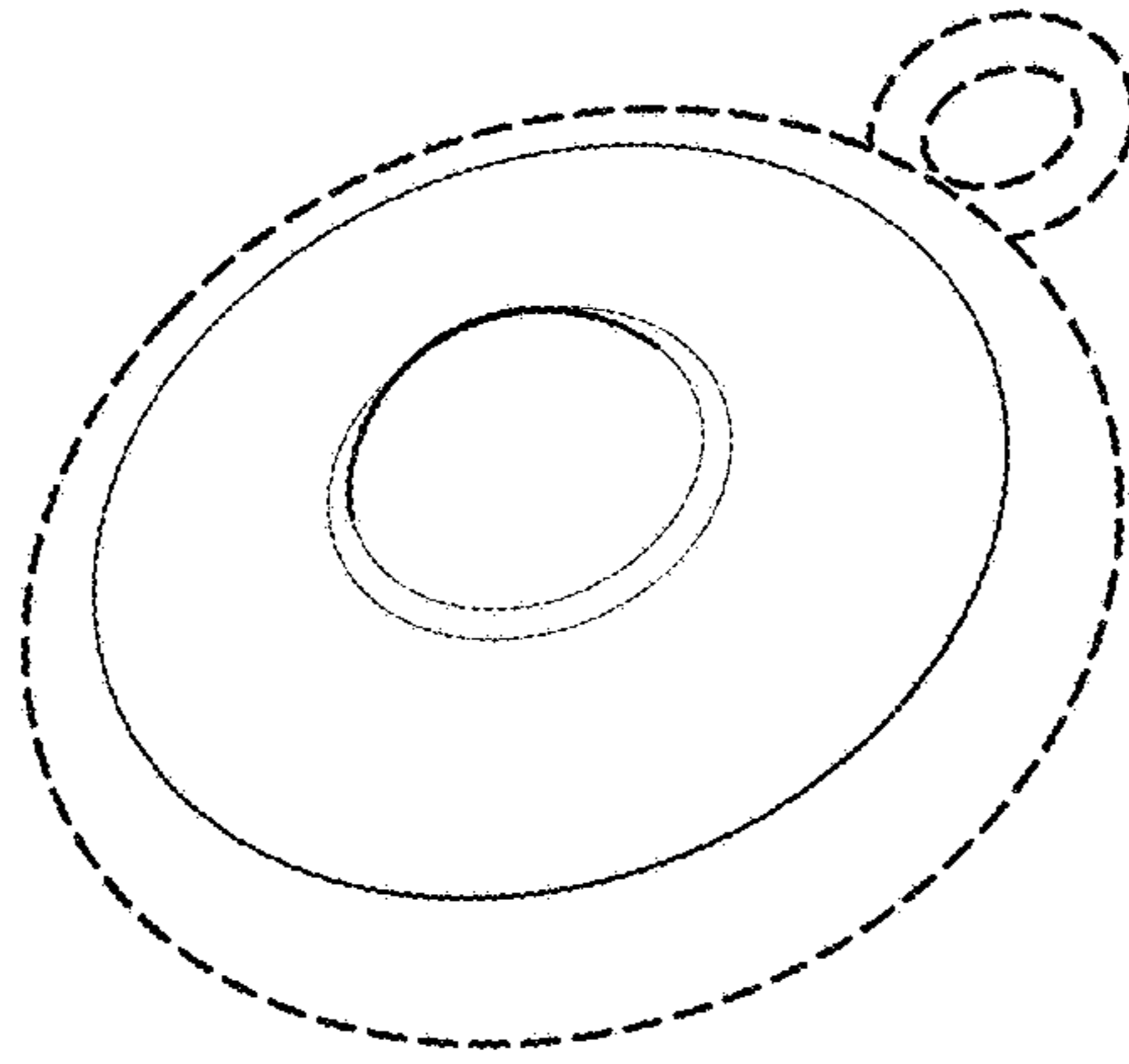
**DESCRIPTION**

FIG. 1 is a front perspective view from above;  
 FIG. 2 is a rear perspective view from below;  
 FIG. 3 is a front view;  
 FIG. 4 is a rear view;  
 FIG. 5 is a top view;  
 FIG. 6 is an underneath view;  
 FIG. 7 is a left side view; and,  
 FIG. 8 is a right side view.  
 The broken line showing of the combined attachment loop and fob body is included for the purpose of illustrating environment matter only and forms no part of the claimed design.

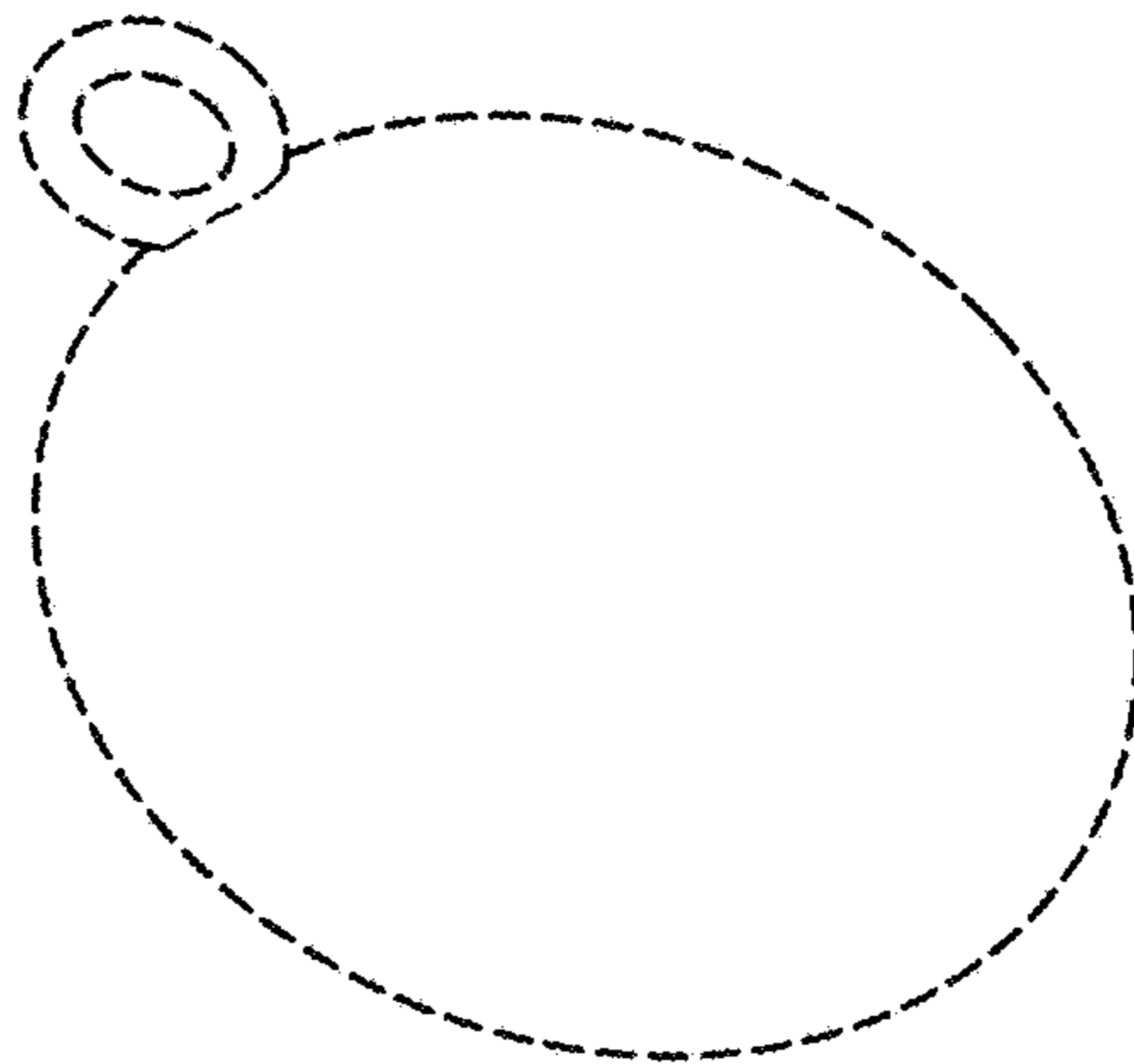
**1 Claim, 4 Drawing Sheets**

- (56) **References Cited**  
U.S. PATENT DOCUMENTS  
D176,512 S \* 1/1956 Hagedorn ..... D11/2  
3,589,155 A \* 6/1971 Kamp ..... A44B 15/00  
70/459  
D235,584 S \* 6/1975 Hall ..... 70/456 R  
D349,189 S \* 8/1994 Hong ..... D3/208

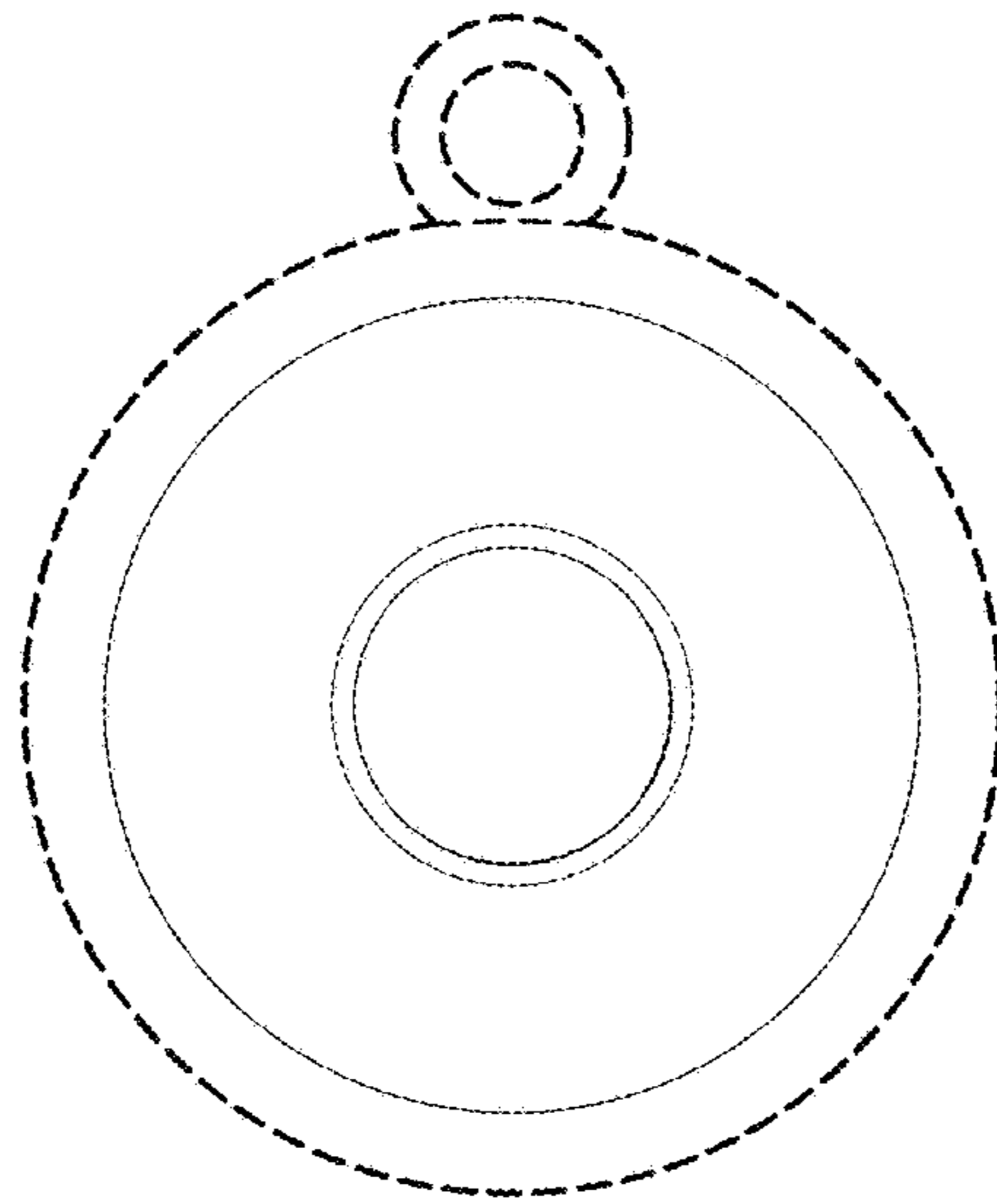




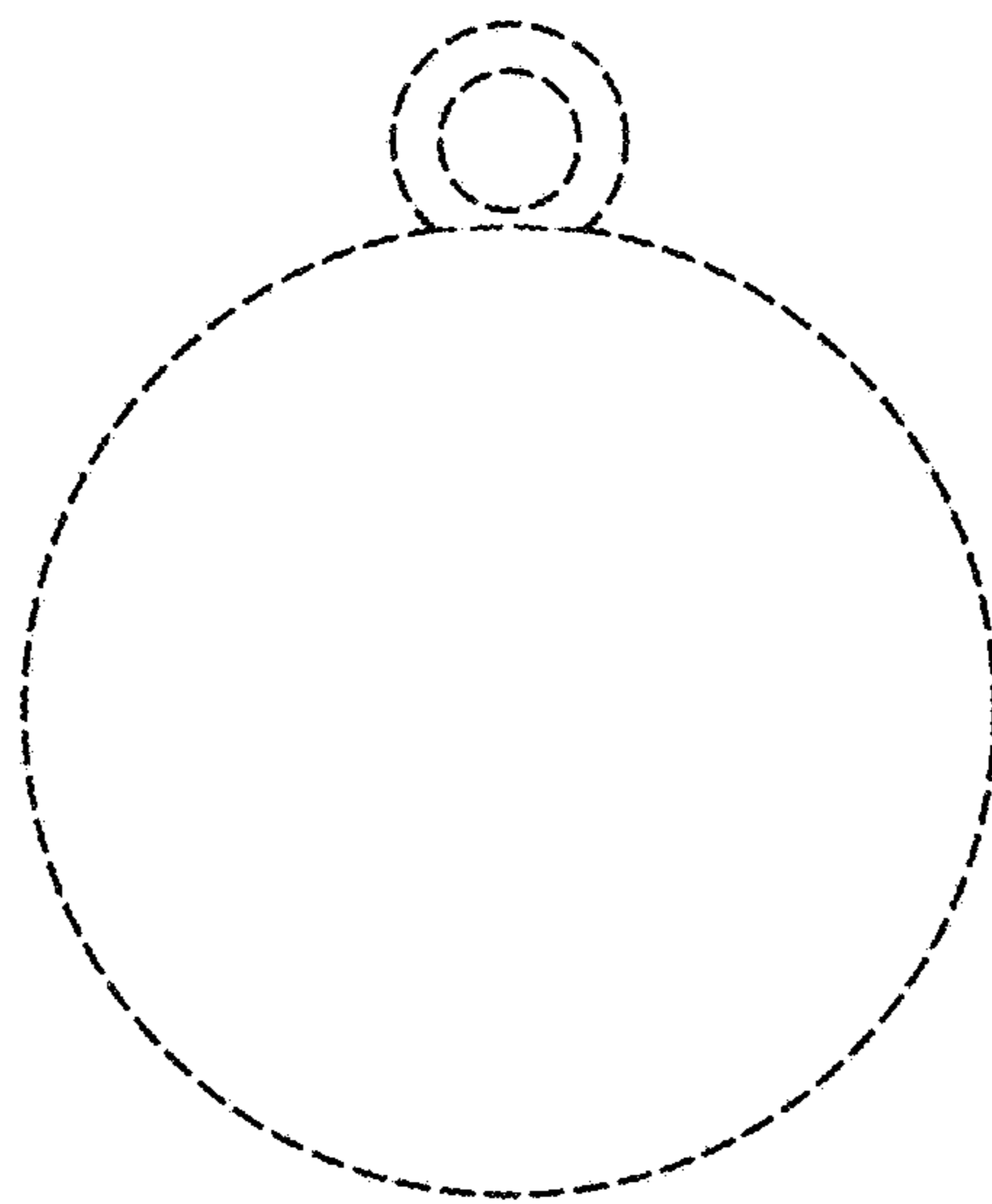
**FIG. 1**



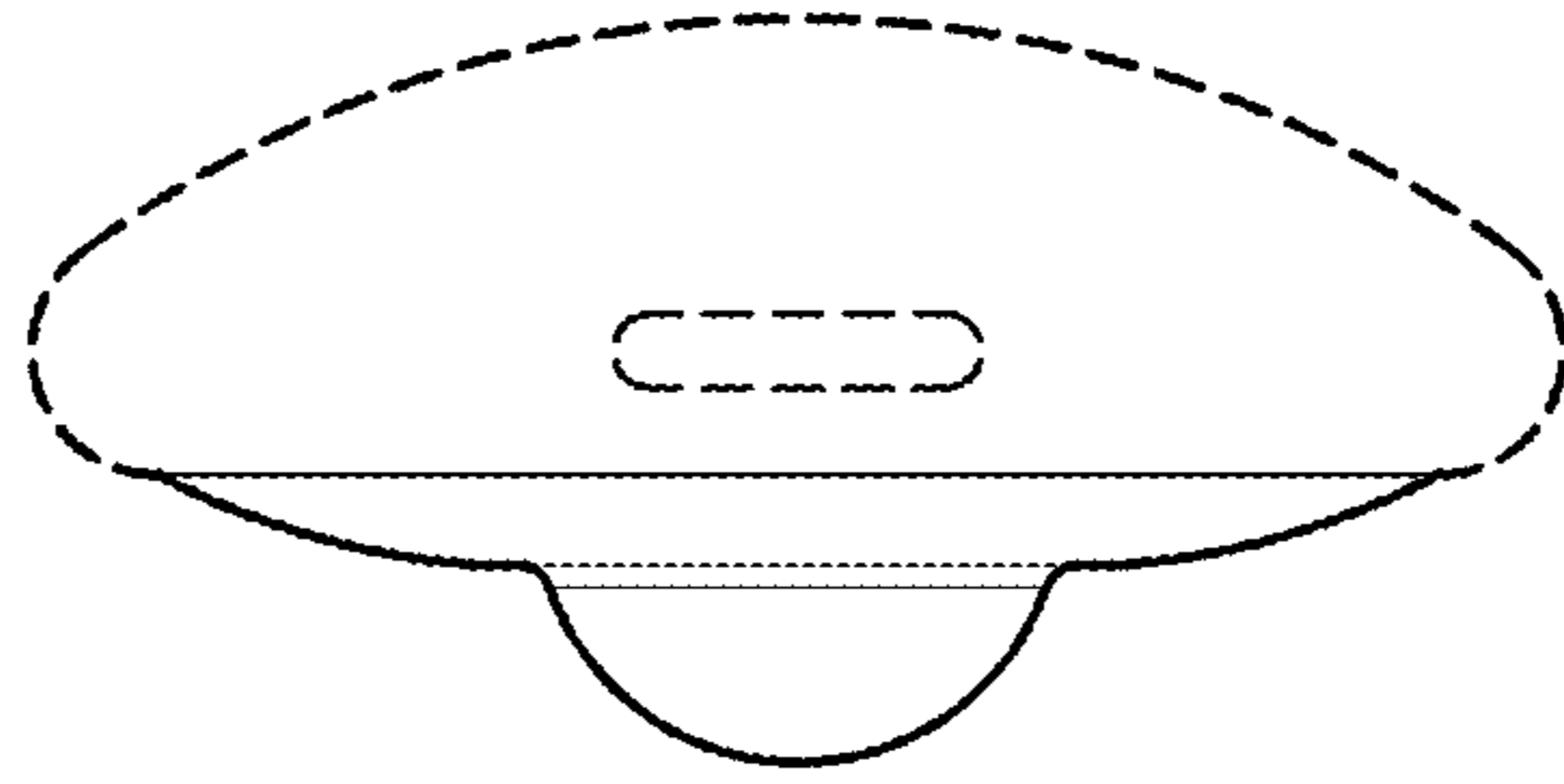
**FIG. 2**



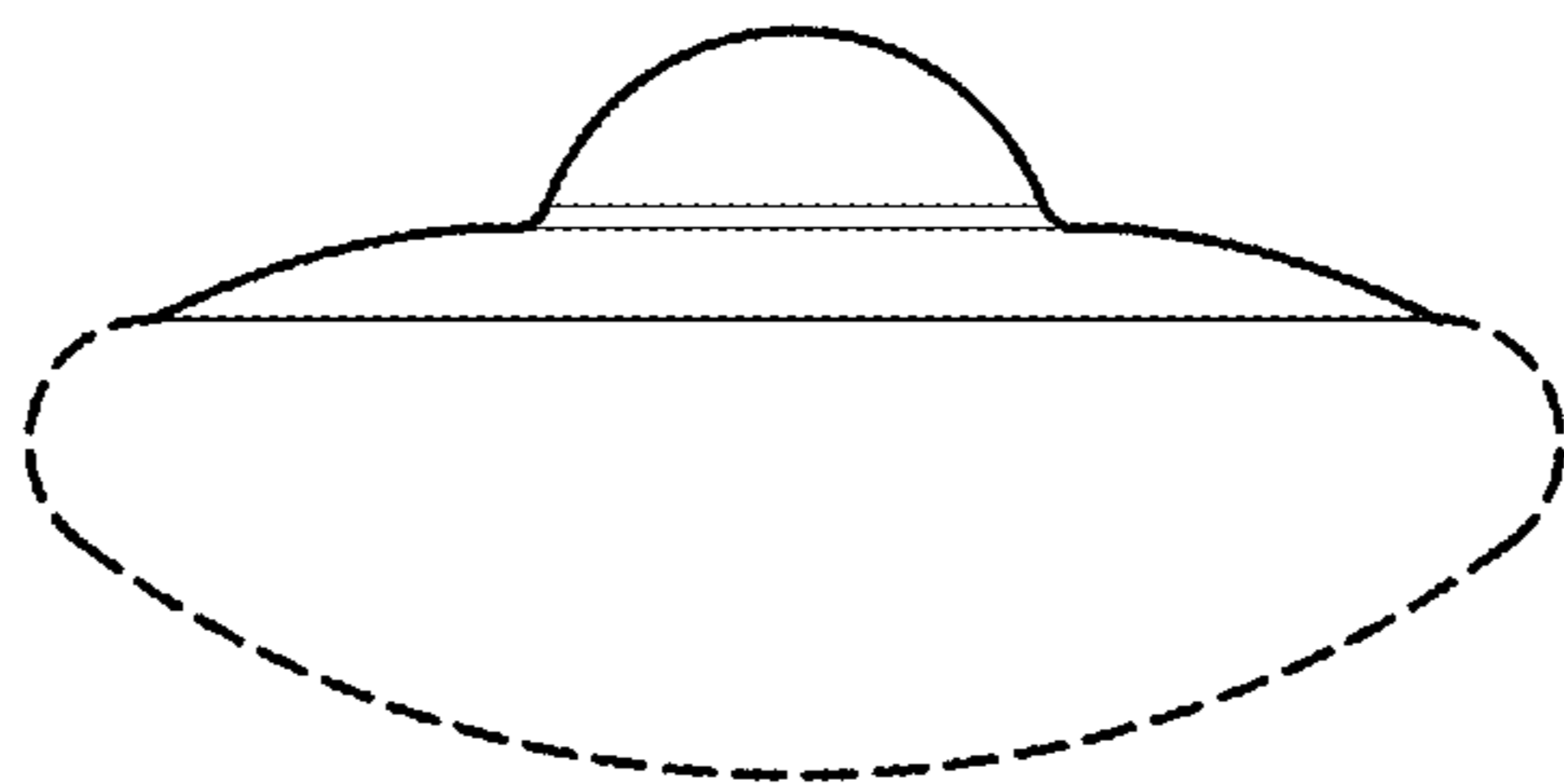
**FIG. 3**



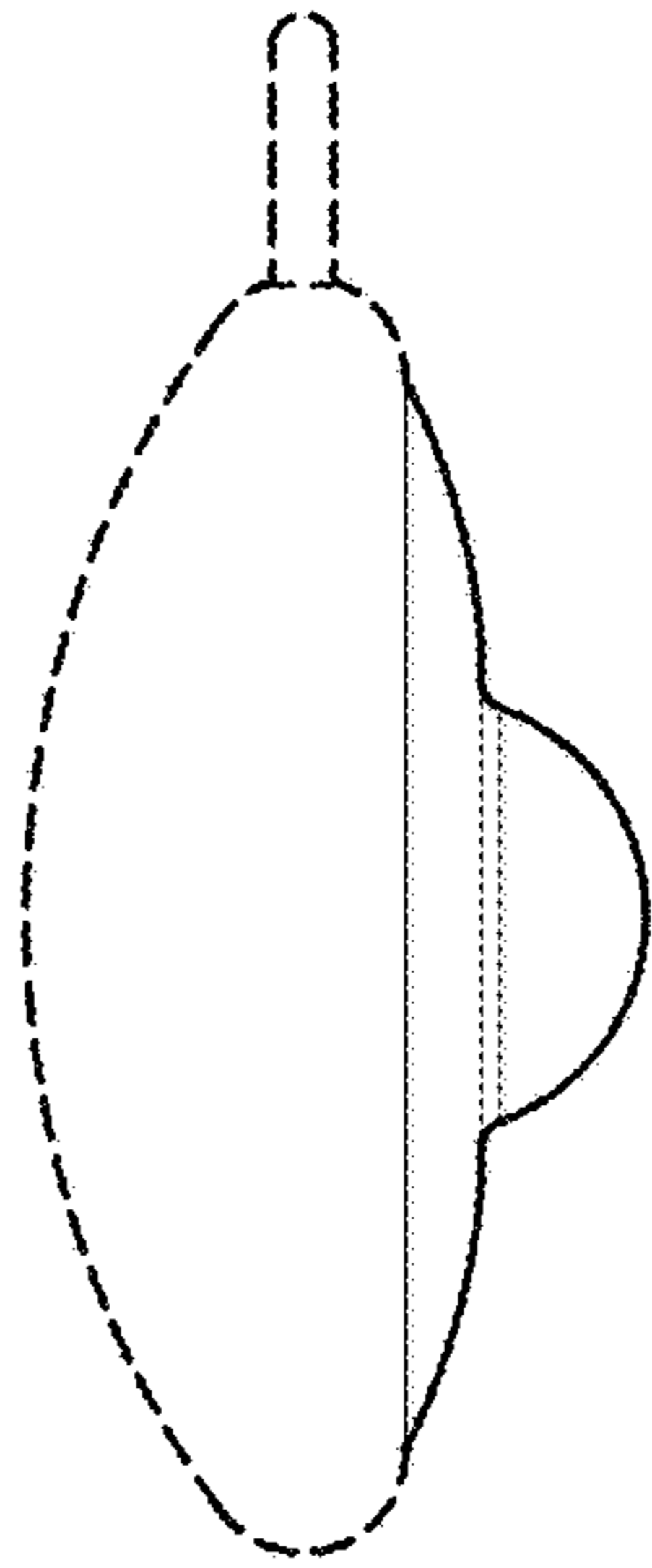
**FIG. 4**



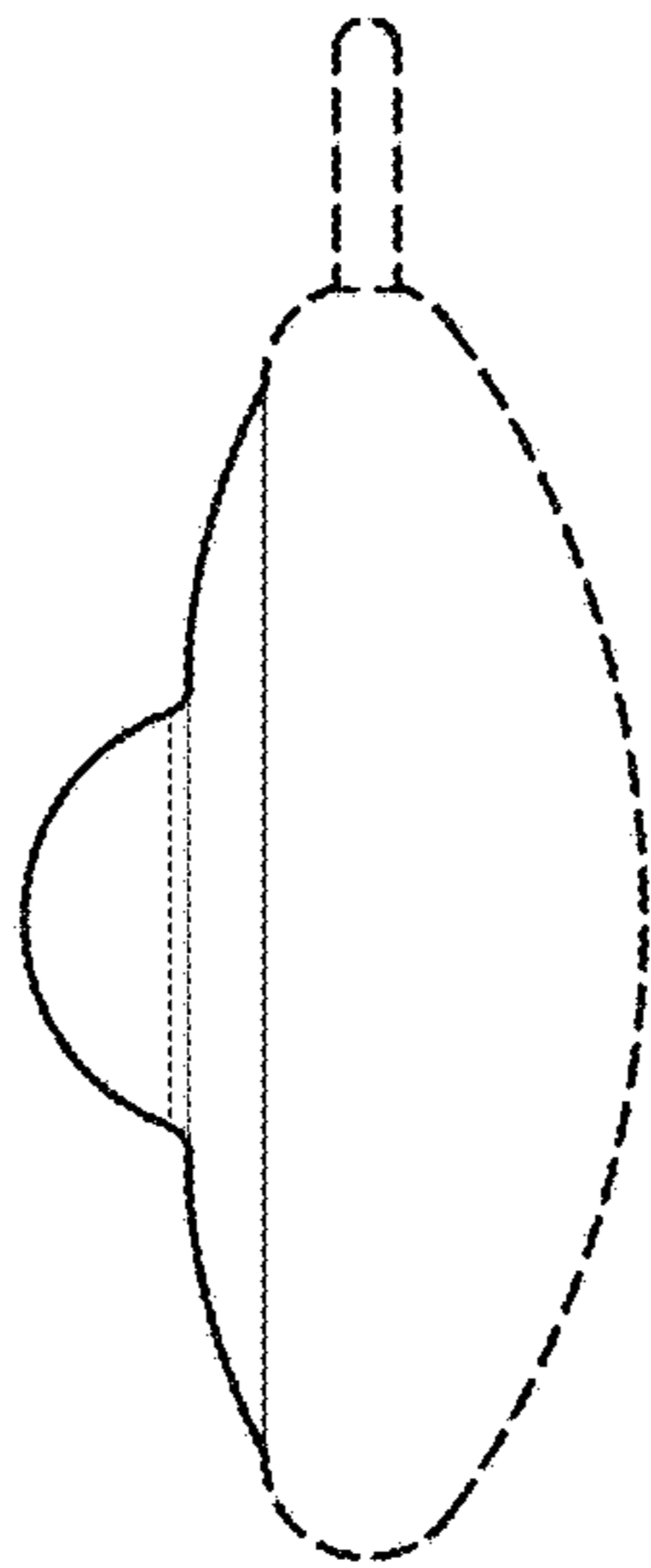
**FIG. 5**



**FIG. 6**



**FIG. 7**



**FIG. 8**