



US00D780434S

(12) **United States Design Patent**
Daniels

(10) **Patent No.:** **US D780,434 S**

(45) **Date of Patent:** **** Mar. 7, 2017**

(54) **FLOWER SHAPED CLIP-ON SHOE DECORATION**

(71) Applicant: **Carla Daniels**, Cape Coral, FL (US)

(72) Inventor: **Carla Daniels**, Cape Coral, FL (US)

(**) Term: **15 Years**

(21) Appl. No.: **29/553,593**

(22) Filed: **Feb. 3, 2016**

(51) **LOC (10) Cl.** **02-99**

(52) **U.S. Cl.**
USPC **D2/976**

(58) **Field of Classification Search**
USPC D2/896, 946, 976; D11/117, 143, 67, 40,
D11/47, 115; D28/39, 40, 41, 42
CPC A43B 23/24; A44C 1/00; A44C 7/004;
A44C 7/005; A44C 7/006; A43C 11/00;
A43C 11/02; A43C 11/14; A43C 11/24;
A44B 9/16; A41G 1/00; A41G 1/001
See application file for complete search history.

(56) **References Cited**

U.S. PATENT DOCUMENTS

- D70,790 S * 8/1926 Grunberg D11/117
- D132,759 S * 6/1942 Atkins D2/976
- D161,247 S * 12/1950 Chiniquy D11/117
- 2,791,854 A * 5/1957 Hall A41G 1/00
156/305
- 2,792,655 A * 5/1957 Kroczyński A47G 33/08
362/122
- D180,904 S * 9/1957 Katz D11/67
- 2,885,753 A * 5/1959 Wessner A44C 7/002
24/112
- D189,150 S * 11/1960 Gerson D11/117
- 3,088,295 A * 5/1963 Haines A44B 1/04
24/108
- D196,252 S * 9/1963 Dwyer D11/117

- D196,254 S * 9/1963 Dwyer D11/117
- D196,255 S * 9/1963 Dwyer D11/117
- D196,256 S * 9/1963 Dwyer D11/117
- D196,257 S * 9/1963 Dwyer D11/117
- D196,258 S * 9/1963 Dwyer D11/117
- D196,259 S * 9/1963 Dwyer D11/117
- D197,770 S * 3/1964 Friedman D11/117
- D213,213 S * 1/1969 Horton D11/117
- 3,589,322 A * 6/1971 Hirokawa D05C 17/00
112/401
- 3,605,438 A * 9/1971 Chalson A44C 1/00
428/28
- 3,673,909 A * 7/1972 Birnkrant G10D 13/08
428/24
- 3,697,362 A * 10/1972 Zane A41G 1/00
428/26
- D237,619 S * 11/1975 Levey D11/117
- D347,493 S * 5/1994 Connolly D11/117
- D351,934 S * 11/1994 Devoe D2/946
- D519,723 S * 5/2006 Jarmon Mouchi D2/946
- D532,186 S * 11/2006 Boschock D2/946

(Continued)

Primary Examiner — Elizabeth J Oswecki
(74) *Attorney, Agent, or Firm* — RG Patent Consulting, LLC; Rachel Gilboy

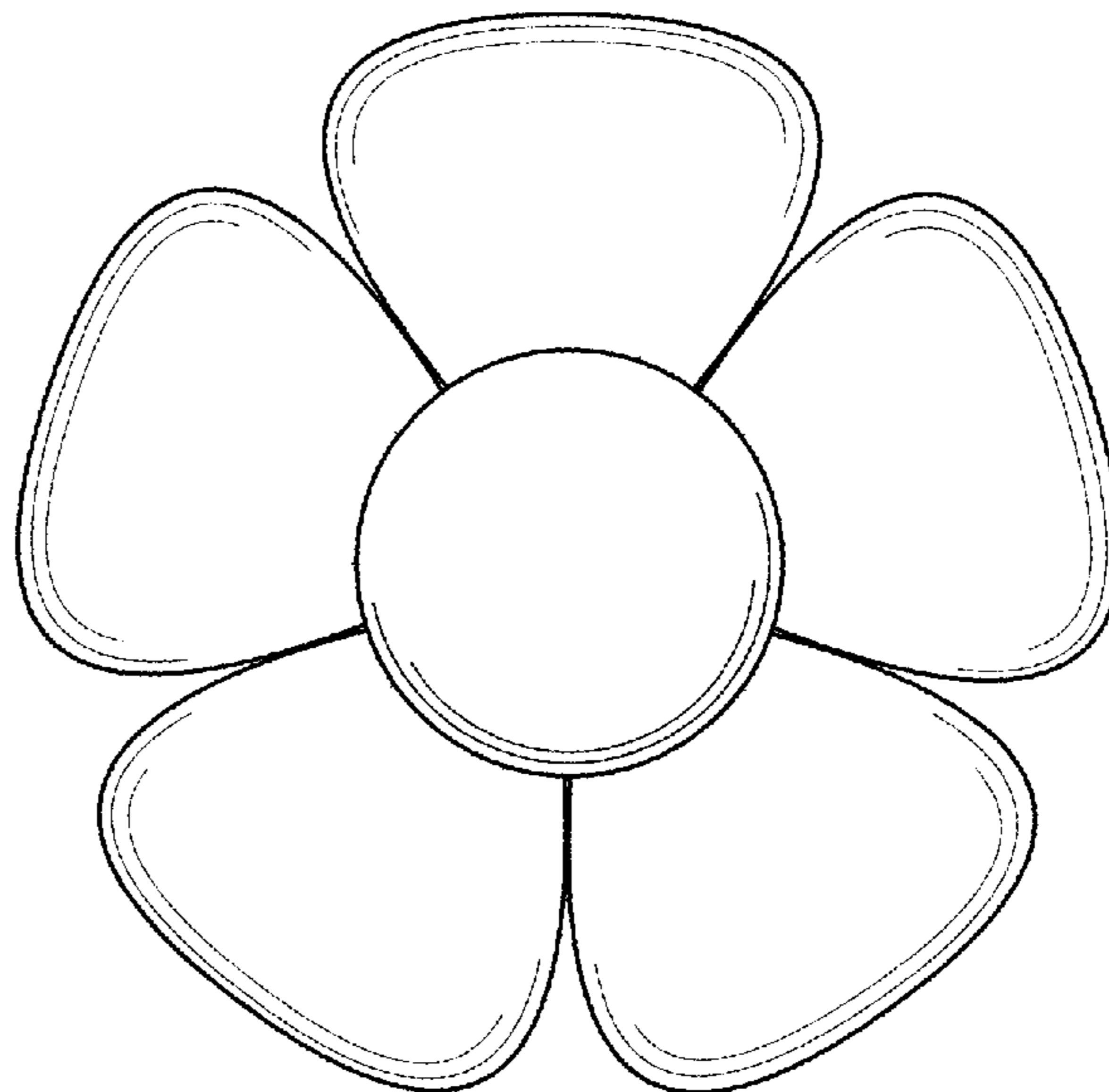
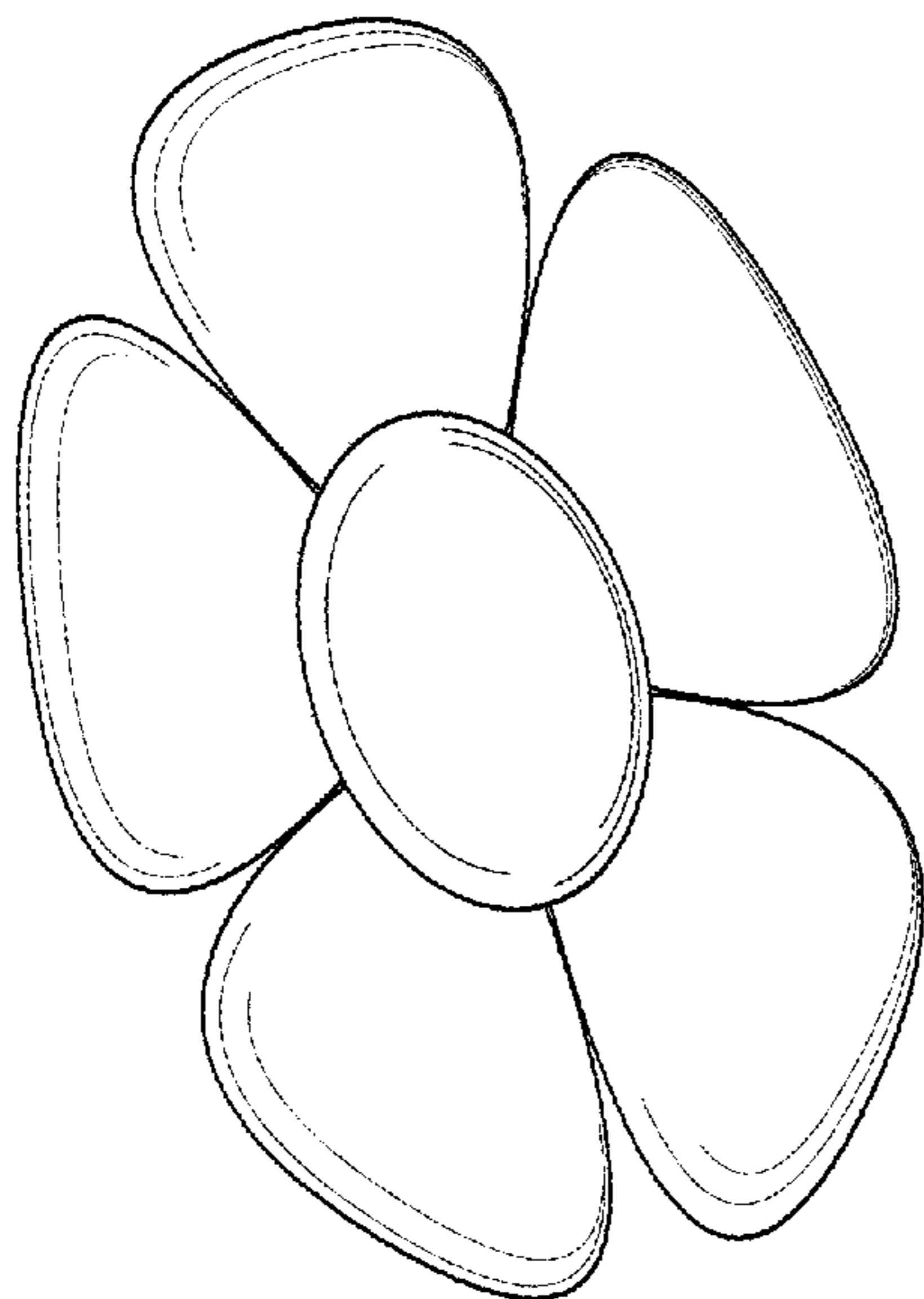
(57) **CLAIM**

The ornamental design for a flower shaped clip-on shoe decoration, as shown and described.

DESCRIPTION

FIG. 1 is a perspective view of a flower shaped clip-on shoe decoration showing my new design;
FIG. 2 is a front elevation view thereof;
FIG. 3 is a rear elevation view thereof;
FIG. 4 is a left side elevation view thereof;
FIG. 5 is a right side elevation view thereof;
FIG. 6 is a top plan view thereof; and,
FIG. 7 is a bottom plan view thereof.

1 Claim, 7 Drawing Sheets



(56)

References Cited

U.S. PATENT DOCUMENTS

D549,126 S *	8/2007	Hon	D11/33
D573,506 S *	7/2008	Kaiser	D11/117
D616,784 S *	6/2010	Castaline	D11/67
D633,290 S *	3/2011	Issler	D2/971
D662,308 S *	6/2012	Issler	D2/930
D709,281 S *	7/2014	Pearson	D2/976
D724,823 S *	3/2015	Issler	D2/917

* cited by examiner

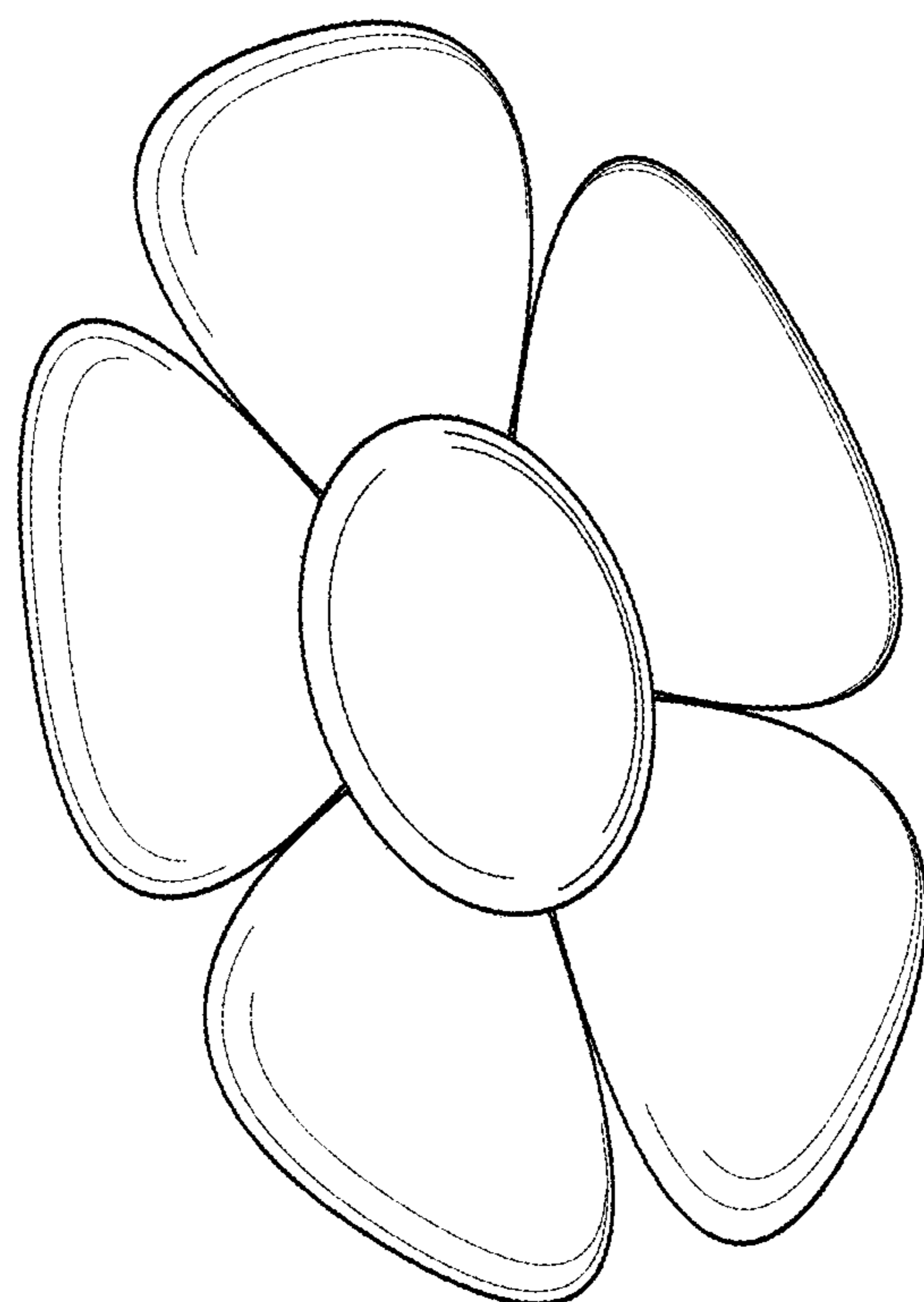


FIG. 1

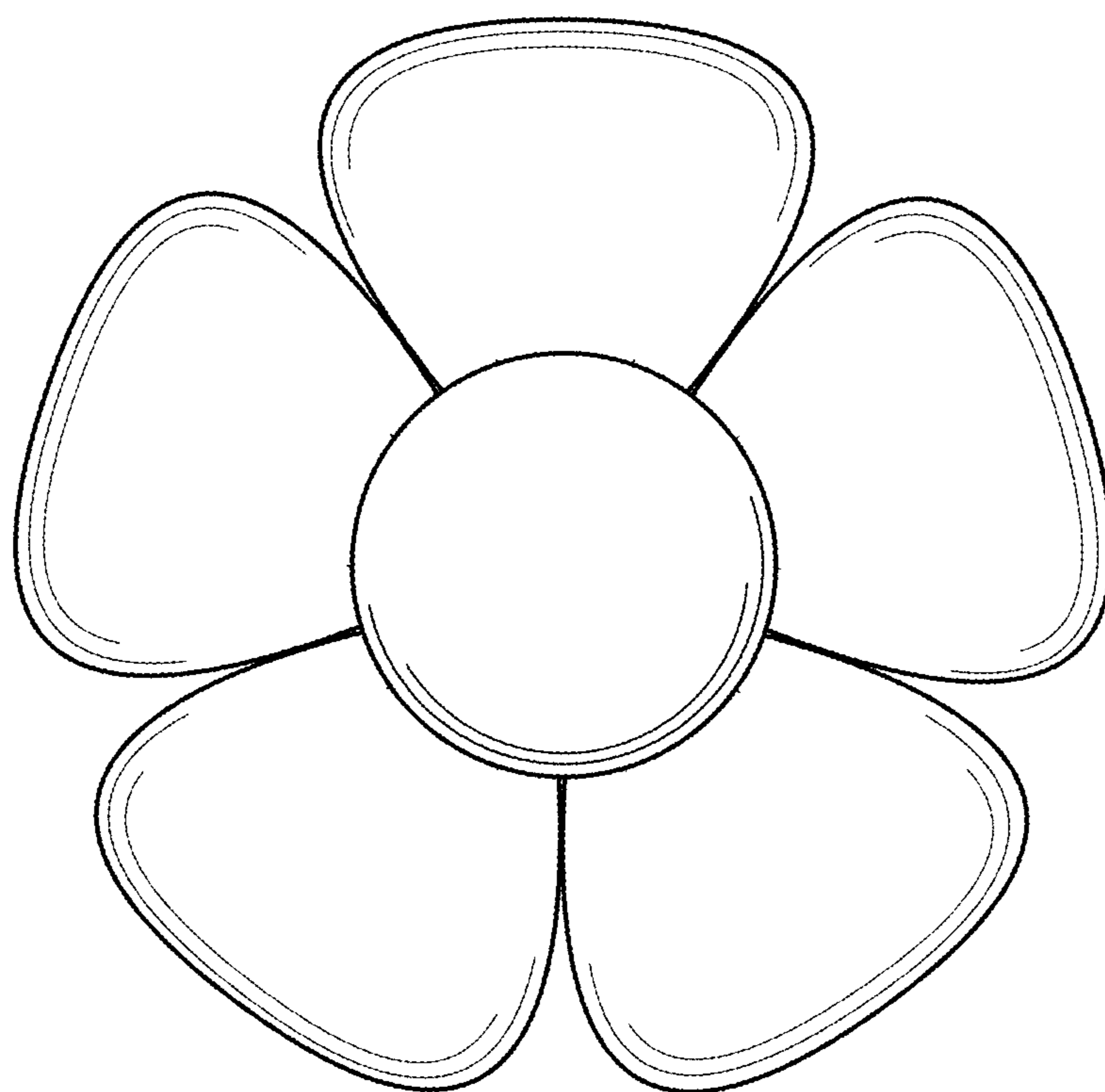


FIG. 2

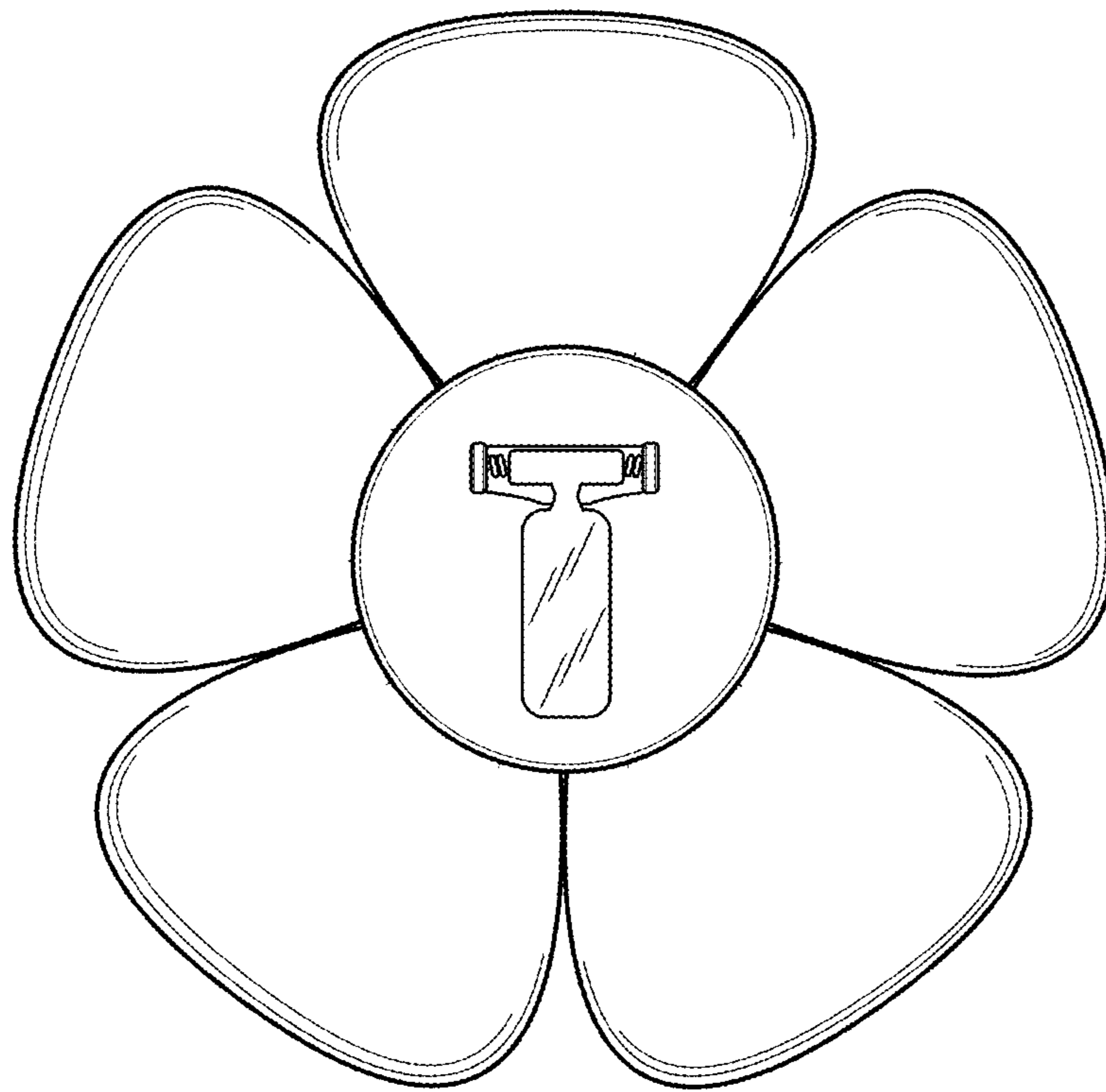


FIG. 3

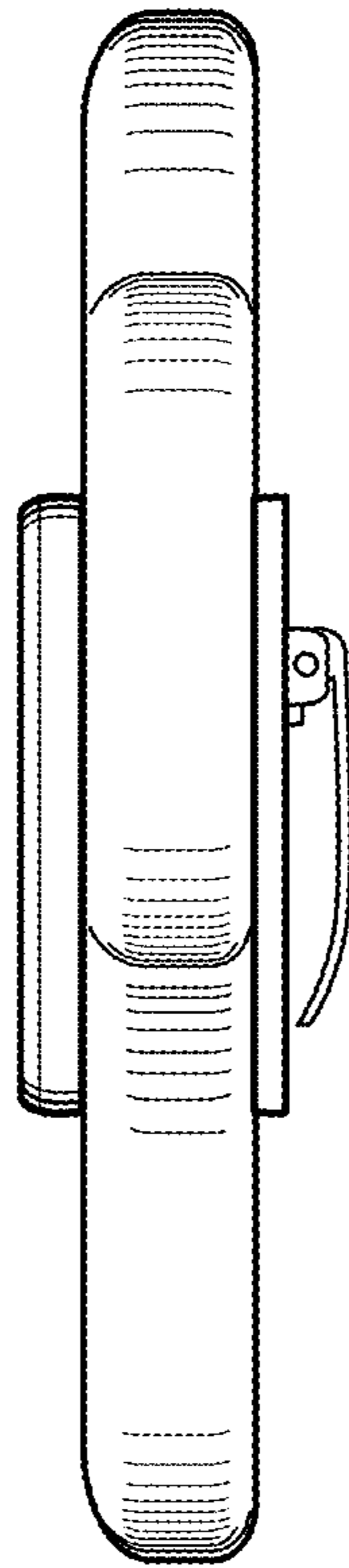


FIG. 4

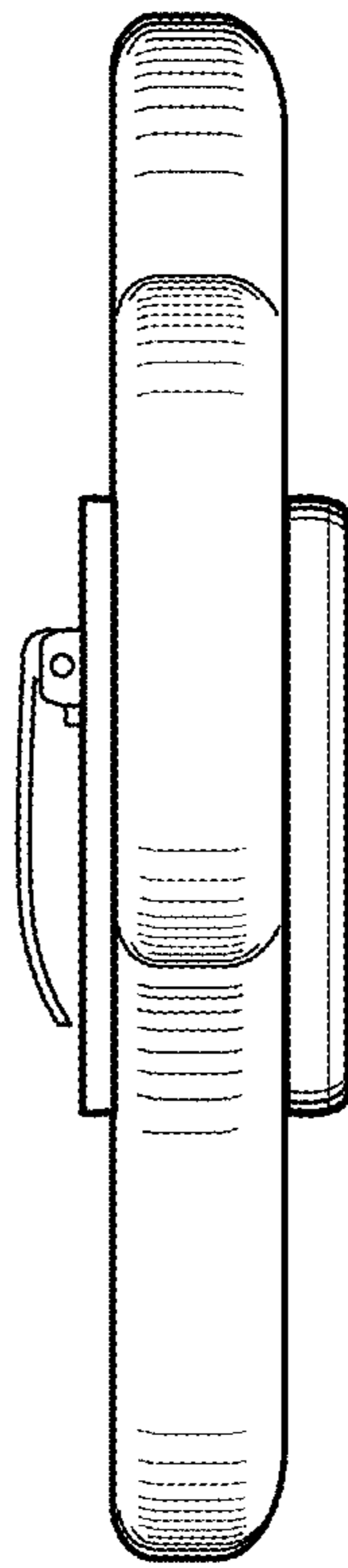


FIG. 5

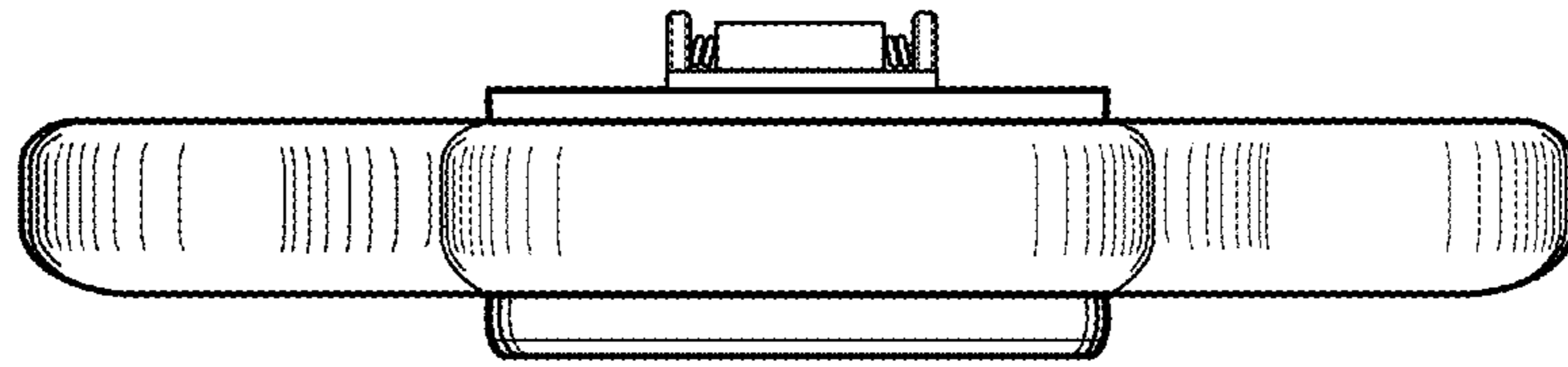


FIG. 6

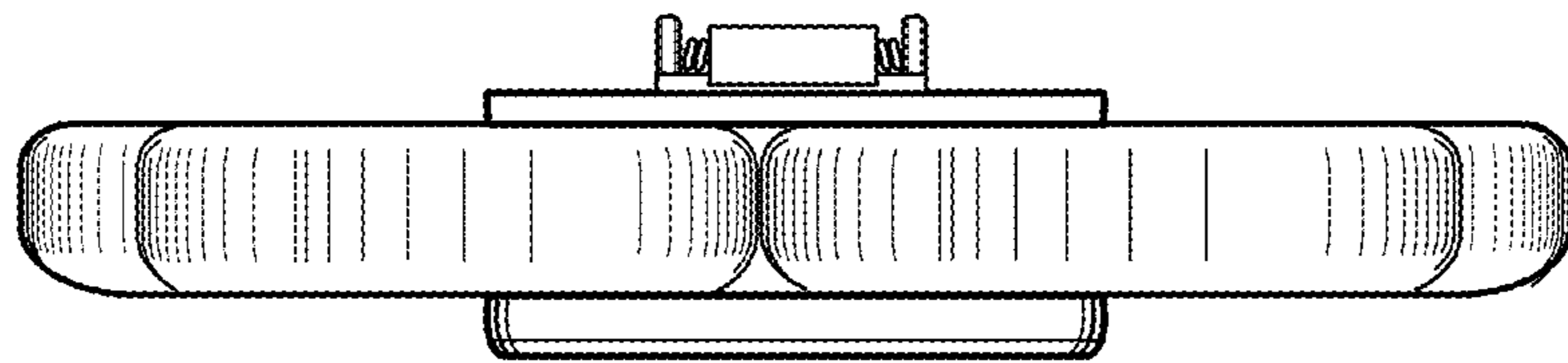


FIG. 7