



US00D780402S

(12) **United States Design Patent** (10) **Patent No.:** **US D780,402 S**
Moore et al. (45) **Date of Patent:** **** Mar. 7, 2017**

(54) **BOOT JACK**

(56) **References Cited**

(71) Applicants: **Oscar Donald Moore**, Okolona, MS (US); **Rodney L. Hampton**, Sulligent, AL (US); **Clyde Reddick**, Okolona, MS (US)

U.S. PATENT DOCUMENTS

111,613	A	*	2/1871	Coleman	A47G 25/80
						223/117
D204,230	S	*	4/1966	De Andre	223/114
3,490,661	A	*	1/1970	Williams	A47G 25/80
						223/114
D220,231	S	*	3/1971	McDonald	D2/642
D224,460	S	*	7/1972	Wright	223/115
D226,245	S	*	1/1973	Roseburg	223/115
D227,188	S	*	6/1973	Hartman	D2/642
3,784,067	A	*	1/1974	Hicks	A47G 25/80
						223/114

(72) Inventors: **Oscar Donald Moore**, Okolona, MS (US); **Rodney L. Hampton**, Sulligent, AL (US); **Clyde Reddick**, Okolona, MS (US)

(**) Term: **14 Years**

(Continued)

(21) Appl. No.: **29/522,612**

Primary Examiner — Barbara Fox

Assistant Examiner — Dana K Weiland

(22) Filed: **Apr. 1, 2015**

(74) *Attorney, Agent, or Firm* — Jeremy A. Smith; Kathleen Milam Best; Bradley Arant Boult Cummings LLP

Related U.S. Application Data

(63) Continuation of application No. 29/450,590, filed on Mar. 19, 2013, now Pat. No. Des. 726,392, which is a continuation of application No. 12/610,171, filed on Oct. 30, 2009, now abandoned.

(51) **LOC (10) Cl.** **07-99**

(52) **U.S. Cl.**
USPC **D2/642**

(58) **Field of Classification Search**
USPC D2/641-642; D9/519, 529, 558, 564, D9/781; D7/684; D23/413; D21/754; 223/111-118, 120; 150/160
CPC A47G 25/80; A47G 25/82; A47G 25/84; A47G 25/86; A47G 25/88; A47G 25/90; A47G 25/92; A47G 25/905; A47G 25/907; A47G 25/908

See application file for complete search history.

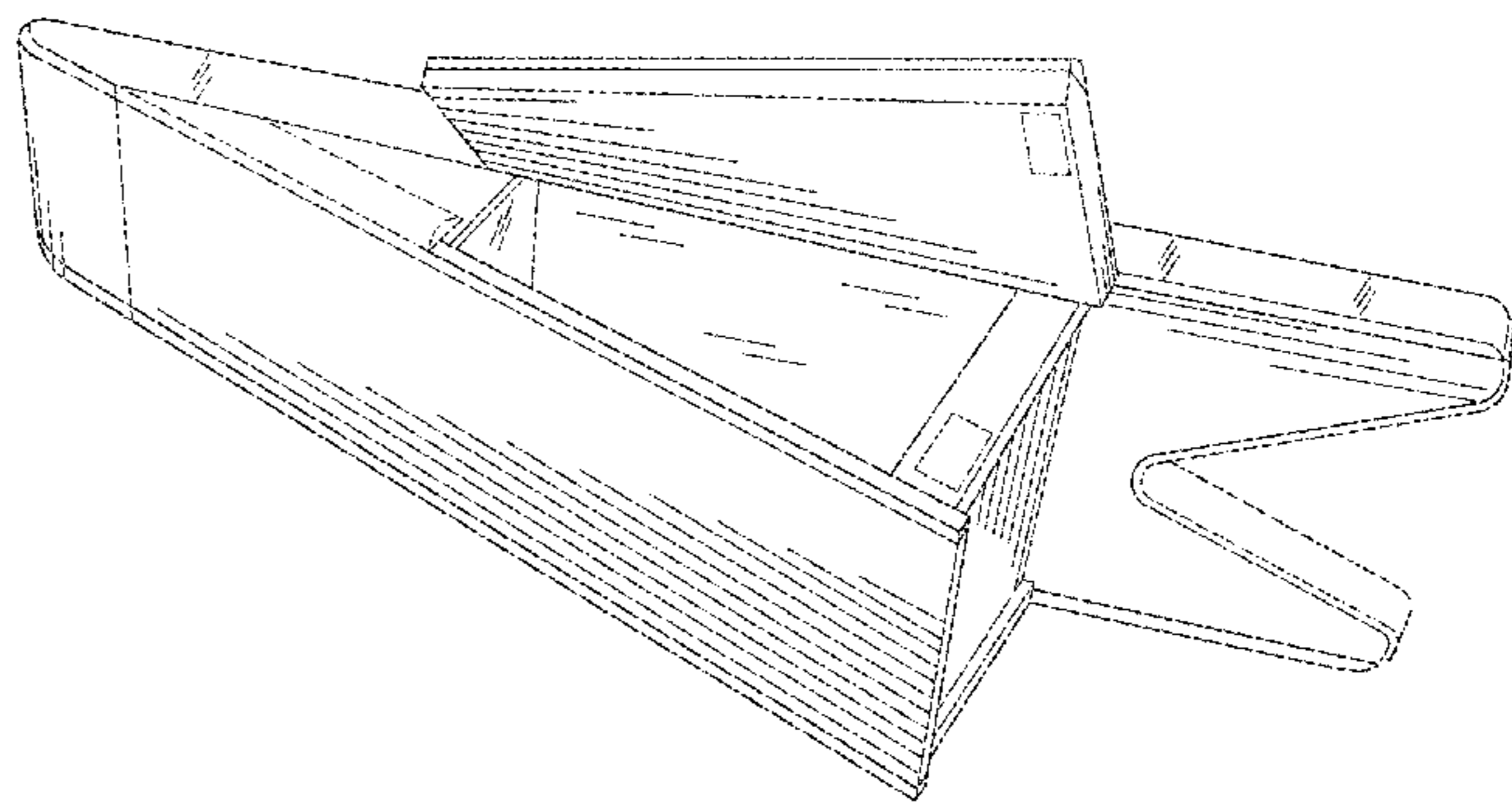
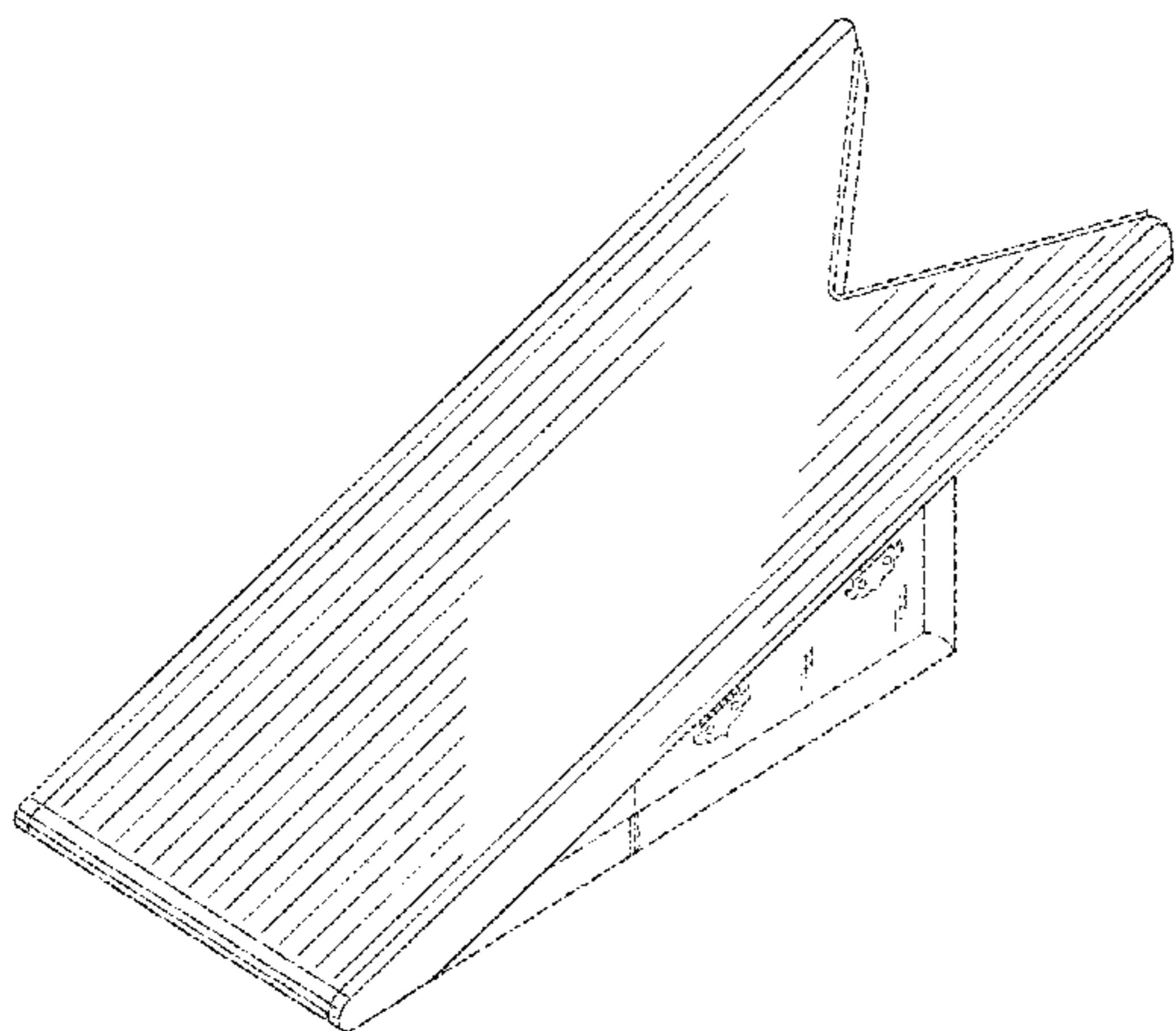
(57) **CLAIM**

The ornamental design for a boot jack, as shown and described herein.

DESCRIPTION

FIG. 1 shows an elevated perspective view of the boot jack. FIG. 2 shows a top plan view of the boot jack. FIG. 3 shows a left side view of the boot jack. FIG. 4 shows a bottom view of the boot jack. FIG. 5 shows a right side view of the boot jack. FIG. 6 shows a front end view of the boot jack. FIG. 7 shows a rear end view of the boot jack; and, FIG. 8 shows a perspective view of the boot jack showing a door in an open configuration. The dashed lines, if any, shown in the drawings illustrate environmental structure and form no part of the claimed design.

1 Claim, 5 Drawing Sheets



(56)

References Cited

U.S. PATENT DOCUMENTS

3,964,117 A *	6/1976	Fox	A47G 25/80			
							12/120.5
D275,814 S *	10/1984	Windsor		223/115		
D277,997 S *	3/1985	Horner		D2/642		
D286,580 S *	11/1986	Stirling		D2/642		
D287,542 S *	1/1987	Wilkinson		D2/642		
4,760,942 A *	8/1988	Kadar	A47G 25/80			223/114
5,054,667 A *	10/1991	Levy	A47G 25/80			223/111
5,133,488 A *	7/1992	Peterson	A47G 25/80			223/114
D347,313 S *	5/1994	Whitaker		D2/642		
D350,011 S *	8/1994	Edwards		D2/642		
5,345,641 A *	9/1994	Webster	A47L 23/26			15/105
D352,388 S *	11/1994	Swirsky		D2/642		
5,516,015 A *	5/1996	Berzins	A47G 25/80			223/114
D412,771 S *	8/1999	Kelley		D2/642		
D420,203 S *	2/2000	Watkins		D2/642		
6,135,331 A *	10/2000	Davis	A47G 25/80			223/111
6,283,343 B1 *	9/2001	Hillmer	A47G 25/80			223/114
D482,183 S *	11/2003	Hopping		D2/642		
6,702,163 B1 *	3/2004	Hopping	A47G 25/80			223/113
7,048,159 B1 *	5/2006	Bowers	A47G 25/80			223/115
D594,183 S *	6/2009	Sagedy		D2/642		
D633,687 S *	3/2011	Zeller		D2/642		
D726,392 S *	4/2015	Moore, Sr.		D2/642		
2013/0082076 A1 *	4/2013	Vitillo	A47G 25/80			223/113

* cited by examiner

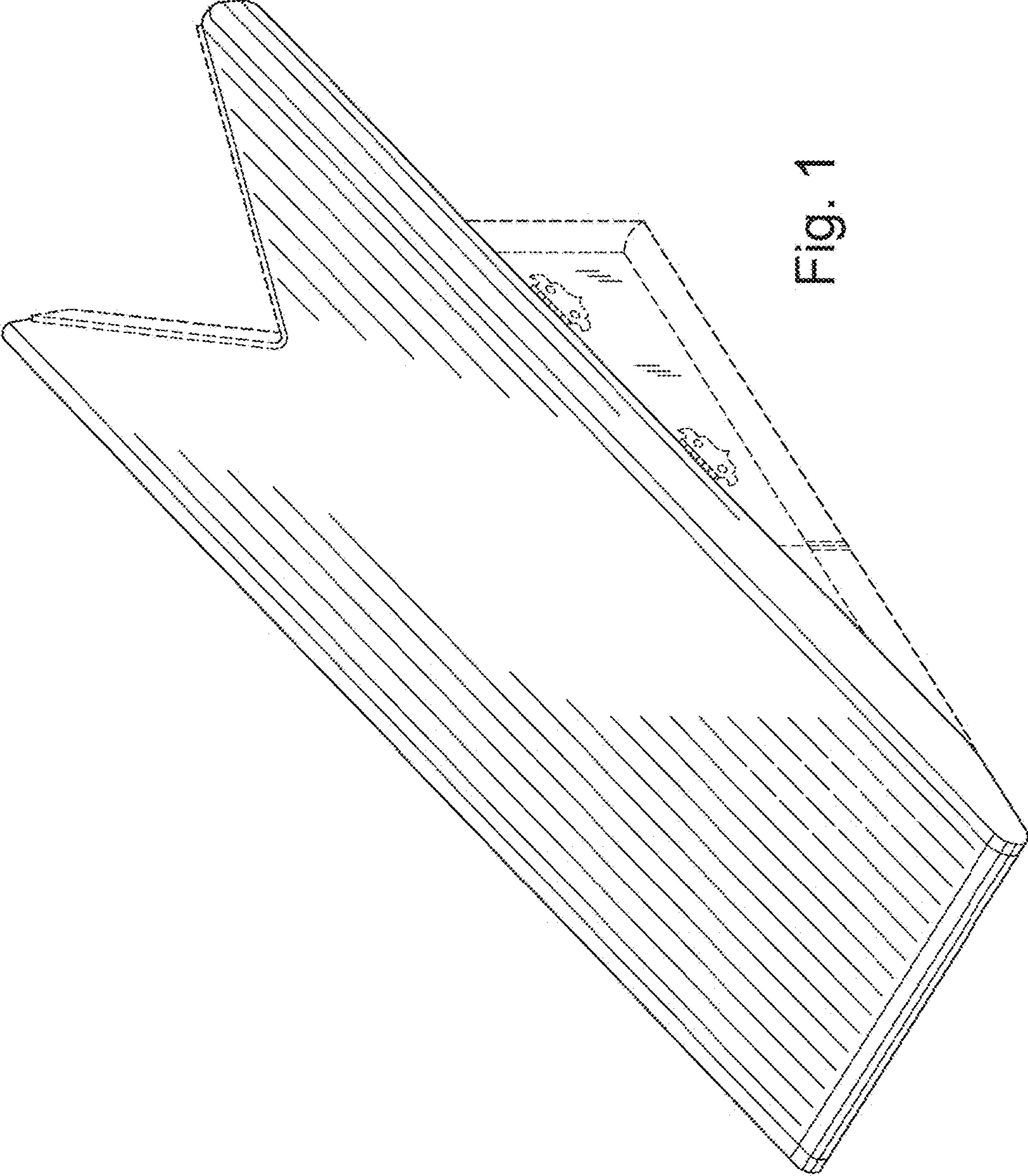


Fig. 1

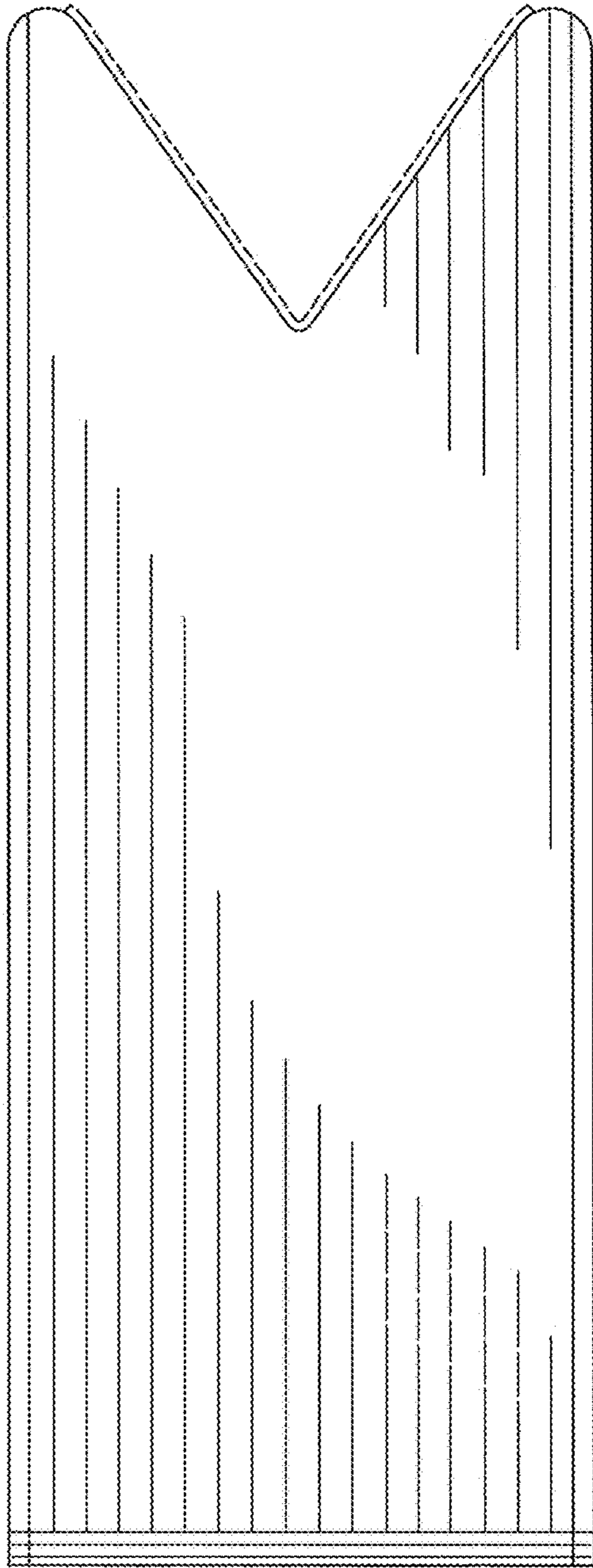


Fig. 2

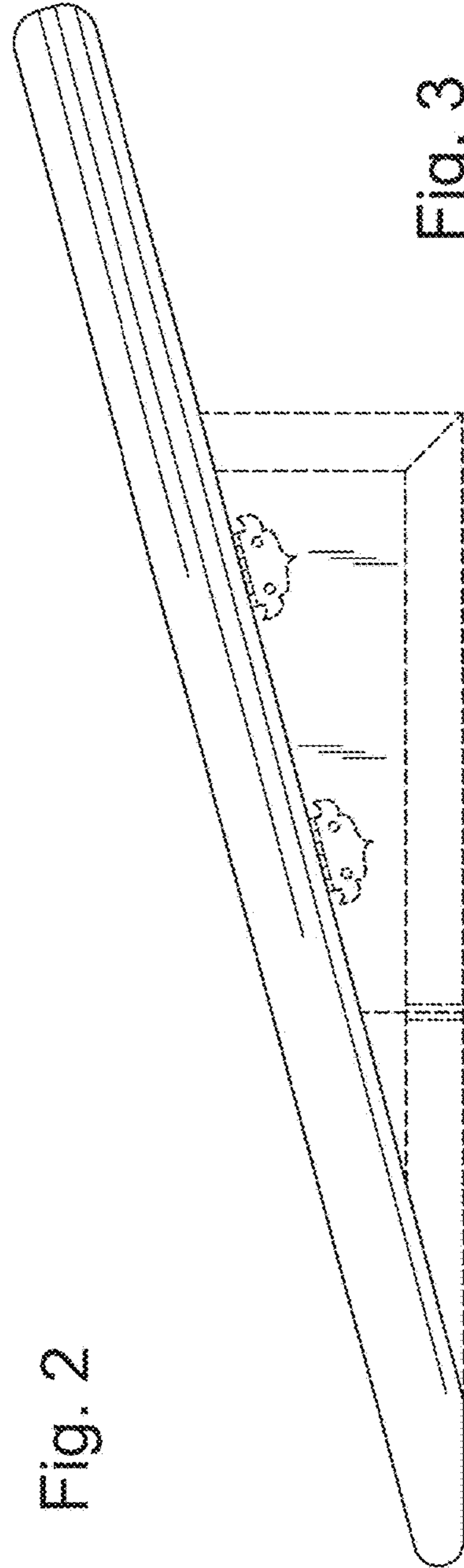


Fig. 3

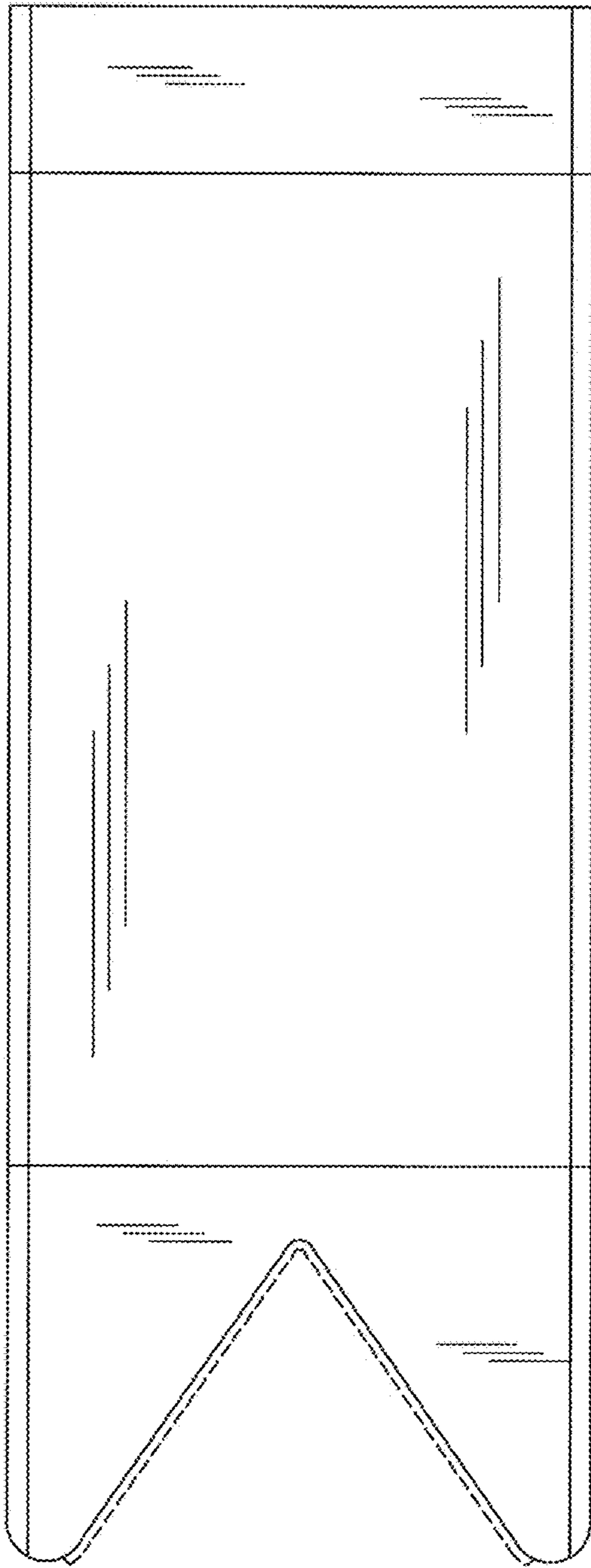


Fig. 4

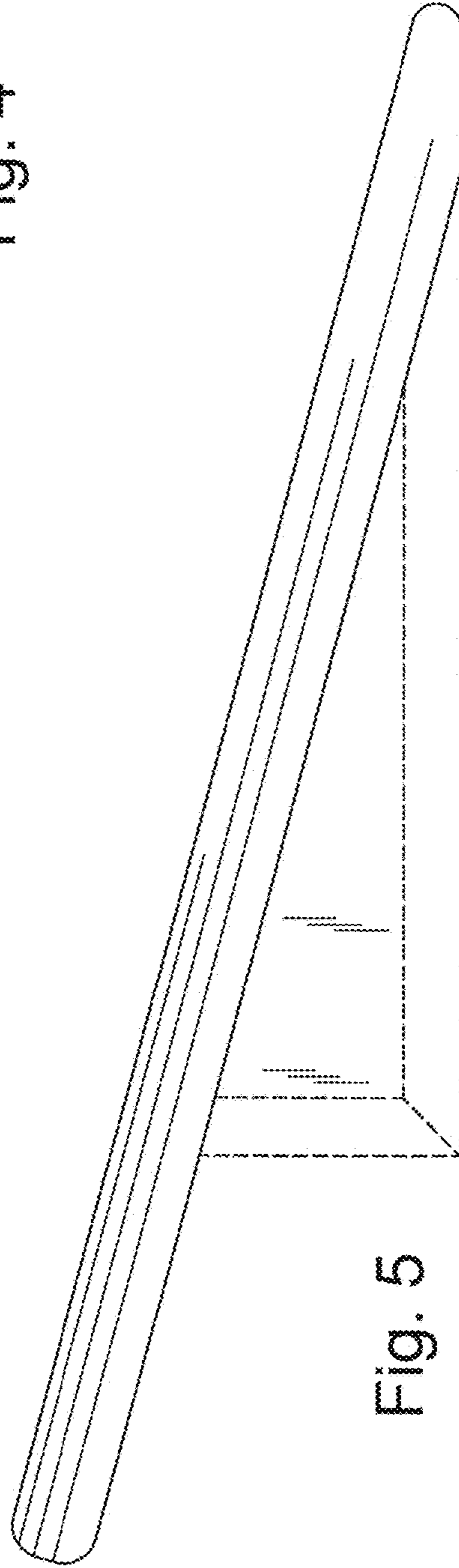


Fig. 5

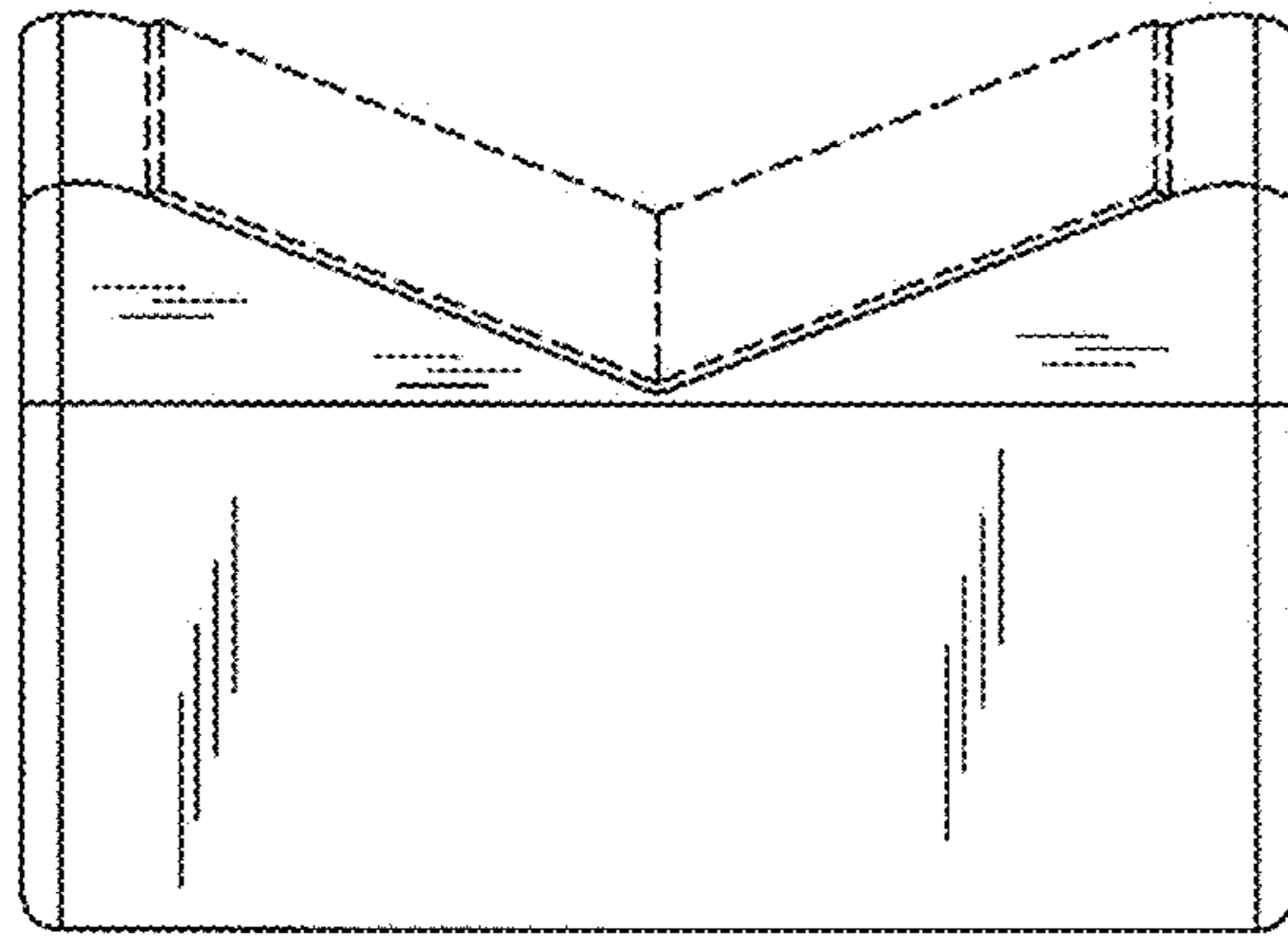


Fig. 6

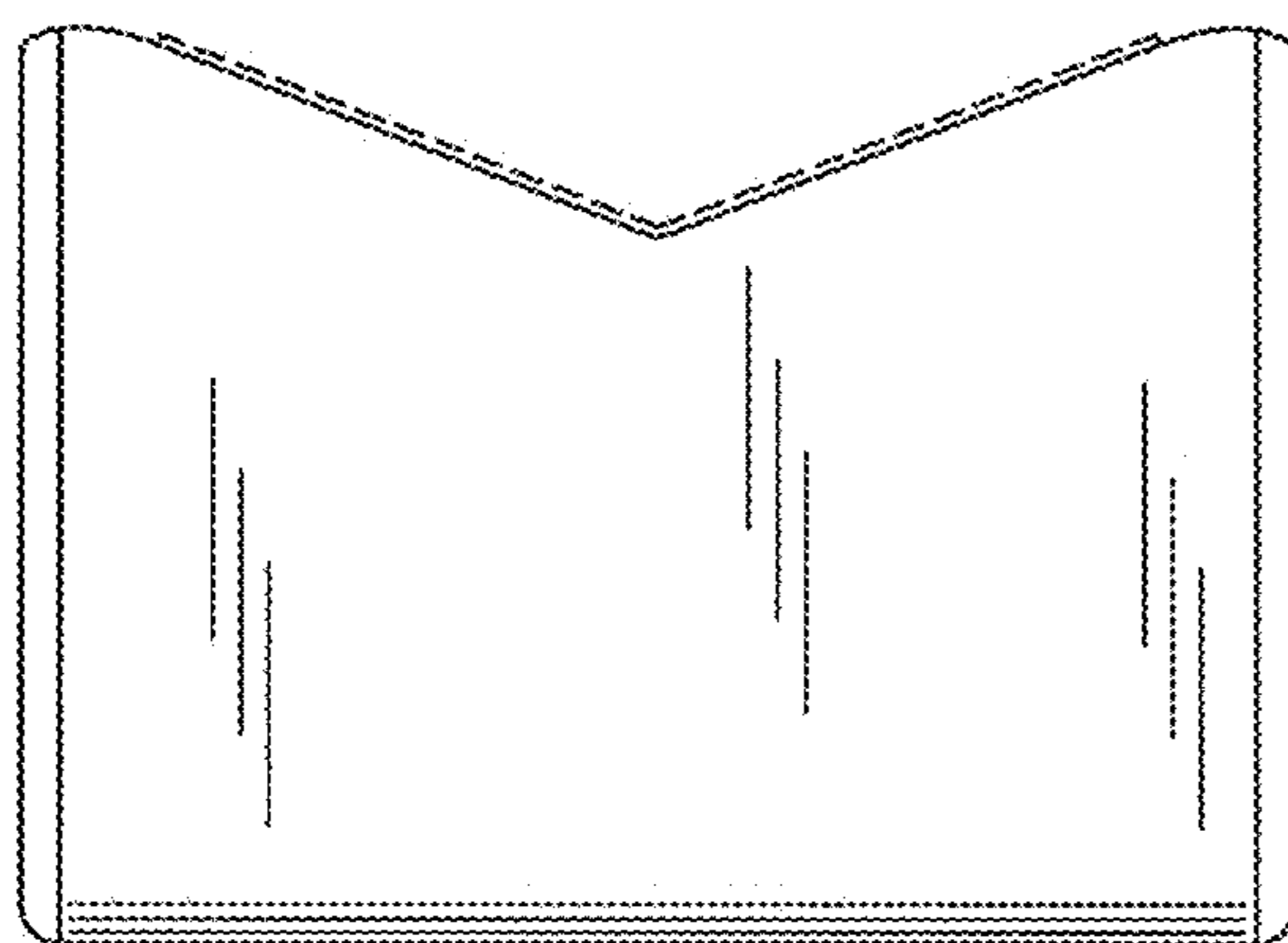


Fig. 7

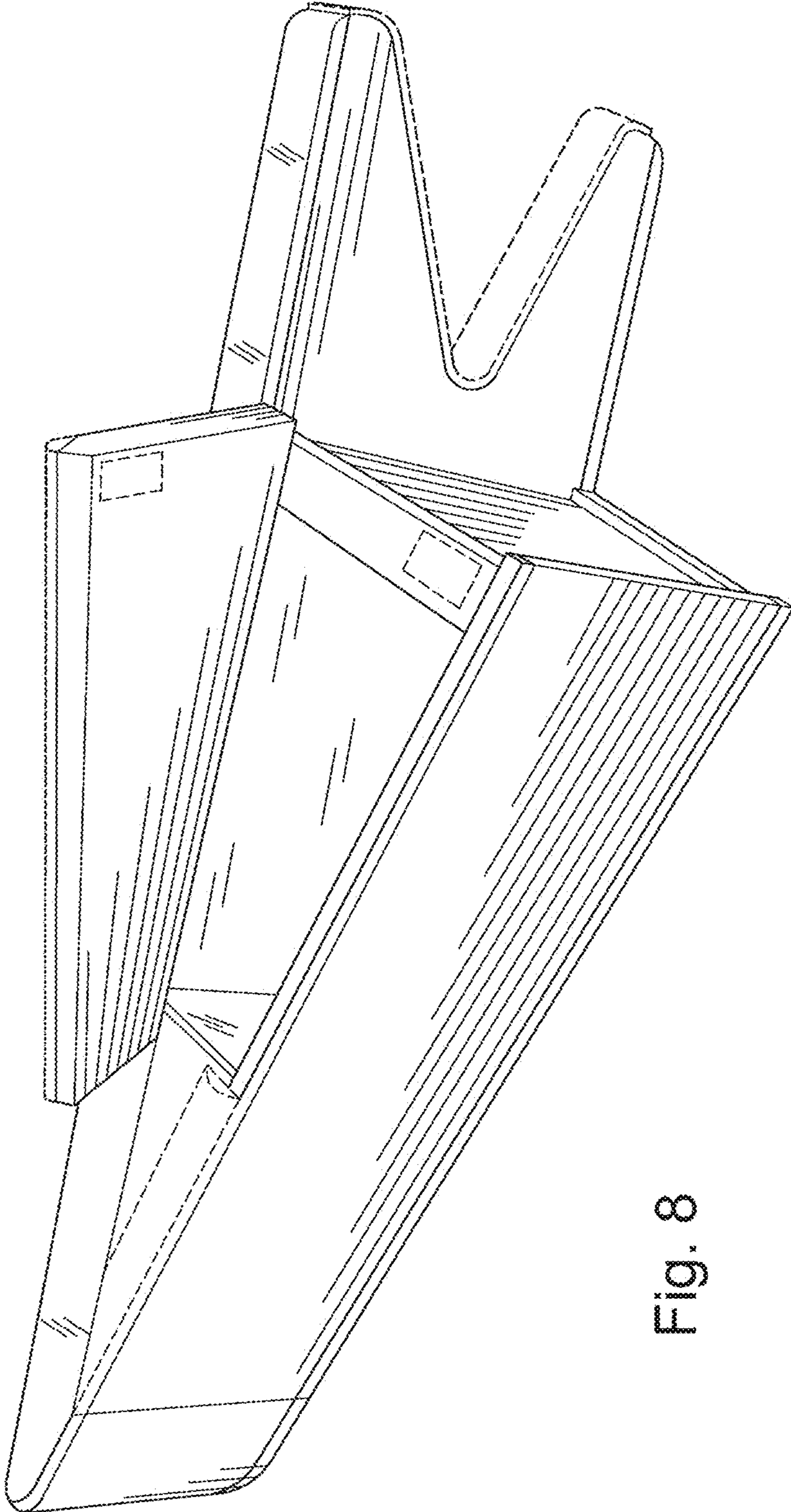


Fig. 8