



US00D780399S

(12) **United States Design Patent** (10) **Patent No.:** **US D780,399 S**
Pettinga (45) **Date of Patent:** **** Feb. 28, 2017**

(54) **CONVEYOR TRANSFER GUARD**
(71) Applicant: **Flexible Steel Lacing Company,**
Downers Grove, IL (US)
(72) Inventor: **Mark Steven Pettinga,** Hudsonville,
MI (US)

3,738,650 A 6/1973 Ossenkop et al.
3,878,735 A 4/1975 Preuss
3,988,880 A 11/1976 Miyazaki et al.
4,096,943 A 6/1978 Gentsch
4,288,208 A 9/1981 Kusters
(Continued)

(73) Assignee: **Flexible Steel Lacing Company,**
Downers Grove, IL (US)

FOREIGN PATENT DOCUMENTS

DE 3014608 A1 10/1981
DE 3224557 A1 1/1984
(Continued)

(**) Term: **14 Years**

OTHER PUBLICATIONS

(21) Appl. No.: **29/523,581**
(22) Filed: **Apr. 10, 2015**
(51) **LOC (10) Cl.** **12-05**
(52) **U.S. Cl.**
USPC **D34/29; D34/35**
(58) **Field of Classification Search**
USPC D34/29, 35; D8/499; 198/599, 844.1,
198/779, 600, 614
CPC . B65G 21/2072; B65G 2201/02; B65G 47/66;
B65G 47/52; B65G 17/08
See application file for complete search history.

Notification of Transmittal of the International Search Report and the Written Opinion of the International Searching Authority, or the Declaration from the International Bureau of WIPO for corresponding International Application No. PCT/US15/25484, dated Sep. 11, 2015, 10 pages.

Primary Examiner — Cynthia Ramirez
(74) *Attorney, Agent, or Firm* — Fitch, Even, Tabin & Flannery LLP

(57) **CLAIM**

I claim the ornamental design for a conveyor transfer guard, as shown and described.

(56) **References Cited**

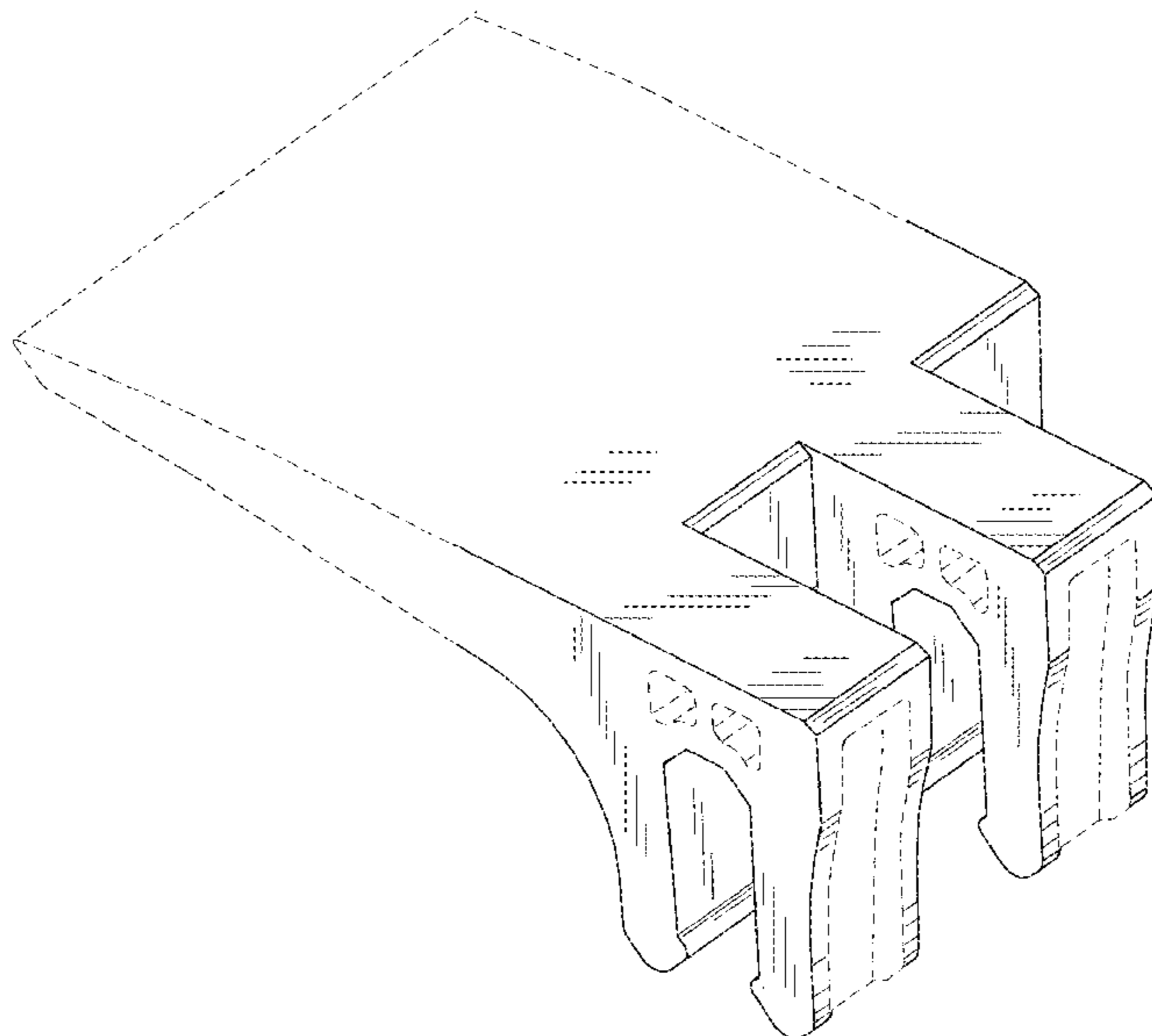
DESCRIPTION

U.S. PATENT DOCUMENTS

2,232,081 A 2/1941 Sloane
2,237,345 A 4/1941 Frentzel, Jr. et al.
2,517,983 A 8/1950 Crosland
2,536,961 A 1/1951 Smith
2,624,444 A 1/1953 Casabona
2,899,086 A 8/1959 Saint-Andre
D209,071 S * 10/1967 Koch D15/147
3,345,957 A 10/1967 Welch
D209,421 S * 11/1967 Fabian D25/125
3,465,489 A 9/1969 Monaghan
3,548,996 A 12/1970 Ellis
3,587,674 A 6/1971 Adkin
3,623,598 A 11/1971 Anfossi

FIG. 1 is a perspective view of a conveyor transfer guard, showing my new design;
FIG. 2 is a right side elevational view thereof;
FIG. 3 is a left side elevational view thereof;
FIG. 4 is a top plan view thereof;
FIG. 5 is a bottom plan view thereof;
FIG. 6 is a front elevational view thereof; and,
FIG. 7 is a rear elevational view thereof.
The broken lines in the figures are included for the purpose of illustrating portions of the conveyor transfer guard and form no part of the claimed design.

1 Claim, 6 Drawing Sheets



(56)

References Cited

U.S. PATENT DOCUMENTS

4,613,036 A 9/1986 Bourgeois
 4,718,543 A 1/1988 Leisner et al.
 D303,974 S * 10/1989 Karr D15/126
 4,989,723 A 2/1991 Bode et al.
 5,009,307 A 4/1991 Chance et al.
 5,044,485 A 9/1991 Loder
 5,065,222 A 11/1991 Ishii
 5,215,182 A 6/1993 Garbagnati
 5,311,982 A 5/1994 Clopton
 5,320,478 A 6/1994 Gonsowski et al.
 5,344,001 A 9/1994 Kawaaai et al.
 5,584,373 A 12/1996 Layne
 5,597,062 A 1/1997 Biwer
 5,597,063 A 1/1997 Bogle et al.
 5,695,042 A 12/1997 van der Burgt et al.
 D407,174 S * 3/1999 Baker D34/29
 5,957,265 A 9/1999 Clopton
 5,971,129 A 10/1999 Stawniak et al.
 D419,742 S * 1/2000 Abbestam D34/29
 6,138,819 A 10/2000 Bogle et al.
 6,164,435 A 12/2000 Coen et al.
 6,550,604 B2 4/2003 MacLachlan
 6,630,633 B1 10/2003 Uber et al.
 D483,168 S * 12/2003 McDaniel D34/29
 D484,545 S * 12/2003 McIlvaine D20/43
 D493,933 S * 8/2004 Schwagermann D34/29
 6,896,122 B2 5/2005 Gambrell et al.
 6,959,803 B1 11/2005 Layne et al.
 7,210,569 B1 5/2007 Tarhan et al.
 D547,523 S * 7/2007 Swinderman D34/29

7,258,225 B2 8/2007 Hall
 7,523,820 B1 4/2009 Wu et al.
 8,042,682 B2 * 10/2011 Ertel B65G 23/06
 198/834
 8,162,133 B2 4/2012 Ruge
 8,210,341 B2 7/2012 Marshall et al.
 8,365,899 B2 2/2013 McKee
 9,022,207 B2 5/2015 Tully et al.
 2005/0173858 A1 8/2005 Temler et al.
 2006/0070966 A1 4/2006 Koudys et al.
 2006/0108204 A1 5/2006 Marsetti
 2007/0023257 A1 2/2007 Schiesser
 2008/0296129 A1 12/2008 Yagi et al.
 2010/0108467 A1 5/2010 Barreyre et al.
 2011/0132725 A1 6/2011 Marshall et al.
 2015/0291368 A1 * 10/2015 Pettinga B65G 47/66
 198/600

FOREIGN PATENT DOCUMENTS

DE 19858521 A1 6/2000
 DE 202006003116 U1 4/2006
 EP 0778229 A2 6/1997
 EP 0906879 A1 4/1999
 EP 0919493 A1 6/1999
 GB 1352993 5/1974
 JP 11-5264 A 1/1999
 JP 2000-177836 6/2000
 SU 590213 1/1978
 SU 1159859 A 6/1985
 SU 1328266 A1 8/1987
 WO 2011/071743 A1 6/2011

* cited by examiner

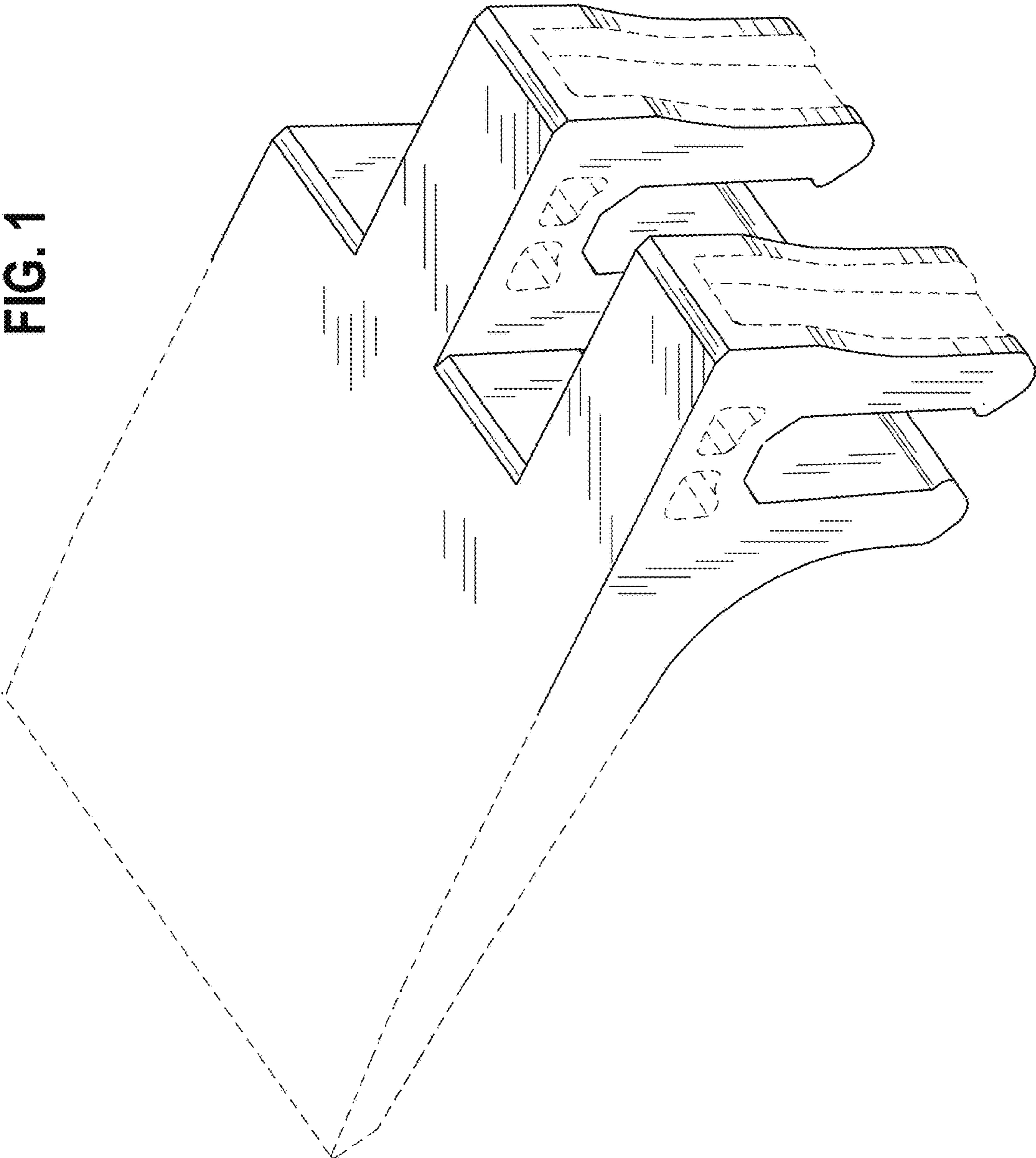


FIG. 1

FIG. 2

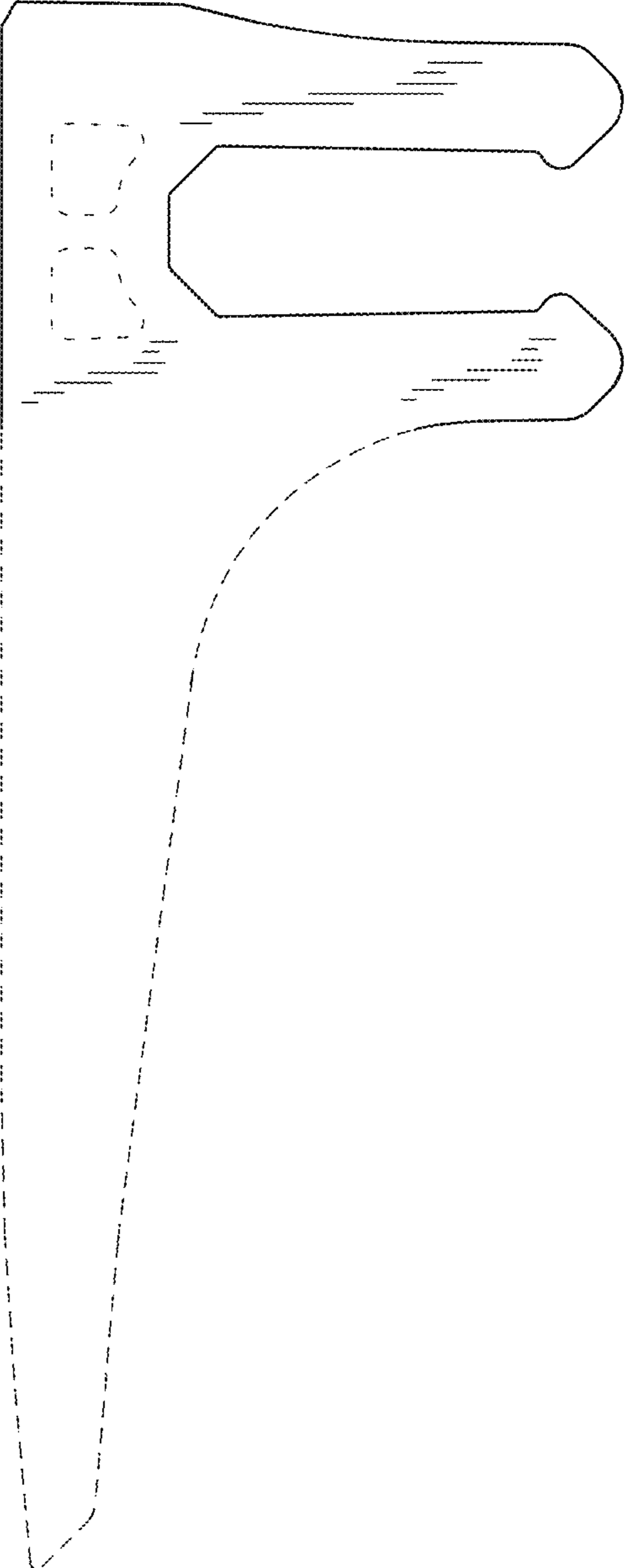


FIG. 3

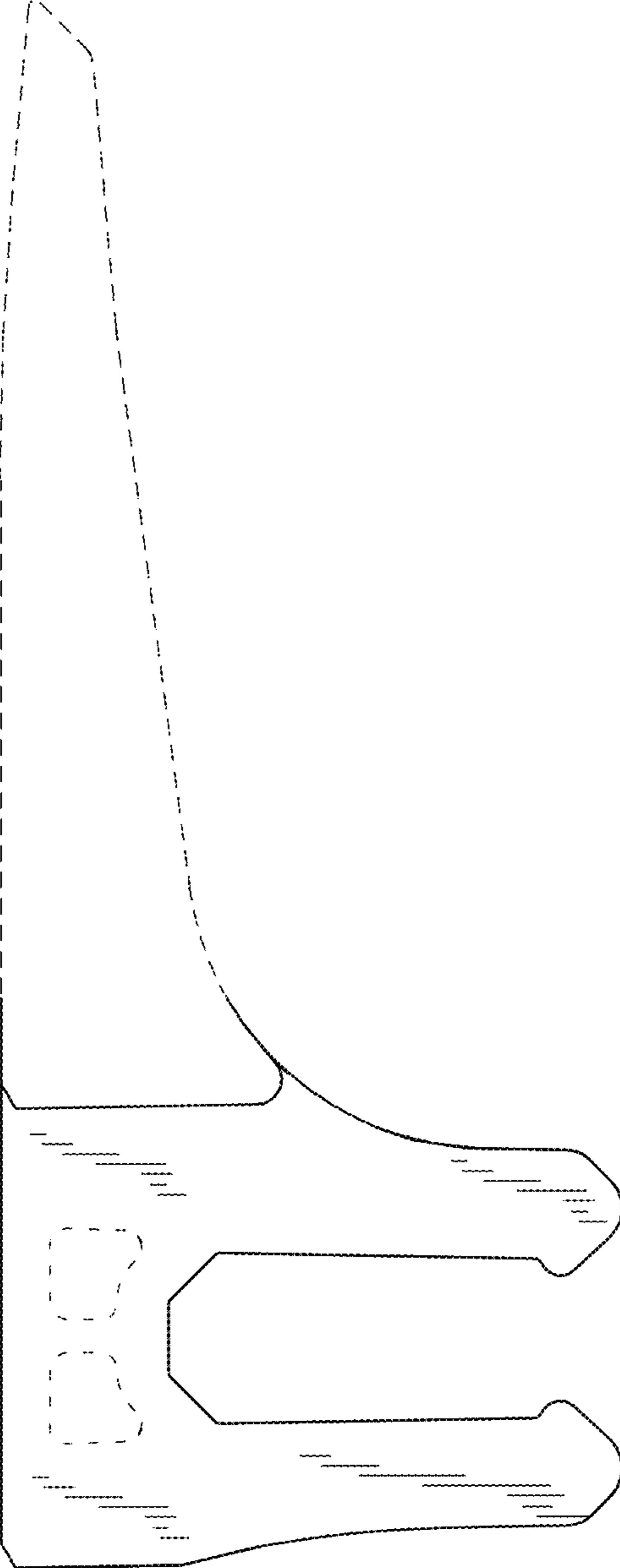


FIG. 4

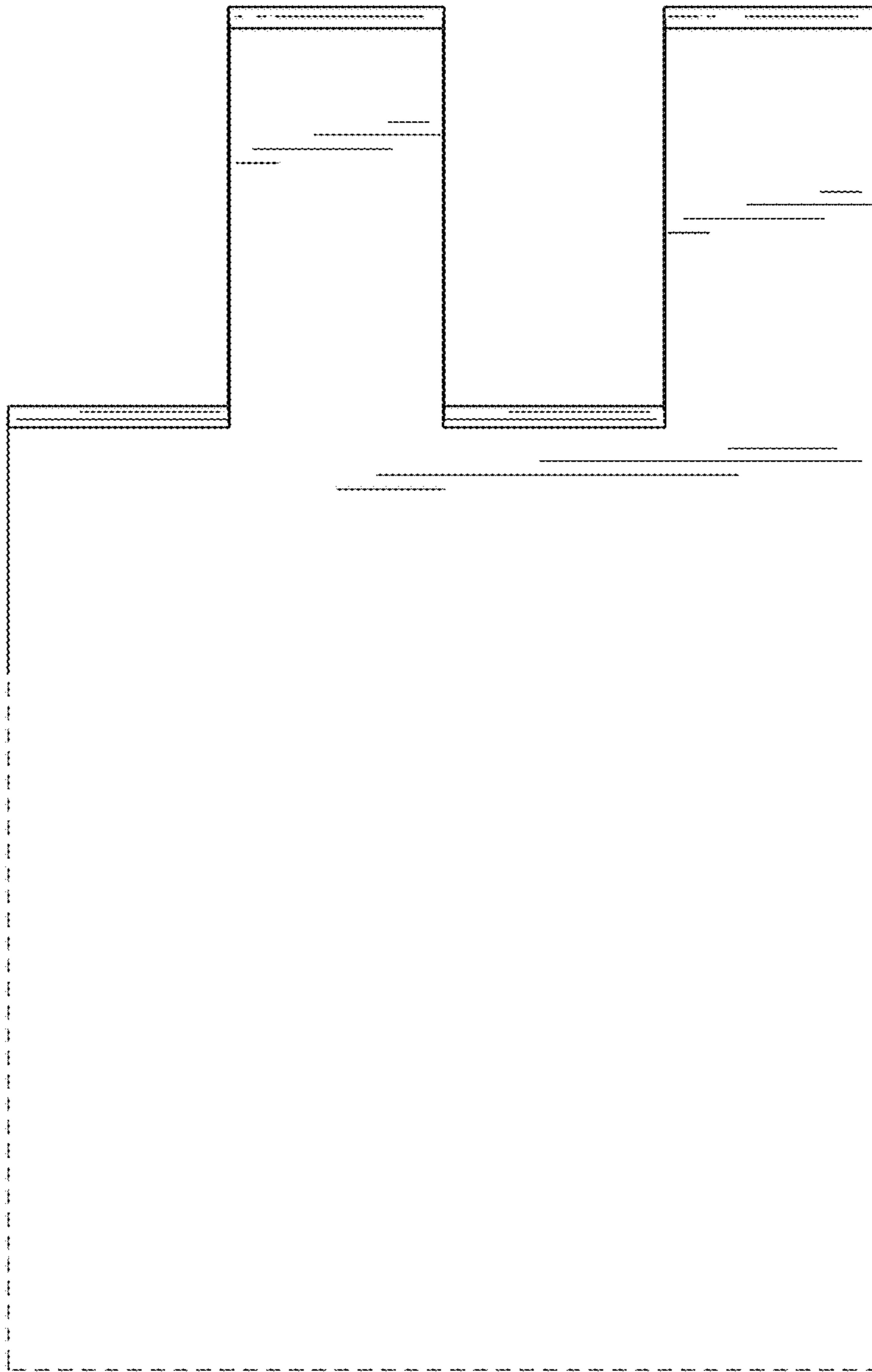


FIG. 5

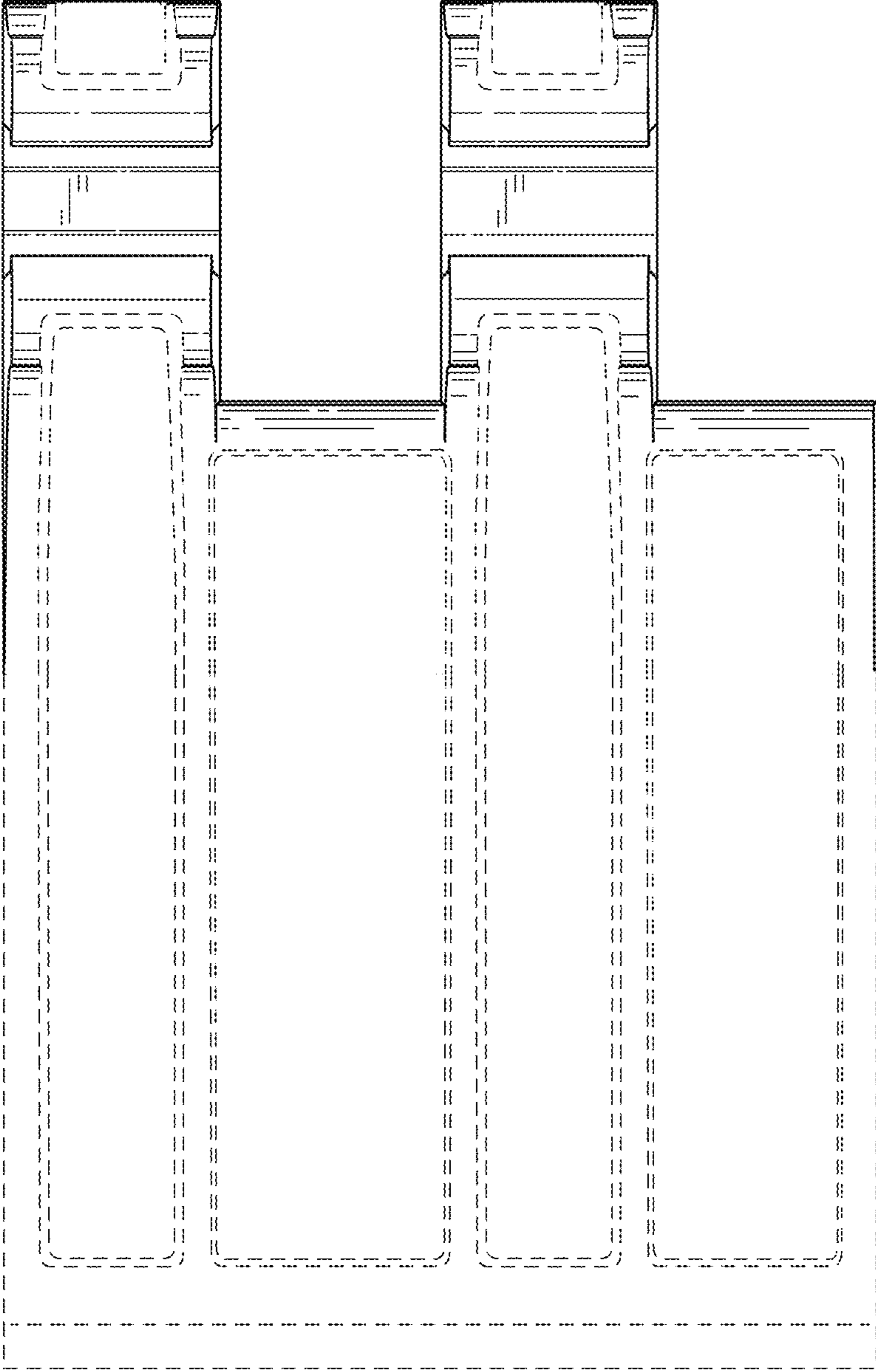


FIG. 6

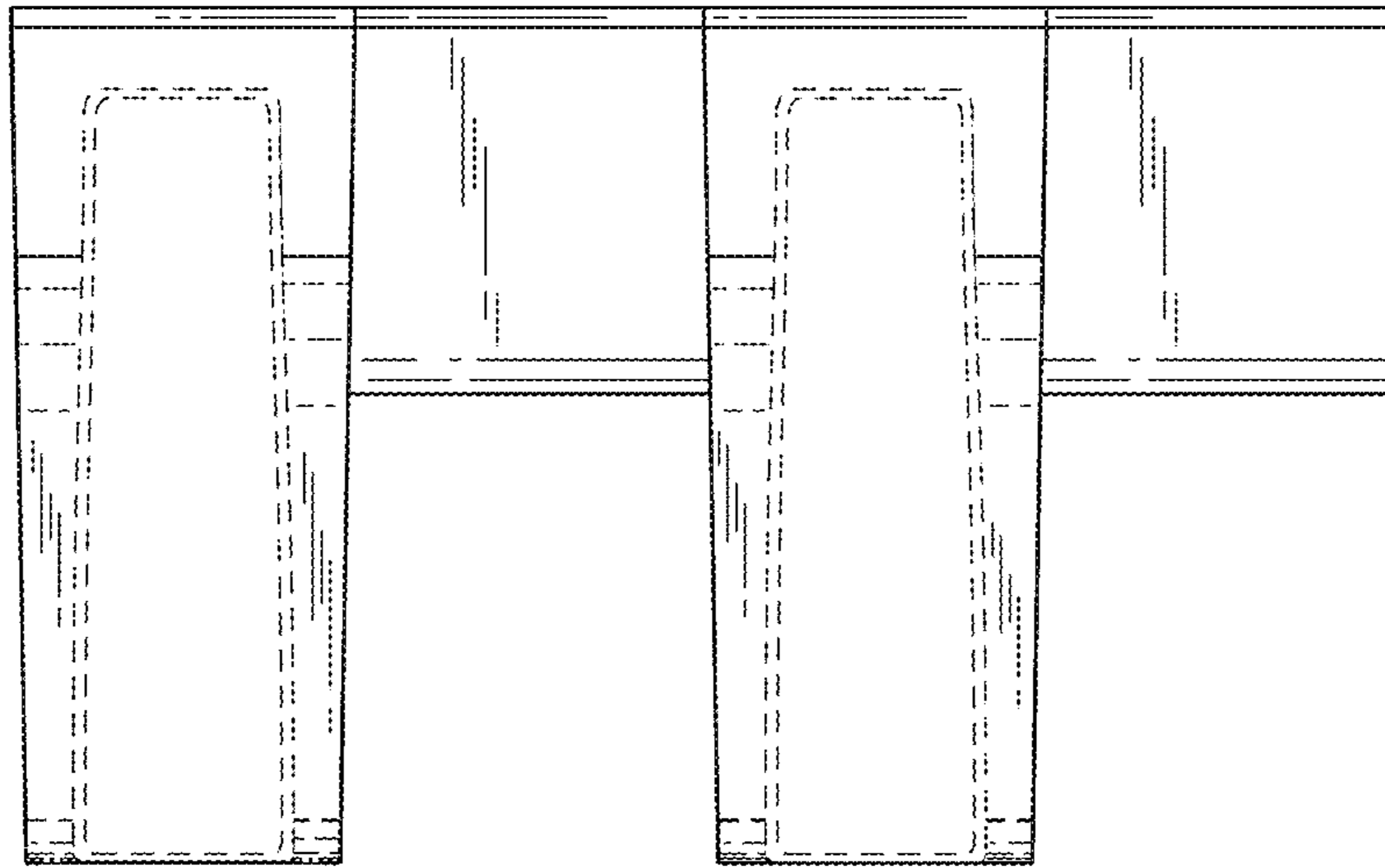


FIG. 7

