



US00D780398S

(12) **United States Design Patent** (10) **Patent No.:** **US D780,398 S**
Drake et al. (45) **Date of Patent:** **** Feb. 28, 2017**

(54) **HAND TRUCK BASE PLATE WITH RAISED EDGES**

D664,733 S * 7/2012 Yang D34/24
D683,923 S * 6/2013 Henley D34/26
D758,687 S * 6/2016 Shitrit D34/12
2005/0127625 A1* 6/2005 Zimmer B62B 1/125
280/47.27

(71) Applicants: **Coby Drake**, Enterprise, UT (US);
Kory Drake, Enterprise, UT (US)

* cited by examiner

(72) Inventors: **Coby Drake**, Enterprise, UT (US);
Kory Drake, Enterprise, UT (US)

Primary Examiner — Cynthia Ramirez

(**) Term: **15 Years**

(74) *Attorney, Agent, or Firm* — Gurr & Brande, PLLC;
Robert A. Gurr

(21) Appl. No.: **29/539,152**

(57) **CLAIM**

(22) Filed: **Sep. 11, 2015**

The ornamental design for a hand truck base plate with raised edges, as shown and described.

(51) **LOC (10) Cl.** **12-02**

(52) **U.S. Cl.**
USPC **D34/27**

DESCRIPTION

(58) **Field of Classification Search**
USPC D34/12–27; 280/47.2, 47.21, 47.27, 654
CPC B62B 5/00; B62B 1/02; B62B 1/10;
B62B 1/12; B62B 1/18; B62B 1/14; B62B
1/002

FIG. 1 is a perspective view of the hand truck base plate with raised edges;
FIG. 2 is a front elevation view of the hand truck base plate with raised edges;
FIG. 3 is a back elevation view of the hand truck base plate with raised edges;
FIG. 4 is a side elevation view of the hand truck base plate with raised edges;
FIG. 5 is a bottom view of the hand truck base plate with raised edges; and,
FIG. 6 is a top view of the hand truck base plate with raised edges.

See application file for complete search history.

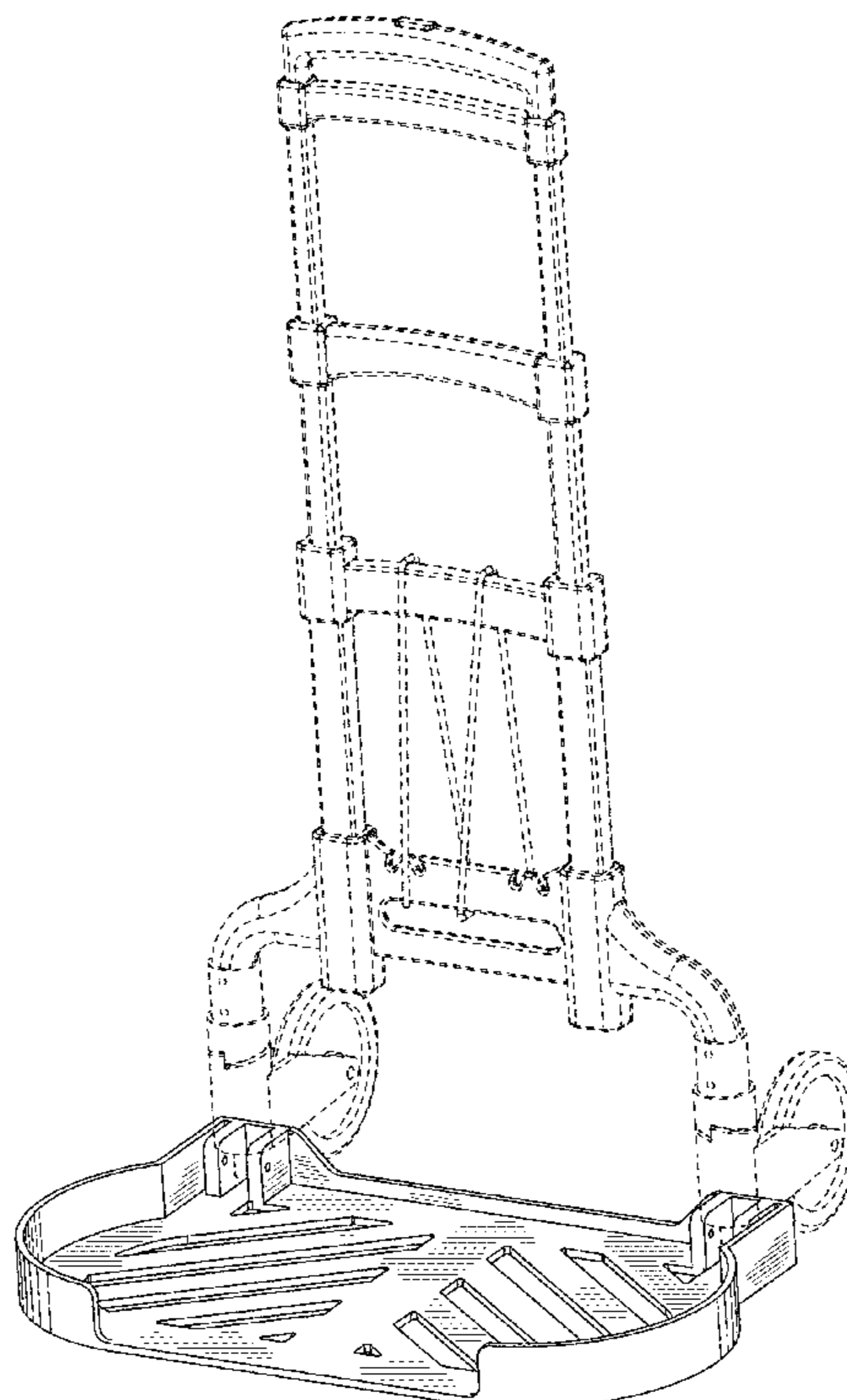
The broken lines in FIG. 1 depict environmental matter and form no part of the claimed design.

(56) **References Cited**

U.S. PATENT DOCUMENTS

D453,602 S * 2/2002 Chang D34/24
D466,267 S * 11/2002 Lee D34/24
D480,527 S * 10/2003 Kollen D34/21
D485,038 S * 1/2004 Zimmer D34/24
7,044,484 B2 * 5/2006 Wang B62B 1/125
280/40
7,097,183 B1 * 8/2006 Su B62B 1/12
280/40

1 Claim, 3 Drawing Sheets



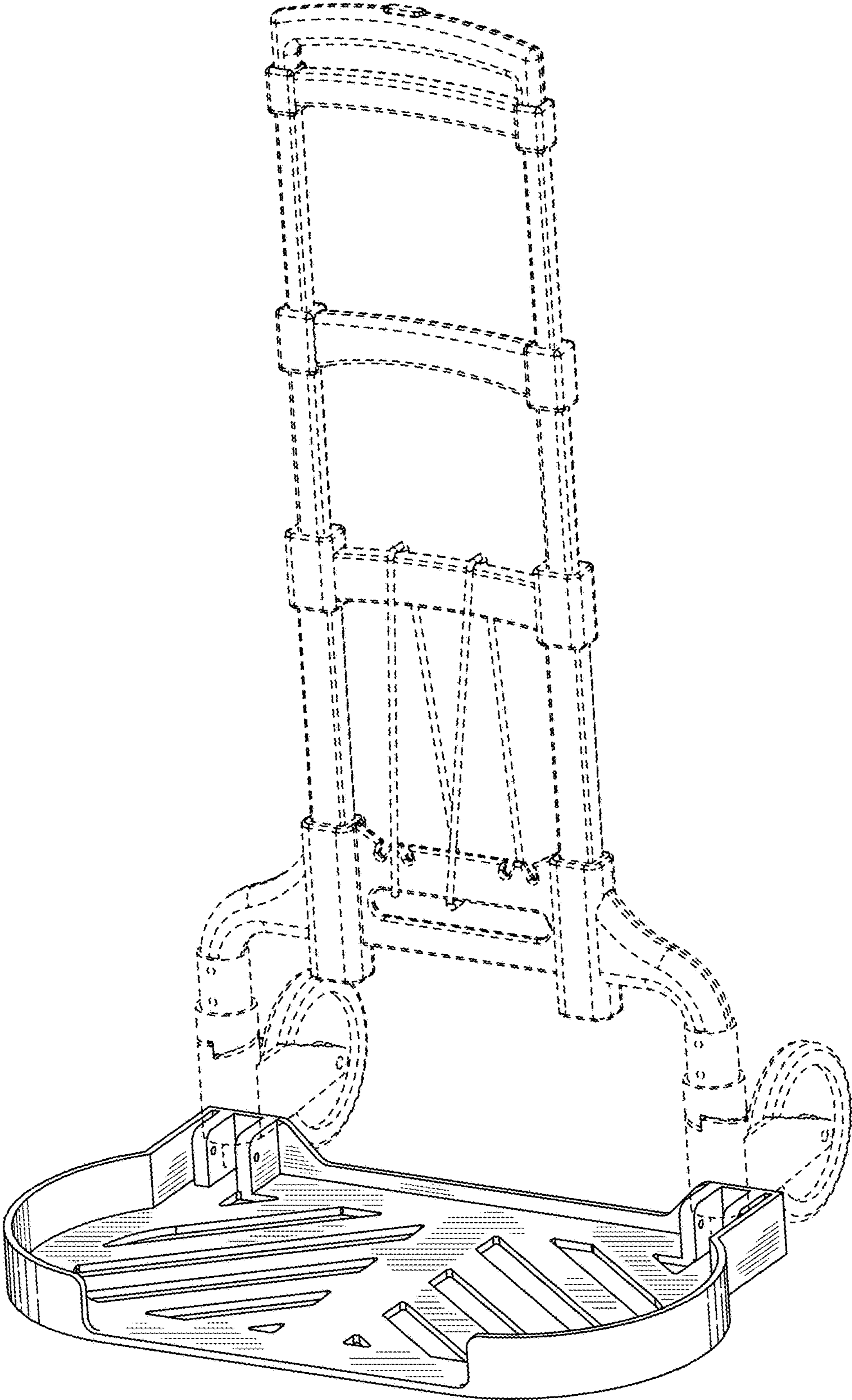


FIG. 1



FIG. 2



FIG. 3



FIG. 4

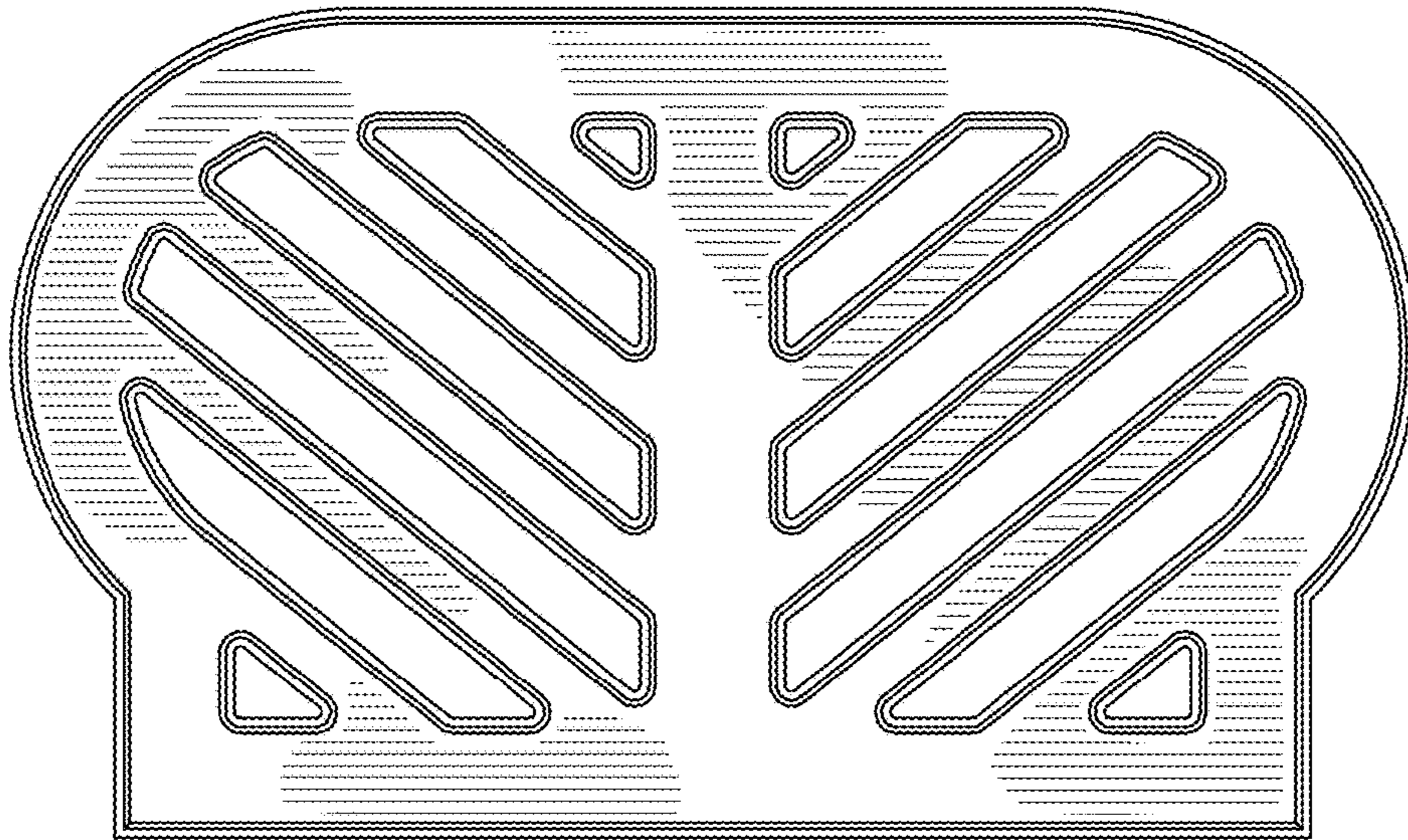


FIG. 5

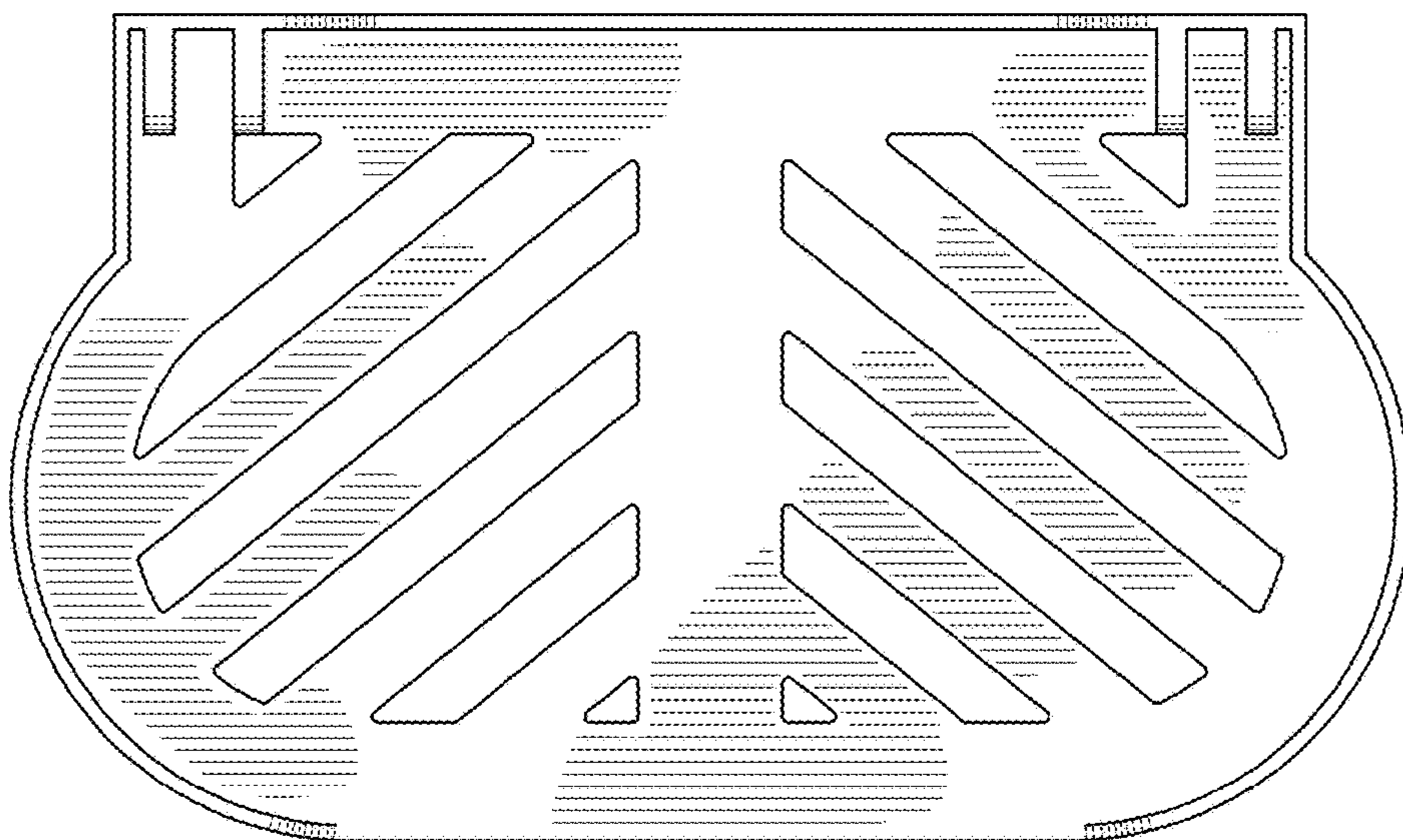


FIG. 6