



US00D780397S

(12) **United States Design Patent** (10) **Patent No.:** **US D780,397 S**
Nicoll et al. (45) **Date of Patent:** **** Feb. 28, 2017**

(54) **CART**
(71) Applicant: **NewAge Products, Inc.**, Vaughan (CA)
(72) Inventors: **David Wesley Nicoll**, Mississauga (CA); **Robert Vandenharm**, North York (CA); **Parag Shah**, Toronto (CA); **Frank Spano**, Toronto (CA); **Edward Reyes**, Maple (CA)

D258,478 S 3/1981 Zola
4,592,603 A 6/1986 Adams et al.
D301,652 S * 6/1989 Roberts D34/21
D322,185 S 12/1991 McInnis
D331,334 S 12/1992 Hollington
5,184,886 A 2/1993 Handley et al.
D347,341 S 5/1994 Handley et al.
D378,454 S 3/1997 Miller et al.

(Continued)

FOREIGN PATENT DOCUMENTS

(73) Assignee: **NEWAGE PRODUCTS, INC.**,
Vaughan, Ontario (CA)

CN 202932390 U 5/2013
CN 203328249 U 12/2013

(**) Term: **15 Years**

OTHER PUBLICATIONS

(21) Appl. No.: **29/551,859**

English language abstract for CN 202932390 extracted from
espacenet.com database on Feb. 8, 2016, 1 page.

(22) Filed: **Jan. 18, 2016**

(Continued)

(51) **LOC (10) Cl.** **12-02**

(52) **U.S. Cl.**
USPC **D34/21**

(58) **Field of Classification Search**
USPC D34/12-27; 280/79.3, 79.1, 79.2;
D7/339; D6/683.1
CPC B62B 3/02; B62B 1/12; B62B 2202/67
See application file for complete search history.

Primary Examiner — Cynthia Ramirez
(74) *Attorney, Agent, or Firm* — Howard & Howard
Attorneys PLLC

(57) **CLAIM**

The ornamental design for a cart, as shown and described.

DESCRIPTION

(56) **References Cited**

U.S. PATENT DOCUMENTS

1,527,531 A 2/1925 Topazzi
2,449,433 A 9/1948 Wheelock
2,521,765 A 9/1950 White
2,725,274 A 11/1955 Stivale
3,471,947 A 10/1969 Genser
3,993,376 A 11/1976 Meldahl
D245,619 S 8/1977 Robinson
4,054,338 A 10/1977 Martin

FIG. 1 is a perspective view of a cart showing our new design.

FIG. 2 is a front elevational view of the cart of FIG. 1.

FIG. 3 is rear elevational view of the cart of FIG. 1.

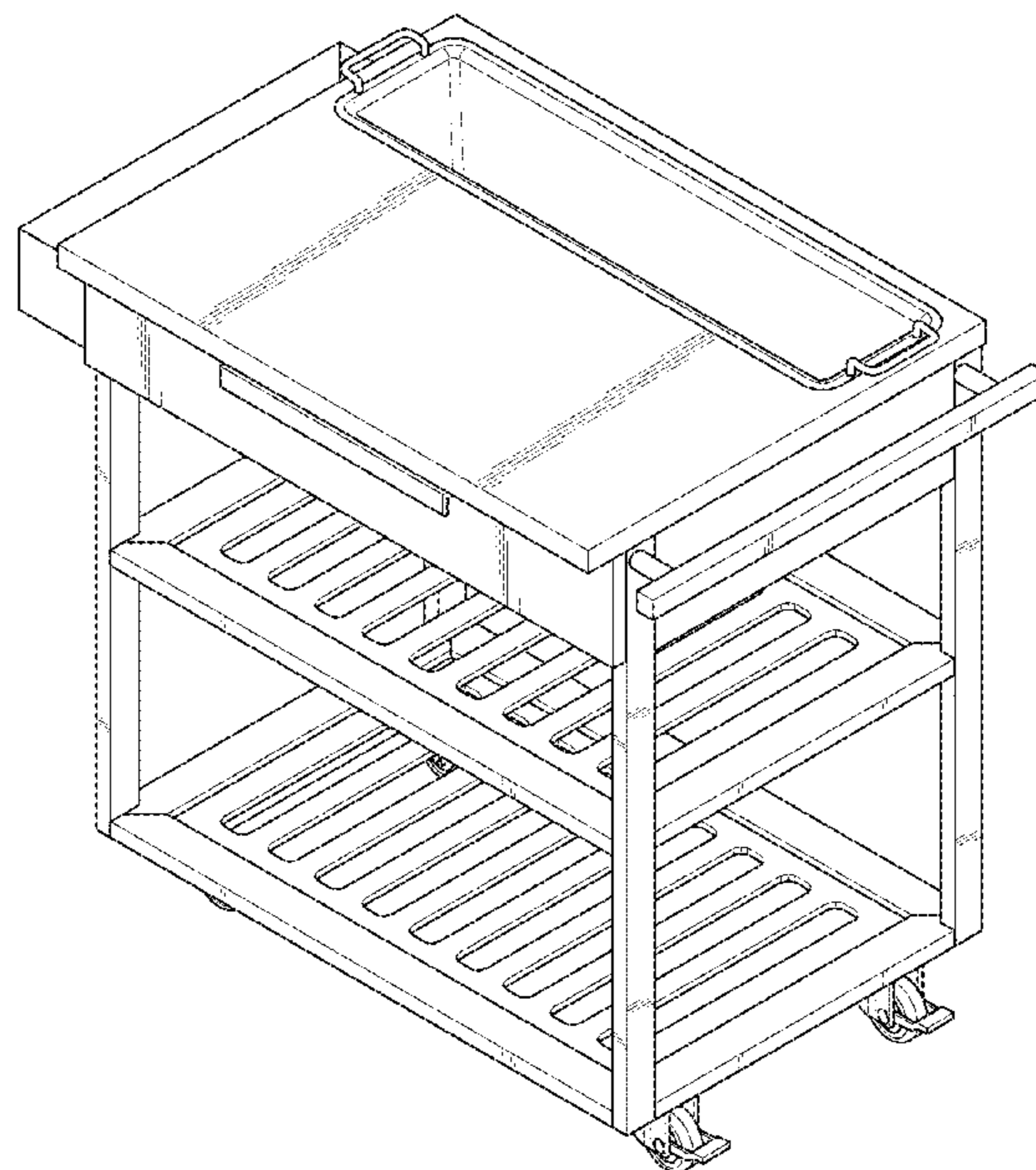
FIG. 4 is a left side elevational view of the cart of FIG. 1.

FIG. 5 is a right side elevational view of the cart of FIG. 1.

FIG. 6 is top plan view of the cart of FIG. 1; and,

FIG. 7 is a bottom plan view of the cart of FIG. 1.

1 Claim, 4 Drawing Sheets



(56)

References Cited

U.S. PATENT DOCUMENTS

D386,917 S 12/1997 Blevio
 5,873,643 A 2/1999 Burgess, Jr. et al.
 D408,538 S 4/1999 Simpkins et al.
 D440,427 S 4/2001 Melillo
 D440,428 S 4/2001 Melillo
 D446,408 S 8/2001 Mathieu et al.
 D463,682 S 10/2002 Ma et al.
 D491,744 S 6/2004 Harwanko
 7,111,852 B2 9/2006 Woods et al.
 7,207,636 B2 4/2007 Livingston et al.
 D542,056 S 5/2007 Puente et al.
 D554,323 S * 10/2007 Roth D34/12
 D558,483 S 1/2008 Bertch et al.
 D562,597 S 2/2008 Weatherly
 D586,585 S 2/2009 Hynes
 D618,420 S * 6/2010 Perelli D34/17
 D640,436 S * 6/2011 Perelli D34/17
 D671,769 S 12/2012 Olson
 D672,989 S 12/2012 McManic et al.
 D675,394 S * 1/2013 Pedersen D34/17
 D677,074 S 3/2013 Olson
 D709,720 S * 7/2014 Stanavich D6/683.1
 D747,911 S * 1/2016 Sheppard D34/14
 D748,359 S * 1/2016 Lustig D34/21
 D750,861 S * 3/2016 Alletto, Jr. D34/21
 2002/0078865 A1 6/2002 Kuvshnikov
 2004/0066012 A1 * 4/2004 Choi B62B 3/02
 280/47.35

2005/0062246 A1* 3/2005 Kang A47B 31/00
 280/47.35
 2014/0132129 A1 5/2014 Deneweth et al.
 2014/0217690 A1* 8/2014 Schumaker B62B 3/005
 280/47.35

OTHER PUBLICATIONS

English language abstract and computer-generated English language translation for CN 203328249 extracted from espacenet.com database on Feb. 8, 2016, 5 pages.
 Cabinet Pro Inc. Kitchen and Bath Remodeling, Image of Wine Kitchen Cabinet, www.cabinet-pro.com/other_gallery.php, downloaded Dec. 12, 2014, 1 page.
 Don's Custom Cabinets, Image of Wine Bar, www.cabinetsman.com/bargallery.html, downloaded Dec. 12, 2014, 1 page.
 Howard Miller, Image of Belle Isle Wine & Bar Cabinet, www.familyleisure.com/wine-spirits-cabinets/belle-isle-wine-bar-cabinet, downloaded Dec. 12, 2014, 1 page.
 Idecorsz, Image of Modular Kitchen Cabinets, www.idecorsz.com/modular-kitchen-modular-kitchen-cabinets-best-decorating.html, downloaded Dec. 12, 2014, 1 page.
 Ikeahackers, Image of Wine Cabinet, www.ikeahackers.net/2013/04/bar-cabinet-from-wall-cabinets.html, downloaded Apr. 18, 2013, 1 page.
 Imgarcade, Image of Wine Kitchen Cabinet, www.imgarcade.com/1/wine-kitchen-cabinet/, downloaded Dec. 12, 2014, 1 page.

* cited by examiner

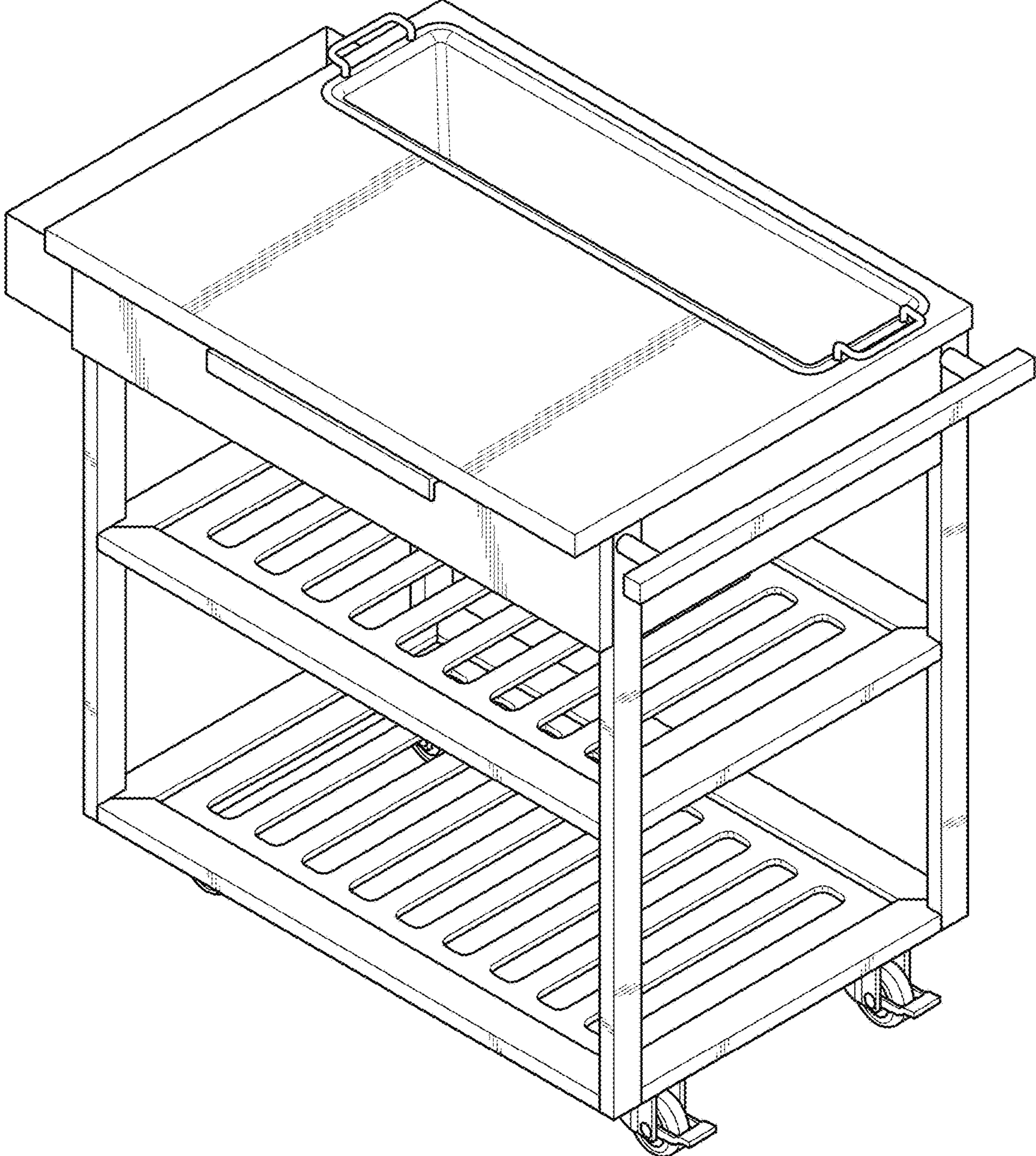


FIG. 1

FIG. 2

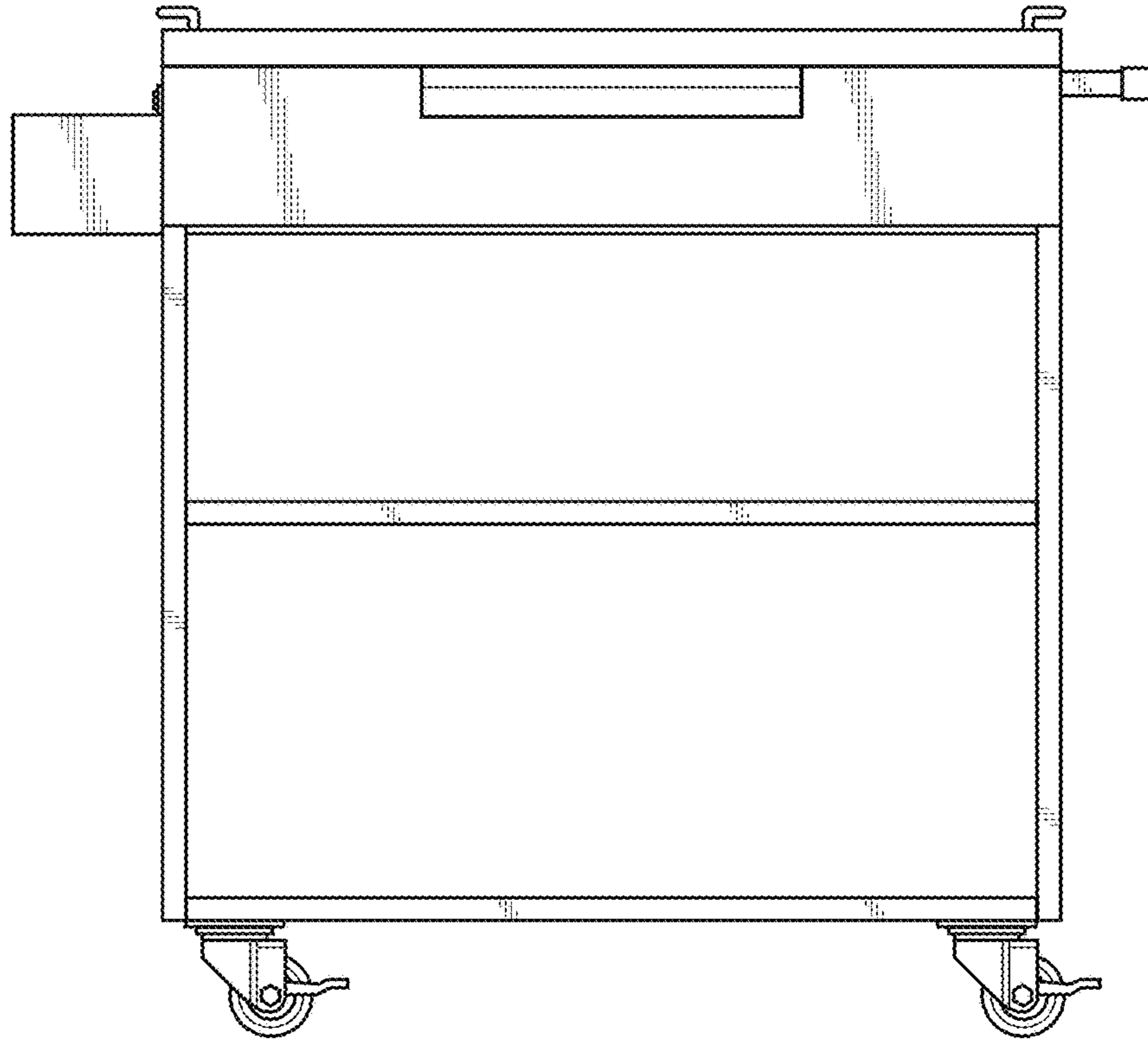


FIG. 3

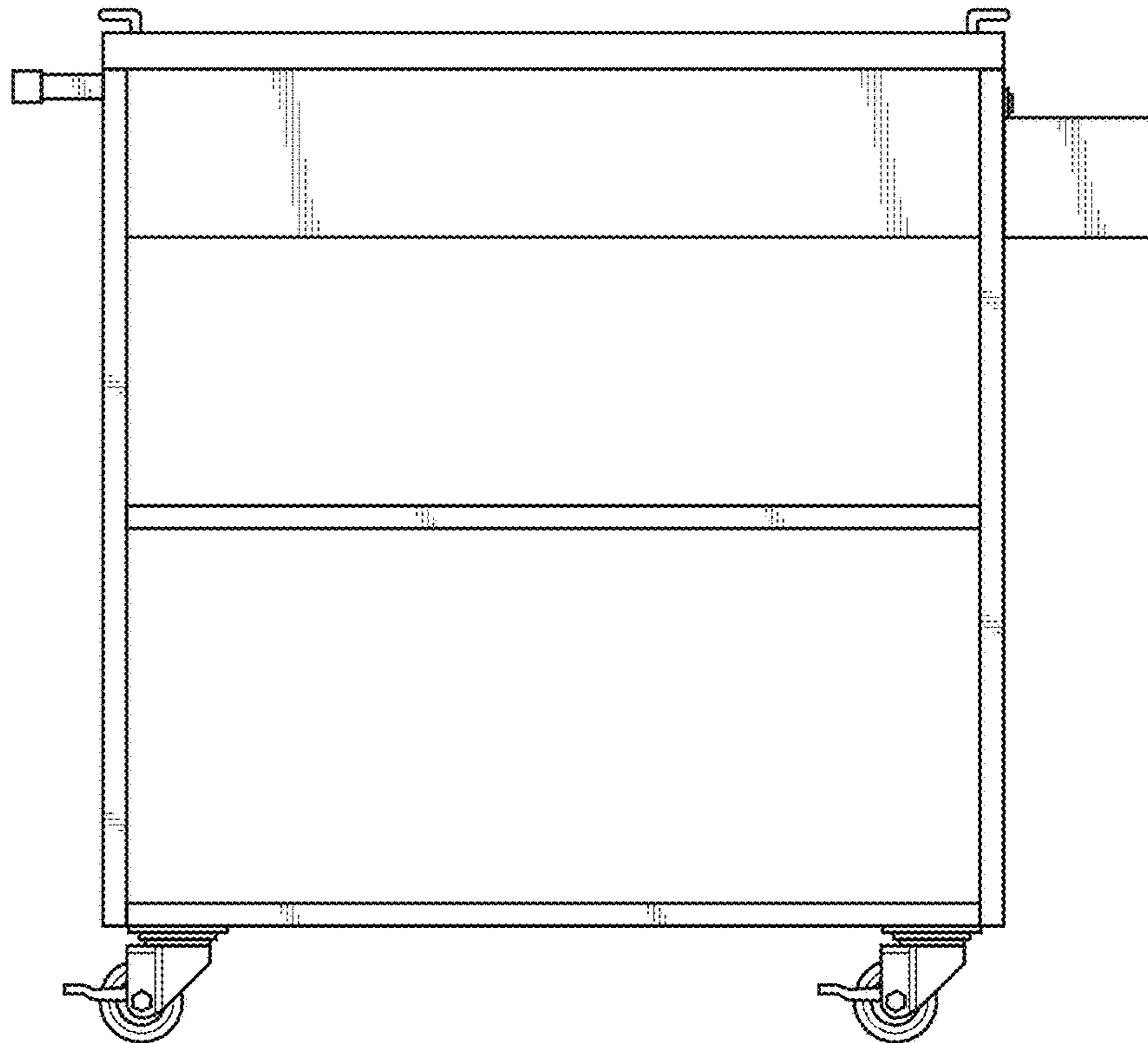


FIG. 4

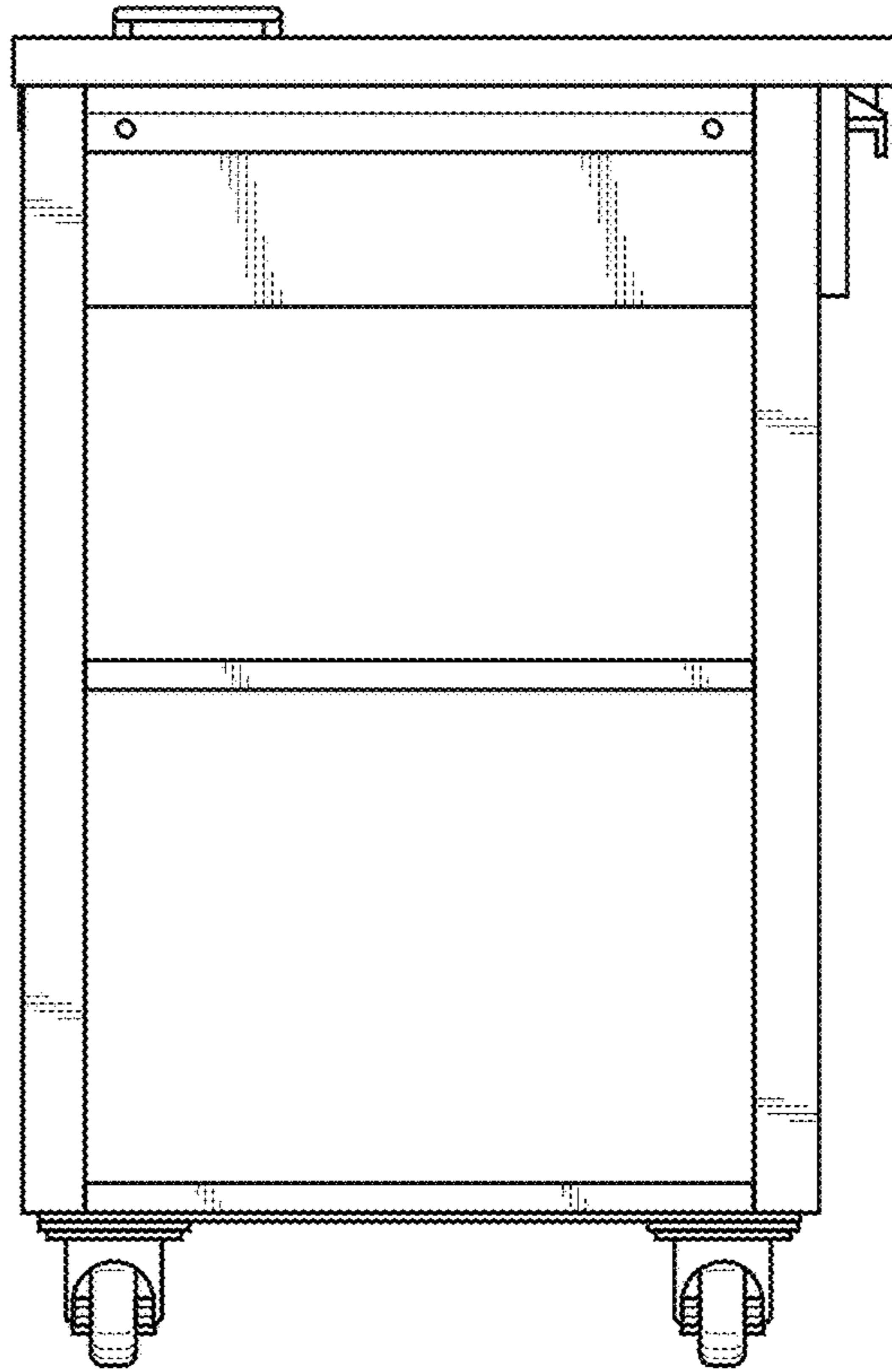
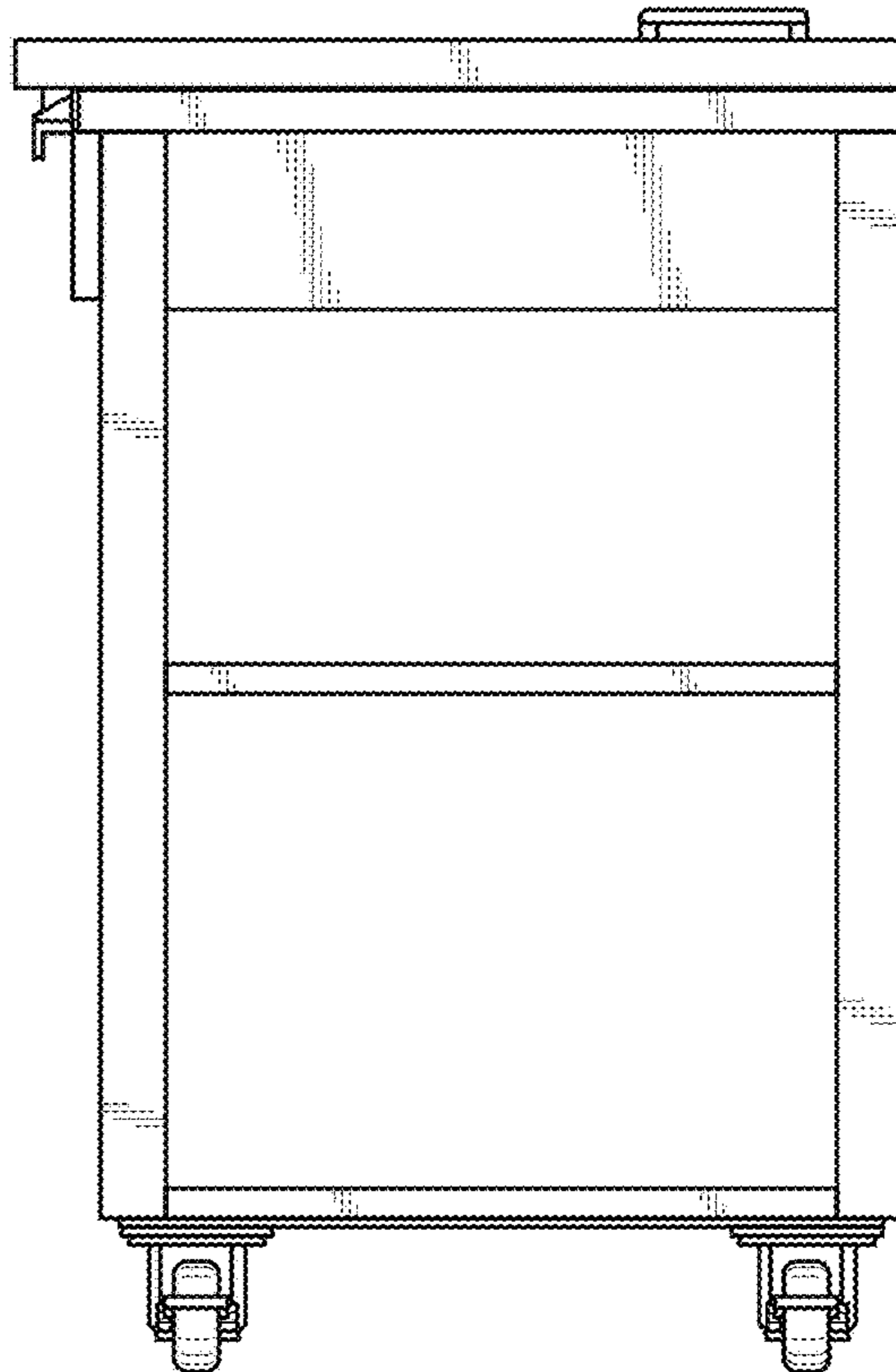


FIG. 5



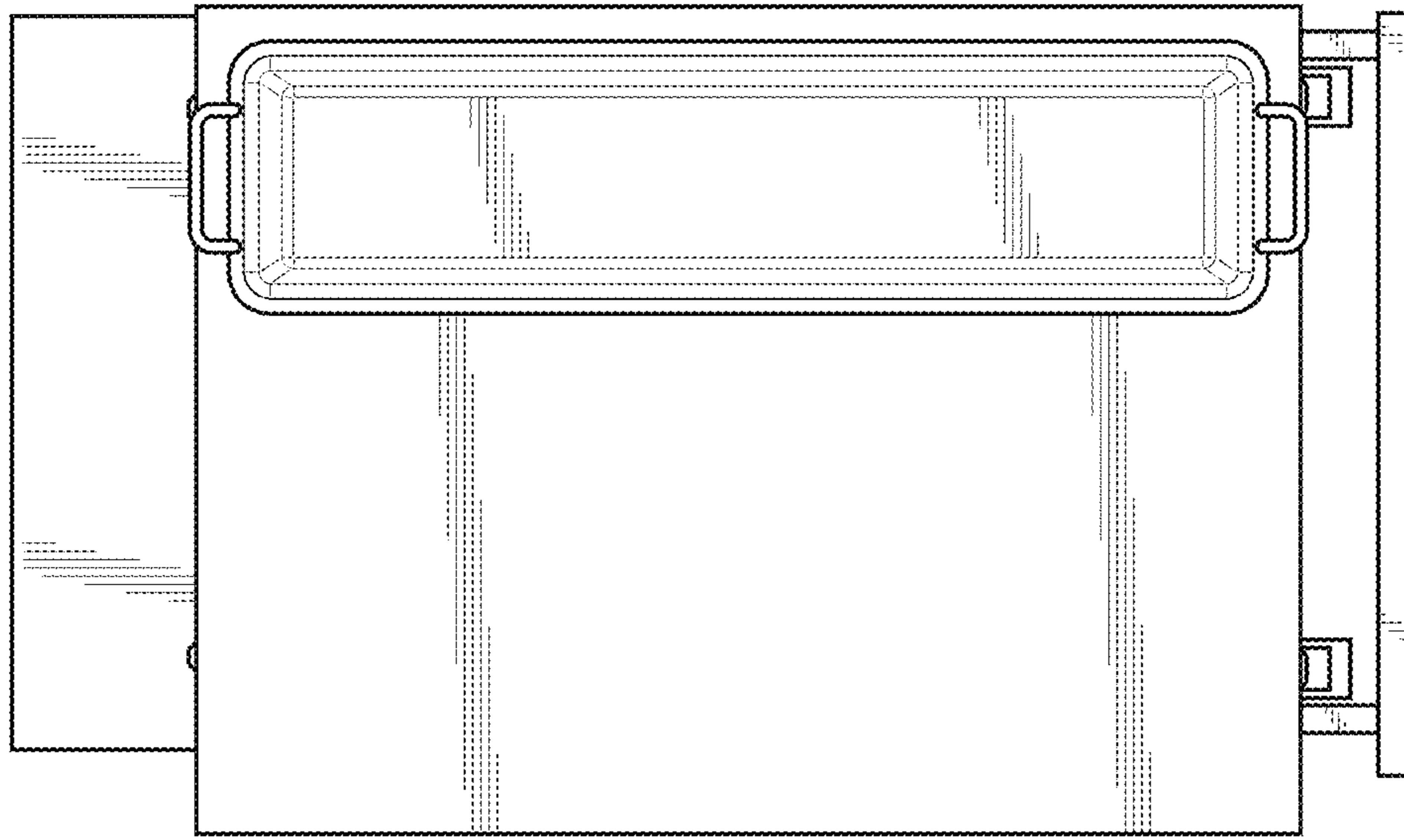


FIG. 6

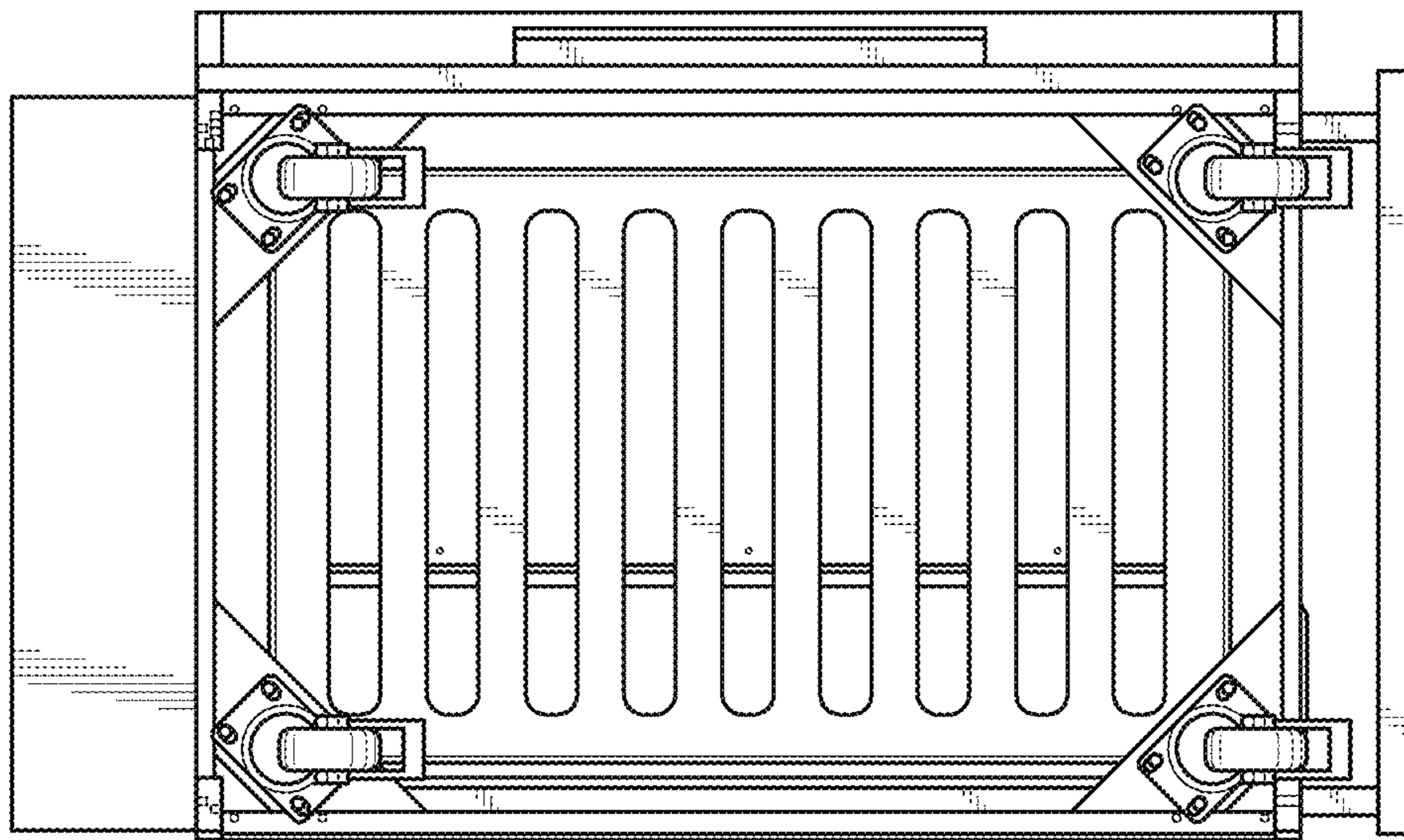


FIG. 7