



US00D780396S

(12) **United States Design Patent**  
**Matsuda**

(10) **Patent No.:** **US D780,396 S**

(45) **Date of Patent:** **\*\* Feb. 28, 2017**

(54) **WELDING CART**

(71) Applicant: **KKU, INC.**, Tokyo (JP)

(72) Inventor: **Haruhiro Matsuda**, Hiratsuka (JP)

(73) Assignee: **KKU, INC.**, Tokyo (JP)

(\*\*) Term: **14 Years**

(21) Appl. No.: **29/520,684**

(22) Filed: **Mar. 17, 2015**

(51) **LOC (10) Cl.** ..... **12-02**

(52) **U.S. Cl.**  
USPC ..... **D34/17**

(58) **Field of Classification Search**  
USPC ..... D34/12-27; 280/47.35, 79.3; 211/85.18;  
206/446

CPC .. B62B 3/02; B62B 3/10; B62B 3/006; B62B  
3/002

See application file for complete search history.

(56) **References Cited**

**U.S. PATENT DOCUMENTS**

|               |         |           |                       |
|---------------|---------|-----------|-----------------------|
| D142,525 S *  | 10/1945 | Myers     | 312/278               |
| D145,897 S *  | 11/1946 | Hathaway  | 126/25 R              |
| D147,979 S *  | 11/1947 | Jones     | 211/135               |
| D212,747 S *  | 11/1968 | Price     | D24/234               |
| D217,714 S *  | 6/1970  | Solsgiver | D34/21                |
| D234,078 S *  | 1/1975  | Emanuele  | D34/20                |
| 5,176,265 A * | 1/1993  | Bennett   | A47F 7/28<br>108/55.5 |

|              |         |            |         |
|--------------|---------|------------|---------|
| D350,758 S * | 9/1994  | McLaughlin | D15/199 |
| D423,817 S * | 5/2000  | Holcomb    | D34/21  |
| D636,815 S * | 4/2011  | Prather    | D19/59  |
| D665,397 S * | 8/2012  | Naranjo    | D14/486 |
| D671,703 S * | 11/2012 | Guasta     | D34/19  |

\* cited by examiner

*Primary Examiner* — Cynthia Ramirez

(74) *Attorney, Agent, or Firm* — J. Bennett Mullinax, LLC

(57) **CLAIM**

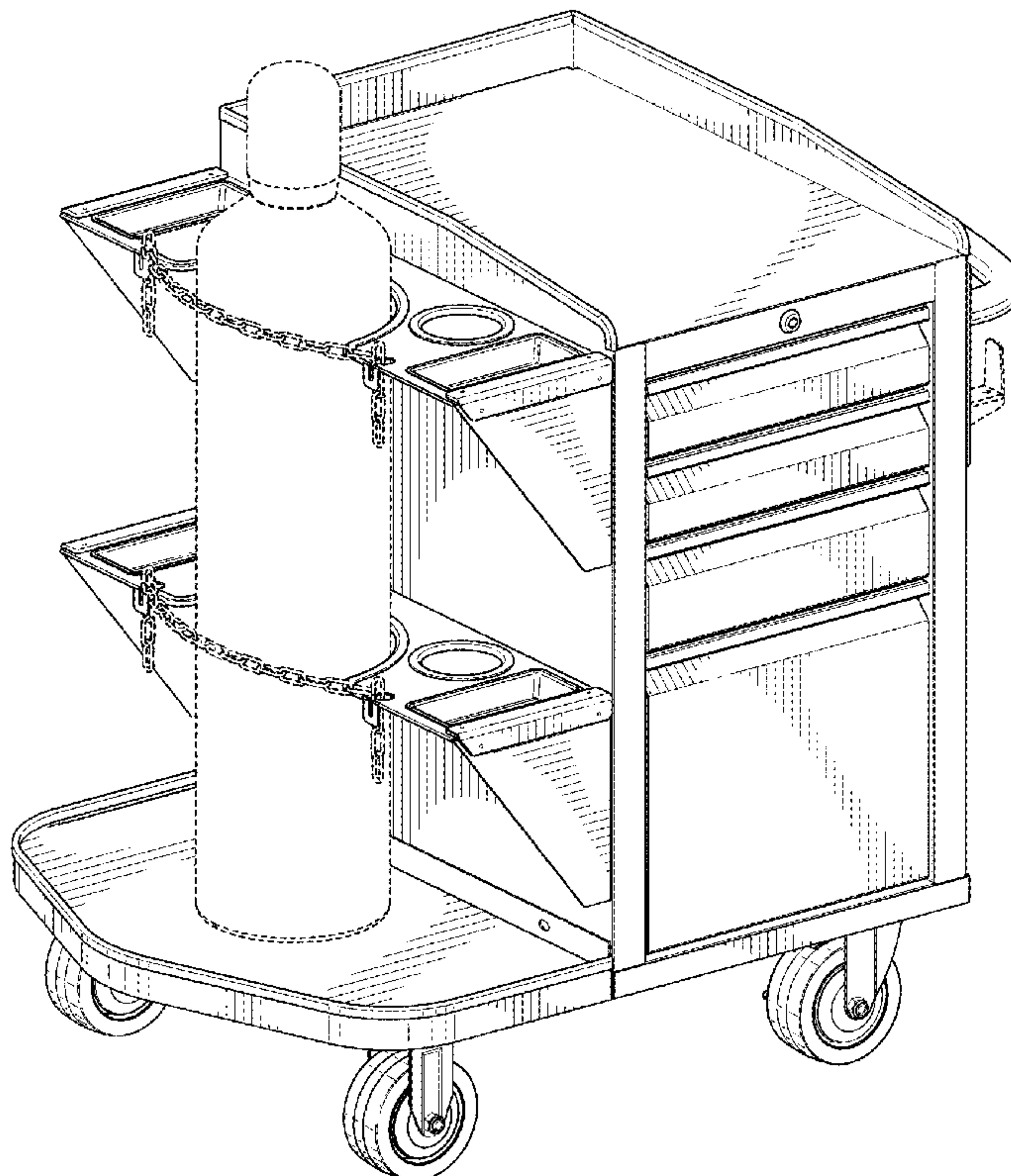
The ornamental design for a welding cart, as shown and described.

**DESCRIPTION**

FIG. 1 is a front, top perspective view of a welding cart showing my new design;  
 FIG. 2 is another perspective view thereof;  
 FIG. 3 is another perspective view thereof;  
 FIG. 3 is a right side elevational view thereof;  
 FIG. 4 is a left side elevational view thereof;  
 FIG. 5 is a top plan view thereof;  
 FIG. 6 is a bottom plan view thereof;  
 FIG. 7 is a front elevational view thereof; and,  
 FIG. 8 is a rear elevational view thereof.

The broken lines shown in the figures are included for the purpose of illustrating environment and form no part of the claimed design.

**1 Claim, 8 Drawing Sheets**



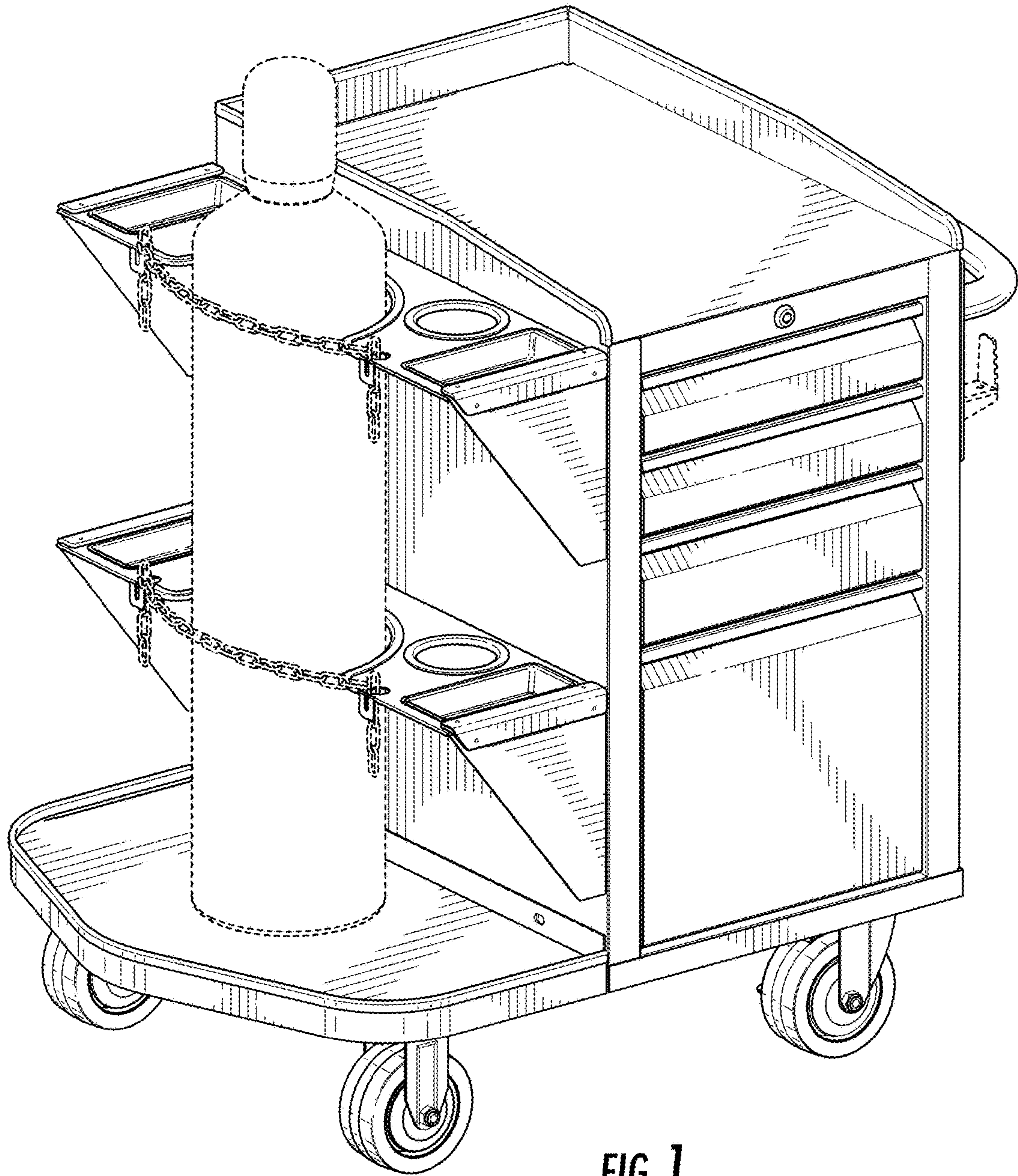


FIG. 1



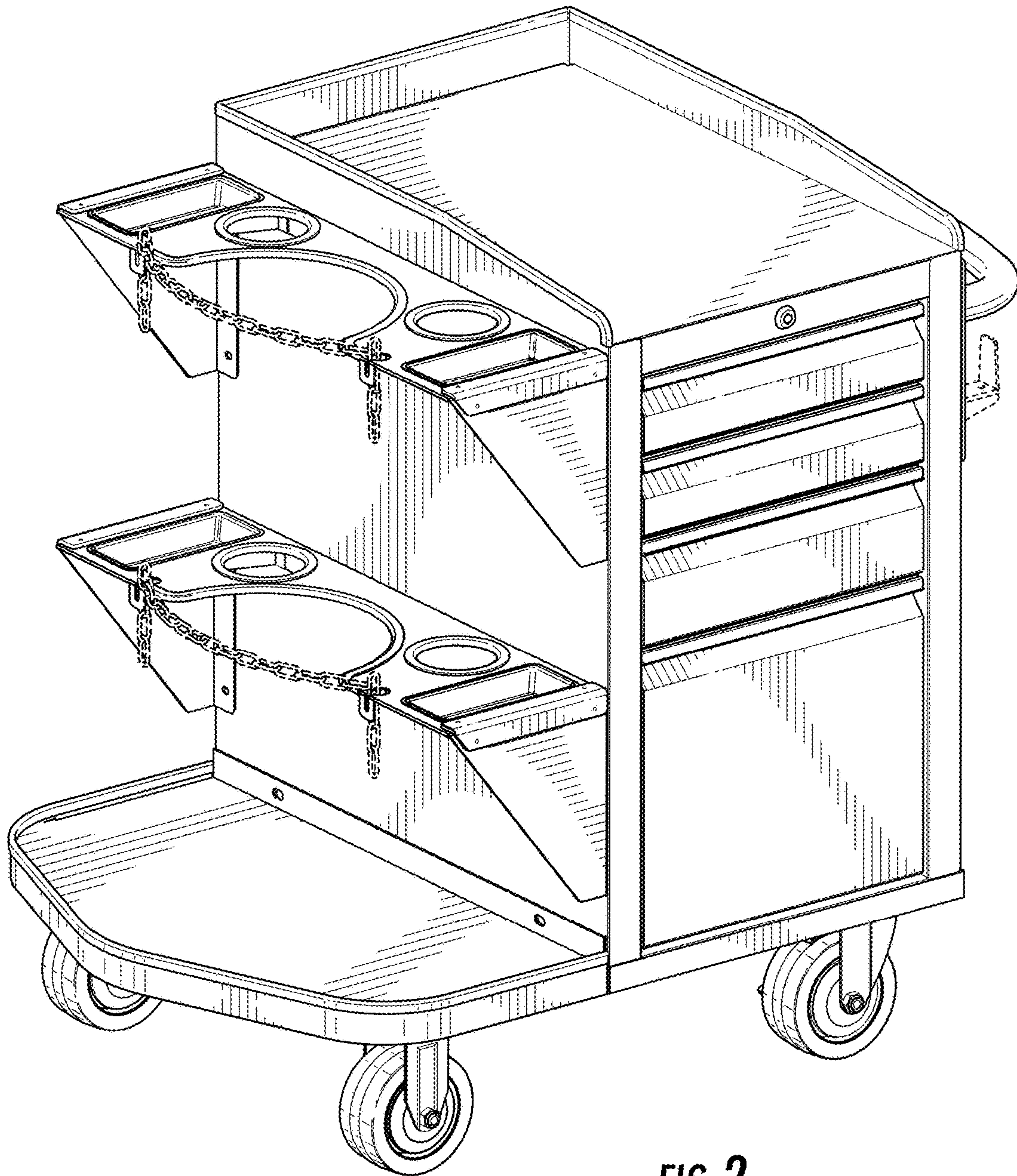


FIG. 2

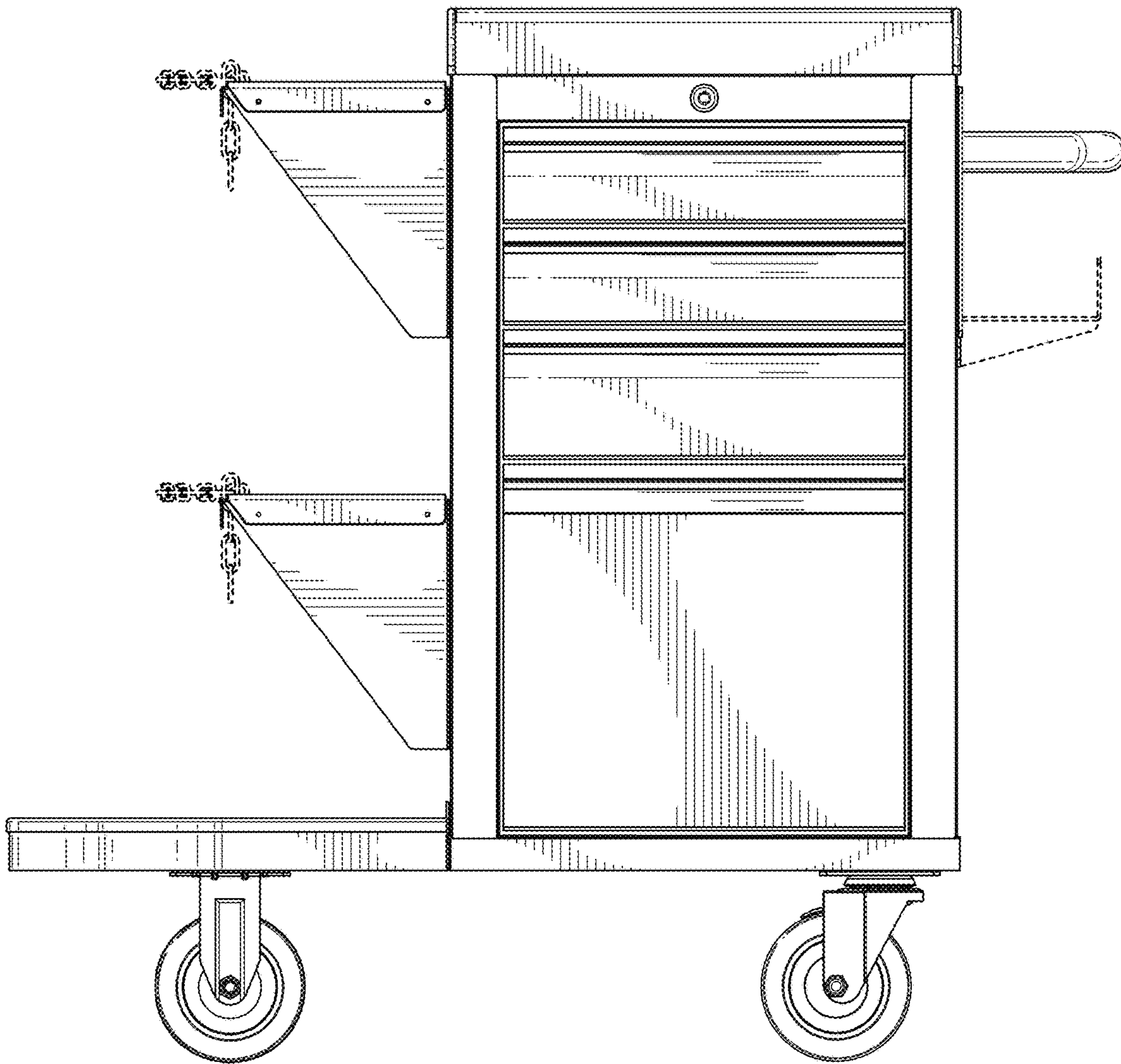


FIG. 3

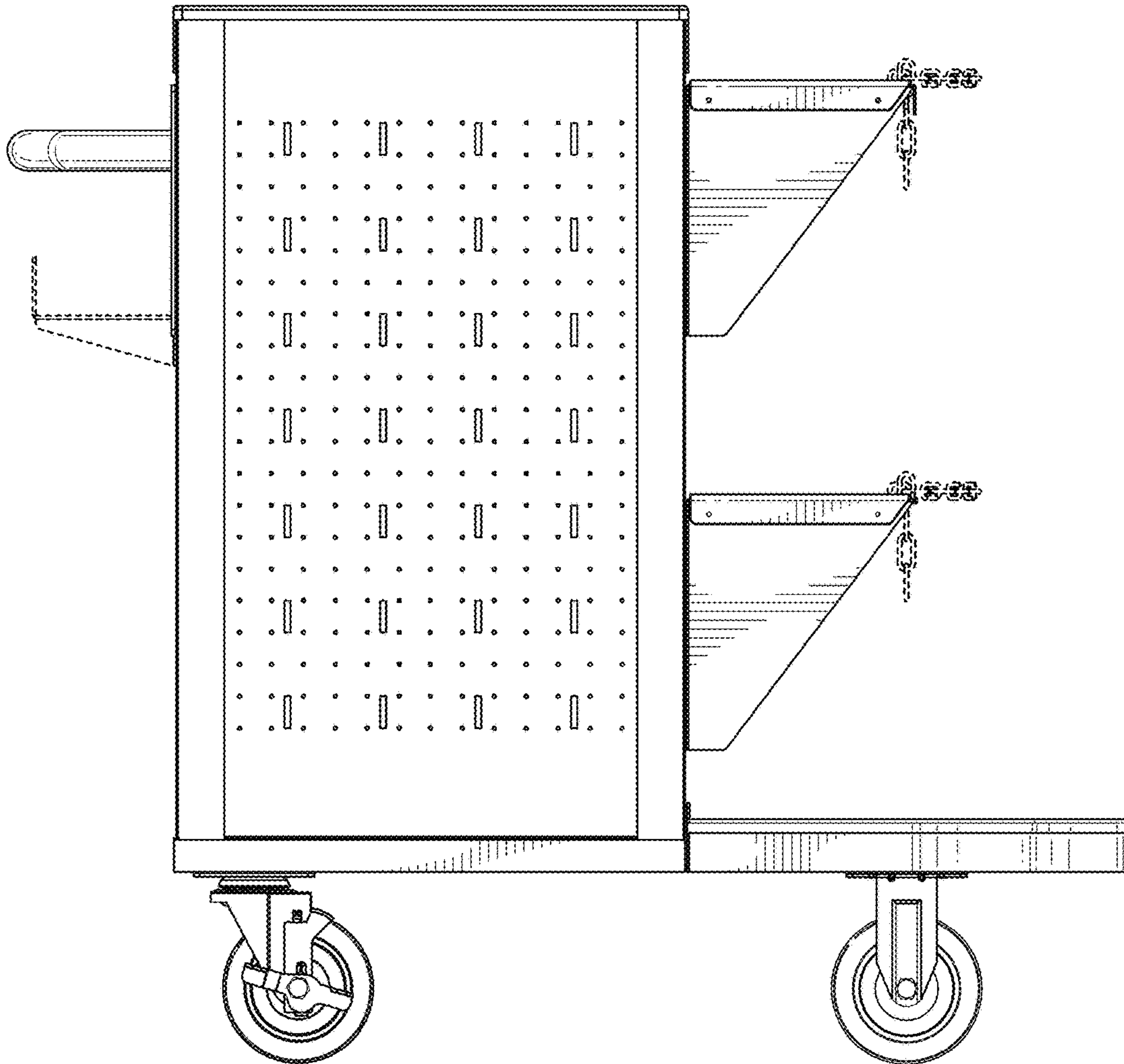


FIG. 4



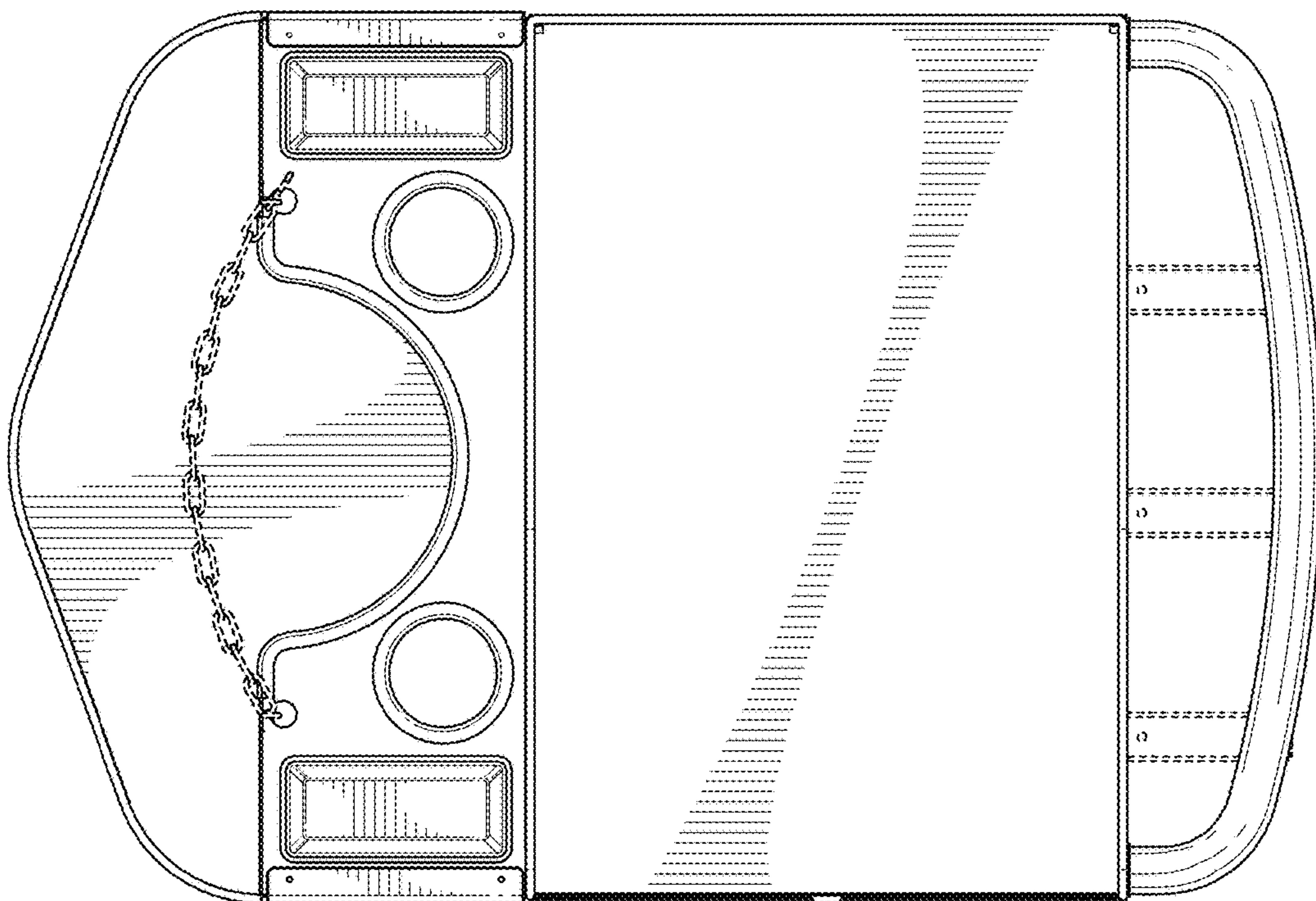


FIG. 5

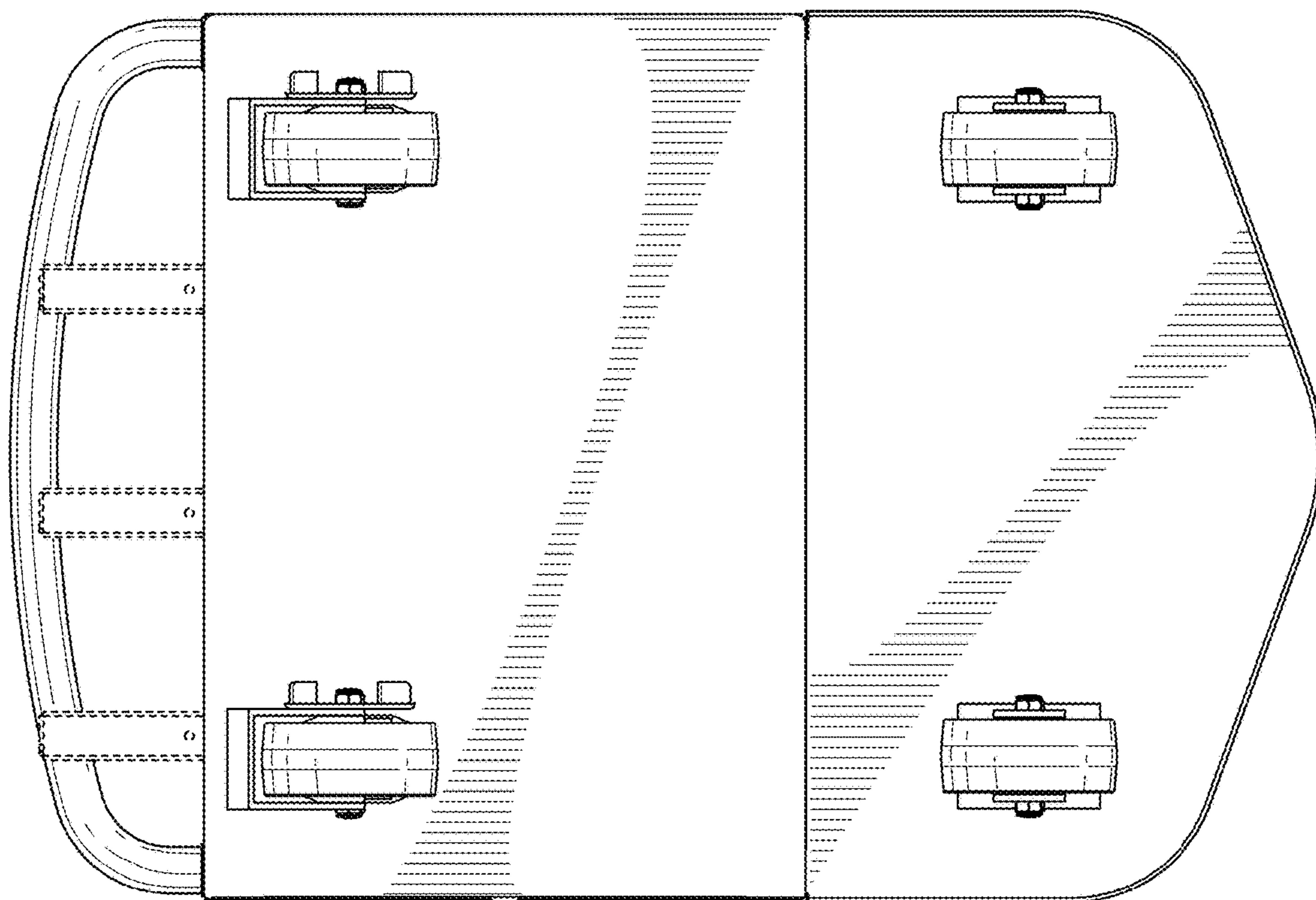


FIG. 6

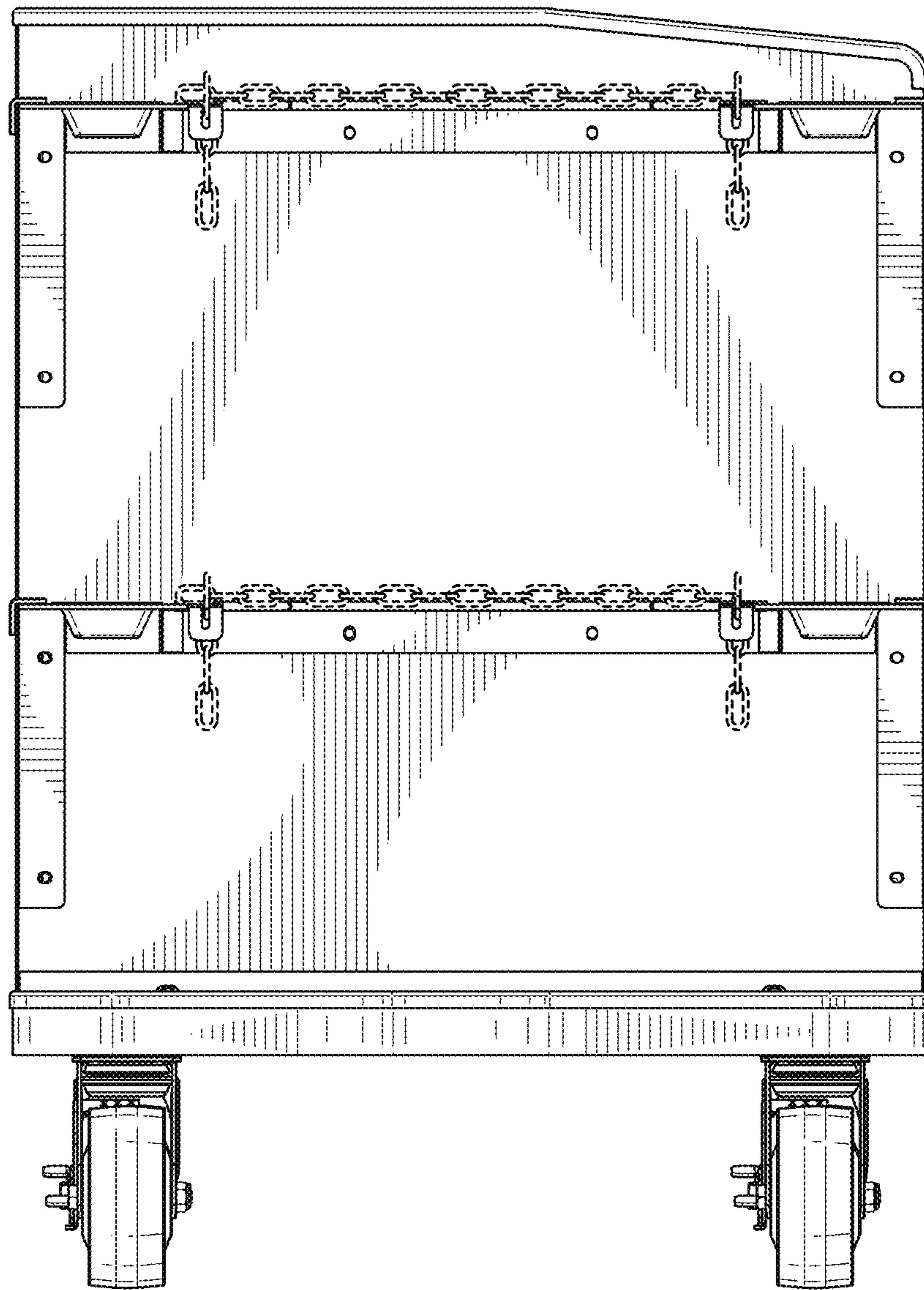


FIG. 7



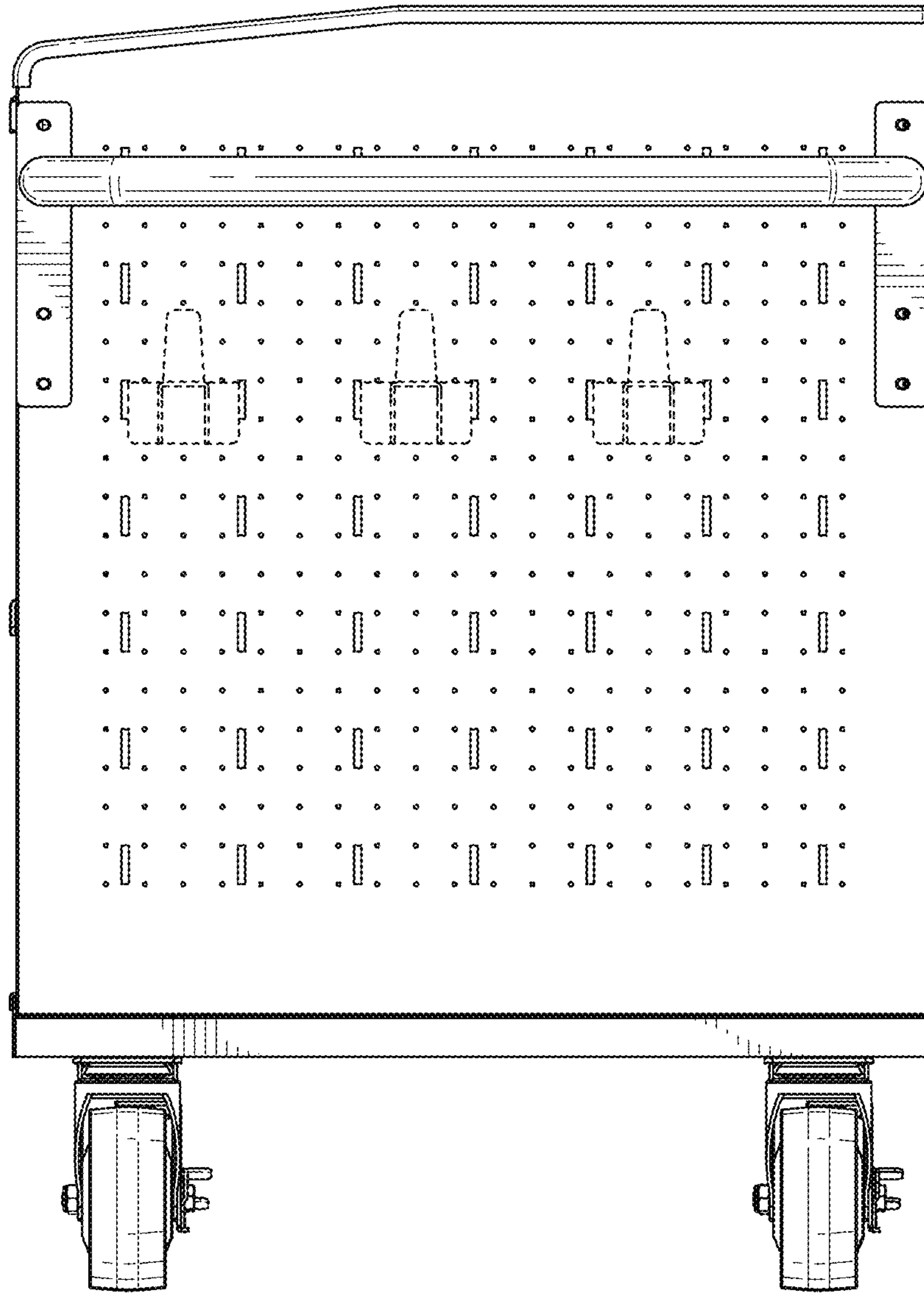


FIG. 8