



US00D780395S

(12) **United States Design Patent** (10) **Patent No.:** **US D780,395 S**  
**Stravitz** (45) **Date of Patent:** **\*\* Feb. 28, 2017**

(54) **WASTE CONTAINER**  
(71) Applicant: **David M Stravitz**, New York, NY (US)  
(72) Inventor: **David M Stravitz**, New York, NY (US)  
(\*\*) Term: **15 Years**  
(21) Appl. No.: **29/558,503**  
(22) Filed: **Mar. 18, 2016**  
(51) **LOC (10) Cl.** ..... **09-09**  
(52) **U.S. Cl.**  
USPC ..... **D34/7**  
(58) **Field of Classification Search**  
USPC ..... D34/1, 5-11; 220/908, 908.1, 495.08,  
220/263, 264  
CPC ..... B65F 1/163; B65F 1/08; B65F 1/06;  
B65F 1/1607; B65F 1/14; B65F 1/1615;  
B65F 1/062; B65F 1/068  
See application file for complete search history.

7,114,314 B2 10/2006 Stravitz  
7,146,785 B2 12/2006 Stravitz  
7,225,943 B2 6/2007 Yang et al.  
D559,494 S \* 1/2008 Yang ..... D34/7  
(Continued)

*Primary Examiner* — Cynthia Ramirez  
(74) *Attorney, Agent, or Firm* — Brian Roffe

(57) **CLAIM**

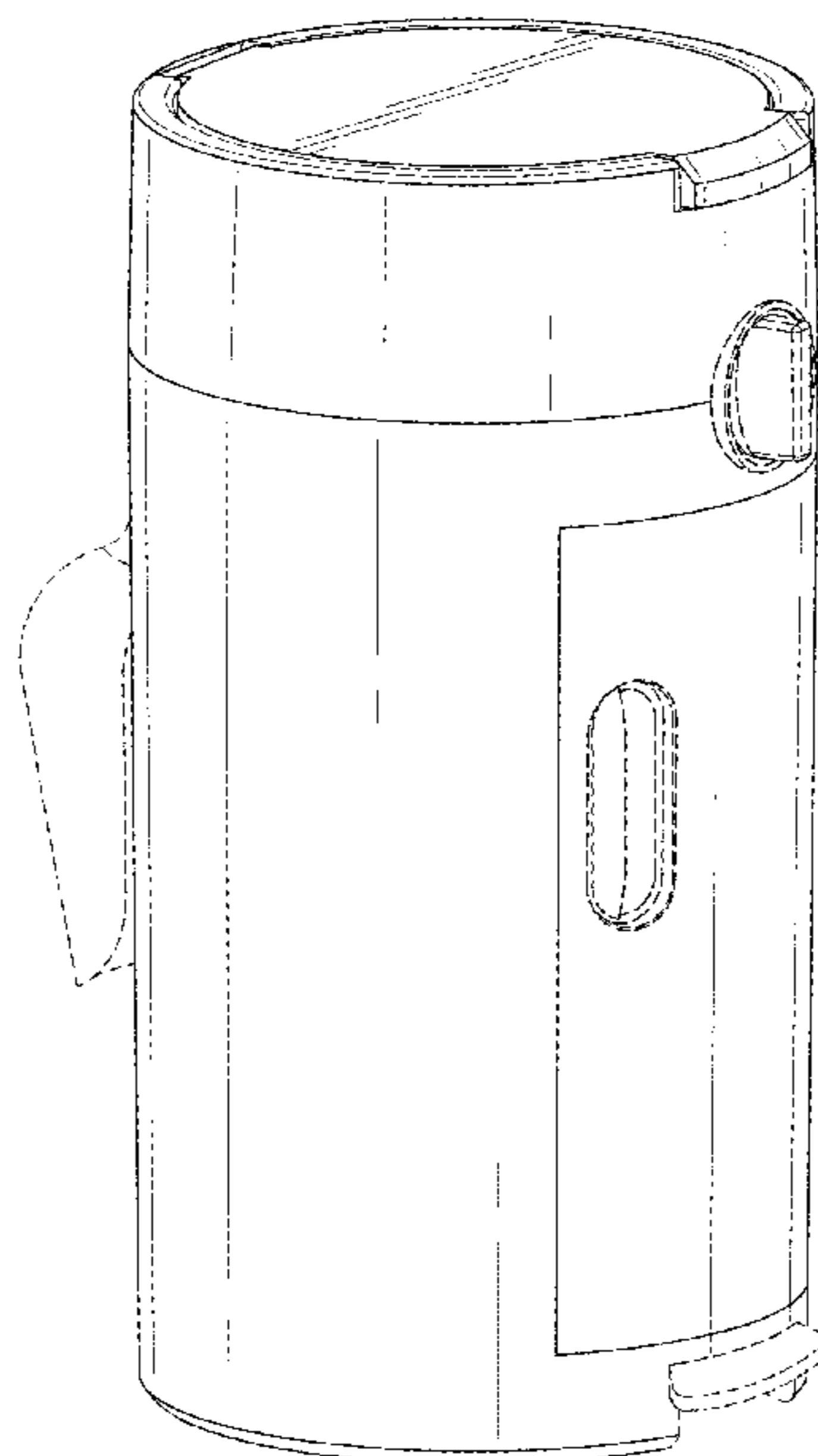
The ornamental design for a waste container, as shown and described.

**DESCRIPTION**

FIG. 1 is a perspective view of a first embodiment of a waste container showing my new design;  
FIG. 2 is a front view thereof;  
FIG. 3 is a rear view thereof;  
FIG. 4 is a top view thereof;  
FIG. 5 is a bottom view thereof;  
FIG. 6 is a left side view thereof;  
FIG. 7 is a right side view thereof;  
FIG. 8 is a perspective view of a second embodiment of a waste container showing my new design;  
FIG. 9 is a front view thereof;  
FIG. 10 is a rear view thereof;  
FIG. 11 is a top view thereof;  
FIG. 12 is a bottom view thereof;  
FIG. 13 is a left side view thereof; and,  
FIG. 14 is a right side view thereof.  
The scoop shown in broken lines in some figures is included for the purpose of illustrating environment and forms no part of the claimed design.  
The broken lines showing a knob, a pedal and an opening in the door in the figures are included to show portions of the waste container and form no part of the claimed design.

(56) **References Cited**  
U.S. PATENT DOCUMENTS  
1,719,185 A 7/1929 Lowy  
2,434,238 A 1/1948 Wolfson  
2,793,373 A 5/1957 Ewing  
3,214,065 A 10/1965 Thornton  
4,427,110 A 1/1984 Shaw, Jr.  
4,902,482 A 2/1990 Faust  
5,174,462 A 12/1992 Hames  
D334,975 S 4/1993 Bunce et al.  
5,520,303 A 5/1996 Bernstein et al.  
5,988,520 A 11/1999 Bitner  
6,540,103 B2 4/2003 Silvers  
6,612,099 B2 9/2003 Stravitz  
6,804,930 B2 10/2004 Stravitz  
6,851,251 B2 2/2005 Stravitz  
6,904,867 B2 6/2005 Zamjahn  
6,974,029 B2 12/2005 Morand et al.  
7,086,569 B2 8/2006 Stravitz

**1 Claim, 8 Drawing Sheets**



(56)

References Cited

U.S. PATENT DOCUMENTS

7,316,100 B2	1/2008	Stravitz et al.	8,635,838 B2	1/2014	Dunn et al.
D567,466 S *	4/2008	Lee ..... D34/7	8,647,587 B2	2/2014	Dunn et al.
7,406,814 B2	8/2008	Morand	8,657,139 B1	2/2014	Bodine
7,434,377 B2	10/2008	Stravitz et al.	8,690,017 B2	4/2014	Dunn et al.
D586,066 S *	2/2009	Lin ..... D34/7	8,739,501 B2	6/2014	Dunn et al.
7,503,152 B2	3/2009	Stravitz et al.	8,833,592 B2	9/2014	Dunn et al.
7,503,159 B2	3/2009	Stravitz et al.	8,844,751 B2	9/2014	Sakaguchi et al.
7,516,865 B1	4/2009	Pierre	8,899,420 B2	12/2014	Morand
7,543,716 B2	6/2009	Lin	8,910,821 B1	12/2014	Stravitz
D596,364 S	7/2009	Morand	D722,735 S *	2/2015	Del Rosario Roy ..... D34/8
7,617,659 B2	11/2009	Stravitz et al.	8,959,880 B2	2/2015	Morand
7,696,711 B2	4/2010	Pollack et al.	8,973,774 B1	3/2015	Stravitz
7,708,188 B2	5/2010	Stravitz et al.	9,085,404 B2	7/2015	Dunn et al.
7,712,285 B2	5/2010	Stravitz et al.	D737,013 S *	8/2015	Beumer ..... D34/7
D619,905 S	7/2010	Dunn et al.	D739,632 S *	9/2015	Senser ..... D34/1
7,878,359 B1	2/2011	Ko	D747,060 S *	1/2016	Valderrama ..... D34/7
7,931,150 B2	4/2011	Morand	2002/0051739 A1	5/2002	Wang
D639,002 S	5/2011	Dunn et al.	2005/0082196 A1 *	4/2005	Lin ..... B65F 1/062 206/554
D639,003 S	5/2011	Dunn et al.	2008/0134644 A1	6/2008	Knuth et al.
D639,004 S	5/2011	Dunn et al.	2009/0071959 A1 *	3/2009	Cheung ..... B65F 1/163 220/263
7,963,414 B1	6/2011	Stravitz	2010/0005762 A1	1/2010	Stravitz
D645,221 S *	9/2011	Brown ..... D34/11	2011/0099945 A1 *	5/2011	Dunn ..... B65F 1/0006 53/211
D652,189 S	1/2012	Morand	2011/0099958 A1	5/2011	Dunn et al.
D653,009 S *	1/2012	Larrivee ..... D34/1	2012/0211494 A1	8/2012	Morand
D654,738 S	2/2012	Morand	2013/0048641 A1 *	2/2013	Romano ..... B65F 1/06 220/495.08
8,127,519 B2	3/2012	Stravitz	2013/0181000 A1	7/2013	Miksovsky et al.
8,215,089 B2	7/2012	Stravitz	2013/0252534 A1	9/2013	Smith
8,235,237 B1	8/2012	Stravitz	2014/0027452 A1	1/2014	Pan
8,266,871 B1	9/2012	Stravitz	2014/0042168 A1	2/2014	Dunn et al.
8,393,489 B1	3/2013	Stravitz	2015/0368041 A1 *	12/2015	Coffin ..... B65F 1/06 220/495.06
D683,099 S *	5/2013	Wright ..... D34/10			
D683,922 S *	6/2013	Huang ..... D34/9			
8,567,157 B2	10/2013	Dunn et al.			

\* cited by examiner

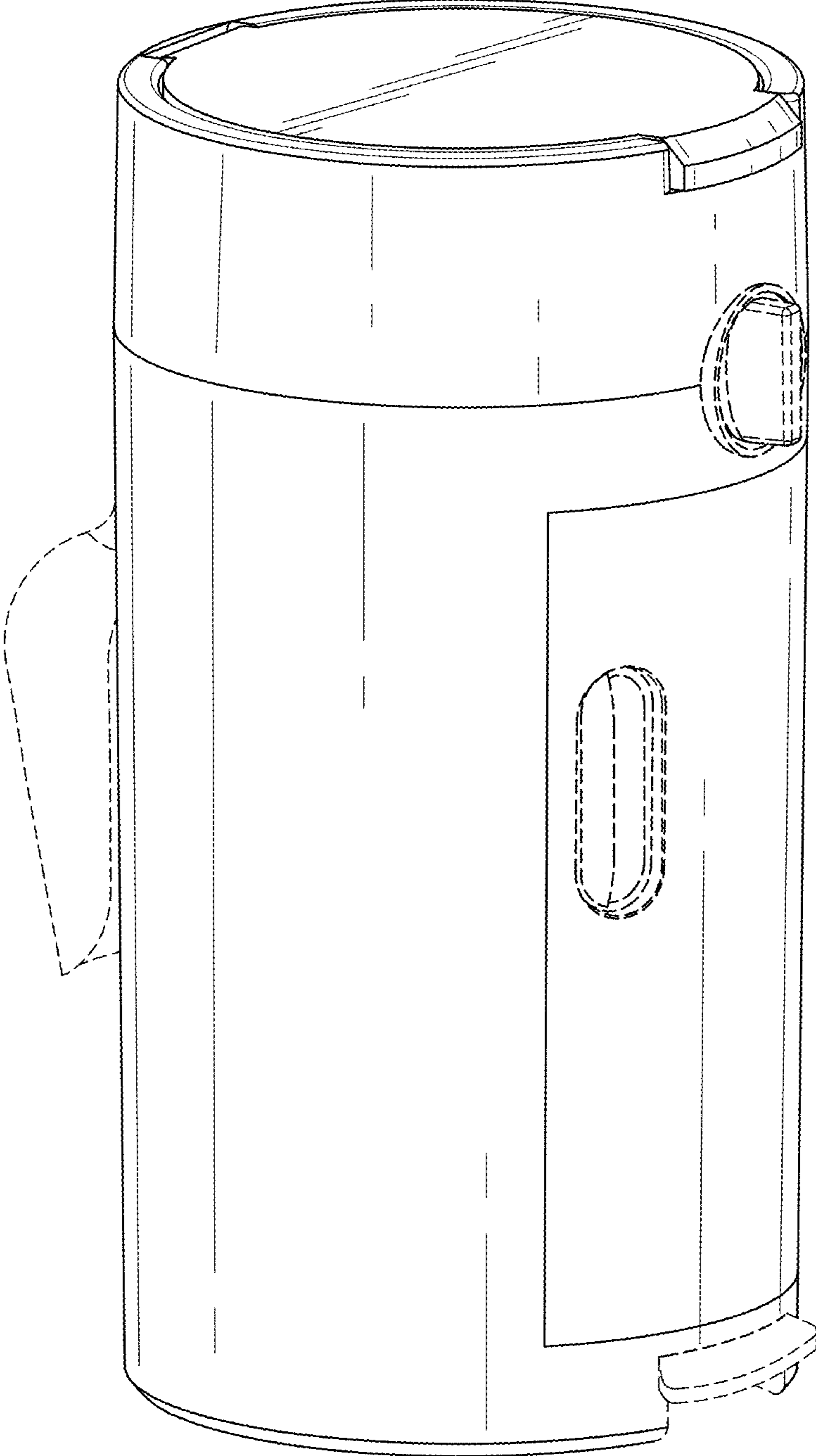


FIG. 1

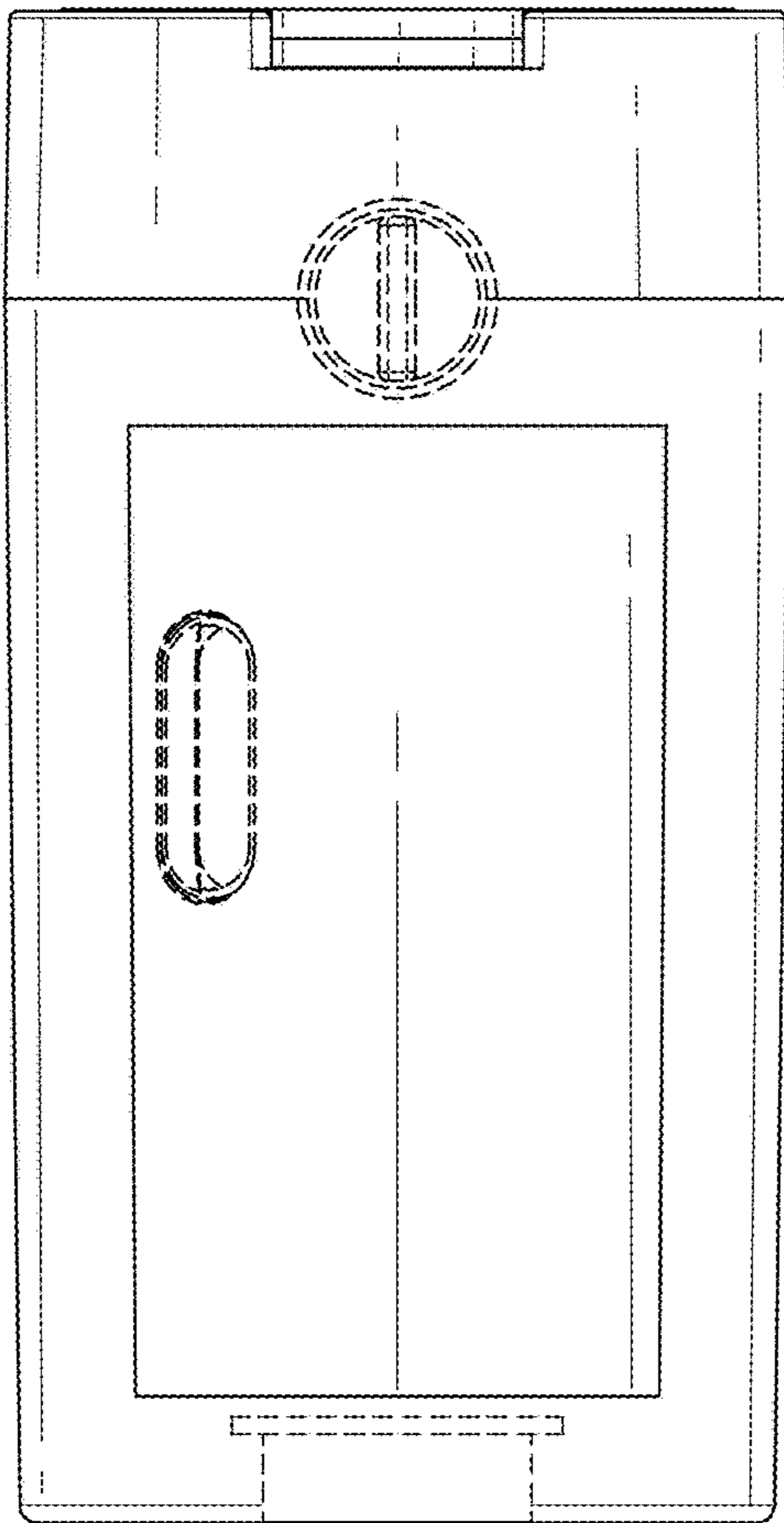


FIG. 2

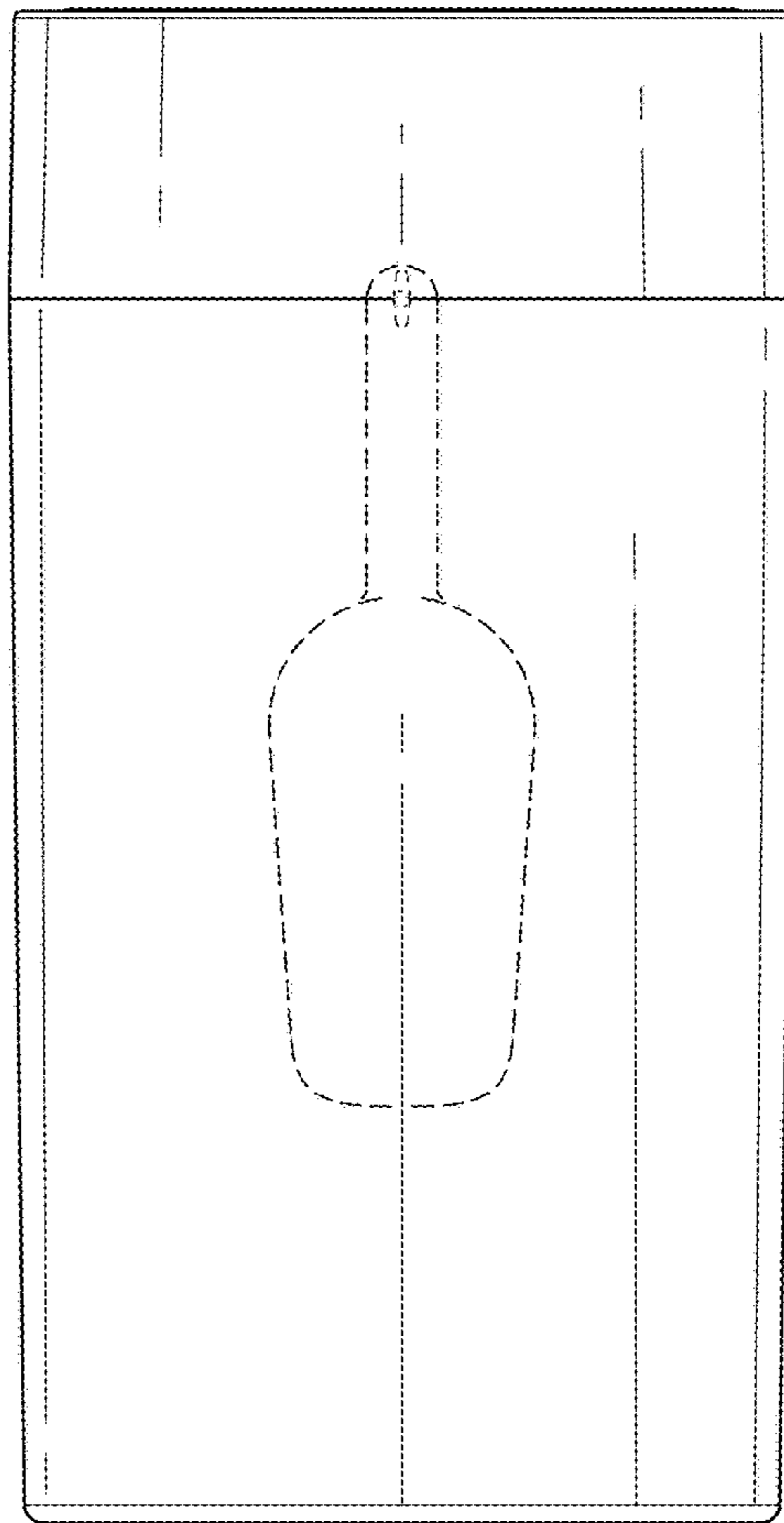


FIG. 3

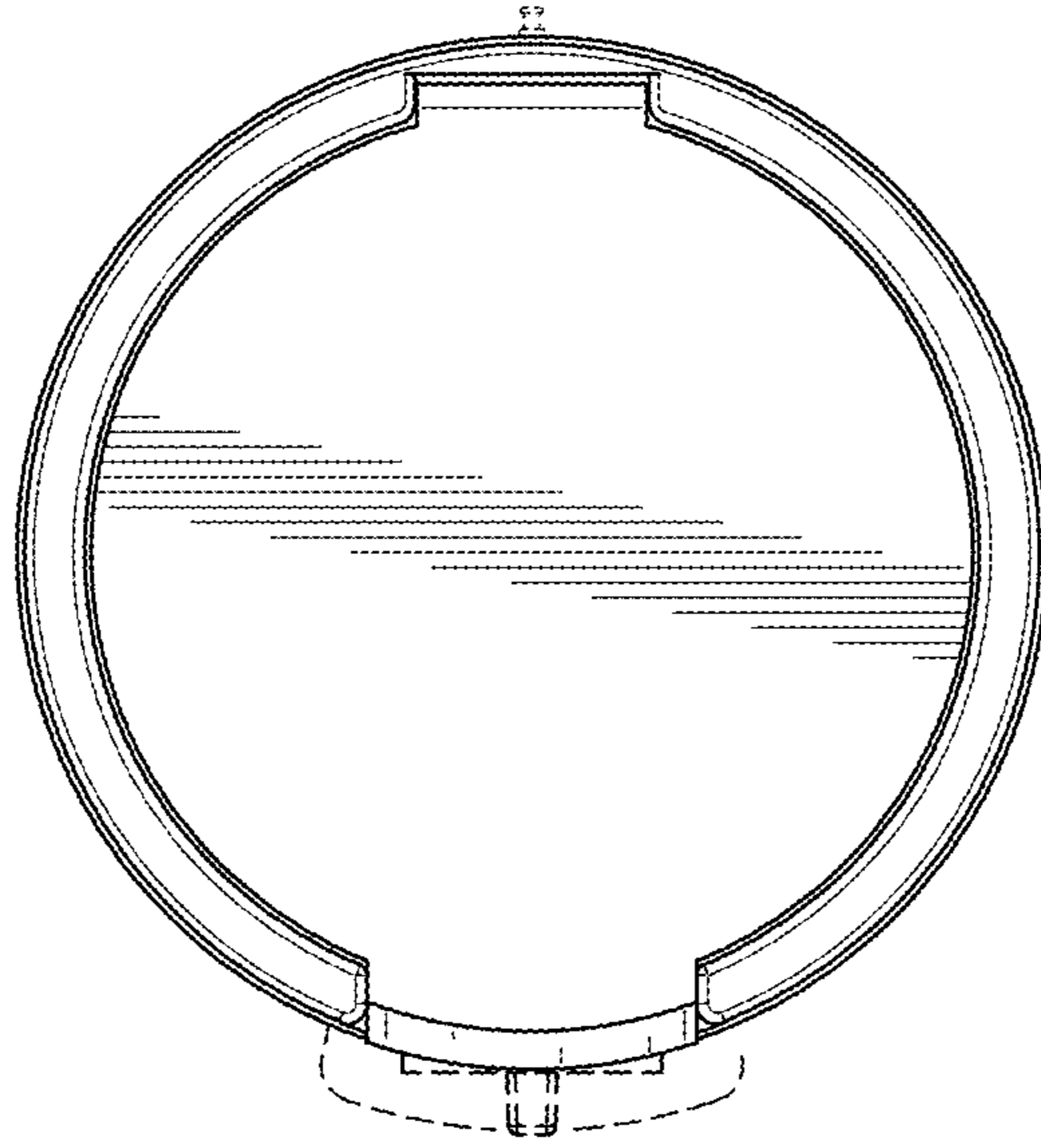


FIG. 4

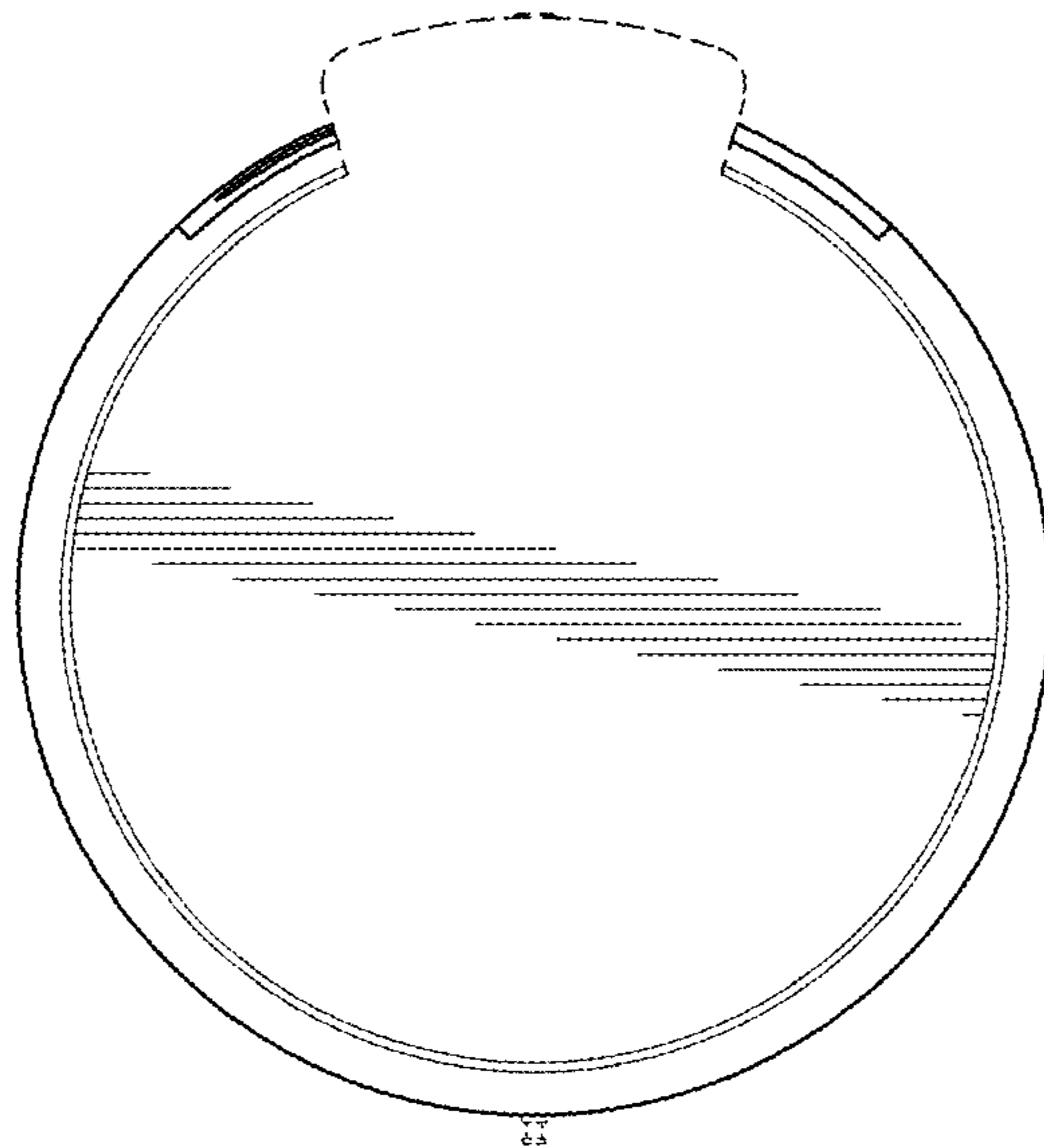


FIG. 5

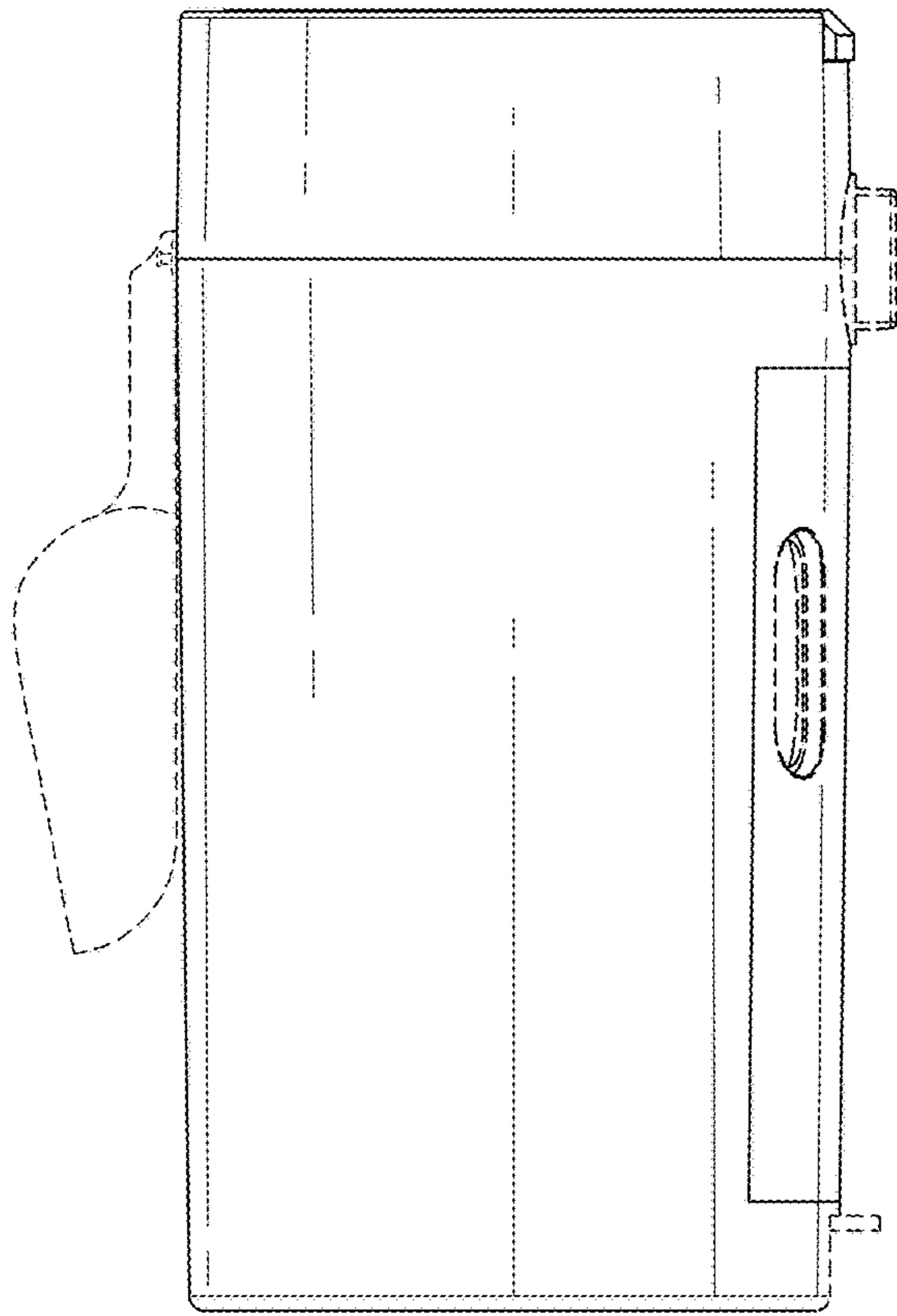


FIG. 6

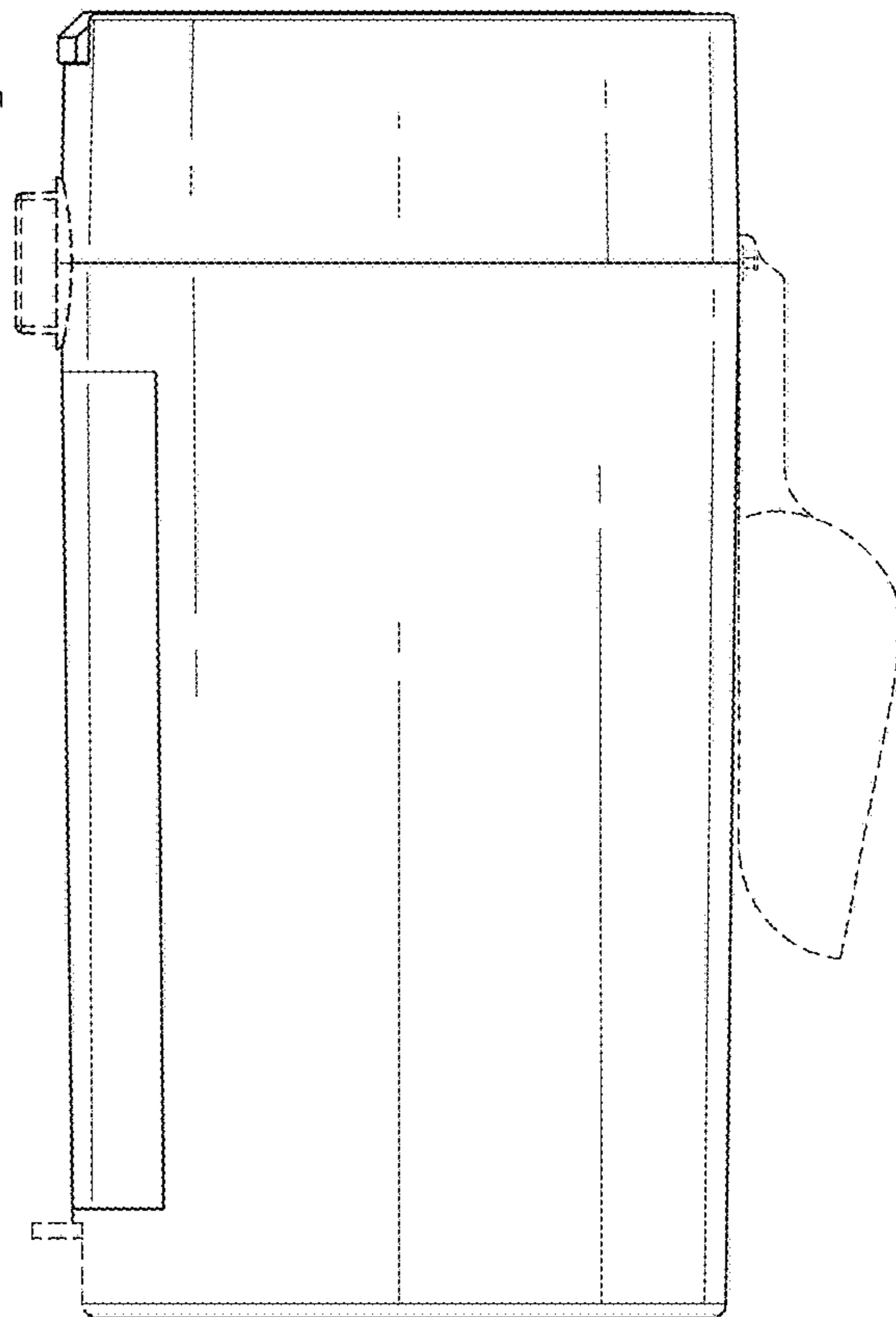


FIG. 7

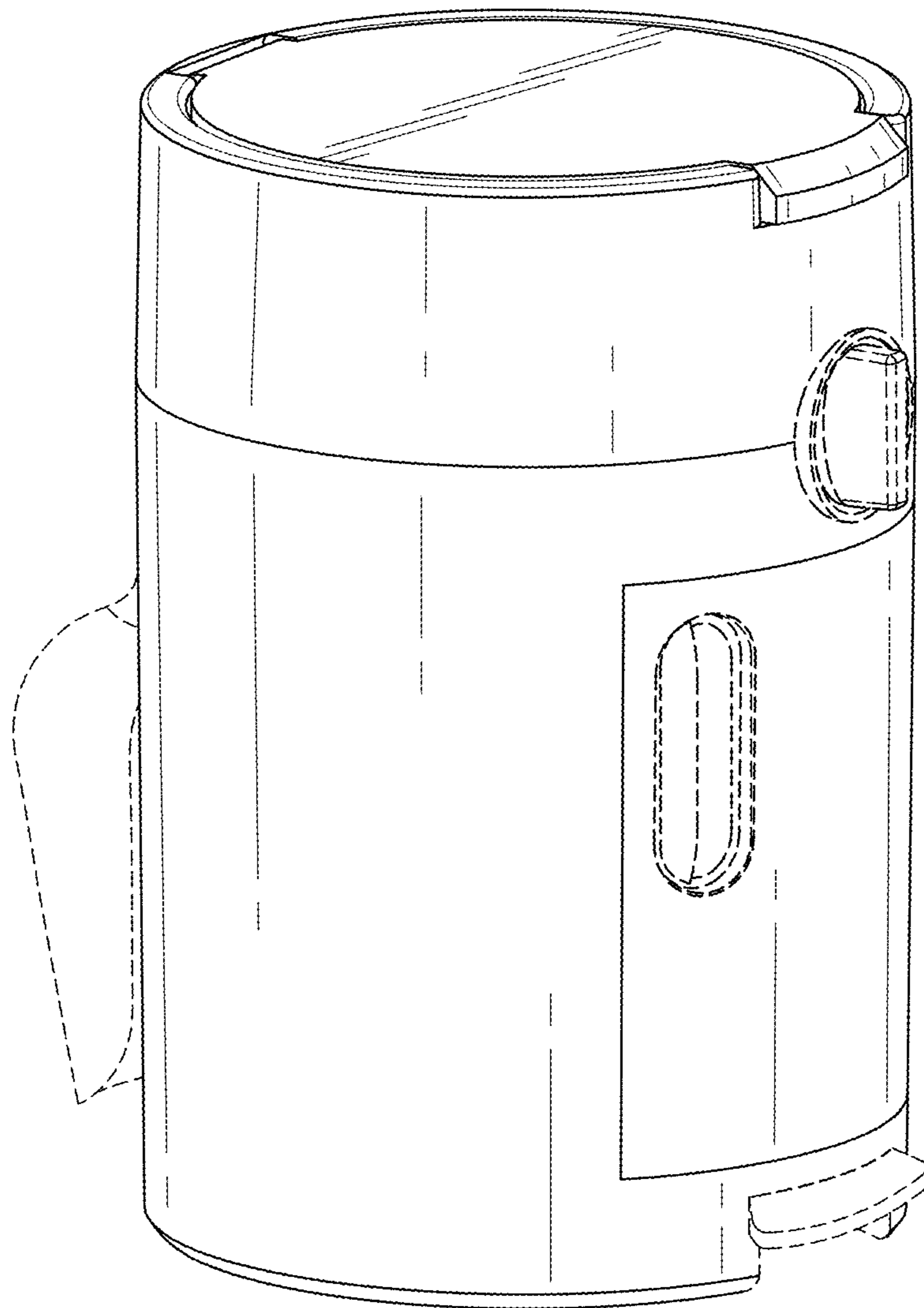


FIG. 8

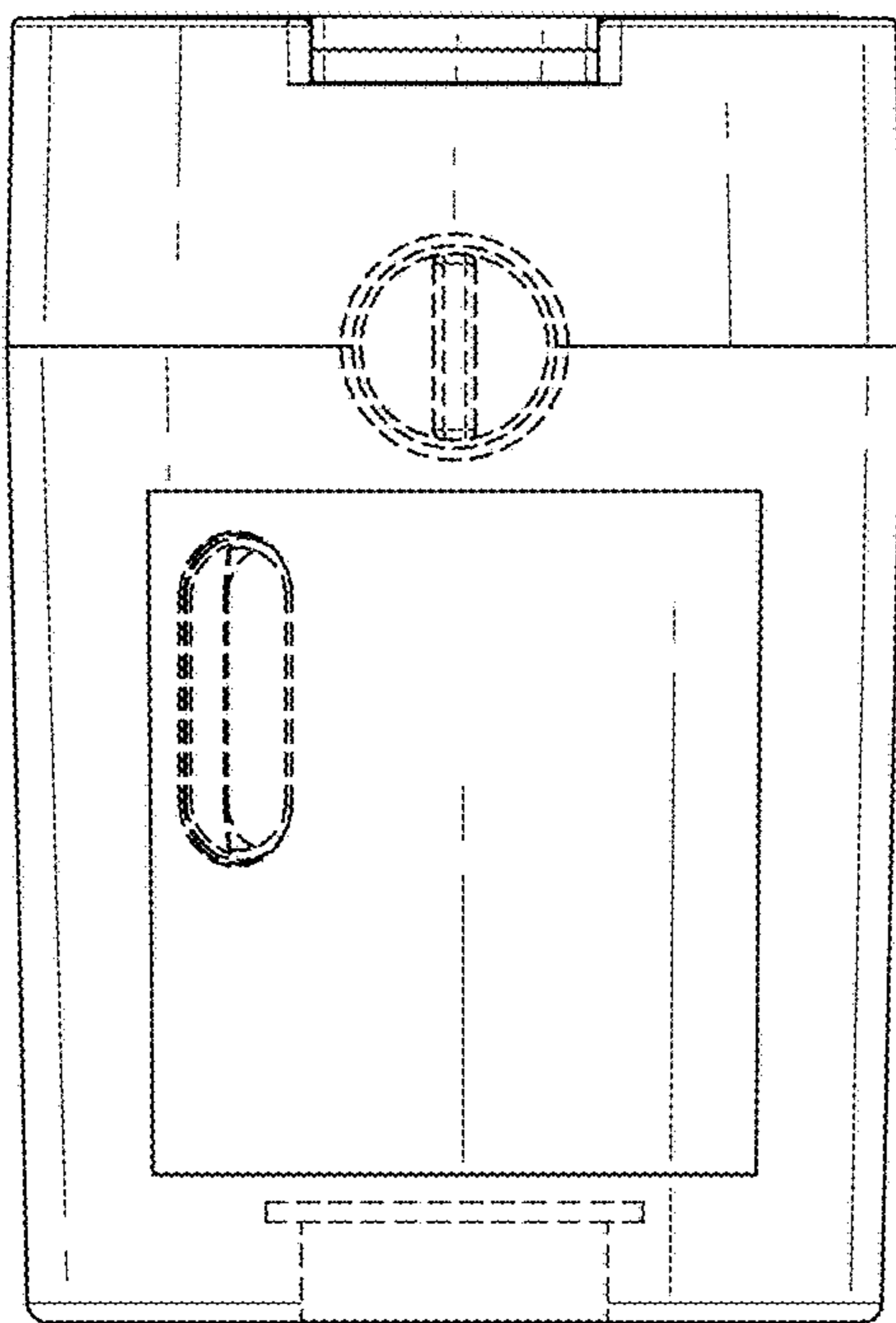


FIG. 9

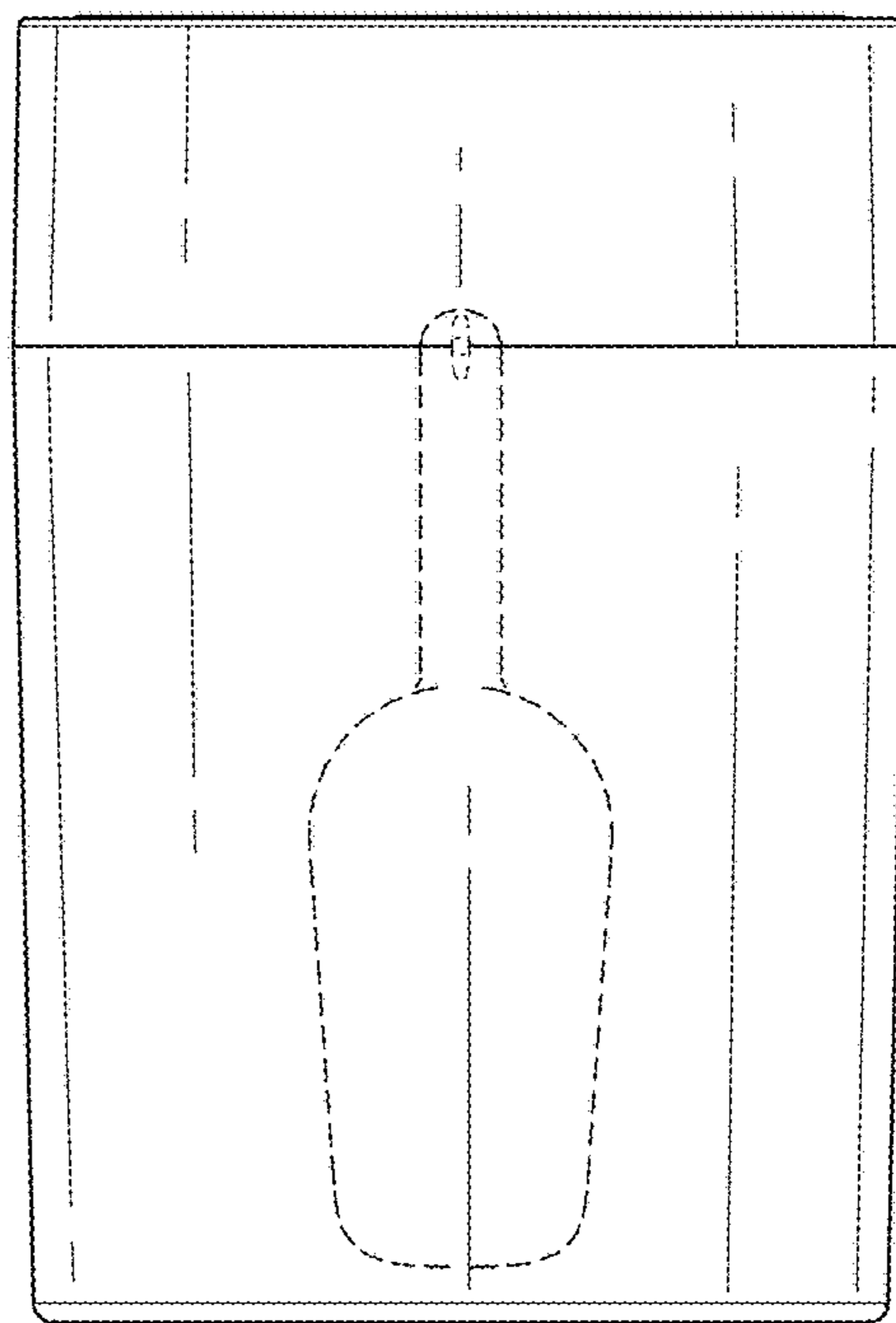


FIG. 10



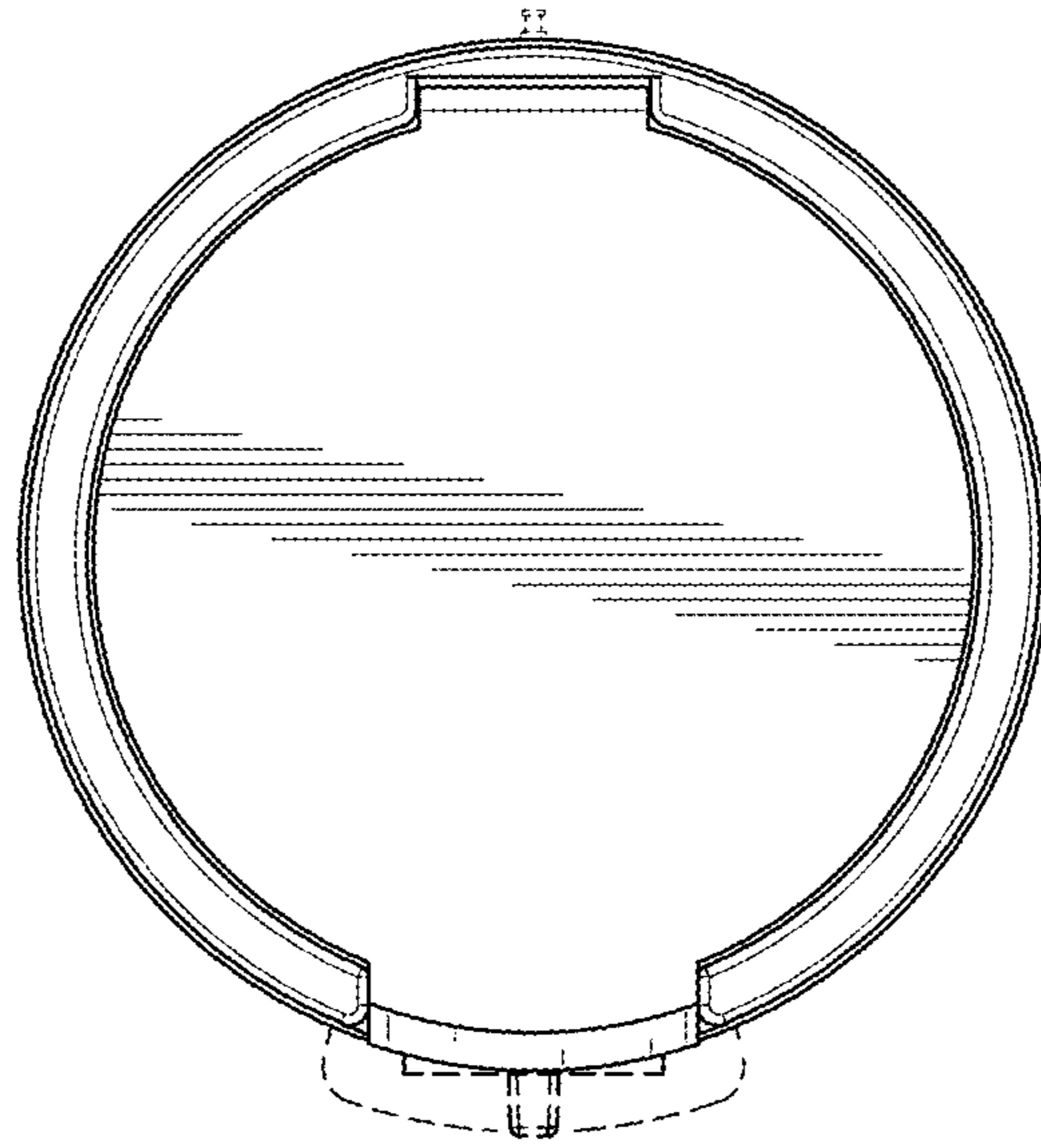


FIG. 11

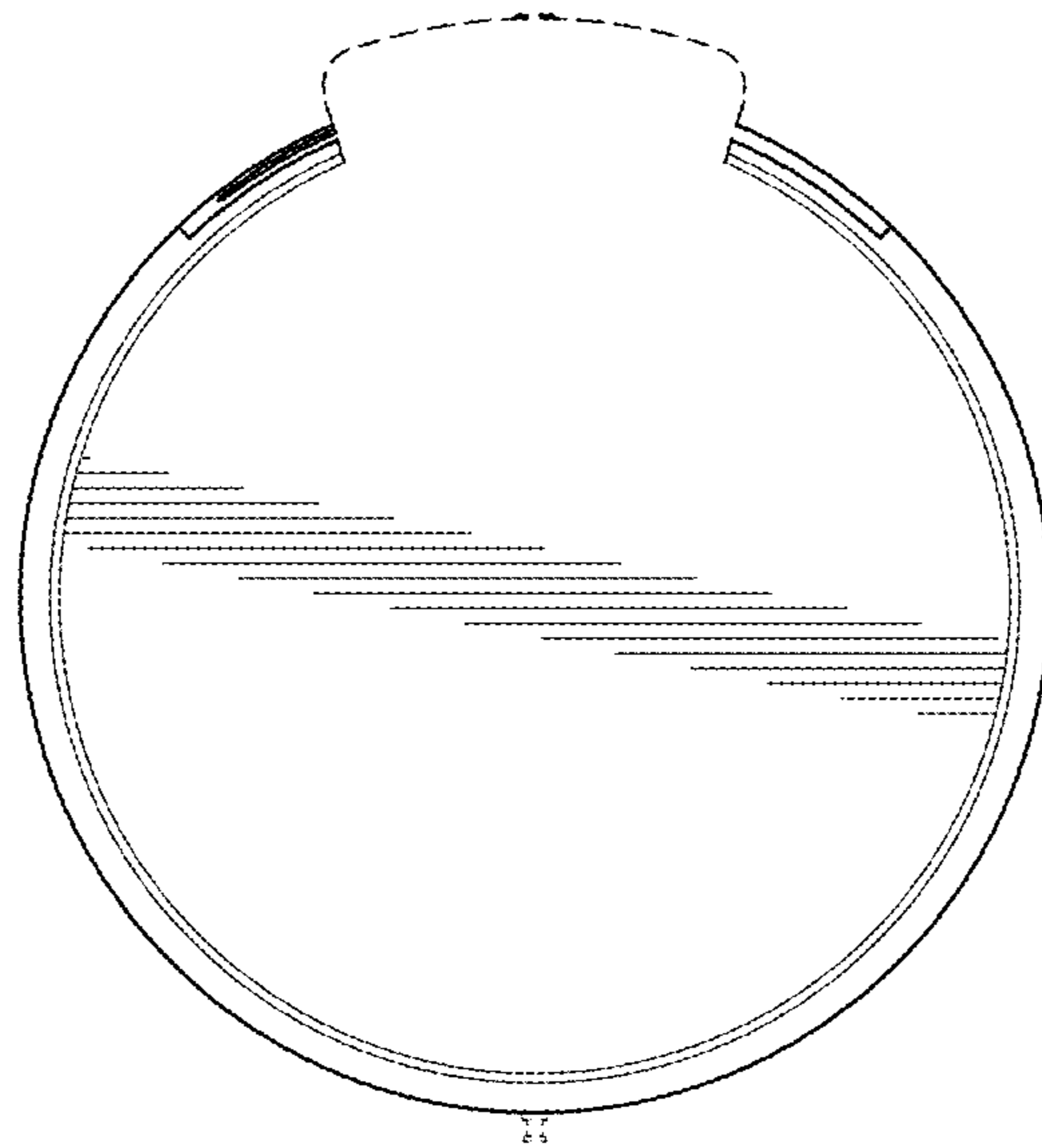


FIG. 12

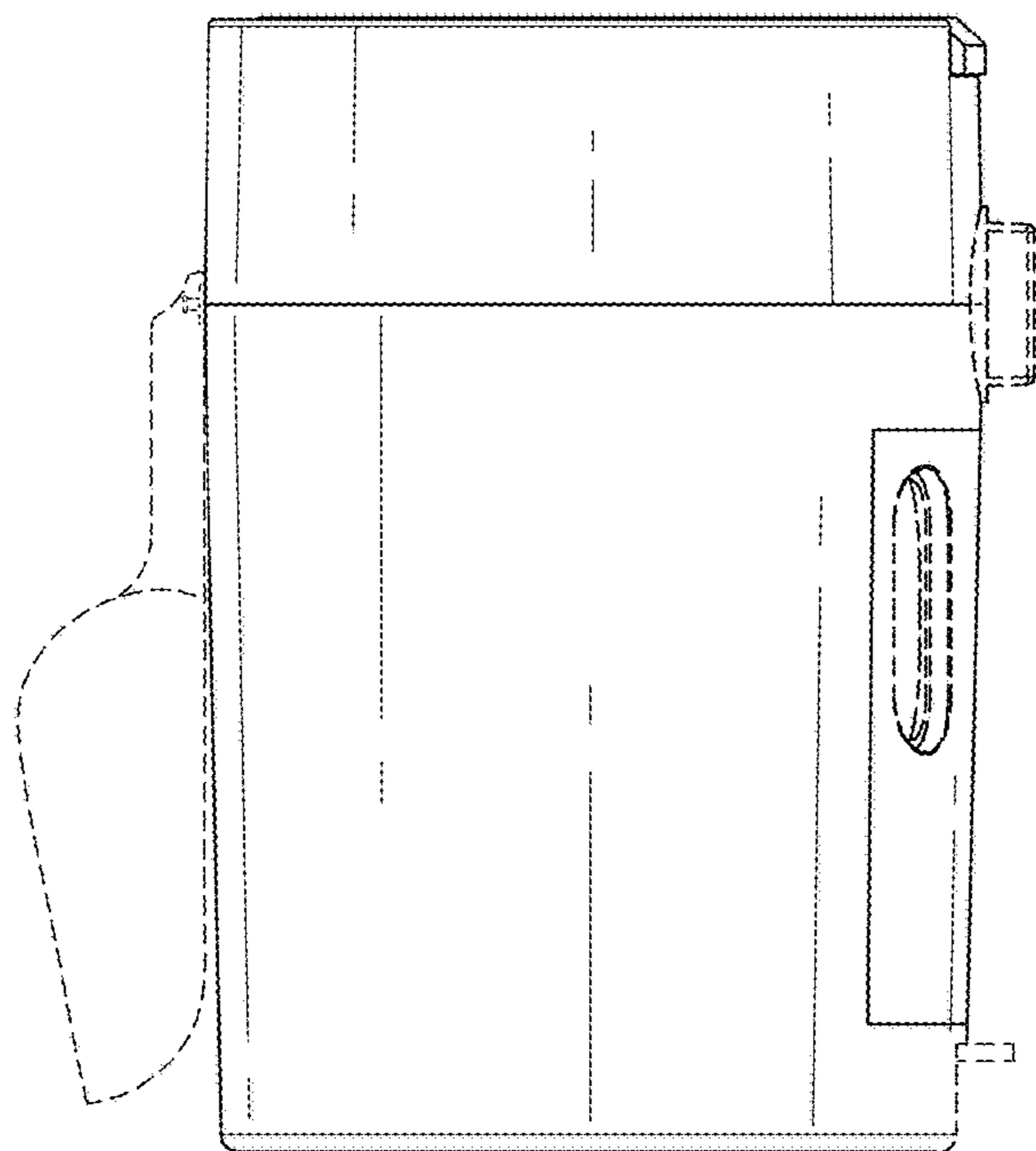


FIG. 13

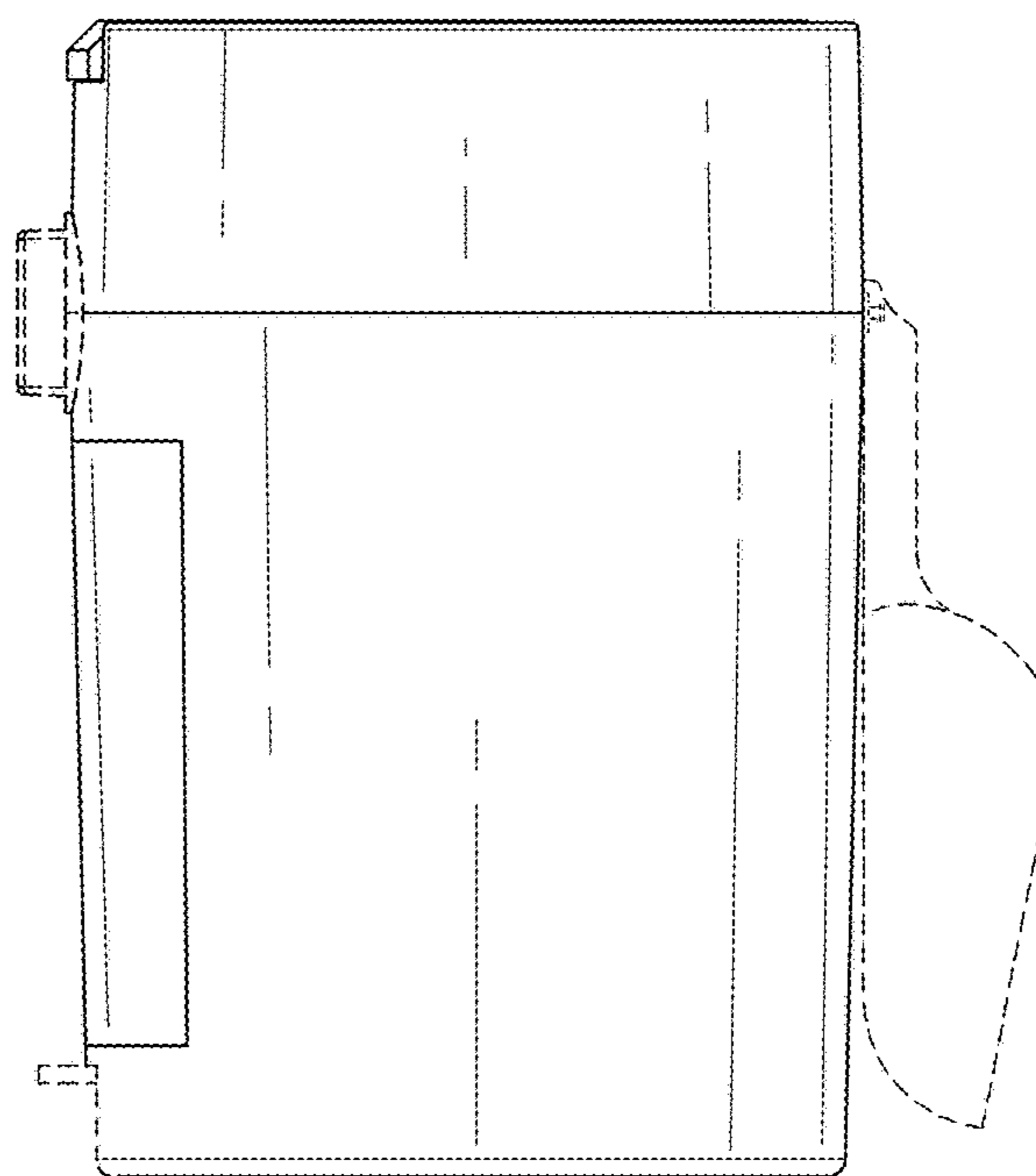


FIG. 14