



US00D780394S

(12) **United States Design Patent**  
**Bu et al.**

(10) **Patent No.:** **US D780,394 S**  
(45) **Date of Patent:** **\*\* Feb. 28, 2017**

(54) **HANDLE FOR VACUUM CLEANER**

FOREIGN PATENT DOCUMENTS

(71) Applicant: **Samsung Electronics Co., Ltd.**,  
Suwon-si, Gyeonggi-do (KR)

EM 001361141-0003 2/2013

(72) Inventors: **Minhyouk Bu**, Seoul (KR); **Sanghun Yoon**, Seoul (KR); **Cheolyeon Jo**, Seoul (KR); **Jaewon Choi**, Seoul (KR)

OTHER PUBLICATIONS

<http://www.bedbathandbeyond.com/store/product/shark-reg-rocket-ultra-light-upright-stick-vacuum/1041747186>.  
<http://www.motherhoodunadorned.com/2014/02/06/review-dyson-animal-bagless-cordless-stick-vacuum/>.

(73) Assignee: **SAMSUNG ELECTRONICS CO., LTD.**, Suwon-si, Gyeonggi-Do (KR)

\* cited by examiner

(\*\*) Term: **15 Years**

*Primary Examiner* — Ruth McInroy

(21) Appl. No.: **29/529,955**

(74) *Attorney, Agent, or Firm* — Ladas & Parry LLP

(22) Filed: **Jun. 11, 2015**

(30) **Foreign Application Priority Data**

Dec. 22, 2014 (KR) ..... 30-2014-0062419

(51) **LOC (10) Cl.** ..... **15-05**

(52) **U.S. Cl.**  
USPC ..... **D32/34; D32/18**

(58) **Field of Classification Search**  
USPC ..... D32/17-18, 21, 31  
CPC ..... A47L 5/24; A47L 5/28; A47L 7/0038  
See application file for complete search history.

(57) **CLAIM**

We claim the ornamental design for a handle for vacuum cleaner, as shown and described.

(56) **References Cited**

U.S. PATENT DOCUMENTS

D528,253 S *	9/2006	Wu	.....	D32/18
D541,495 S *	4/2007	DiPasquale	.....	D32/18
D731,720 S *	6/2015	Gidwell	.....	D32/18
D743,123 S *	11/2015	Chu	.....	D32/18
D745,231 S *	12/2015	Niedzwecki	.....	D32/18
D749,283 S *	2/2016	Kim	.....	D32/18
2016/0113455 A1 *	4/2016	Horvath	.....	A47L 9/12 15/344
2016/0128527 A1 *	5/2016	Grey	.....	A47L 5/24 15/344

**DESCRIPTION**

FIG. 1 is the front perspective view of a handle for vacuum cleaner showing our new design;  
FIG. 2 is the front view thereof;  
FIG. 3 is the rear view thereof;  
FIG. 4 is the left-side view thereof;  
FIG. 5 is the right-side view thereof;  
FIG. 6 is the top plan view thereof;  
FIG. 7 is the bottom plan view thereof; and,  
FIG. 8 is a front perspective view thereof shown in an example environment.  
The broken lines in the drawing show unclaimed environment only and form no part of the claimed design.  
The dot dash lines in the figures represent an unclaimed boundary line and form no part of the claimed design.

**1 Claim, 8 Drawing Sheets**

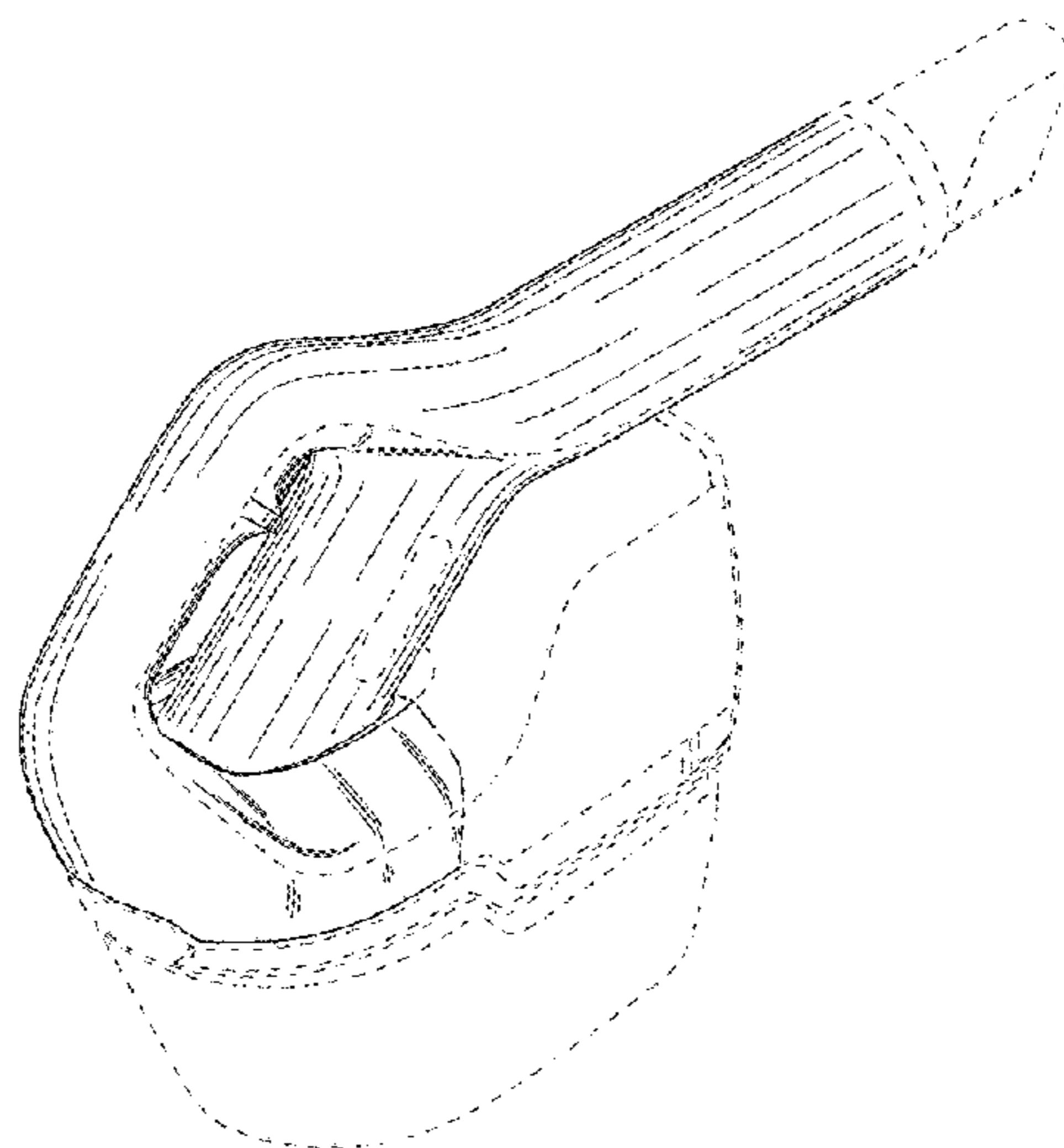
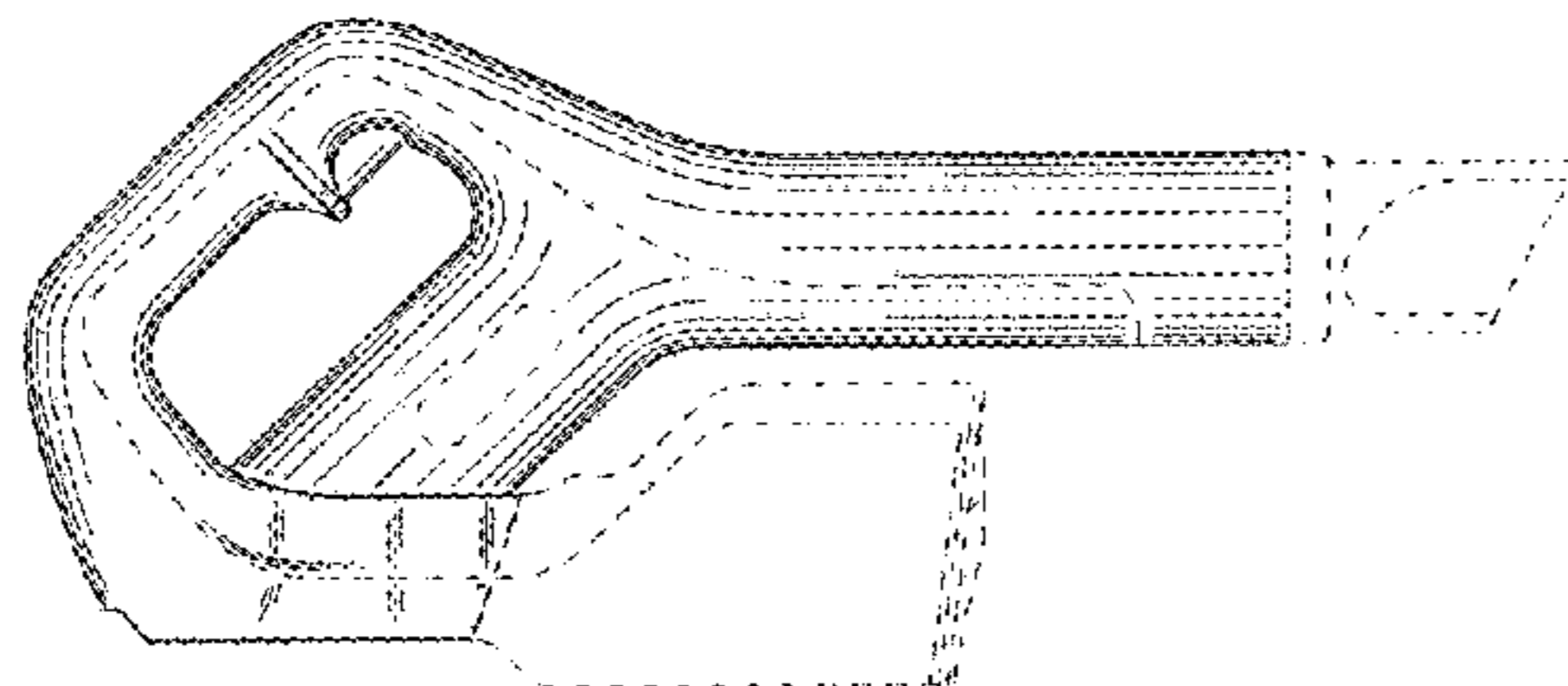


FIG. 1

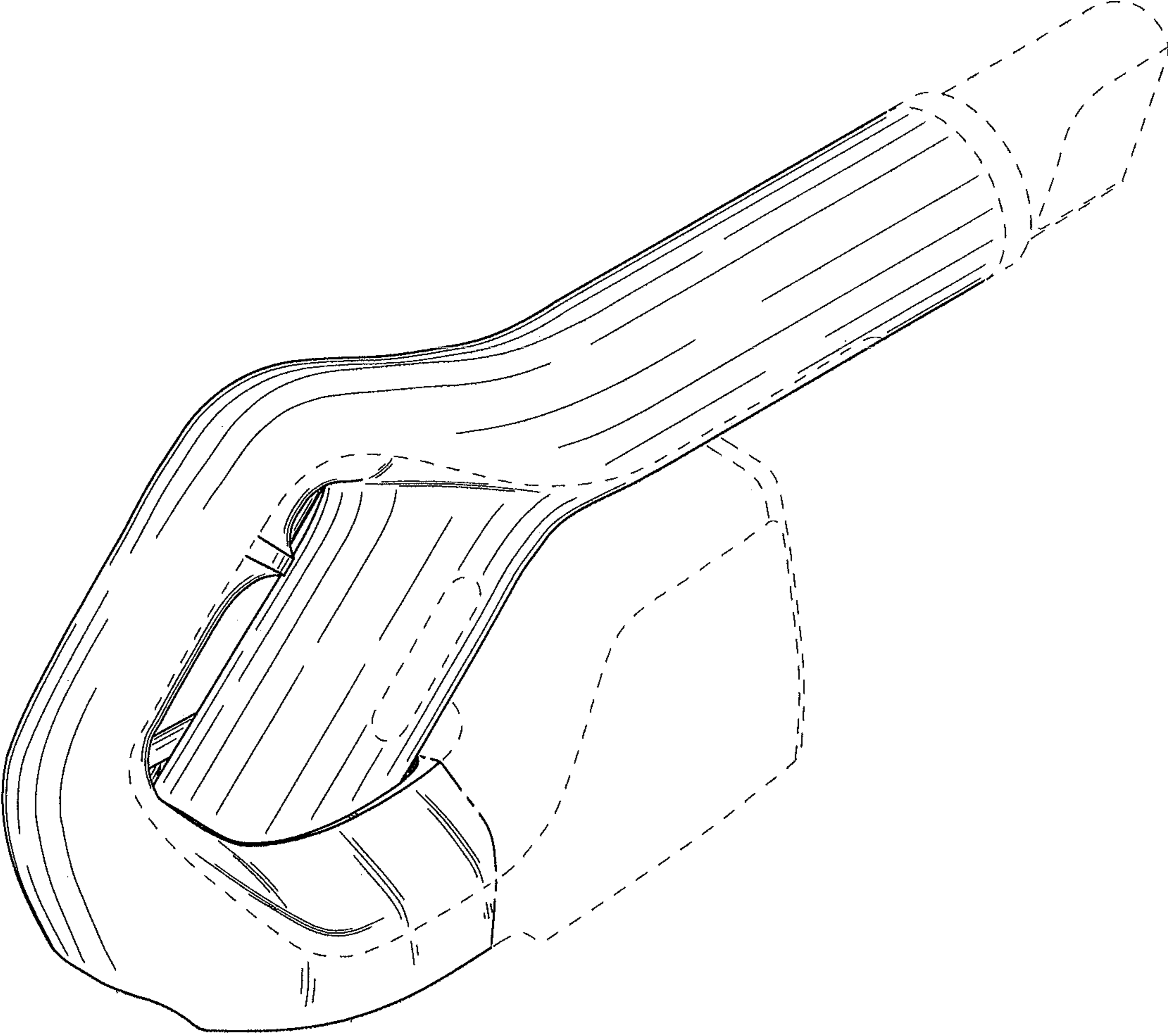


FIG. 2

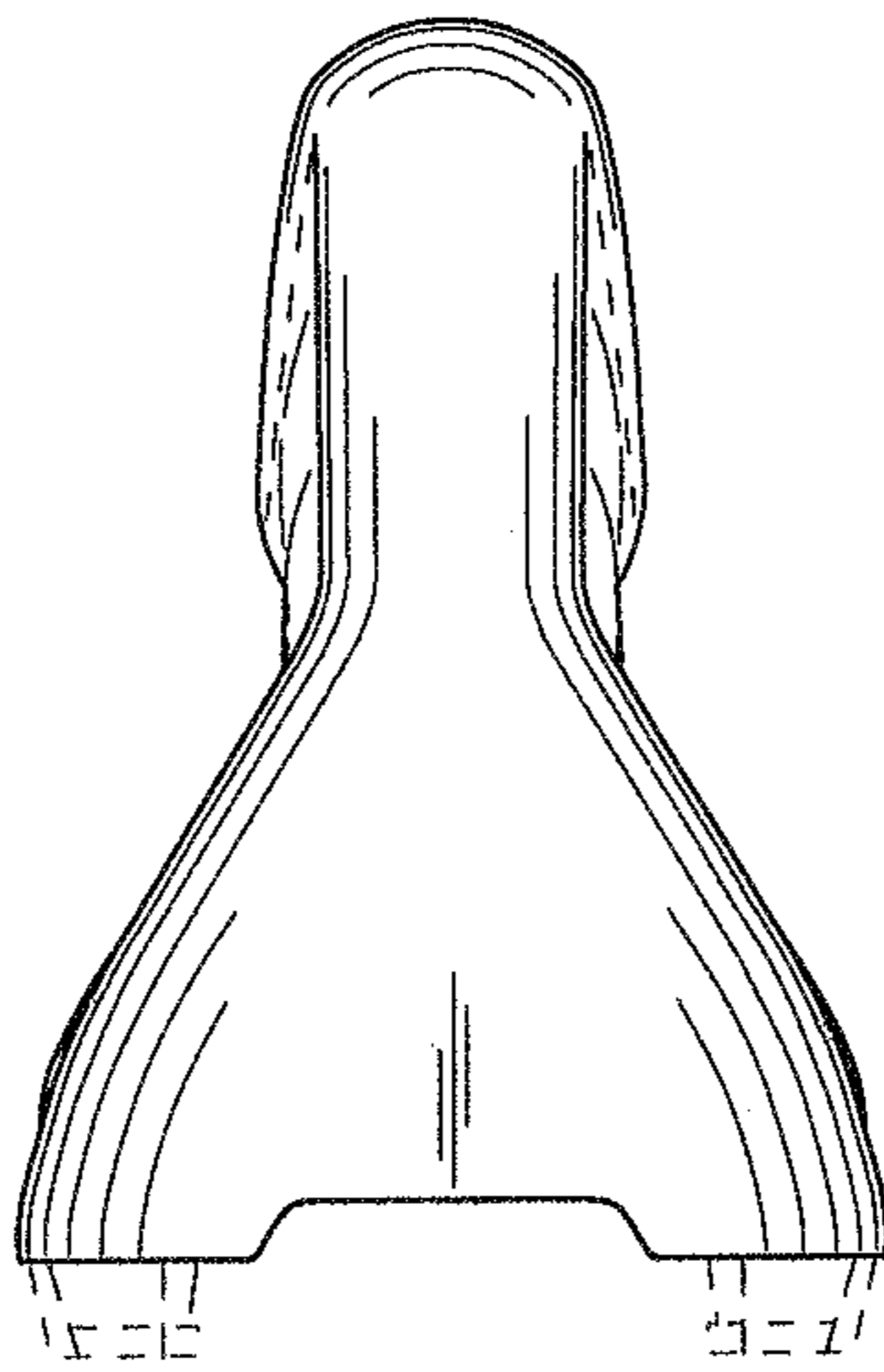


FIG. 3

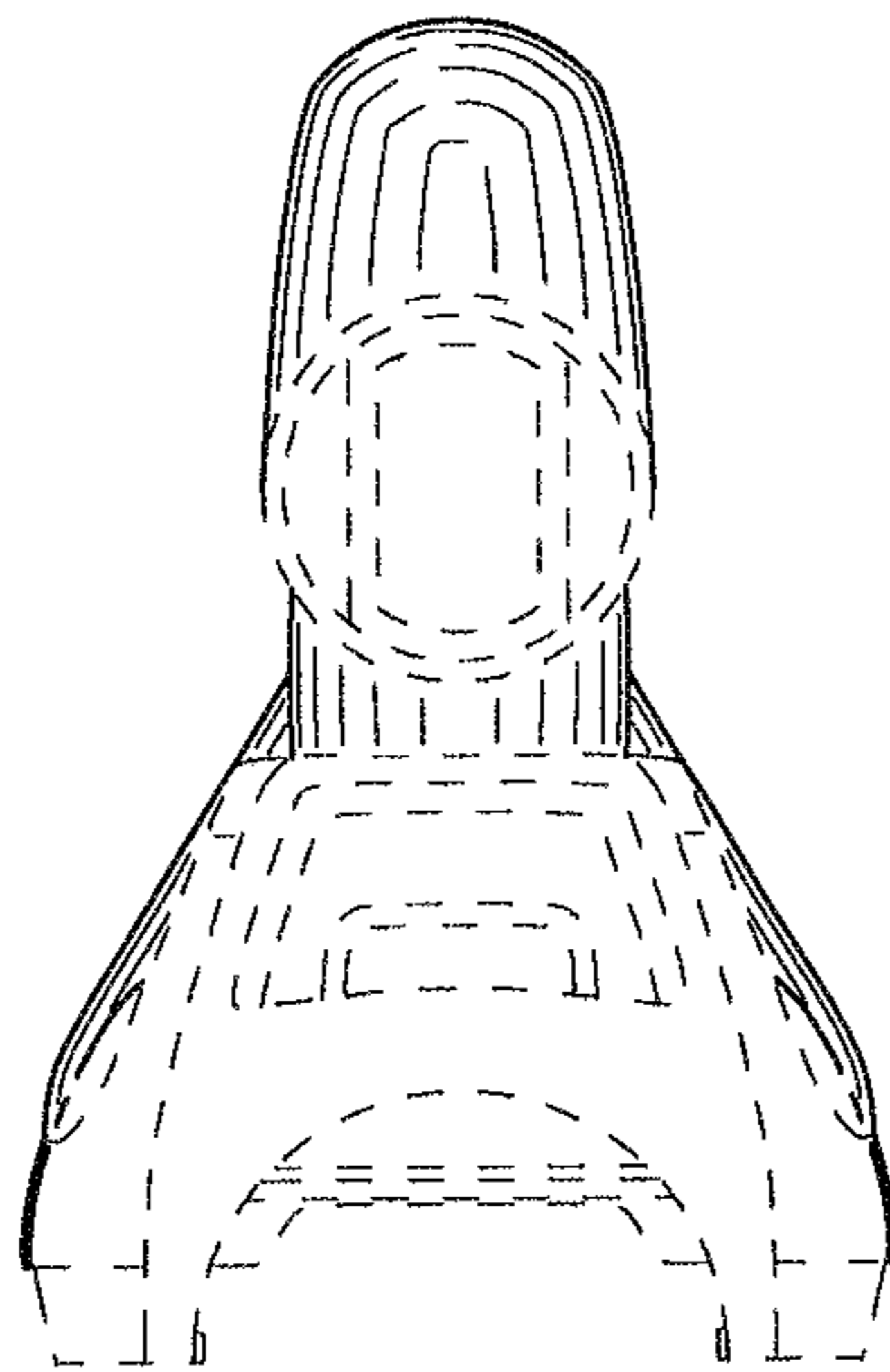


FIG. 4

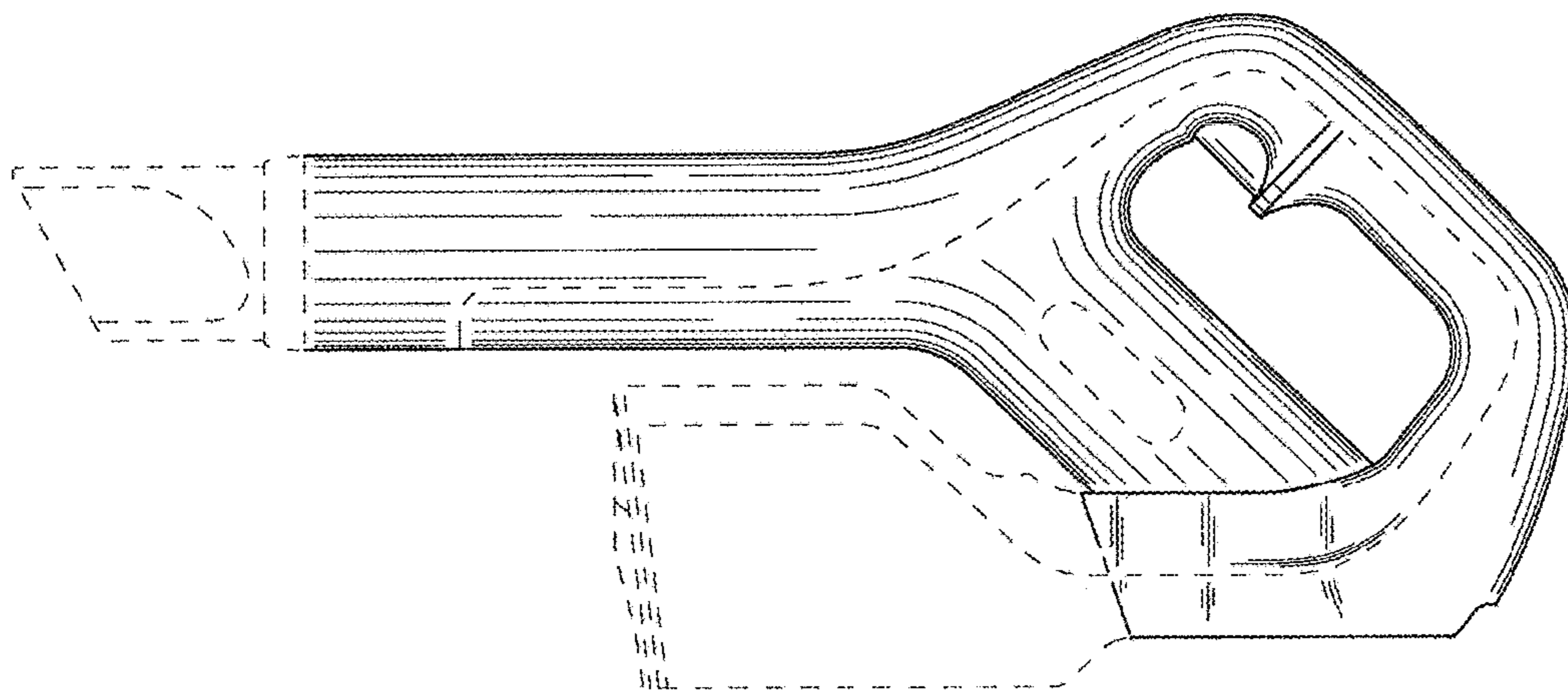


FIG. 5

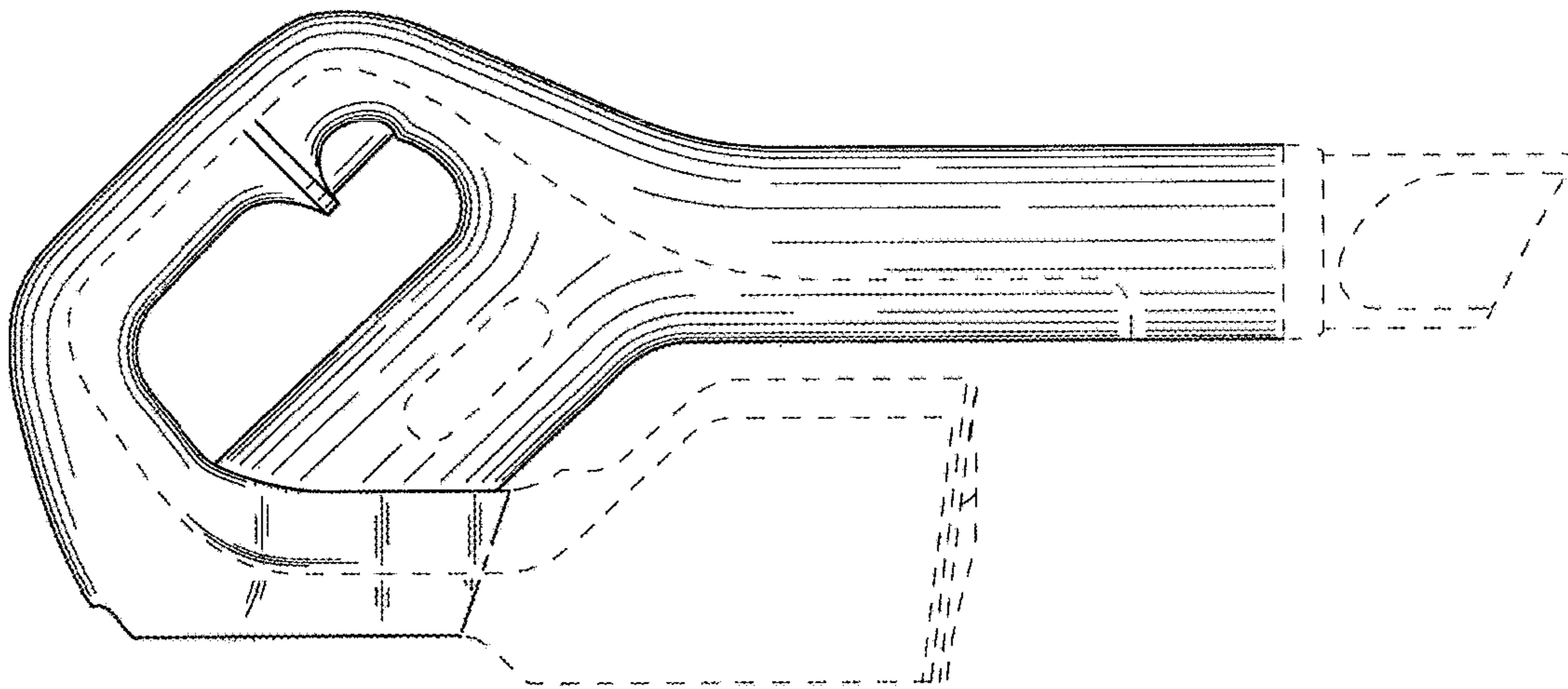


FIG. 6

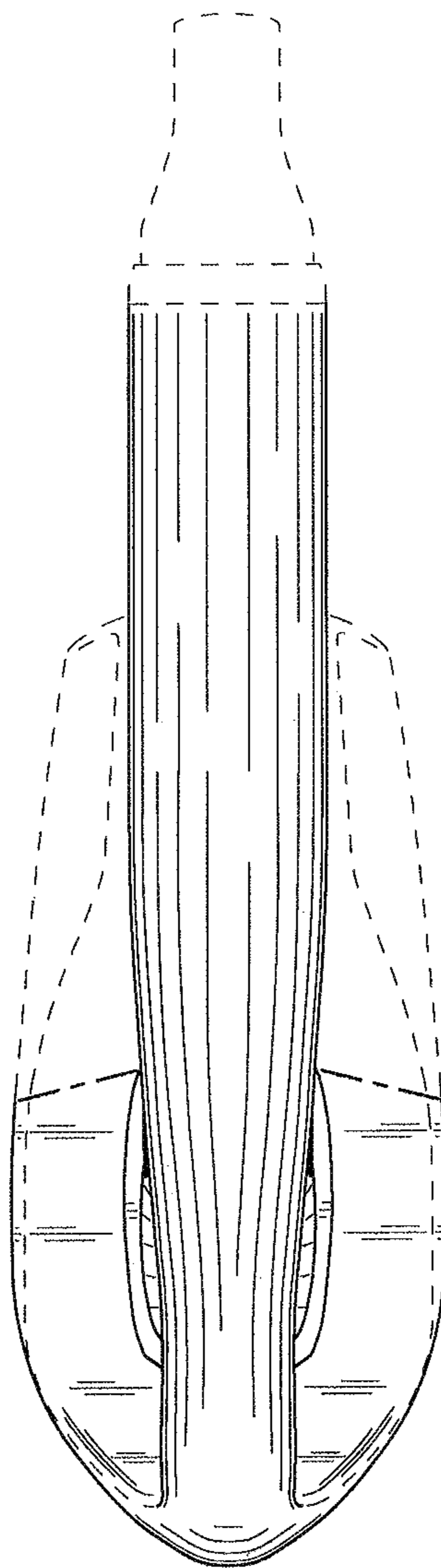


FIG. 7

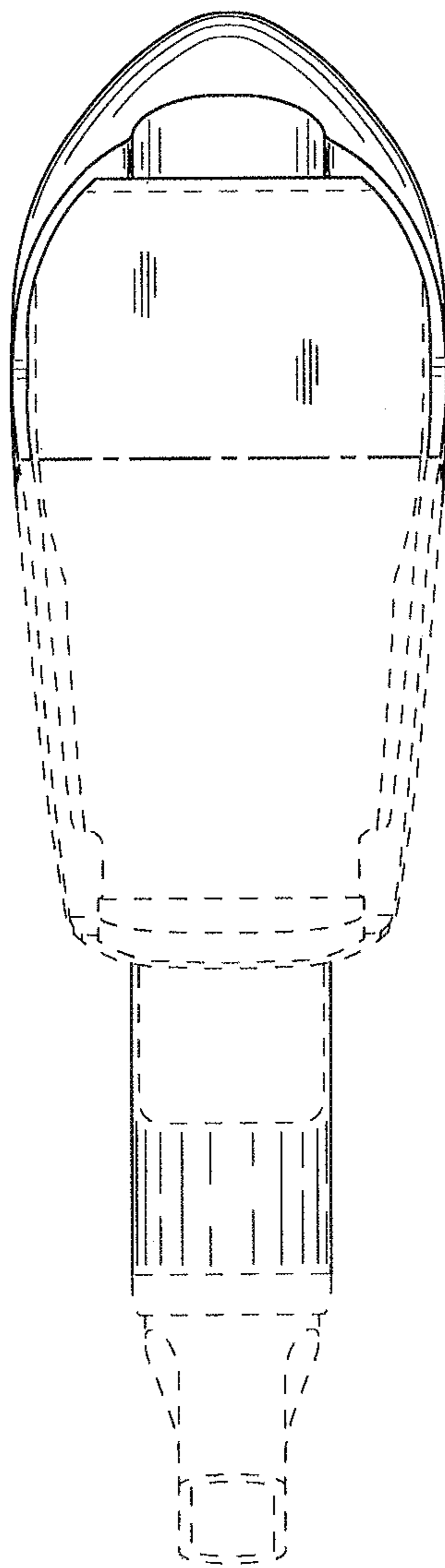




FIG. 8

