



US00D780393S

(12) **United States Design Patent**
Carr et al.

(10) **Patent No.:** **US D780,393 S**

(45) **Date of Patent:** **** Feb. 28, 2017**

- (54) **VACUUM CLEANER BASE**
- (71) Applicant: **BISSELL Homecare, Inc.**, Grand Rapids, MI (US)
- (72) Inventors: **Adam G. Carr**, Ada, MI (US); **Drew A. Johnson**, Coopersville, MI (US)
- (73) Assignee: **BISSELL Homecare, Inc.**, Grand Rapids, MI (US)
- (**) Term: **15 Years**
- (21) Appl. No.: **29/546,290**
- (22) Filed: **Nov. 20, 2015**
- (51) **LOC (10) Cl.** **15-05**
- (52) **U.S. Cl.**
USPC **D32/32**
- (58) **Field of Classification Search**
USPC D32/31-33, 17
CPC D06F 87/00; A47L 5/24; A47L 11/34;
A47L 11/4044; A47L 11/4086; A47L 9/02;
A47L 9/0461; A47L 9/0693; A47L 9/06; A47L 7/009
See application file for complete search history.

D644,802 S *	9/2011	Park	D32/32
D685,150 S *	6/2013	Raven	D32/32
D720,104 S *	12/2014	Santiago	D32/32
D751,779 S *	3/2016	Smith	D32/32
D757,378 S *	5/2016	Johnson	D32/32

* cited by examiner

Primary Examiner — Ruth McInroy

(74) *Attorney, Agent, or Firm* — McGarry Bair PC

(57) **CLAIM**

The ornamental design for a vacuum cleaner base, as shown and described.

DESCRIPTION

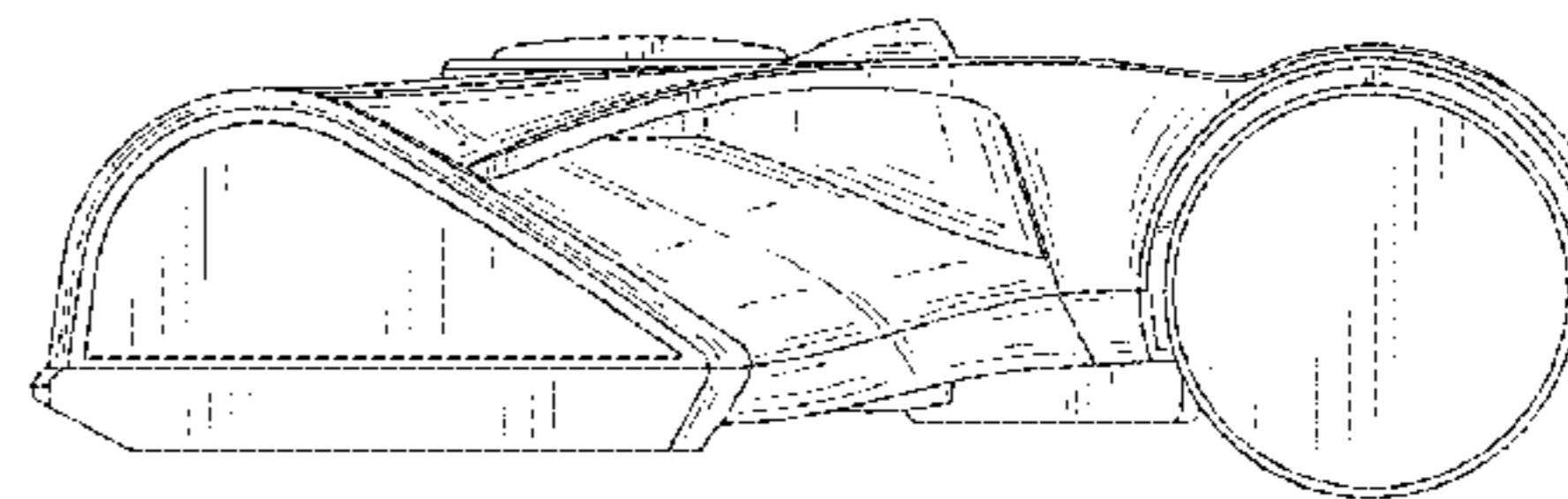
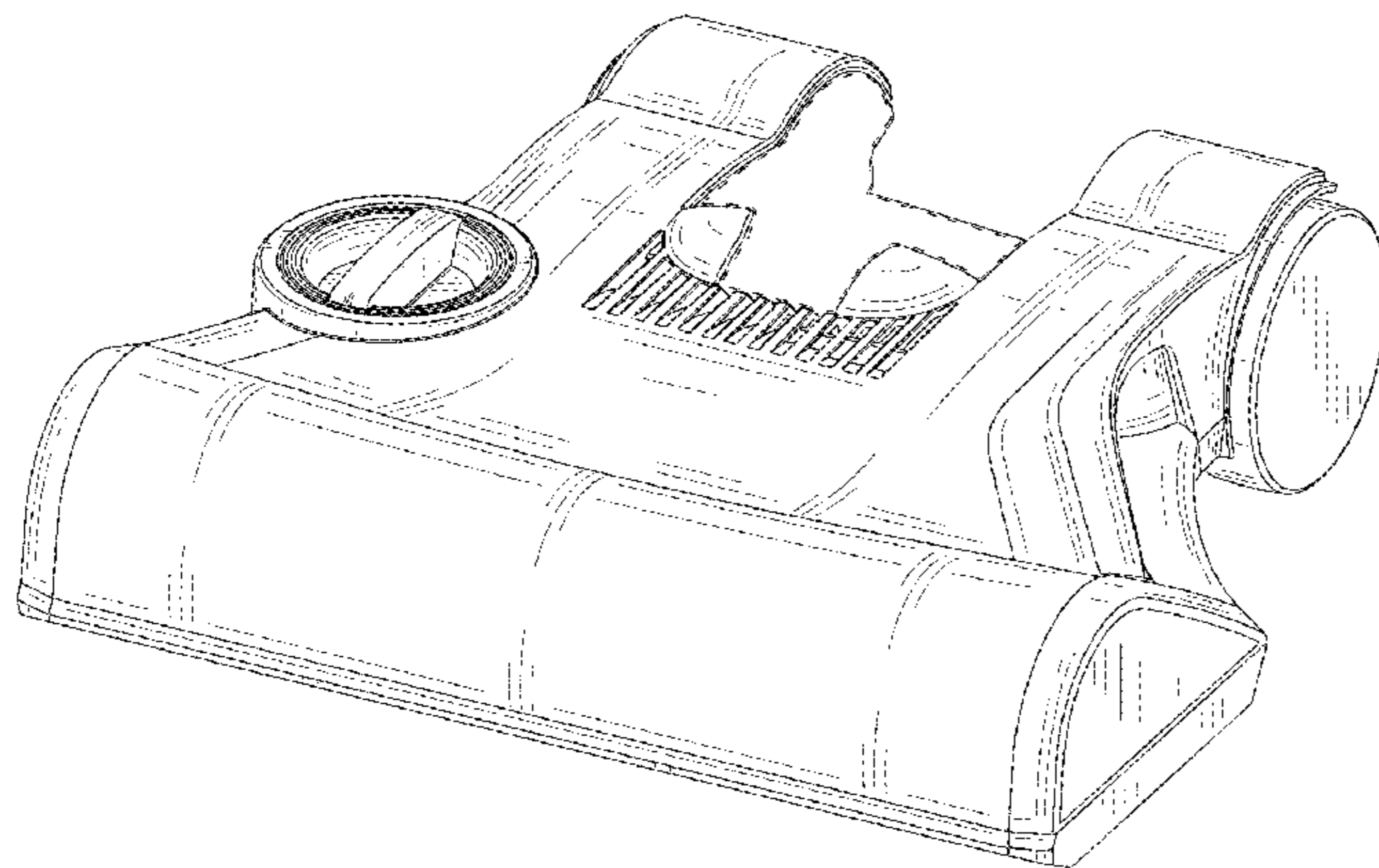
FIG. 1 is a front, right perspective view of a vacuum cleaner base showing our new design;
 FIG. 2 is a front view thereof;
 FIG. 3 is a rear view thereof;
 FIG. 4 is a left side view thereof;
 FIG. 5 is a right side view thereof; and,
 FIG. 6 is a top view thereof.
 The broken lines are shown for the purpose of illustrating unclaimed portions of the vacuum cleaner base and form no part of the claimed design.

1 Claim, 4 Drawing Sheets

(56) **References Cited**

U.S. PATENT DOCUMENTS

D544,663 S *	6/2007	Medema	D32/32
D553,314 S *	10/2007	Parr	D32/32



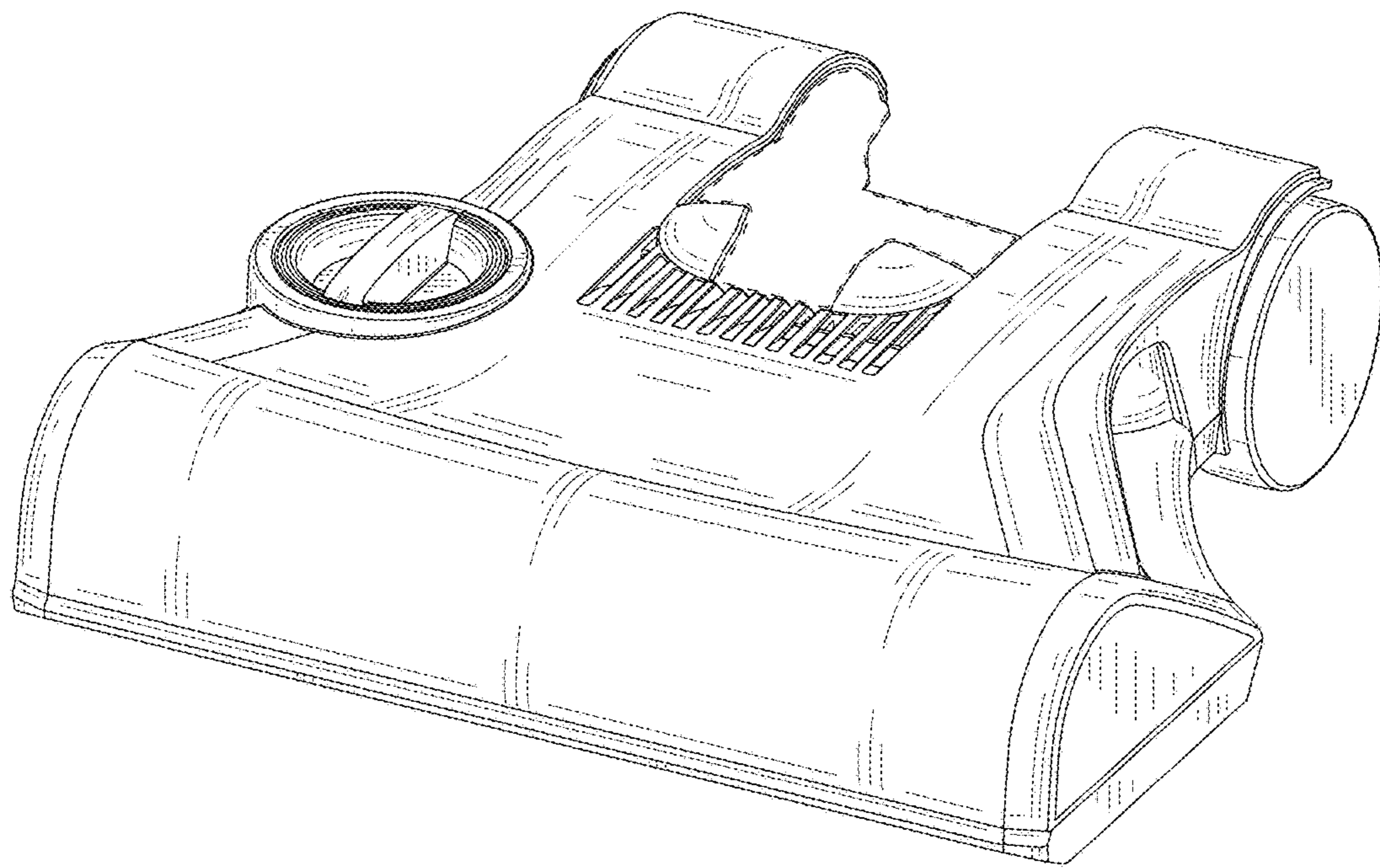


FIG. 1

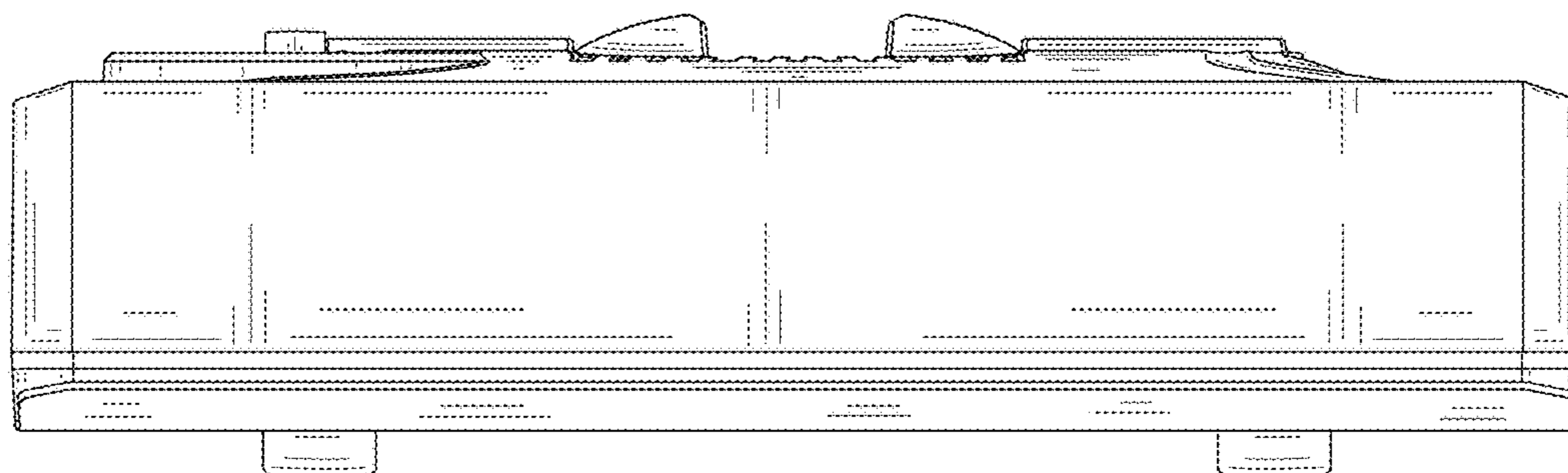


FIG. 2

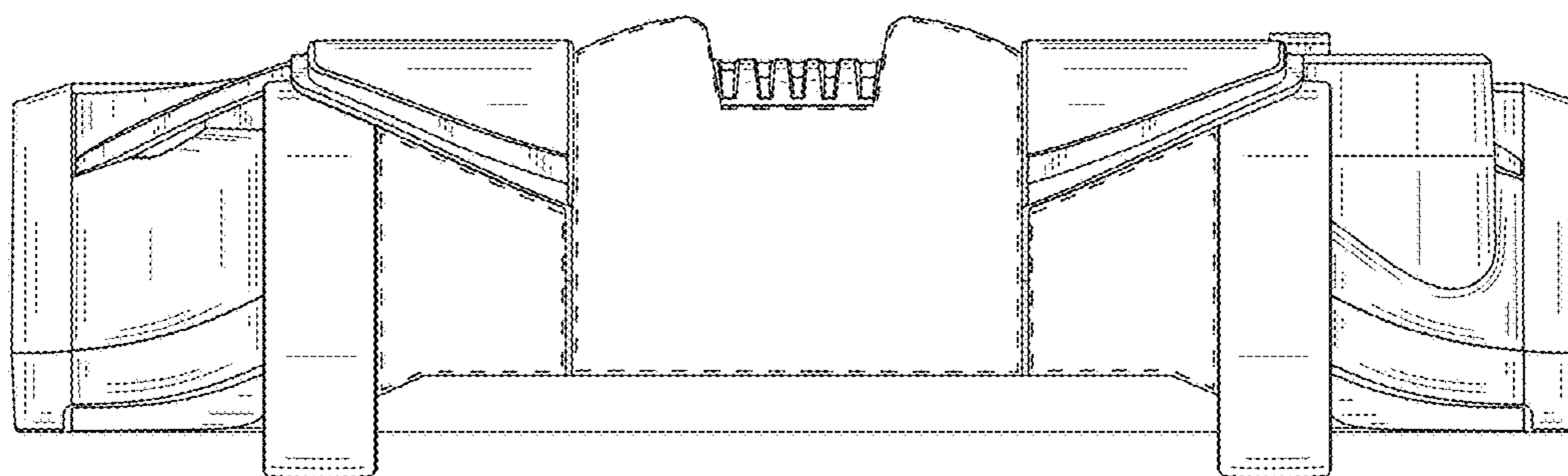


FIG. 3

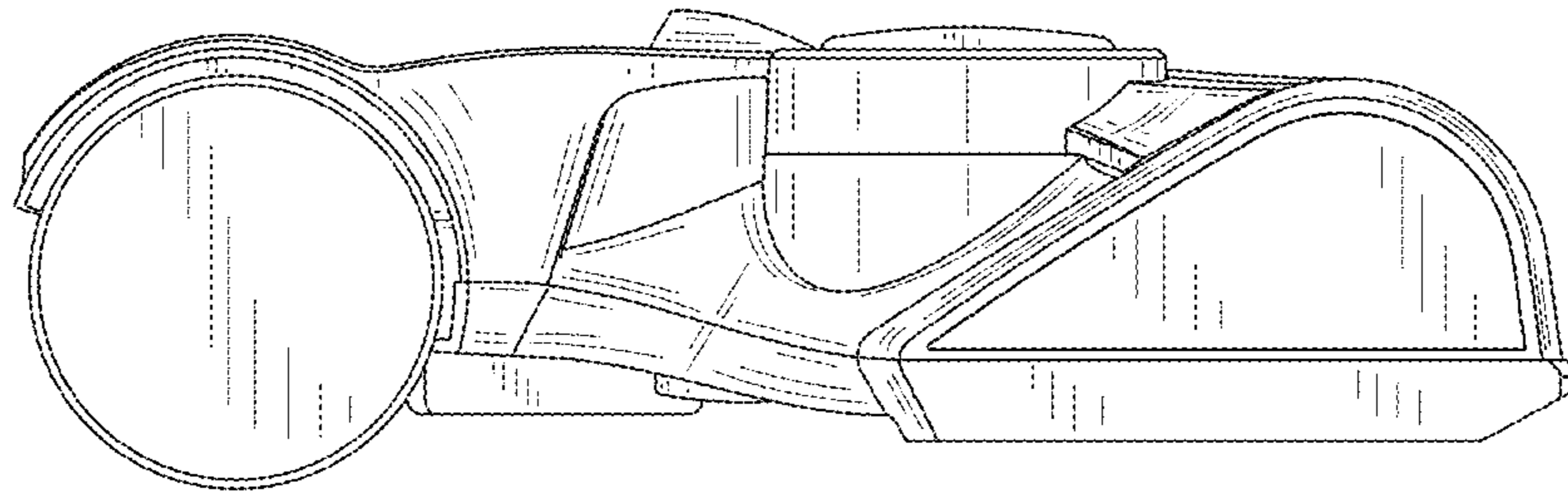


FIG. 4

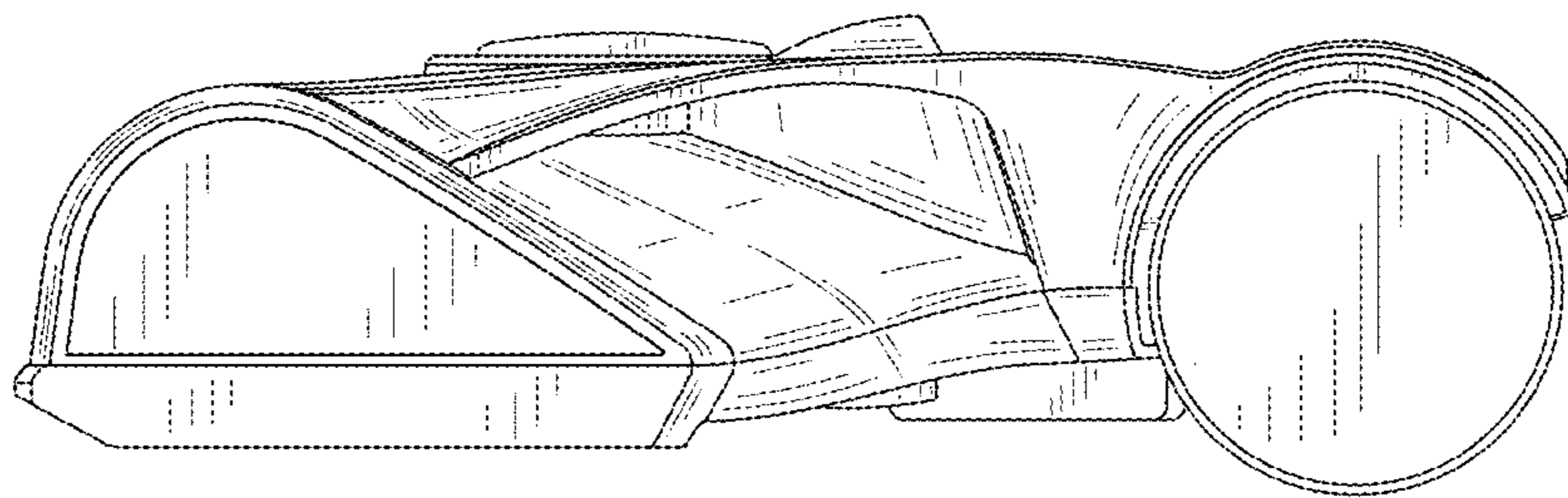


FIG. 5

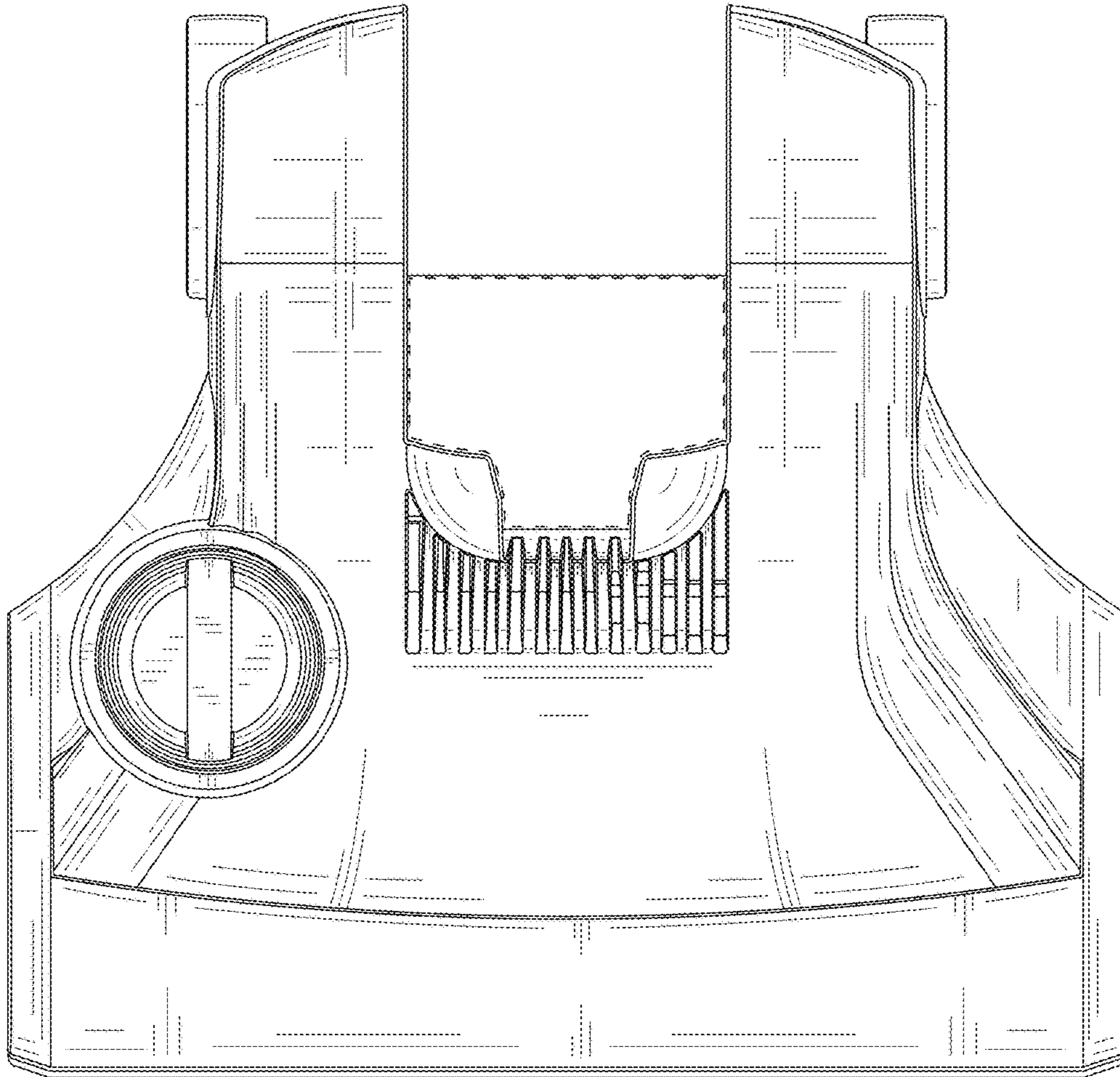


FIG. 6