



US00D780392S

(12) **United States Design Patent**
Mikula et al.

(10) **Patent No.:** **US D780,392 S**

(45) **Date of Patent:** **** Feb. 28, 2017**

(54) **ACCESSORY TOOL FOR A FLOOR CARE APPLIANCE**

(71) Applicant: **BISSELL Homecare, Inc.**, Grand Rapids, MI (US)

(72) Inventors: **Jacob Mikula**, Grand Rapids, MI (US);
Adam G. Carr, Ada, MI (US)

(73) Assignee: **BISSELL Homecare, Inc.**, Grand Rapids, MI (US)

(**) Term: **15 Years**

(21) Appl. No.: **29/545,542**

(22) Filed: **Nov. 13, 2015**

(51) **LOC (10) Cl.** **15-05**

(52) **U.S. Cl.**
USPC **D32/32**

(58) **Field of Classification Search**
USPC D32/31-33, 17
CPC D06F 87/00; A47L 5/24; A47L 11/34;
A47L 11/4044; A47L 11/4086; A47L
9/02; A47L 9/0461; A47L 9/0693; A47L
9/06; A47L 7/009
See application file for complete search history.

(56) **References Cited**

U.S. PATENT DOCUMENTS

D239,243 S * 3/1976 Hachtmann et al. D32/32
4,159,554 A * 7/1979 Knight A47L 11/34
15/321

D266,962 S * 11/1982 Hachtmann D32/33
D519,696 S * 4/2006 Adams D32/33
D590,112 S * 4/2009 Sun D32/32
D603,570 S * 11/2009 Svantesson D32/32
D621,112 S * 8/2010 Benacquisto D32/33
D621,566 S * 8/2010 Crawley D32/33
D701,011 S * 3/2014 Miller D32/32
D750,858 S * 3/2016 Aramli D23/213
2013/0318741 A1 * 12/2013 Moyher, Jr. A47L 5/362
15/327.1

* cited by examiner

Primary Examiner — Ruth McInroy

(74) *Attorney, Agent, or Firm* — McGarry Bair PC

(57) **CLAIM**

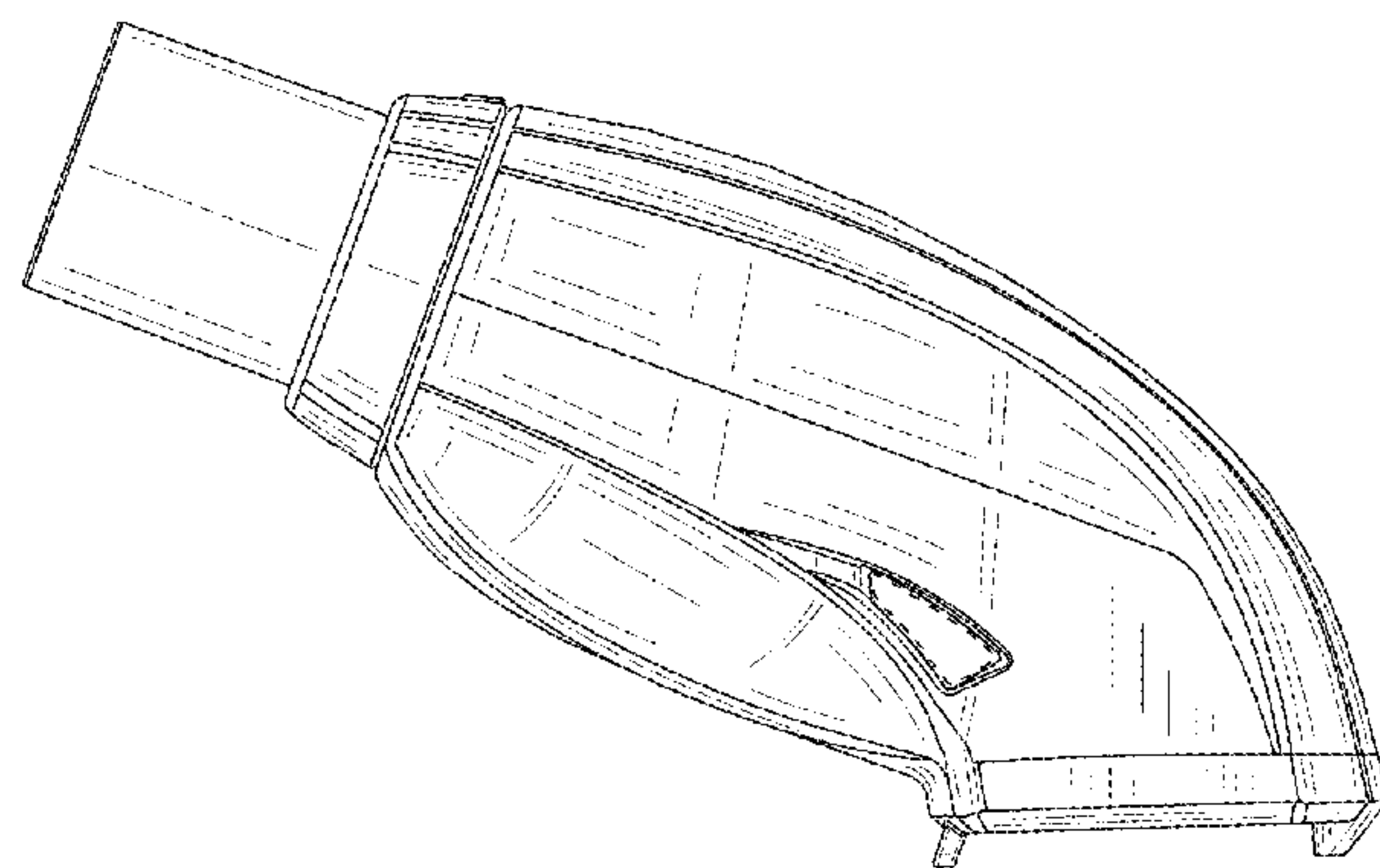
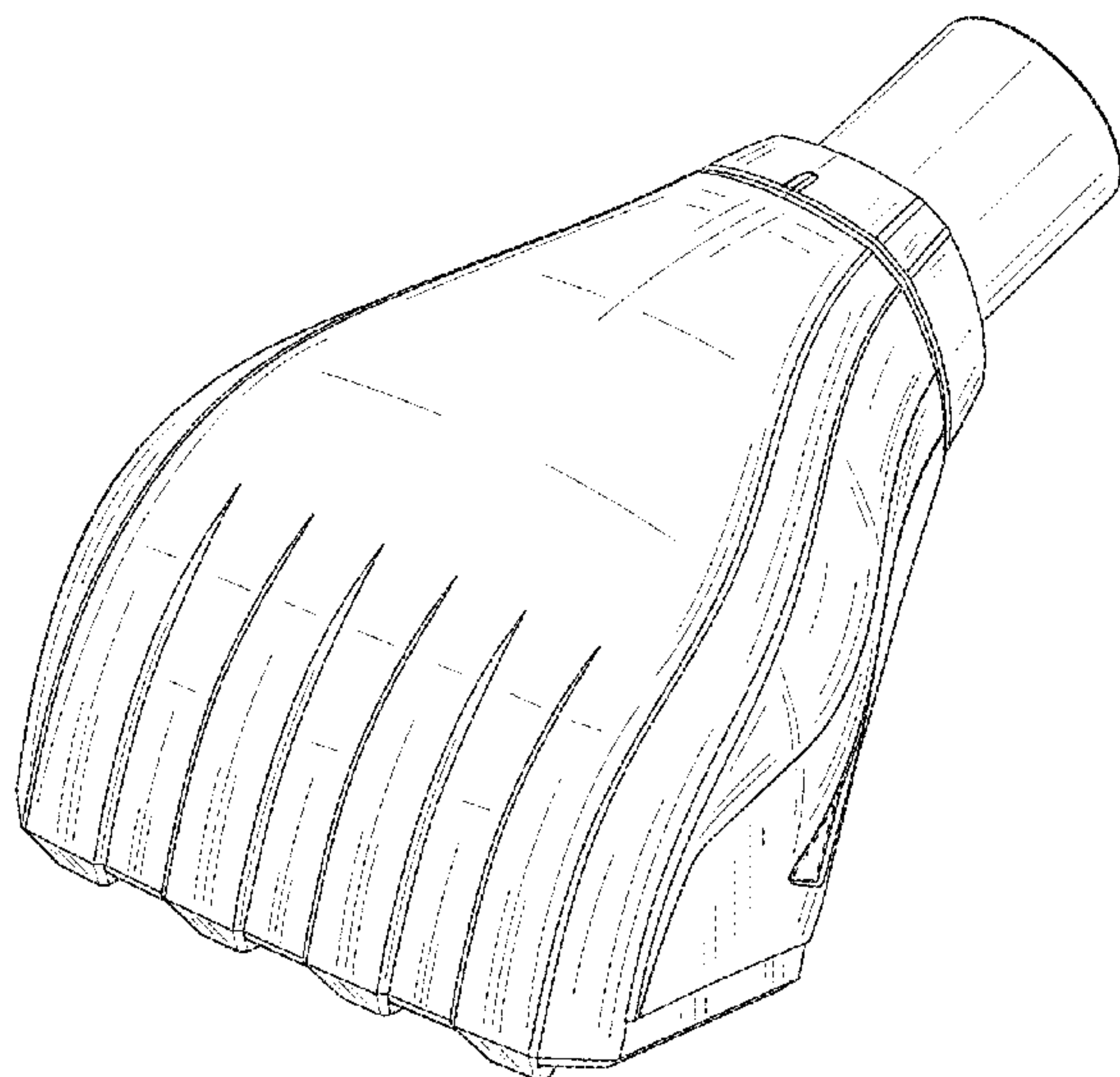
The ornamental design for an accessory tool for a floor care appliance, as shown and described.

DESCRIPTION

FIG. 1 is a perspective view of an accessory tool for a floor care appliance showing our new design;
FIG. 2 is a front view thereof;
FIG. 3 is a rear view thereof;
FIG. 4 is a left side view thereof, the right side being a mirror image;
FIG. 5 is a top view thereof; and,
FIG. 6 is a bottom view thereof.

The broken lines shown in the drawings are included for illustrative purposes only and form no part of the claimed design.

1 Claim, 4 Drawing Sheets



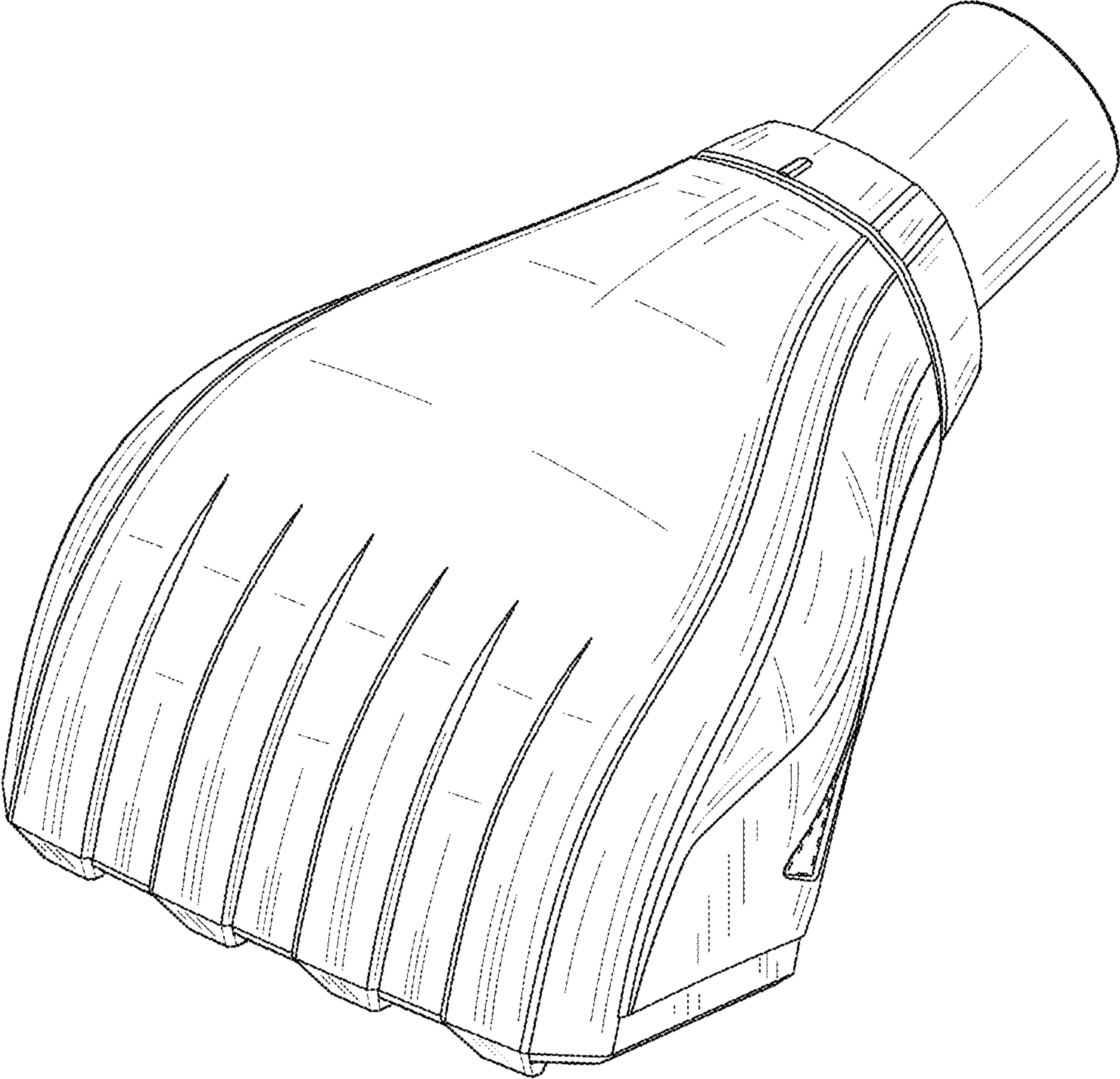


FIG. 1

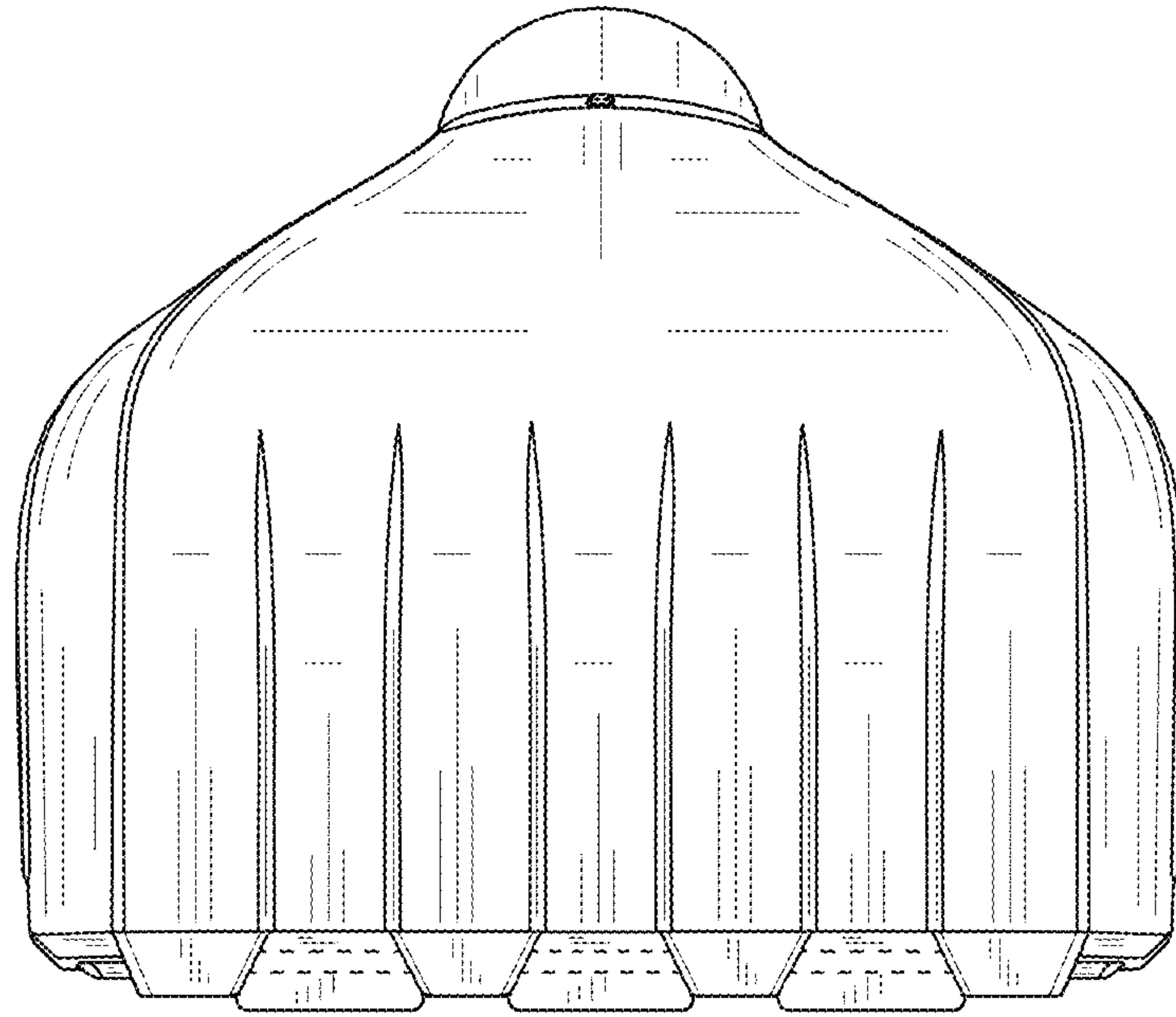


FIG. 2

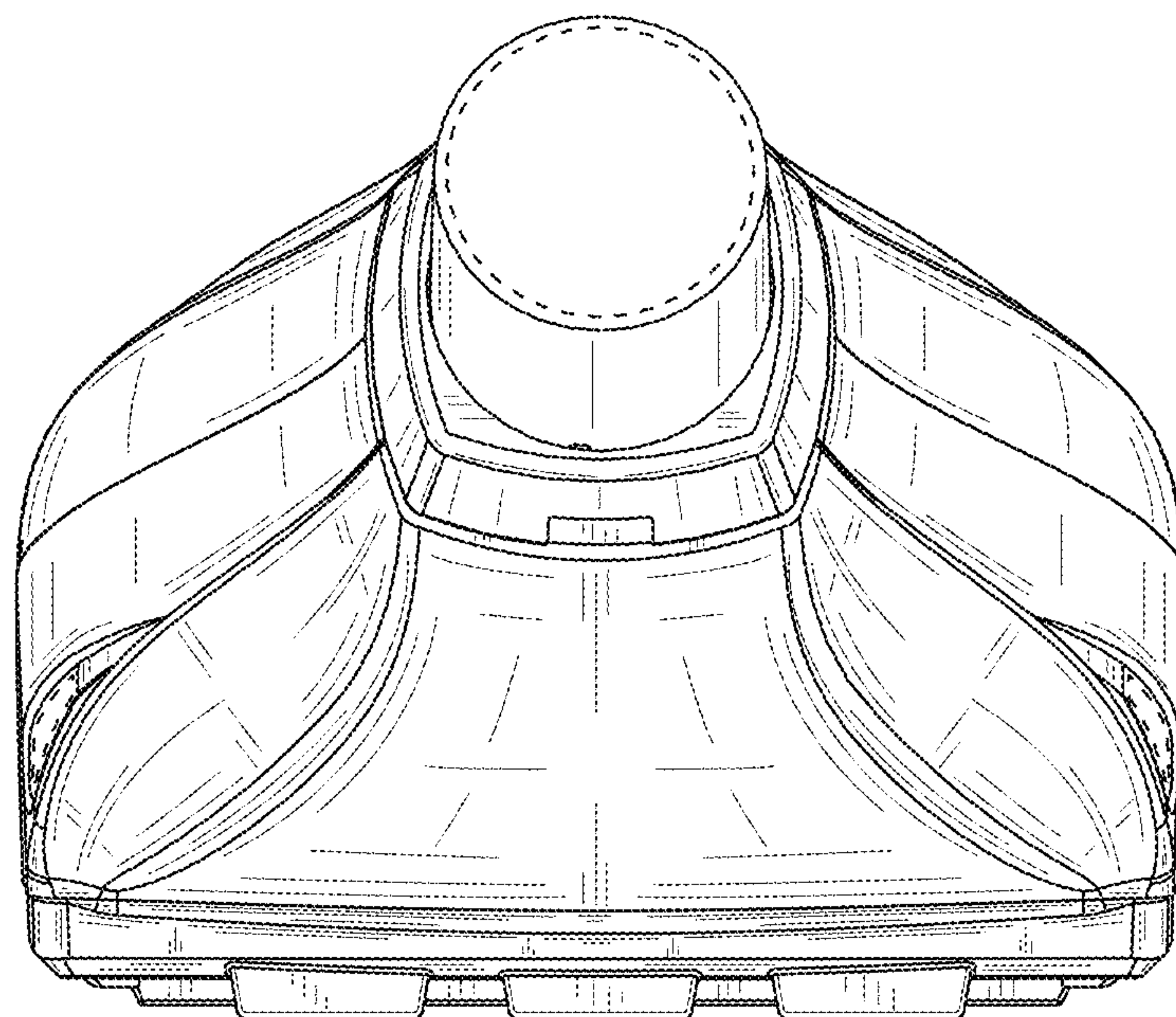


FIG. 3

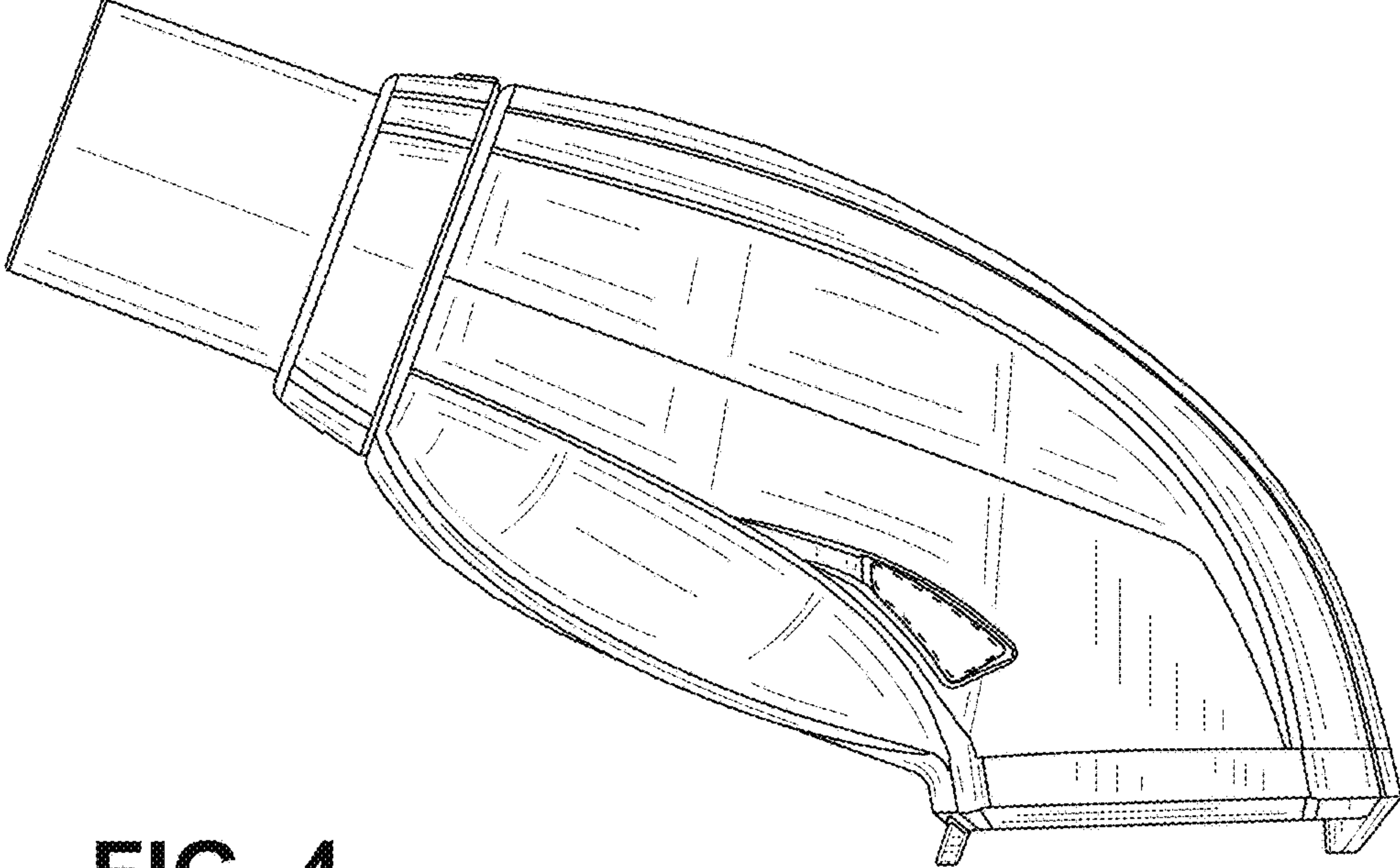


FIG. 4

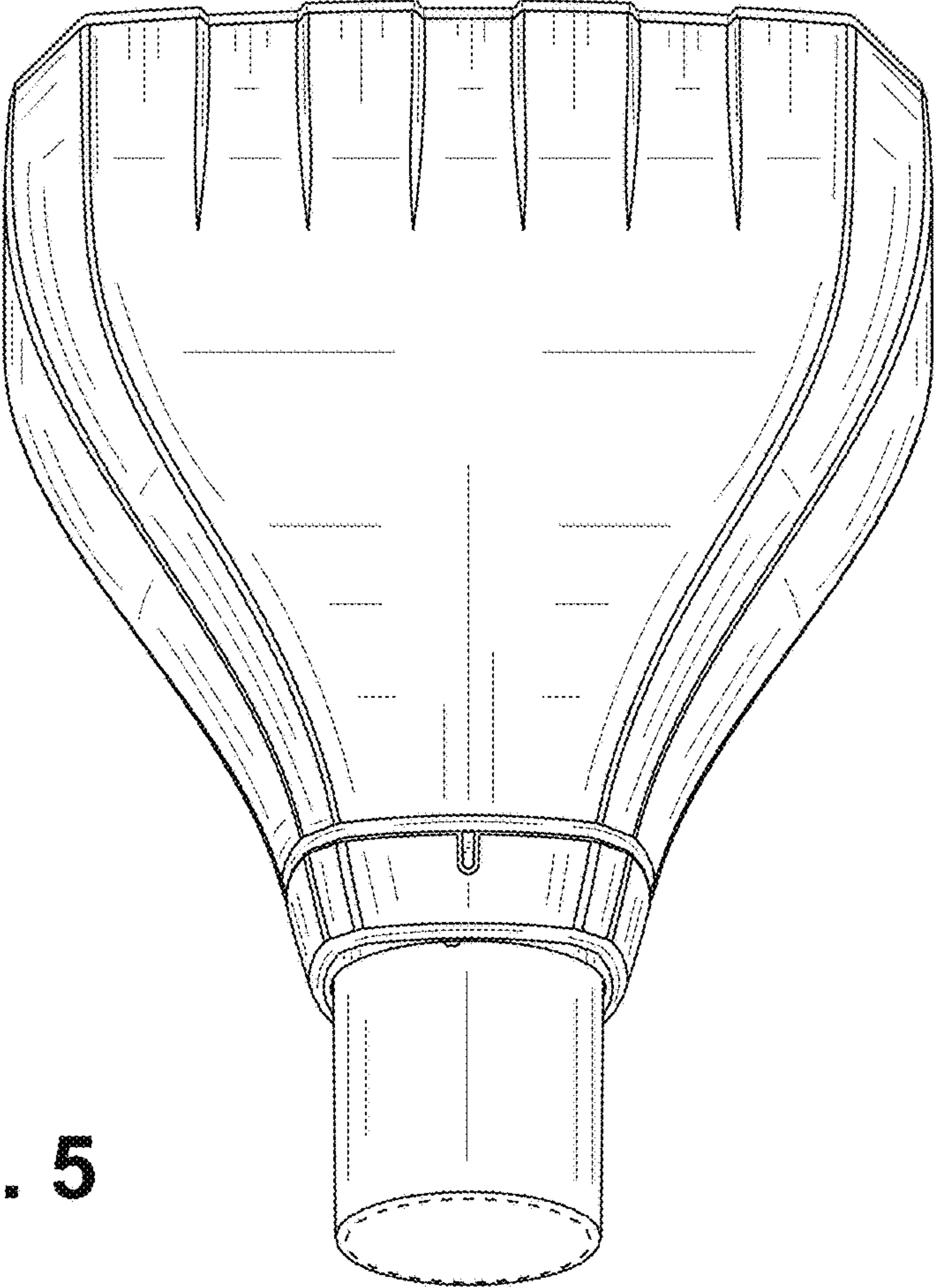


FIG. 5

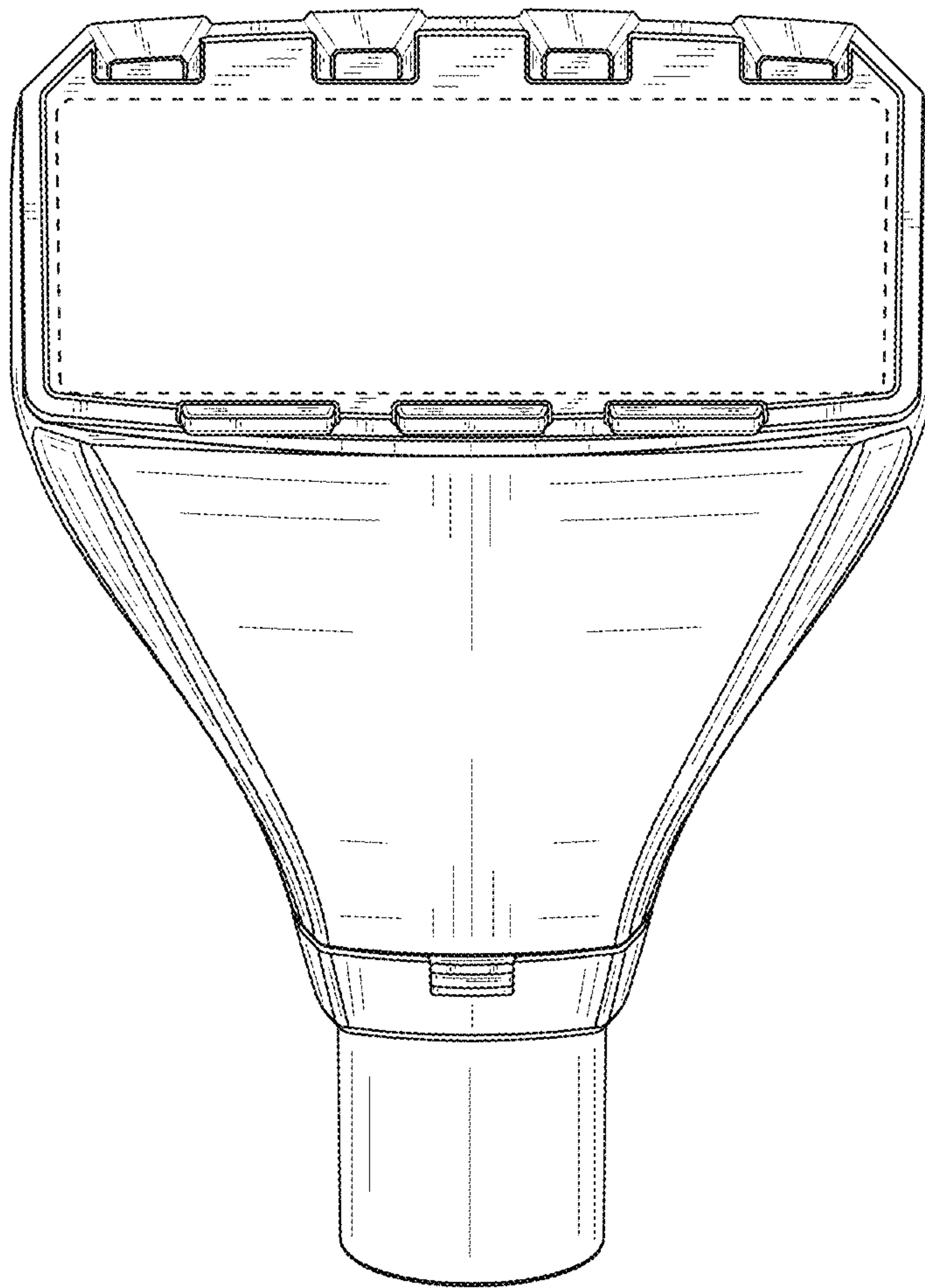


FIG. 6