



US00D780388S

(12) **United States Design Patent**  
**Ninomiya**

(10) **Patent No.:** **US D780,388 S**

(45) **Date of Patent:** **\*\* Feb. 28, 2017**

(54) **CONTROLLER FOR AN AUTONOMOUS  
COVERAGE VACUUM CLEANER**

(71) Applicant: **Toshiba Lifestyle Products & Services  
Corporation, Tokyo (JP)**

(72) Inventor: **Masato Ninomiya, Tokyo (JP)**

(73) Assignee: **Toshiba Lifestyle Products & Services  
Corporation, Tokyo (JP)**

(\*\*) Term: **14 Years**

(21) Appl. No.: **29/516,310**

(22) Filed: **Jan. 30, 2015**

(30) **Foreign Application Priority Data**

Aug. 1, 2014 (JP) ..... 2014-016894

(51) **LOC (10) Cl.** ..... **15-05**

(52) **U.S. Cl.**  
USPC ..... **D32/21**

(58) **Field of Classification Search**  
USPC ..... D32/25, 28, 21, 18, 31; D10/104.1,  
D10/106.1, 106.6, 114.6, 106.8, 70;  
D13/167, D13/168, 171; 15/339; D24/186  
CPC ..... A47L 11/40; A47L 11/24; A47L 19/02;  
B60Q 1/04  
See application file for complete search history.

(56) **References Cited**

**U.S. PATENT DOCUMENTS**

D516,446 S \* 3/2006 Chen ..... D10/106.1  
D612,814 S \* 3/2010 Nishikawa ..... D13/168  
D639,194 S \* 6/2011 Kaufman ..... D10/106.8

D639,195 S \* 6/2011 Kaufman ..... D10/106.8  
D659,036 S \* 5/2012 Madsen ..... D10/65  
D667,382 S \* 9/2012 Cosentino ..... D13/168  
D686,931 S \* 7/2013 Kaufman ..... D10/106.8  
D686,932 S \* 7/2013 Kaufman ..... D10/106.8  
D687,392 S \* 8/2013 McCullar ..... D13/168  
D714,230 S \* 9/2014 Sun ..... D13/171  
D719,533 S \* 12/2014 Lin ..... D13/162  
D721,658 S \* 1/2015 Lin ..... D13/162  
D737,163 S \* 8/2015 Yamamoto ..... D10/106.6  
D748,273 S \* 1/2016 Chang ..... D24/186  
D766,756 S \* 9/2016 Franc ..... D10/70  
2013/0152333 A1 \* 6/2013 Reed ..... A47L 9/2857  
15/339  
2014/0101887 A1 \* 4/2014 Reed ..... A47L 9/2857  
15/339  
2016/0278599 A1 \* 9/2016 Seo ..... A47L 9/2826  
2016/0309974 A1 \* 10/2016 Abe ..... A47L 9/28

\* cited by examiner

*Primary Examiner* — Manpreet Matharu

*Assistant Examiner* — Yolanda Robinson

(74) *Attorney, Agent, or Firm* — Banner & Witcoff, Ltd.

(57) **CLAIM**

The ornamental design for a controller for an autonomous coverage vacuum cleaner, as shown and described.

**DESCRIPTION**

FIG. 1 is a perspective view of a controller for an autonomous coverage vacuum cleaner showing my new design, FIG. 2 is a front elevational view thereof, FIG. 3 is a rear elevational view thereof, FIG. 4 is a right side elevational view thereof, FIG. 5 is a top plan view thereof; and, FIG. 6 is a bottom plan view thereof.

**1 Claim, 5 Drawing Sheets**

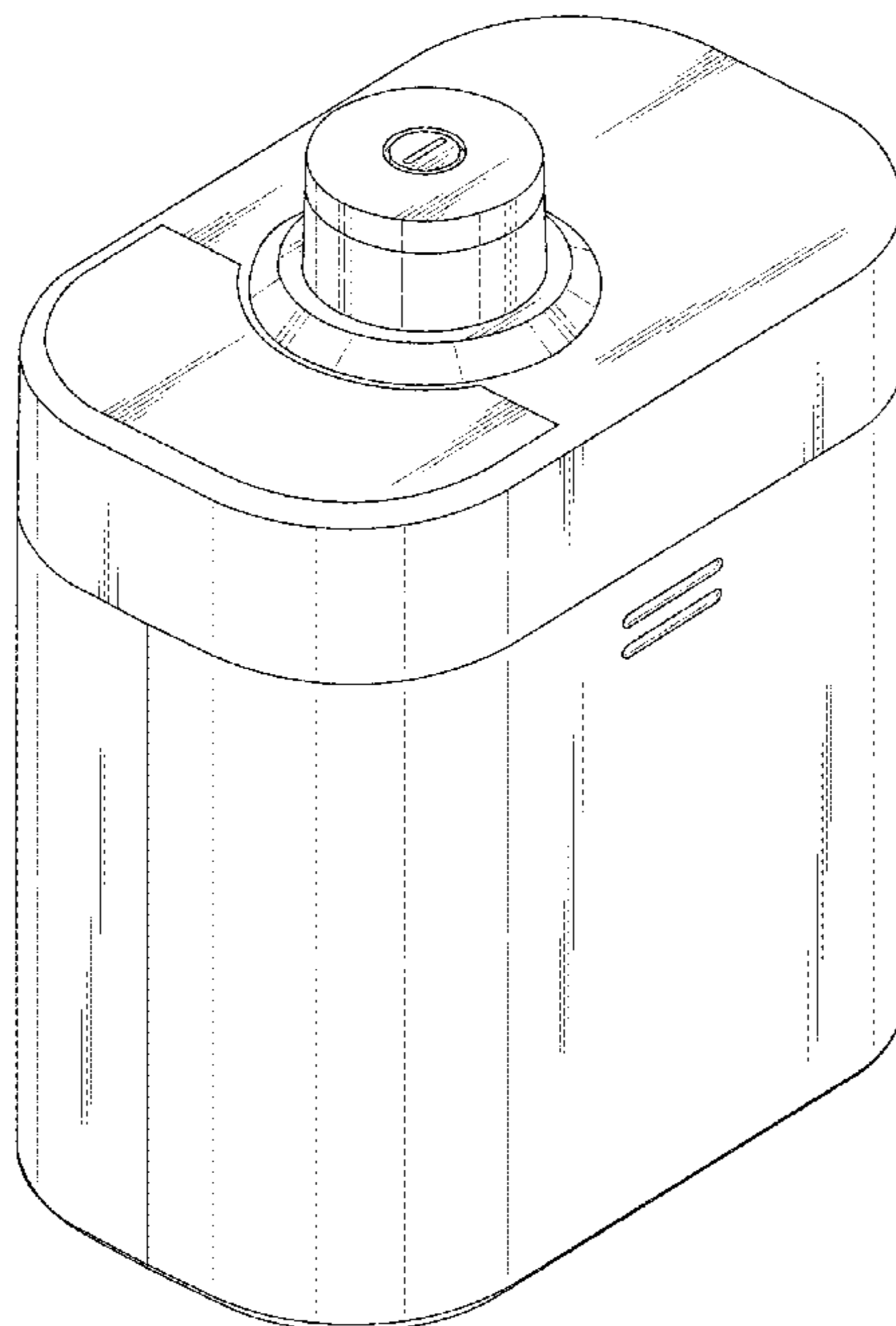


Fig. 1

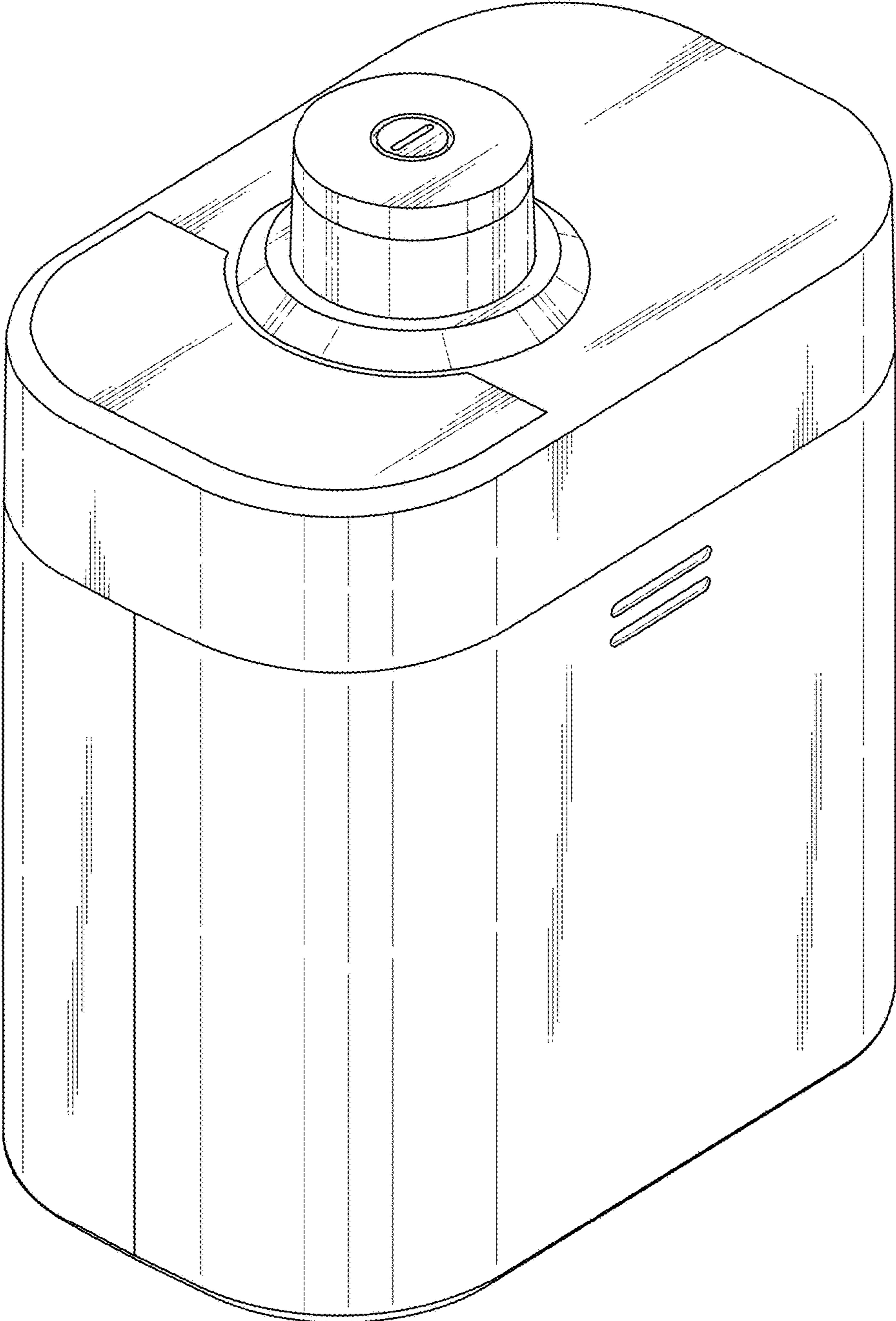


Fig. 2

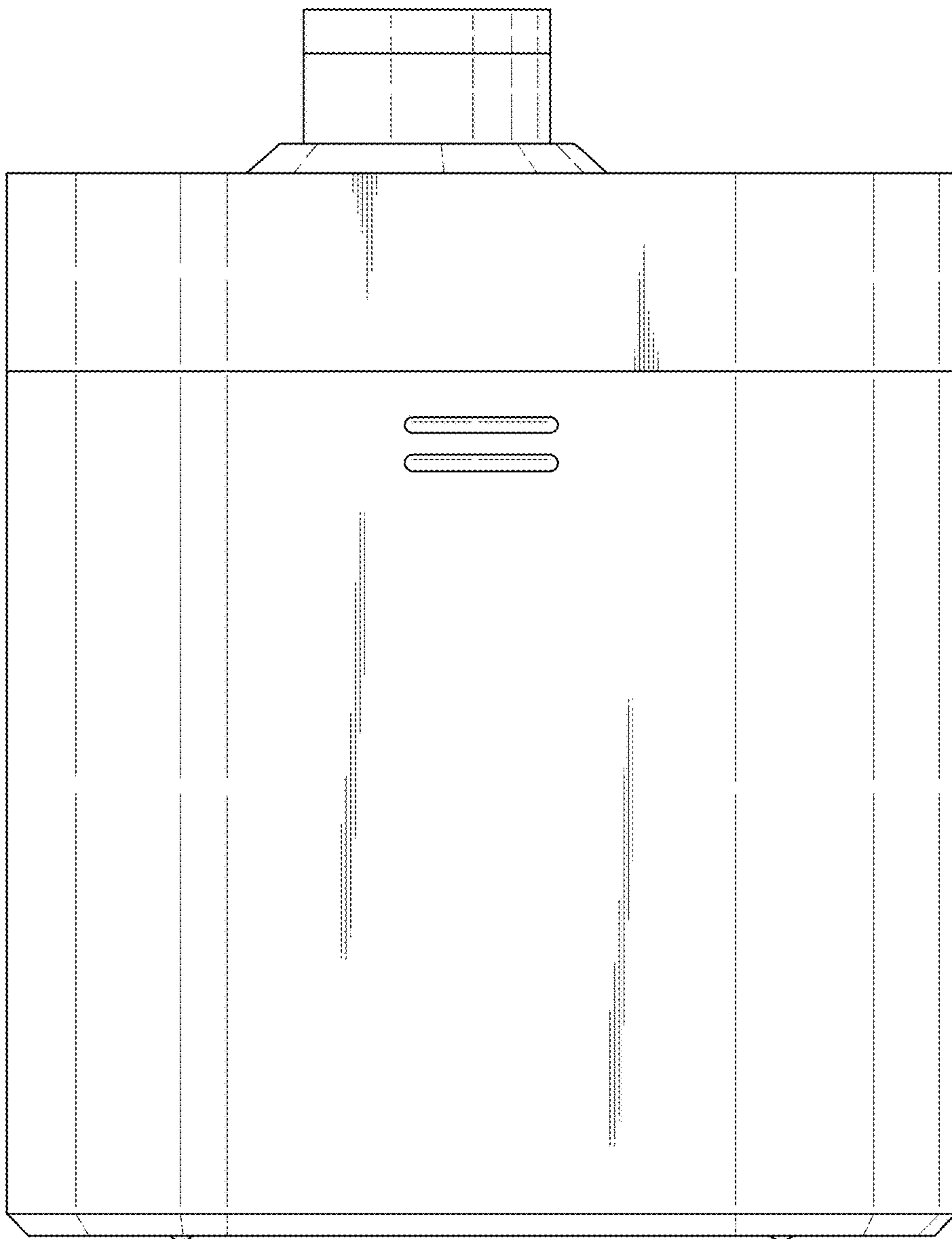


Fig. 3

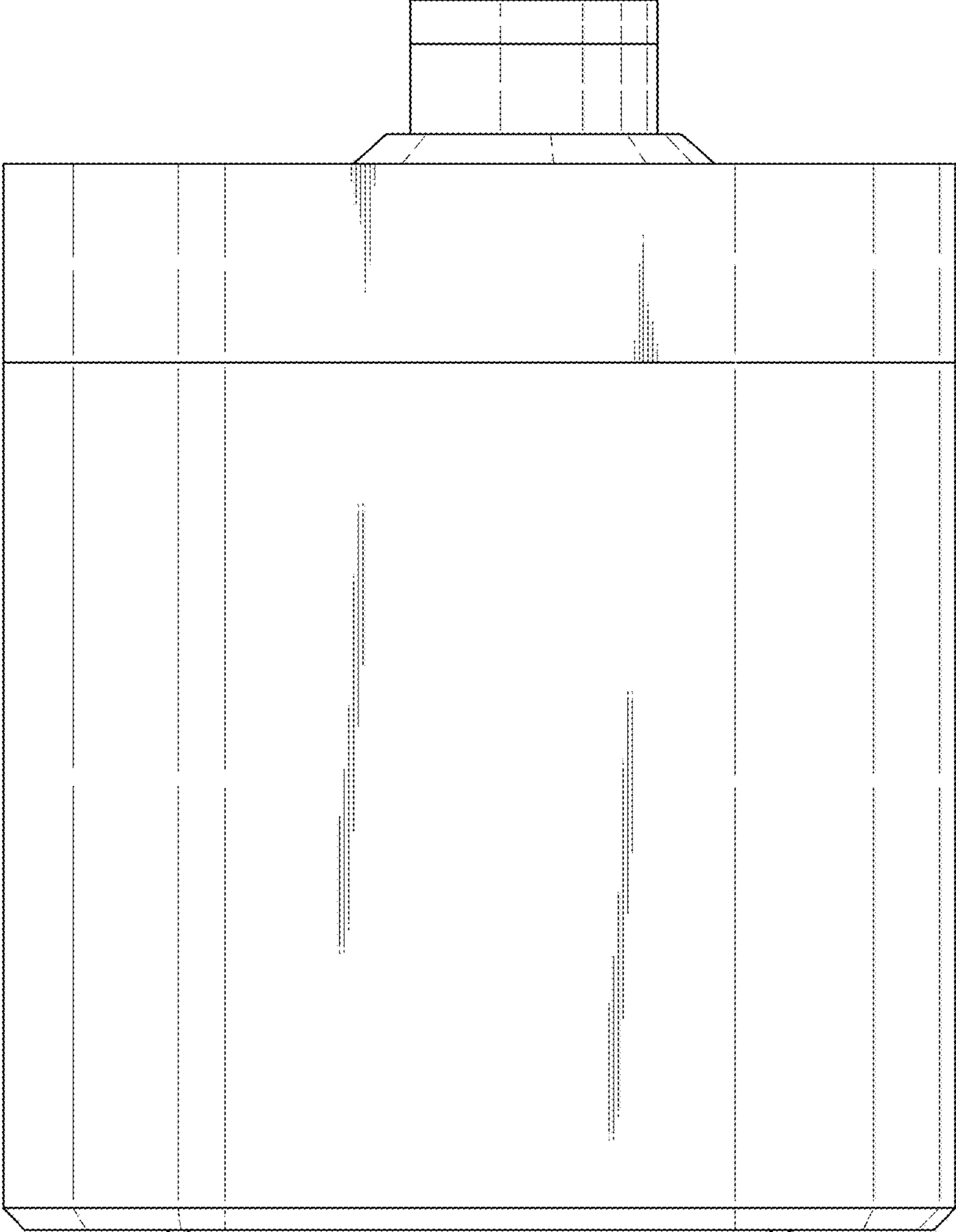


Fig. 4

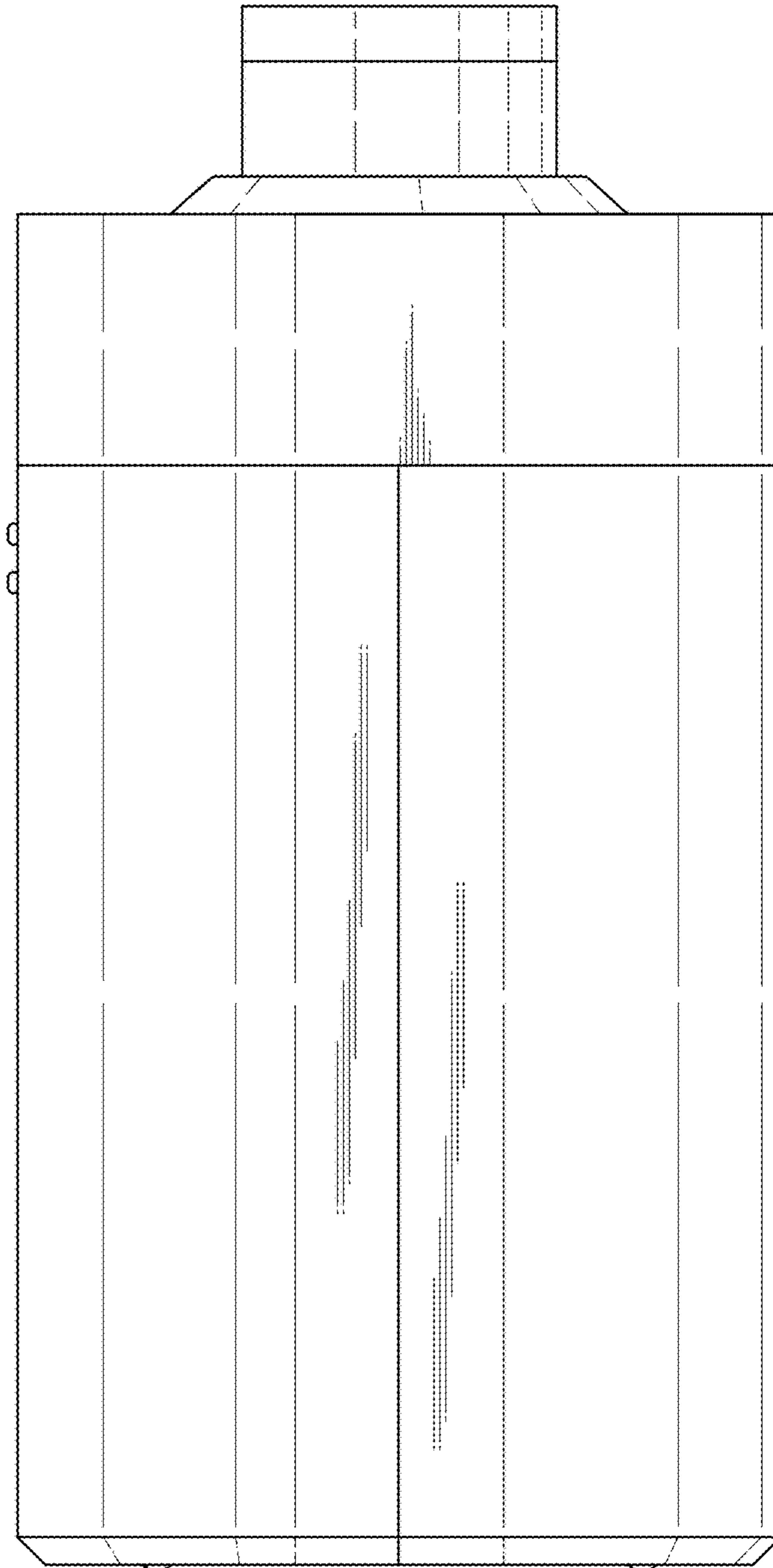


Fig. 5

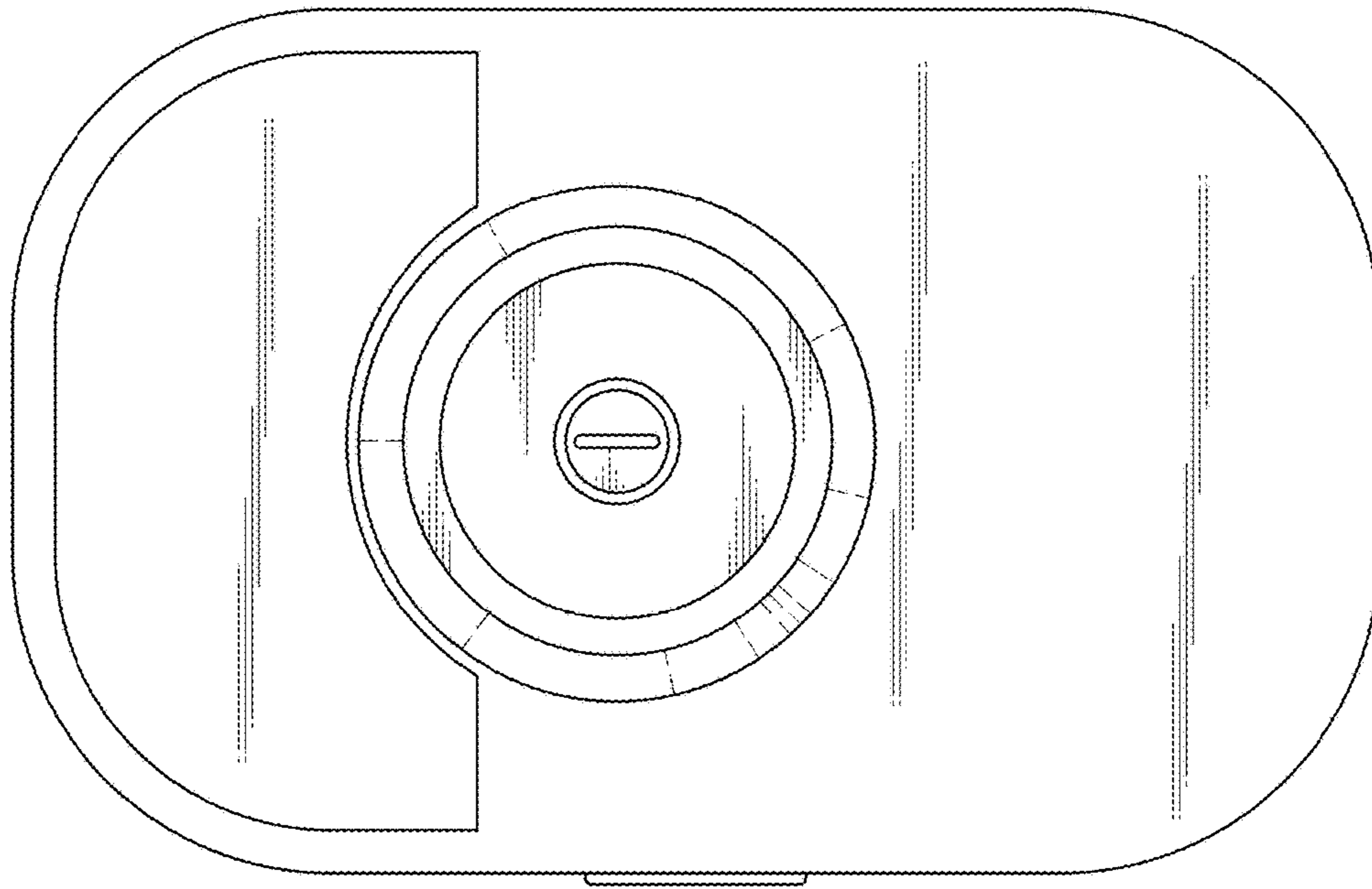


Fig. 6

