



US00D780387S

(12) **United States Design Patent**  
**Bu et al.**

(10) **Patent No.:** **US D780,387 S**  
(45) **Date of Patent:** **\*\* Feb. 28, 2017**

(54) **VACUUM CLEANER**

(71) Applicant: **Samsung Electronics Co., Ltd.**,  
Suwon-si, Gyeonggi-do (KR)

(72) Inventors: **Minhyouk Bu**, Seoul (KR); **Sanghun Yoon**, Seoul (KR); **Cheolyeon Jo**, Seoul (KR); **Jaewon Choi**, Seoul (KR)

(73) Assignee: **SAMSUNG ELECTRONICS CO., LTD.**, Suwon-si, Gyeonggi-Do (KR)

(\*\*) Term: **15 Years**

(21) Appl. No.: **29/530,027**

(22) Filed: **Jun. 12, 2015**

(30) **Foreign Application Priority Data**

Dec. 18, 2014 (KR) ..... 30-2014-0061935

(51) **LOC (10) Cl.** ..... **15-05**

(52) **U.S. Cl.**  
USPC ..... **D32/18**

(58) **Field of Classification Search**  
USPC ..... D32/17-18, 21, 31  
CPC ..... A47L 5/24; A47L 5/28; A47L 7/0038  
See application file for complete search history.

(56) **References Cited**

**U.S. PATENT DOCUMENTS**

D528,253 S \* 9/2006 Wu ..... D32/18  
D541,495 S \* 4/2007 DiPasquale ..... D32/18  
D731,720 S \* 6/2015 Gidwell ..... D32/18  
D743,123 S \* 11/2015 Chu ..... D32/18  
D745,231 S \* 12/2015 Niedzwecki ..... D32/18

D749,283 S \* 2/2016 Kim ..... D32/18  
2016/0113455 A1 \* 4/2016 Horvath ..... A47L 9/12  
15/344  
2016/0128527 A1 \* 5/2016 Grey ..... A47L 5/24  
15/344

**FOREIGN PATENT DOCUMENTS**

EM 001361141-0003 2/2013

**OTHER PUBLICATIONS**

<http://www.bedbathandbeyond.com/store/product/shark-reg-rocket-ultra-light-upright-stick-vacuum/1041747186>.  
<http://www.motherhoodunadorned.com/2014/02/06/review-dyson-animal-bagless-cordless-stick-vacuum/>.

\* cited by examiner

*Primary Examiner* — Ruth McInroy

(74) *Attorney, Agent, or Firm* — Ladas & Parry LLP

(57) **CLAIM**

We claim the ornamental design for a vacuum cleaner, as shown and described.

**DESCRIPTION**

FIG. 1 is the front perspective view of a vacuum cleaner showing our new design;  
FIG. 2 is the front view thereof;  
FIG. 3 is the rear view thereof;  
FIG. 4 is the left-side view thereof;  
FIG. 5 is the right-side view thereof;  
FIG. 6 is the top plan view thereof;  
FIG. 7 is the bottom plan view thereof; and,  
FIG. 8 is a rear bottom view thereof.  
The broken lines in the drawing show unclaimed environment only and form no part of the claimed design.

**1 Claim, 8 Drawing Sheets**

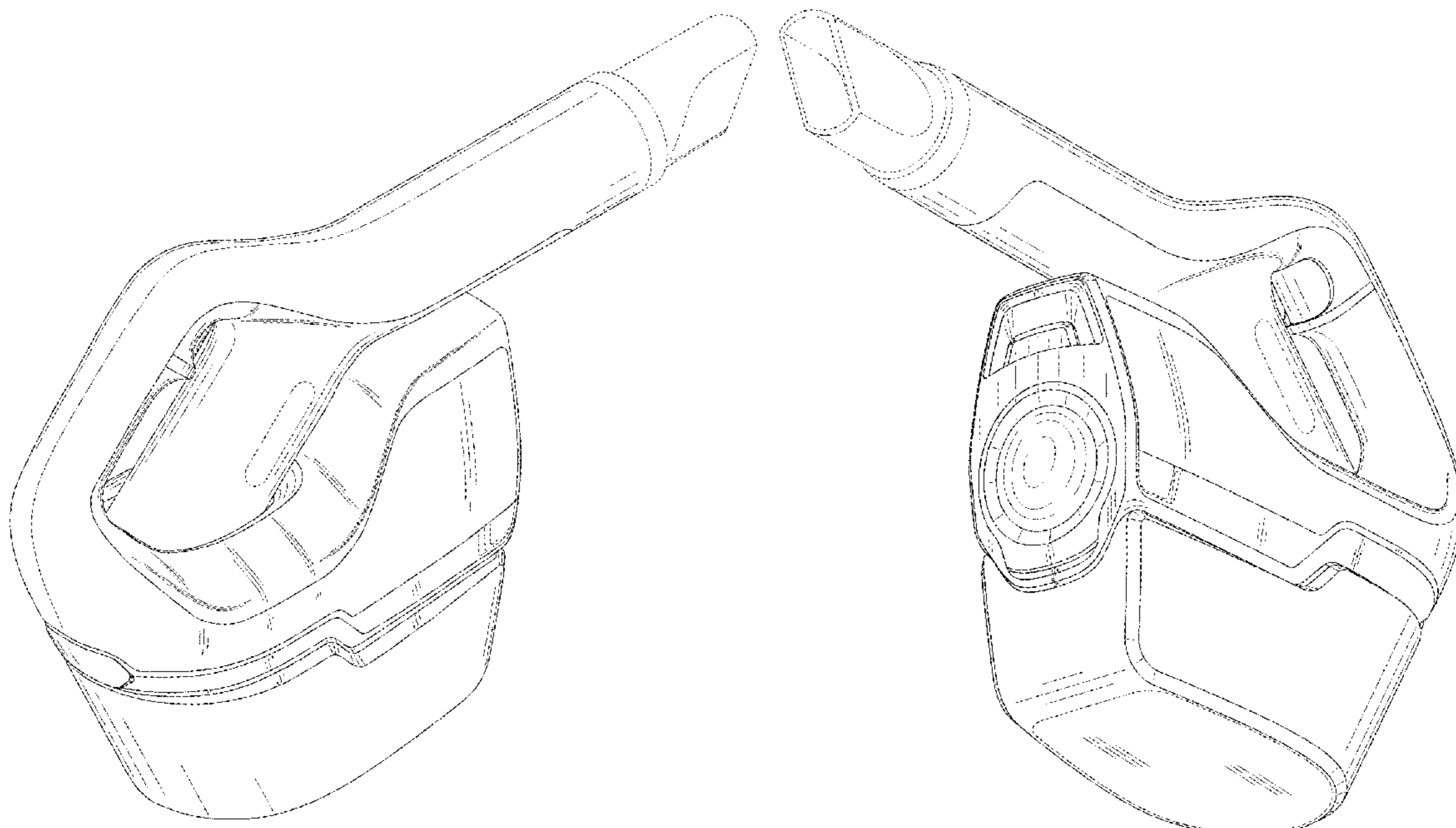


FIG. 1

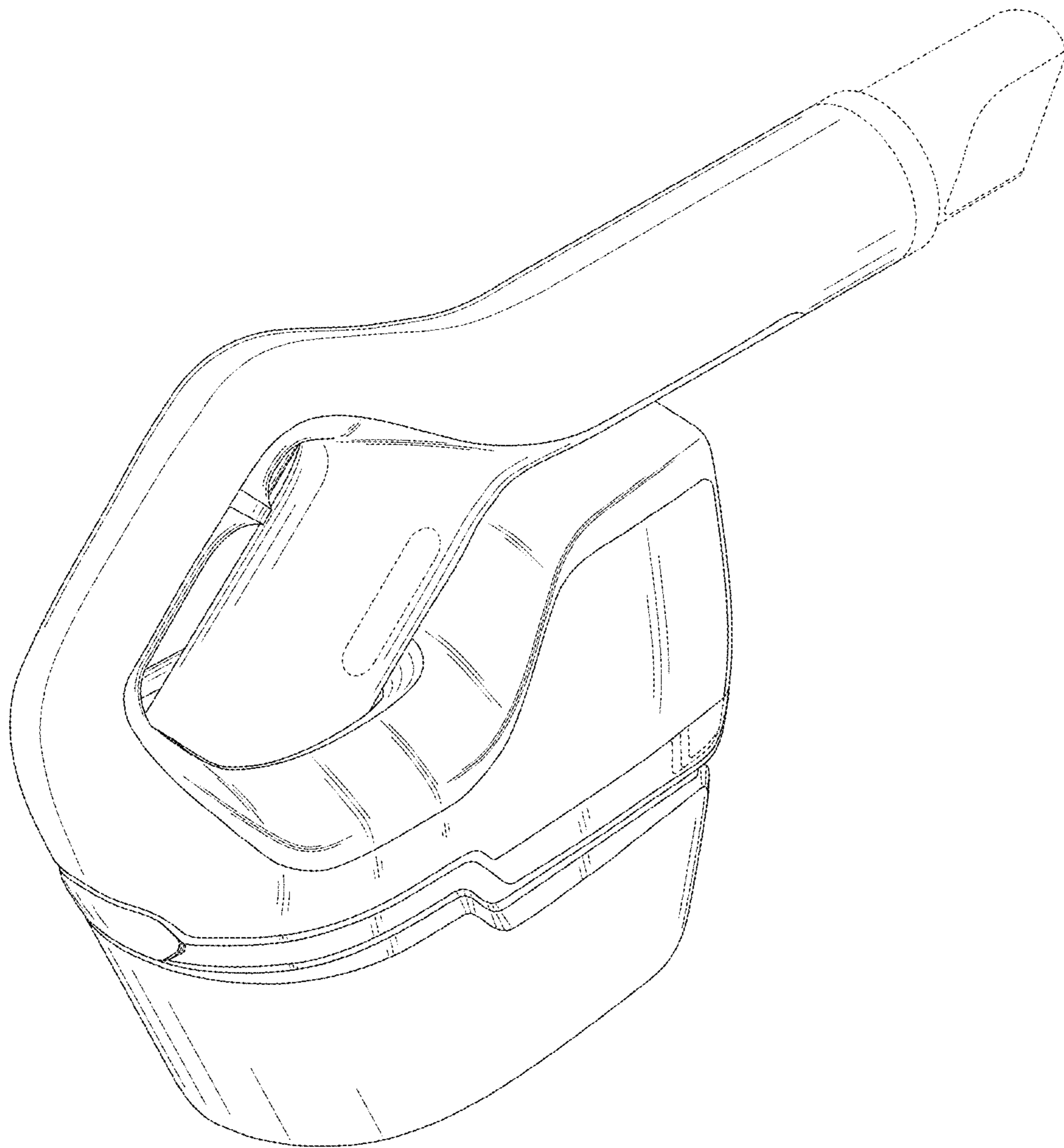


FIG. 2

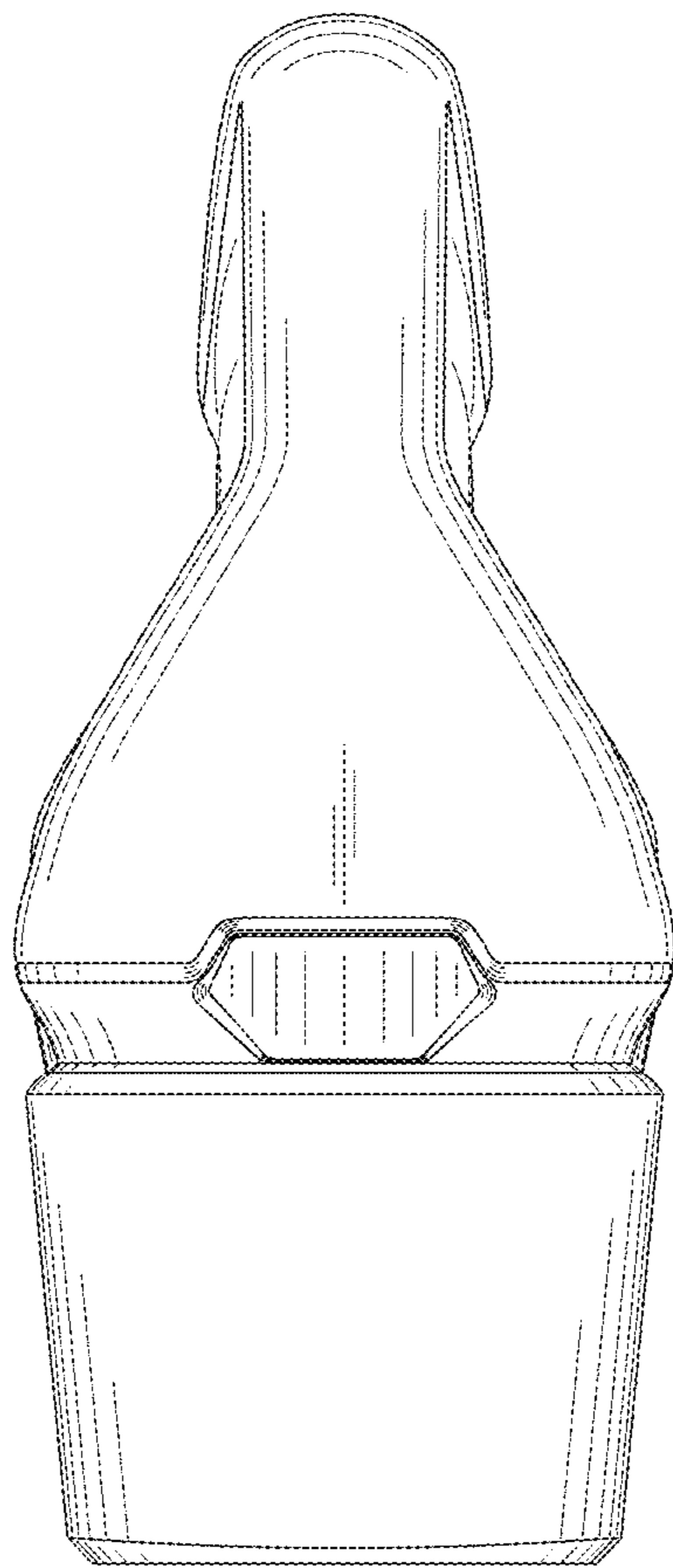


FIG. 3

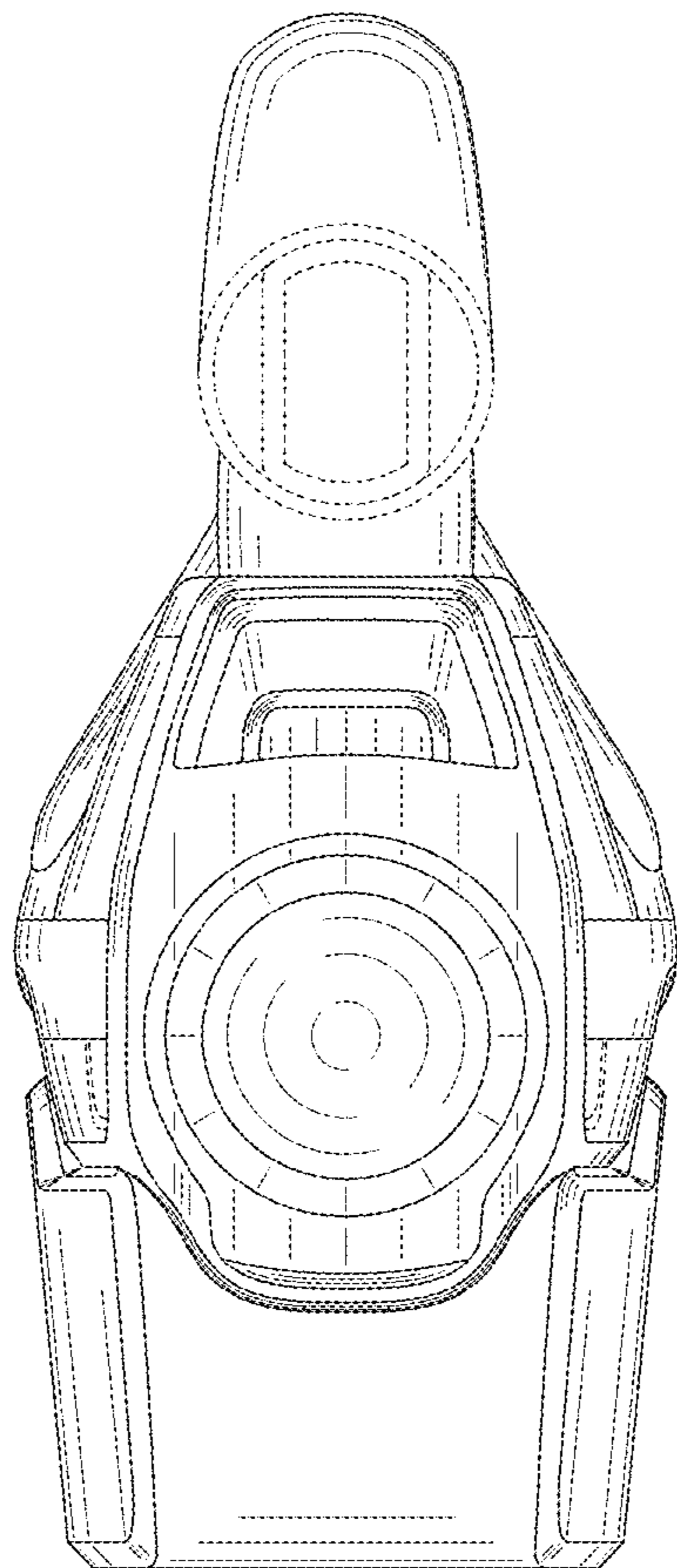


FIG. 4

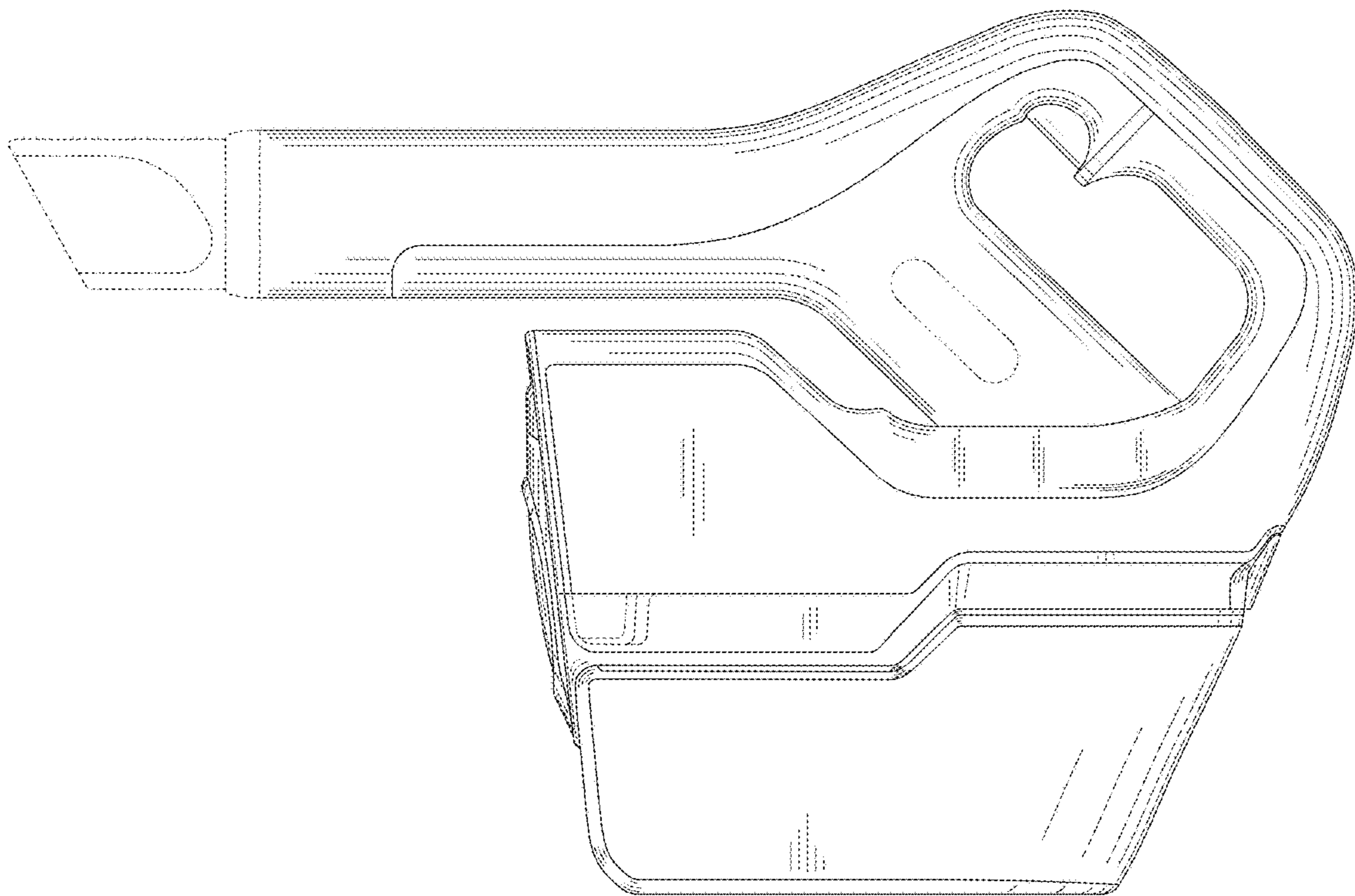


FIG. 5

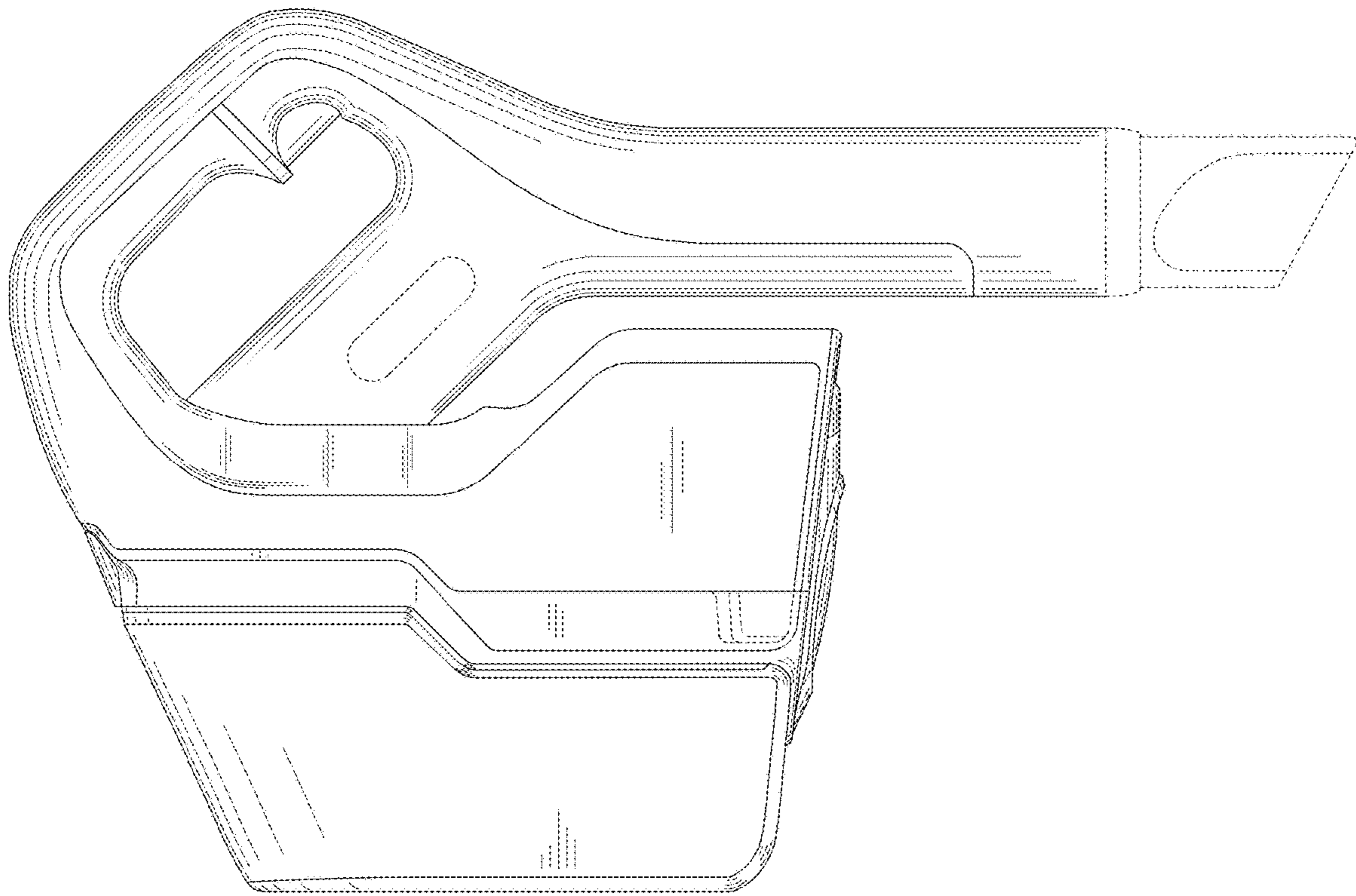


FIG. 6

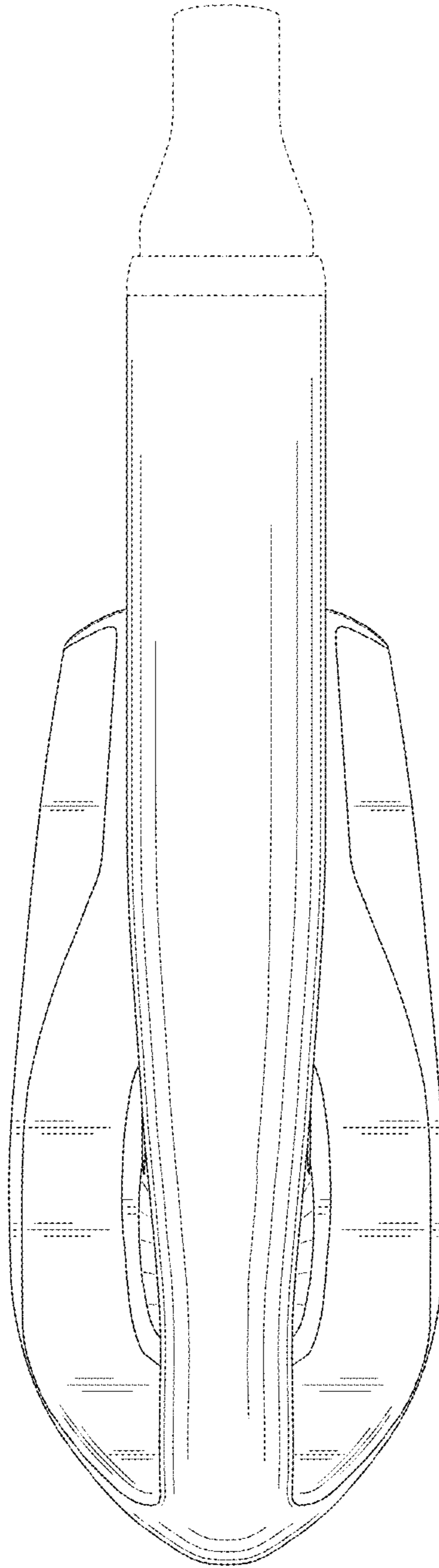


FIG. 7

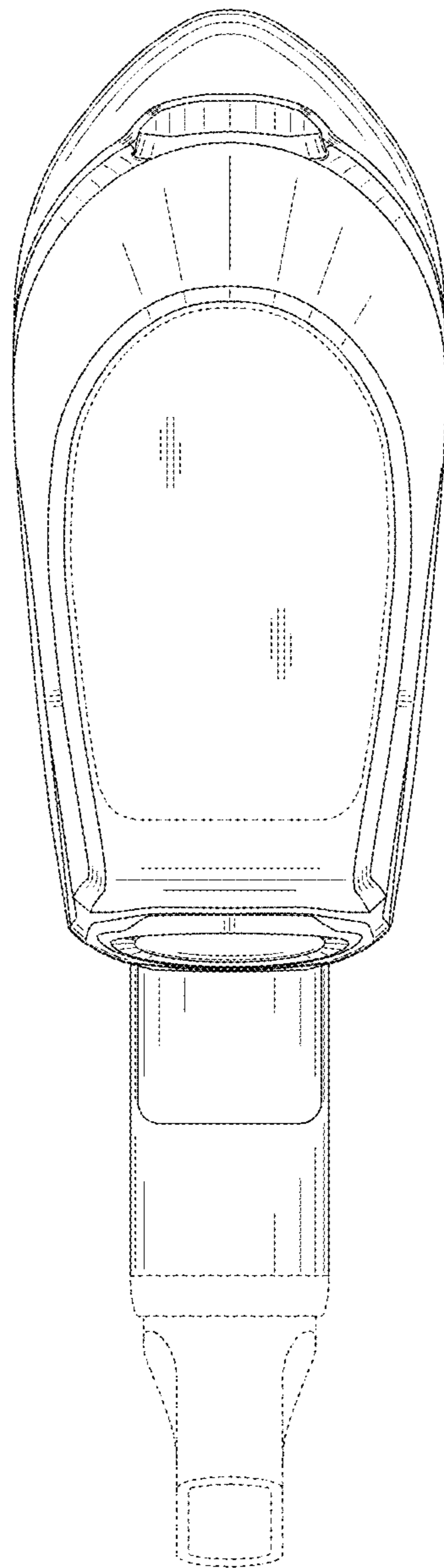




FIG. 8

