



US00D780386S

(12) **United States Design Patent** (10) **Patent No.:** **US D780,386 S**  
**Lee** (45) **Date of Patent:** **\*\* \*Feb. 28, 2017**

(54) **WASHING MACHINE**  
(71) Applicant: **LG ELECTRONICS INC.**, Seoul (KR)  
(72) Inventor: **Dongsoo Lee**, Seoul (KR)  
(73) Assignee: **LG ELECTRONICS INC.**, Seoul (KR)  
(\* ) Notice: This patent is subject to a terminal disclaimer.  
(\*\*) Term: **15 Years**  
(21) Appl. No.: **29/545,173**  
(22) Filed: **Nov. 10, 2015**

(30) **Foreign Application Priority Data**  
Jun. 17, 2015 (KR) ..... 30-2015-0030622  
(51) **LOC (10) Cl.** ..... **15-05**  
(52) **U.S. Cl.**  
USPC ..... **D32/6**  
(58) **Field of Classification Search**  
USPC ..... D32/1, 5, 6, 8, 11, 12, 25, 28, 29  
CPC .... D06F 33/02; D06F 39/02; D06F 2204/065;  
D06F 25/00; D06F 35/006; D06F 58/00;  
D06F 58/02; D06F 58/04; D06F  
58/20; D06F 23/04; G05B 19/042  
See application file for complete search history.

(56) **References Cited**  
U.S. PATENT DOCUMENTS  
D220,403 S \* 4/1971 Tipps ..... D32/11  
D465,622 S \* 11/2002 Wang ..... D32/6  
D515,257 S \* 2/2006 Geyer ..... D32/6  
D517,256 S \* 3/2006 Kim ..... D32/6  
D524,493 S \* 7/2006 Choi ..... D32/6  
D531,765 S \* 11/2006 Schoene ..... D32/8

D536,143 S \* 1/2007 Takase ..... D32/5  
D566,347 S \* 4/2008 Cao ..... D32/1  
D575,913 S \* 8/2008 Jeon ..... D32/6  
D589,216 S \* 3/2009 Park ..... D32/6  
D706,999 S \* 6/2014 Cho ..... D32/6  
D729,996 S \* 5/2015 Hwang ..... D32/6  
D730,596 S \* 5/2015 Kim ..... D32/6  
D731,131 S \* 6/2015 Ha ..... D32/25  
D731,719 S \* 6/2015 Borjesson ..... D32/6  
D732,250 S \* 6/2015 Borjesson ..... D32/6  
D732,767 S \* 6/2015 Ha ..... D32/25  
D739,095 S \* 9/2015 Shu ..... D32/6  
D753,353 S \* 4/2016 Kim ..... D32/6  
D759,909 S \* 6/2016 Kim ..... D32/6  
9,416,475 B2 \* 8/2016 Kulkarni ..... D06F 25/00  
2016/0017530 A1 \* 1/2016 Choi ..... D06F 37/267  
312/326  
2016/0177491 A1 \* 6/2016 Da Pont ..... D06F 39/02  
222/135

(Continued)

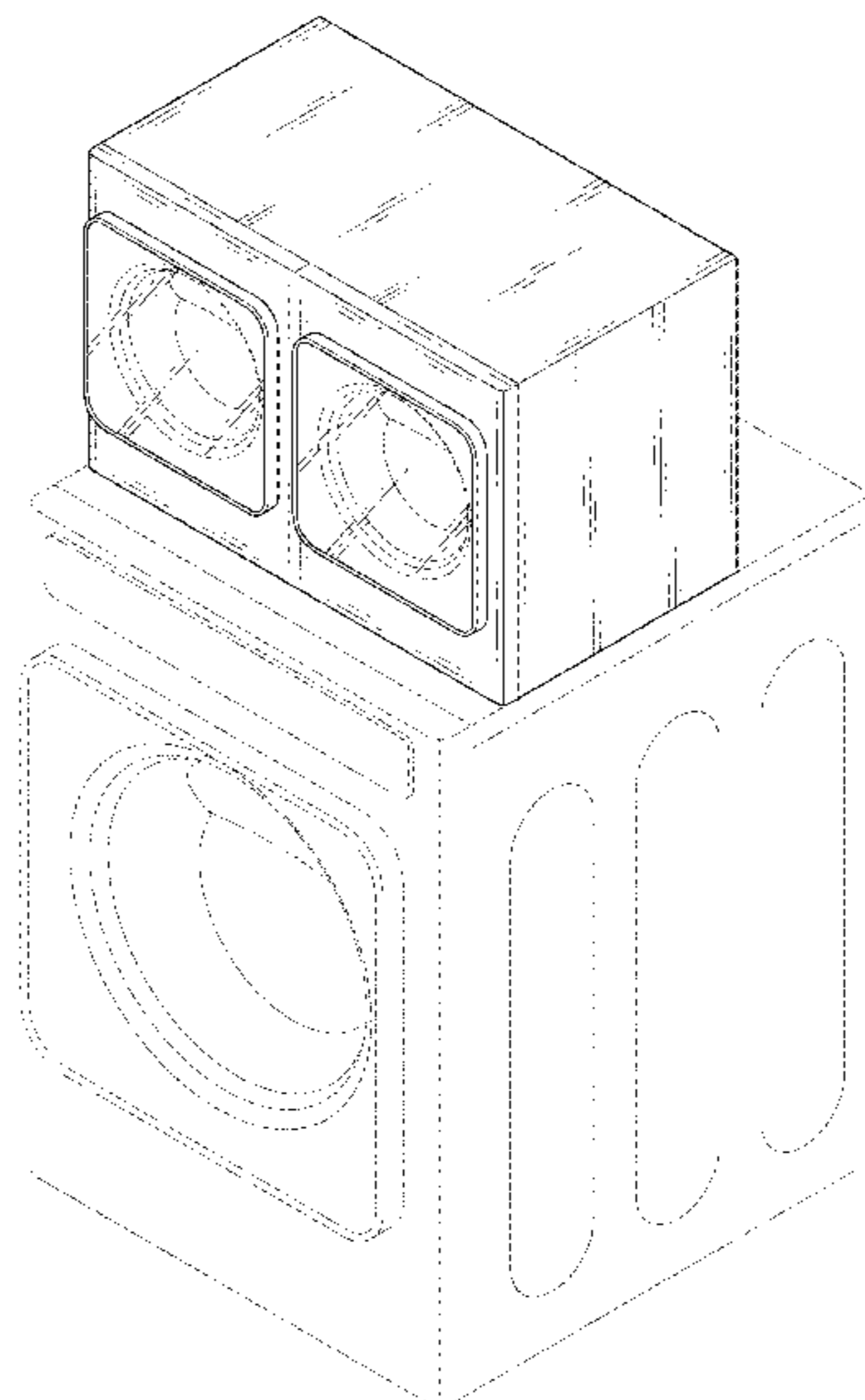
*Primary Examiner* — Michael A. Pratt  
*Assistant Examiner* — Michelle E Wilson  
(74) *Attorney, Agent, or Firm* — Birch, Stewart, Kolasch & Birch, LLP

(57) **CLAIM**  
I claim the ornamental design for a washing machine, as shown and described.

**DESCRIPTION**

FIG. 1 is a perspective view of a washing machine showing my new design;  
FIG. 2 is a front elevation view thereof;  
FIG. 3 is a rear elevation view thereof;  
FIG. 4 is a left-side elevation view thereof;  
FIG. 5 is a right-side elevation view thereof;  
FIG. 6 is a top plan view thereof; and,  
FIG. 7 is a bottom plan view thereof.  
The broken lines represent unclaimed portions of the washing machine and form no part of the claimed design.

**1 Claim, 6 Drawing Sheets**



(56)

**References Cited**

U.S. PATENT DOCUMENTS

2016/0201248 A1\* 7/2016 Kim ..... D06F 39/087  
8/137  
2016/0215435 A1\* 7/2016 Gasparini ..... D06F 39/06  
2016/0215436 A1\* 7/2016 Gasparini ..... D06F 39/06  
2016/0222574 A1\* 8/2016 Bae ..... D06F 33/02  
2016/0230328 A1\* 8/2016 Bae ..... D06F 33/02

\* cited by examiner

FIG. 1

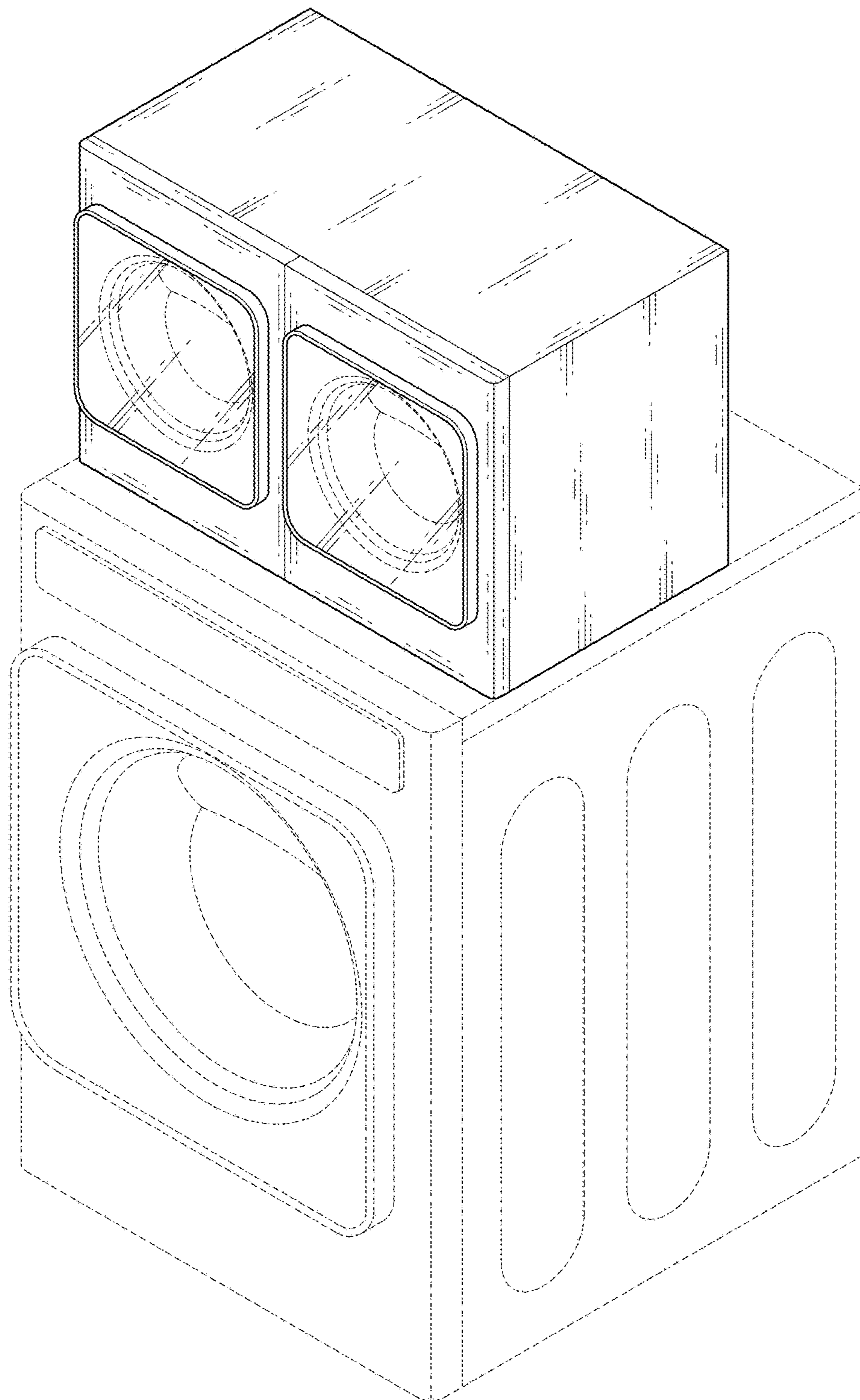


FIG. 2

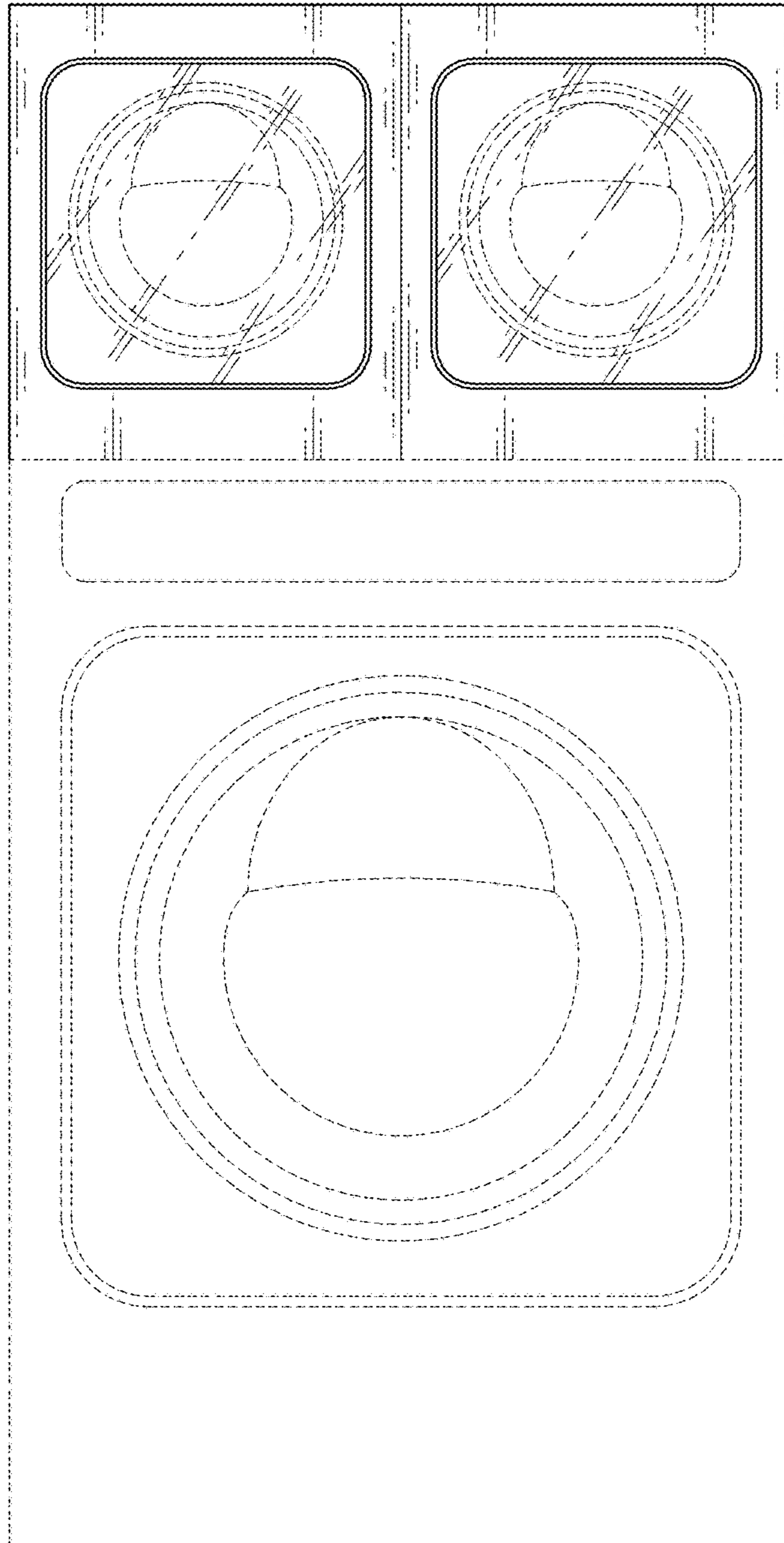


FIG. 3

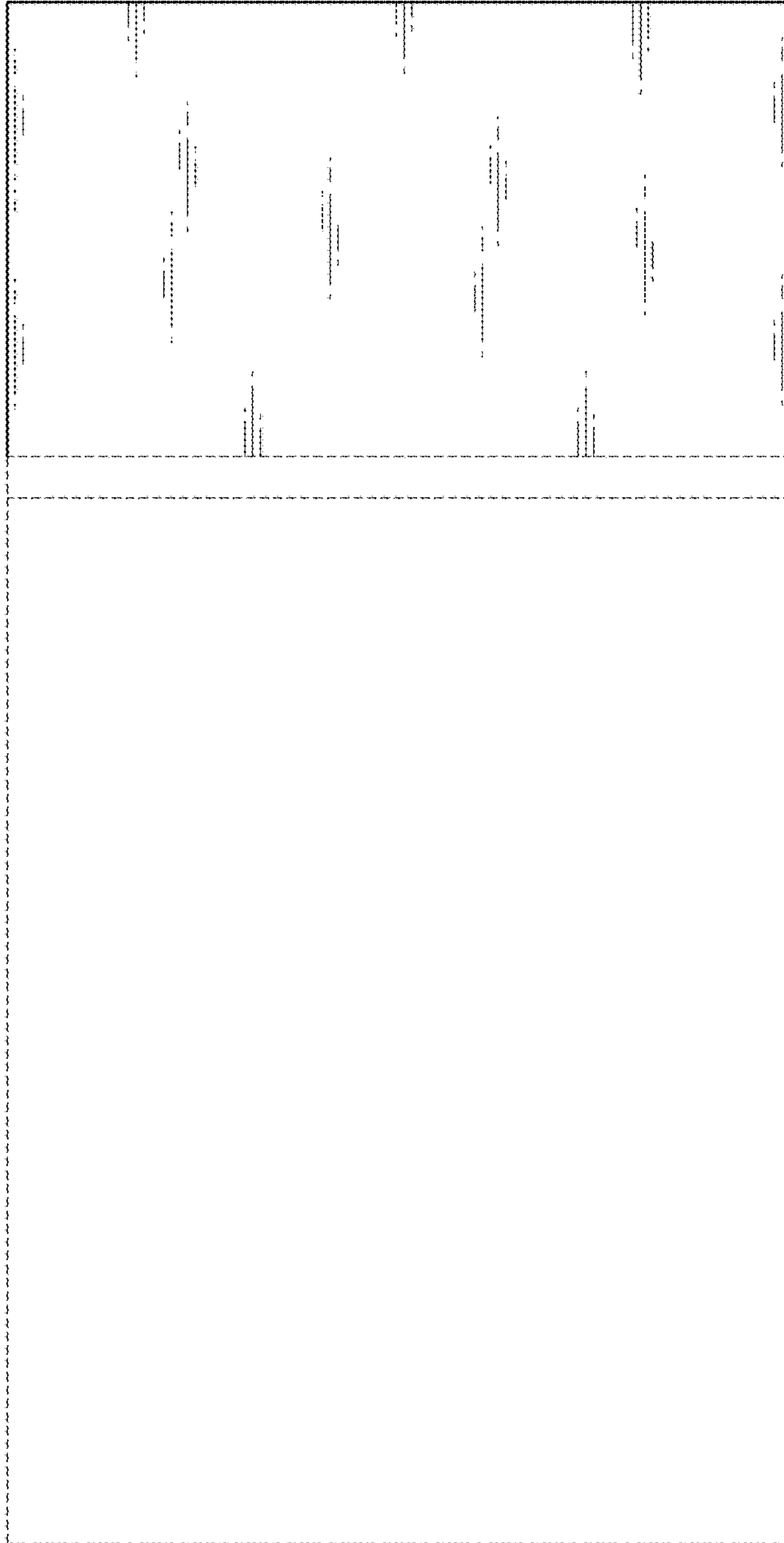


FIG. 4

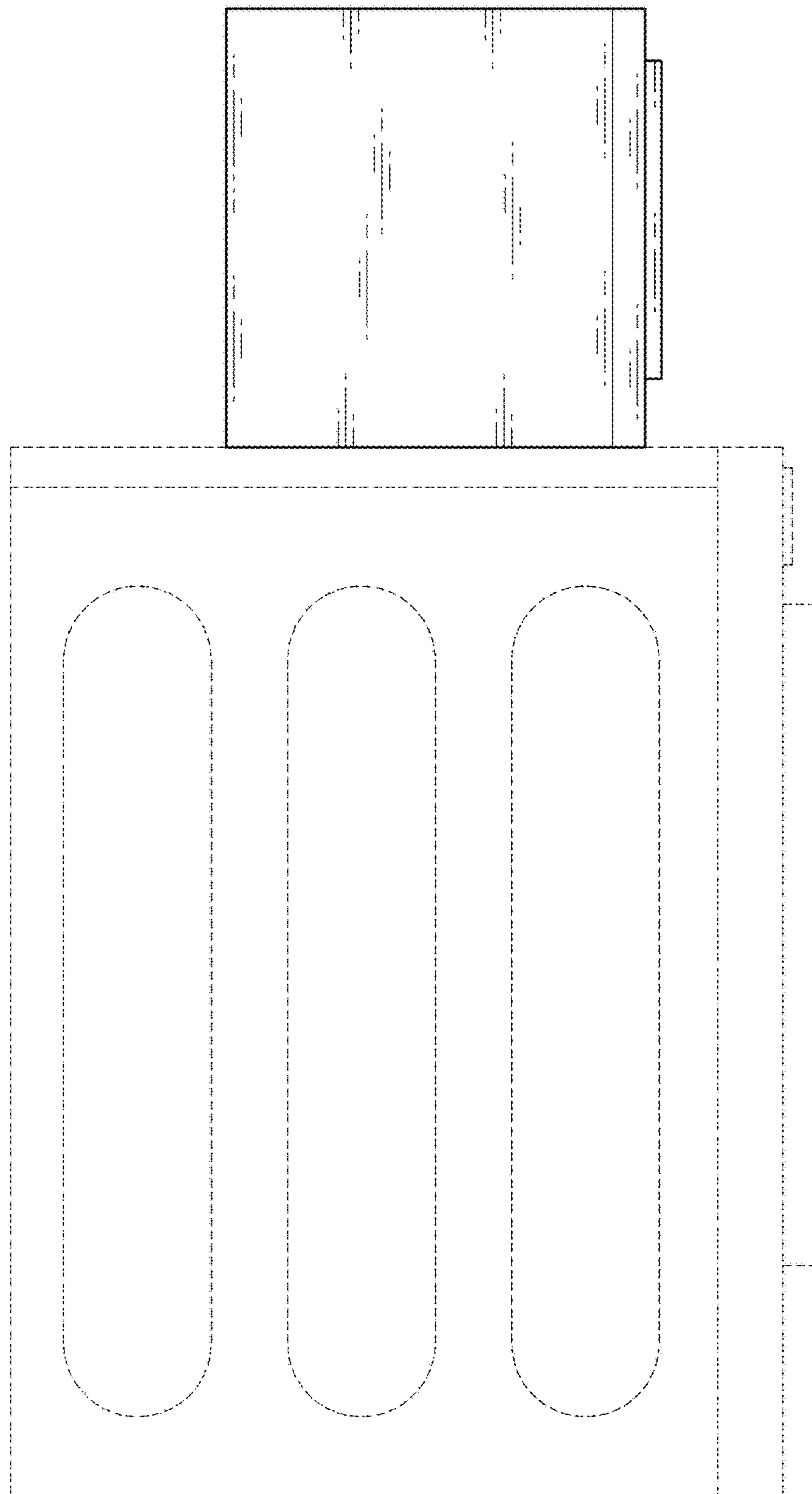


FIG. 5

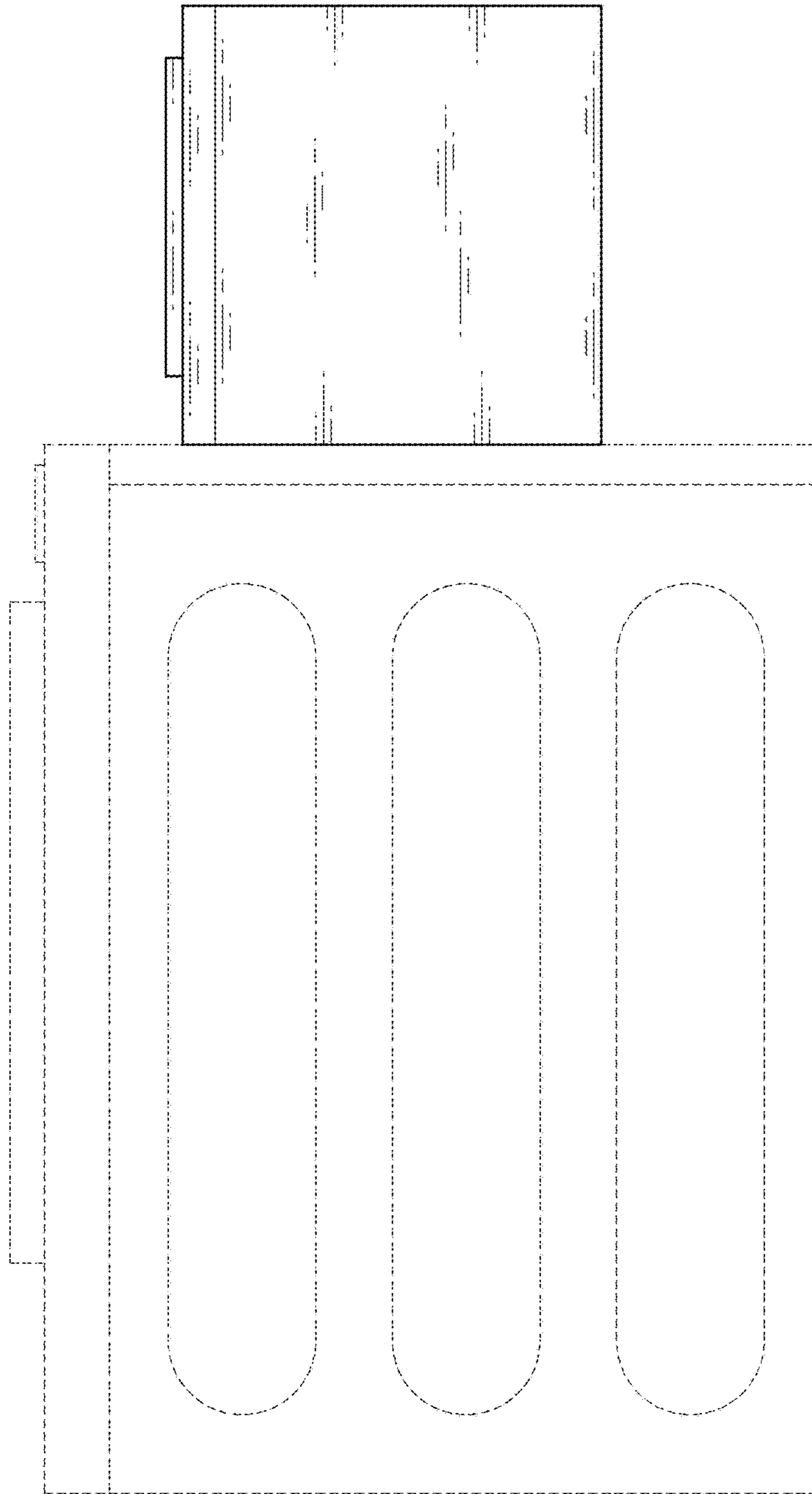


FIG. 6

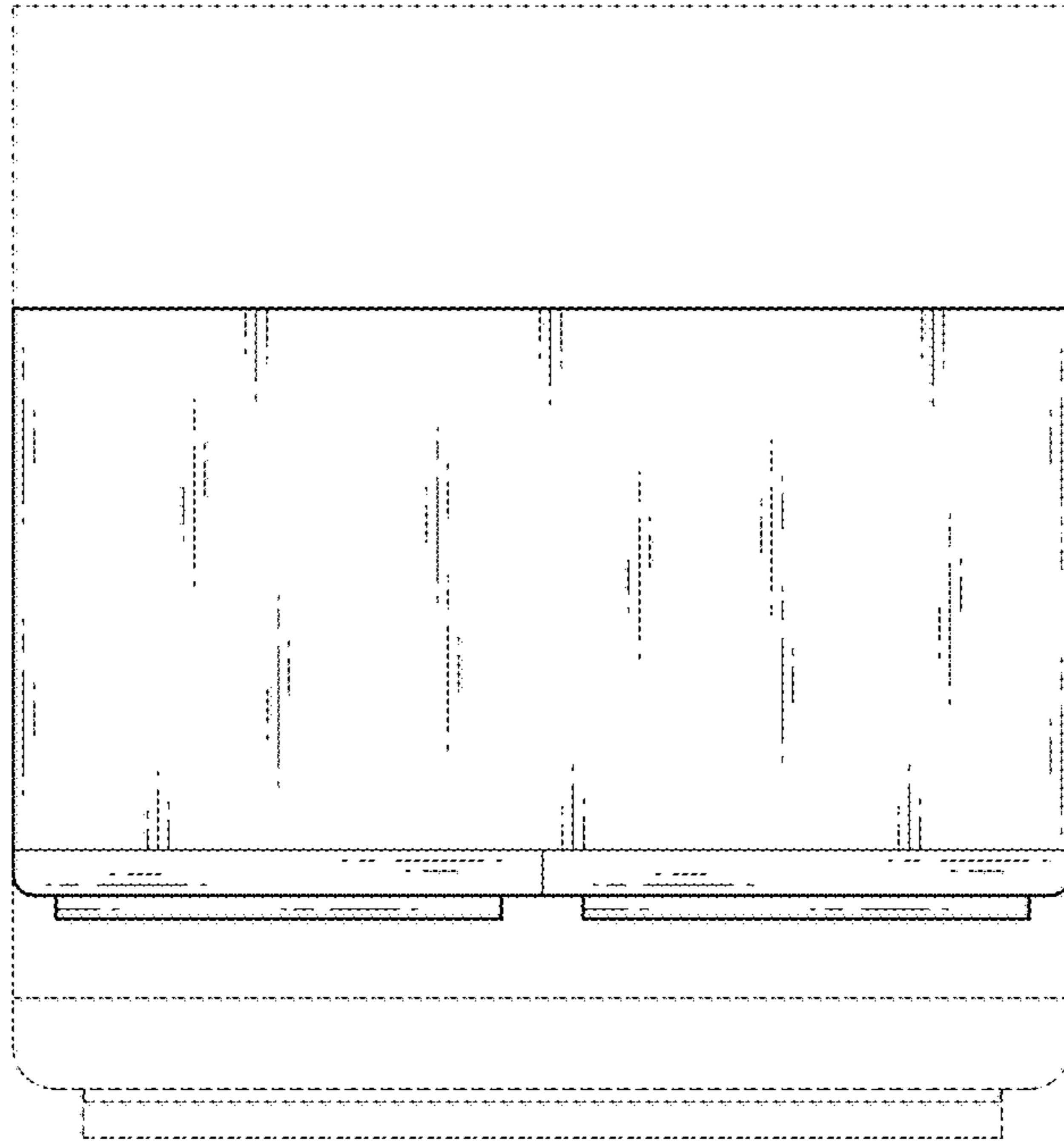


FIG. 7

