



US00D780385S

(12) **United States Design Patent**
Jakubowski

(10) **Patent No.:** **US D780,385 S**

(45) **Date of Patent:** **** Feb. 28, 2017**

(54) **PET STEP**

(71) Applicant: **Vermont Juvenile Furniture Mfg., Inc.**, West Rutland, VT (US)

(72) Inventor: **Chris Jakubowski**, Rutland, VT (US)

(73) Assignee: **Vermont Juvenile Furniture Mfg., Inc.**, West Rutland, VT (US)

(**) Term: **15 Years**

(21) Appl. No.: **29/542,603**

(22) Filed: **Oct. 15, 2015**

(51) **LOC (10) Cl.** **30-03**

(52) **U.S. Cl.**
USPC **D30/199**

(58) **Field of Classification Search**

USPC D30/199, 119, 160, 108, 118, 158, 161; 119/843, 849, 847, 706-711, 28.5, 165, 119/702, 485, 498; D25/63, 65, 62; 182/1, 182/20, 200, 33, 107, 230, 129, 106, 93, 182/95, 115, 113, 151, 35; 248/188.2; 52/182, 184, 188, 52/190; 114/362; 14/71.1, 69.5; 193/2 R, 33; D6/349-355; D12/203; 280/166; 296/156; 105/443, 105/447, 448; 297/118; 4/254, 483, 4/485, 574.1, 578.1, 902, 572.1, 571.1; D23/296, 299, 309, 311; D21/686, 687, D21/690, 695

CPC A01K 1/035; E04F 11/066; E04F 11/062; E04F 11/06; E04F 11/04; E04F 11/022; E04F 11/0223; E04F 11/0226; E04F 11/035; E04F 2011/0203-2011/0209; E04F 2011/0218; E06C 1/383; E06C 1/3835; E06C 1/387; E06C 1/00; E06C 1/005; E06C 1/04; E06C 1/12; E06C 1/14; E06C 1/16; E06C 1/30; E06C 1/38; E06C 1/381; B60R 3/007; B60R 3/02; A47K 11/06; A47K 11/08; A47K 11/12; A61G 9/00

See application file for complete search history.

(56) **References Cited**

U.S. PATENT DOCUMENTS

3,213,565	A *	10/1965	Grosz	A47K 3/001
					211/74
3,374,861	A *	3/1968	Shaver	E04G 1/152
					182/222
5,094,505	A *	3/1992	Nichols	A47C 12/02
					182/33.3
D374,069	S *	9/1996	Her	D23/299
D398,172	S *	9/1998	Greaves	D6/368
5,978,976	A *	11/1999	Chai	A47K 11/04
					4/483
D440,058	S *	4/2001	Owens	D6/349
6,769,513	B2 *	8/2004	Pettit	E04H 4/144
					182/106
7,234,780	B2 *	6/2007	Lipniarski	A47C 5/12
					297/423.1
7,578,959	B2 *	8/2009	Bahnsen	B29C 49/50
					264/154
D614,872	S *	5/2010	Lee	D6/335
D655,117	S *	3/2012	Erli	D6/525
D695,032	S *	12/2013	Buitendag	D6/349
D712,490	S *	9/2014	Gibbs	D21/522
D716,919	S *	11/2014	Yeung	D23/296
D727,044	S *	4/2015	Tu	D6/349

(Continued)

Primary Examiner — Susan Moon Lee

(74) *Attorney, Agent, or Firm* — Volpe and Koenig, P.C.

(57) **CLAIM**

The ornamental design for a pet step, as shown and described.

DESCRIPTION

FIG. 1 is a top, front, right perspective view of a pet step in accordance with my design;
FIG. 2 is a bottom, rear, right perspective view thereof;
FIG. 3 is a top plan view thereof;
FIG. 4 is a front elevational view thereof;
FIG. 5 is a right side elevational view thereof;
FIG. 6 is a bottom plan view thereof;
FIG. 7 is a left side elevational view thereof;
FIG. 8 is a rear elevational view thereof; and,

(Continued)

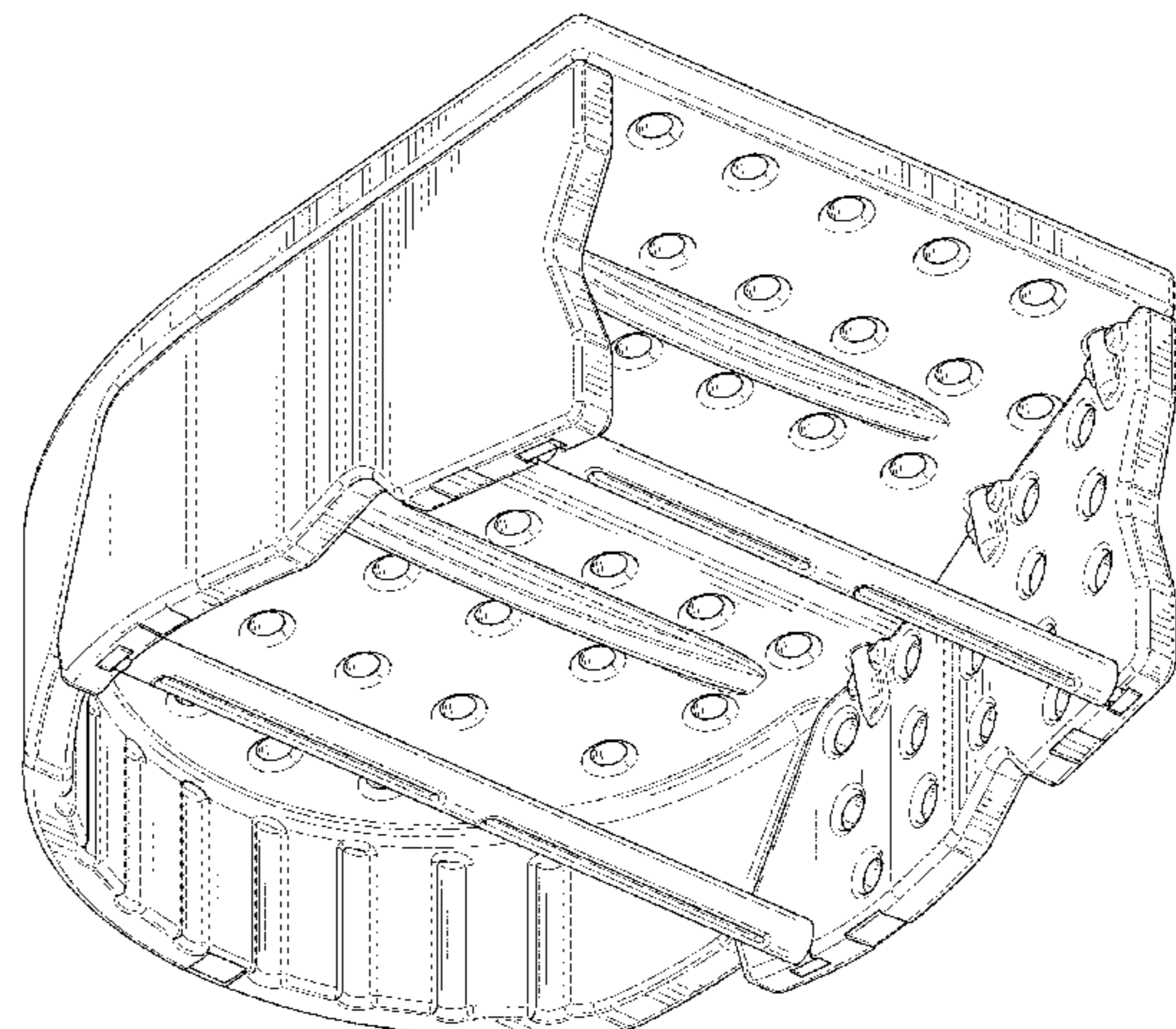
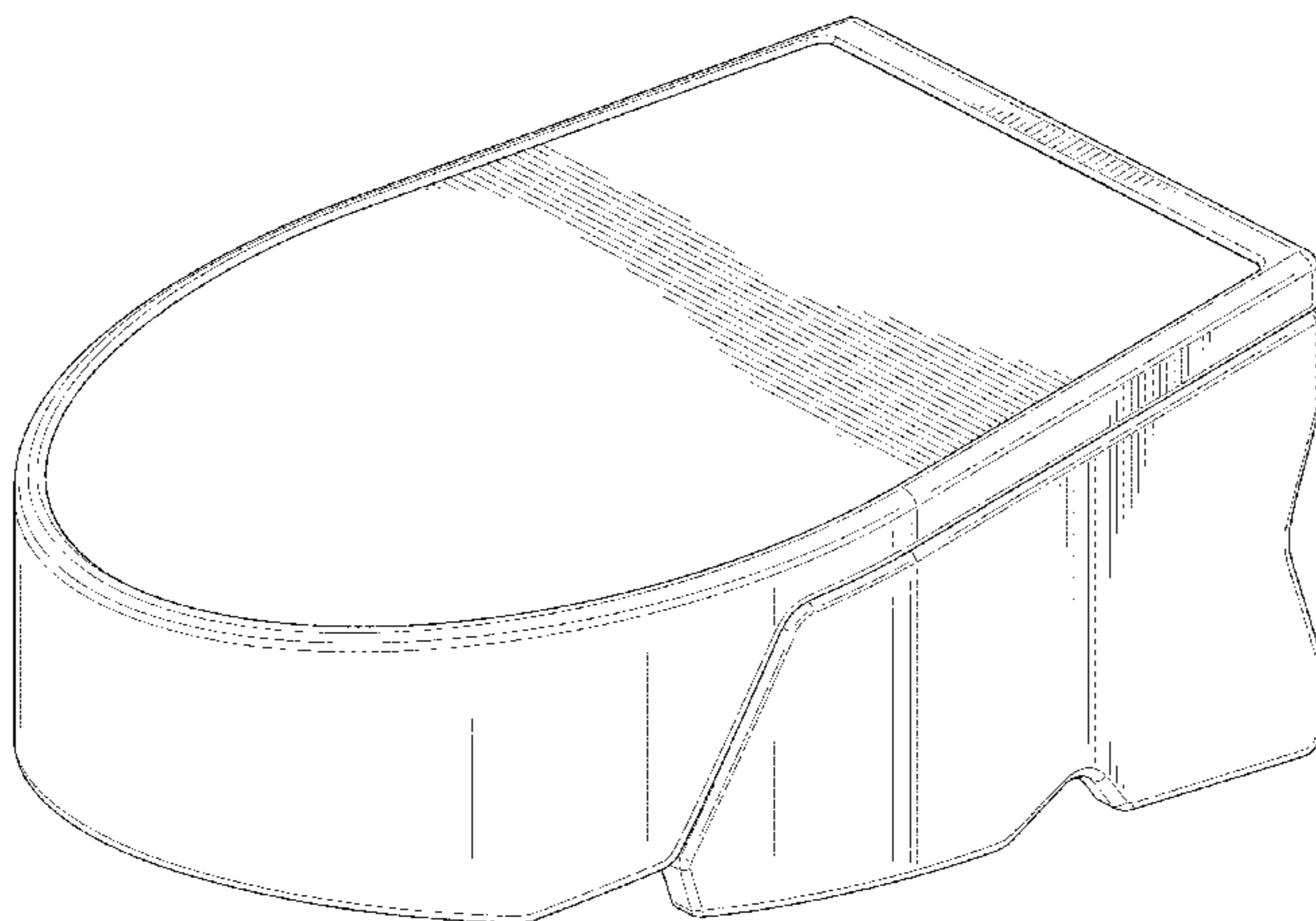


FIG. 9 is a cross-sectional view thereof taken along line 9-9 in FIG. 3, with the two lower struts removed for clarity.

1 Claim, 9 Drawing Sheets

(56)

References Cited

U.S. PATENT DOCUMENTS

D727,645 S * 4/2015 Zink D6/333
 D730,500 S * 5/2015 Jenner D23/296
 9,027,173 B2 * 5/2015 Dunn A47K 11/06
 206/210
 D742,079 S * 10/2015 Jakubowski D30/199
 D743,011 S * 11/2015 Woodside D23/299
 D747,449 S * 1/2016 Inomoto D23/311
 D752,192 S * 3/2016 Smith D23/311
 D764,643 S * 8/2016 Nakabayashi D23/311

2007/0289556 A1* 12/2007 Hoffman A01K 1/035
 119/847
 2008/0178379 A1* 7/2008 Davis A47K 11/06
 4/483
 2008/0257280 A1* 10/2008 Jakubowski A01K 1/035
 119/849
 2010/0050333 A1* 3/2010 Jenkins A47K 11/04
 4/483
 2012/0084909 A1* 4/2012 Dunn A47K 11/06
 4/483
 2013/0256060 A1* 10/2013 Wieggers E04G 5/08
 182/222
 2014/0196671 A1* 7/2014 Taylor A01K 15/025
 119/707
 2014/0259354 A1* 9/2014 Sundberg A47K 11/04
 4/483
 2014/0305381 A1* 10/2014 Hansen A01K 15/025
 119/711

* cited by examiner

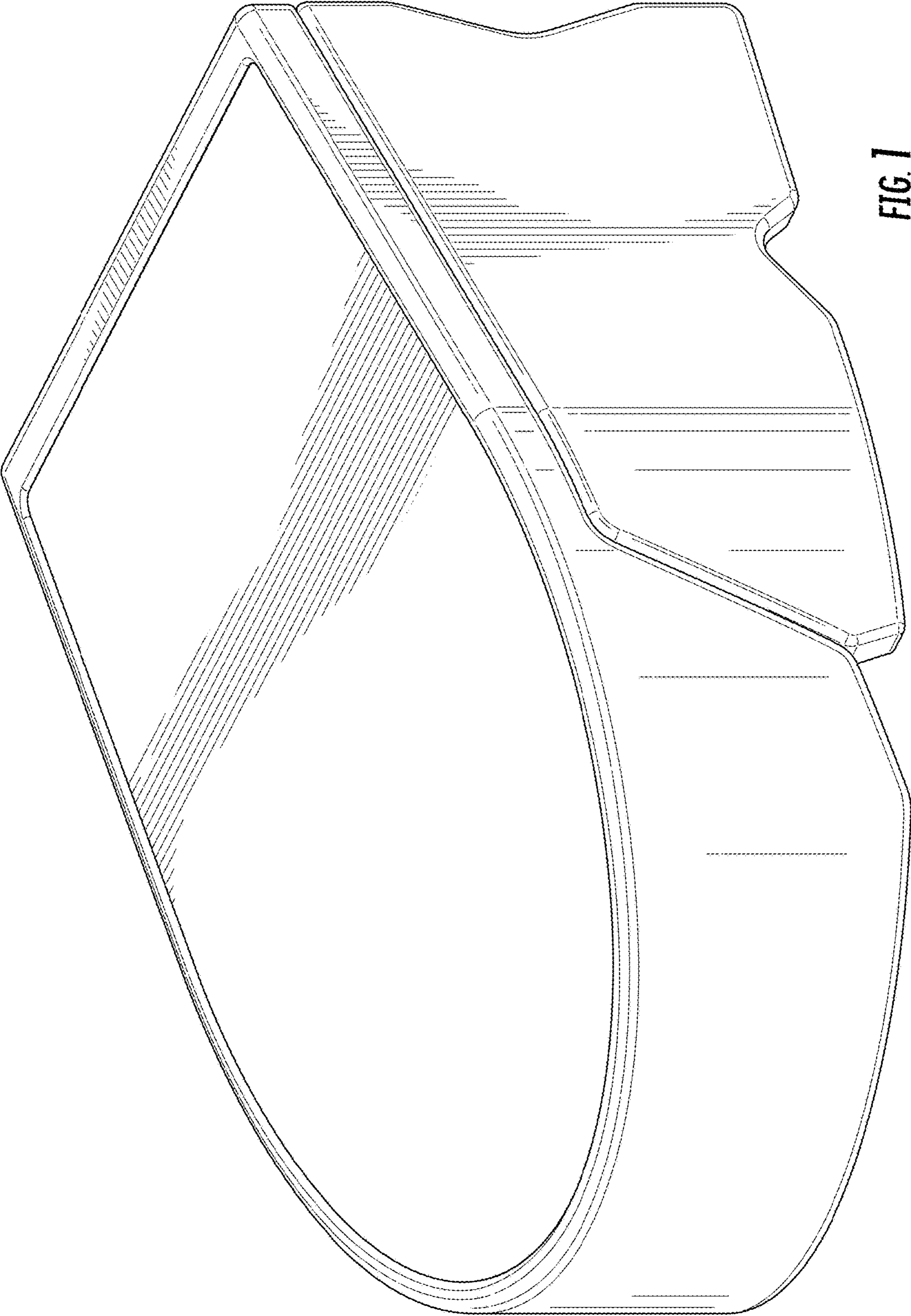


FIG. 1

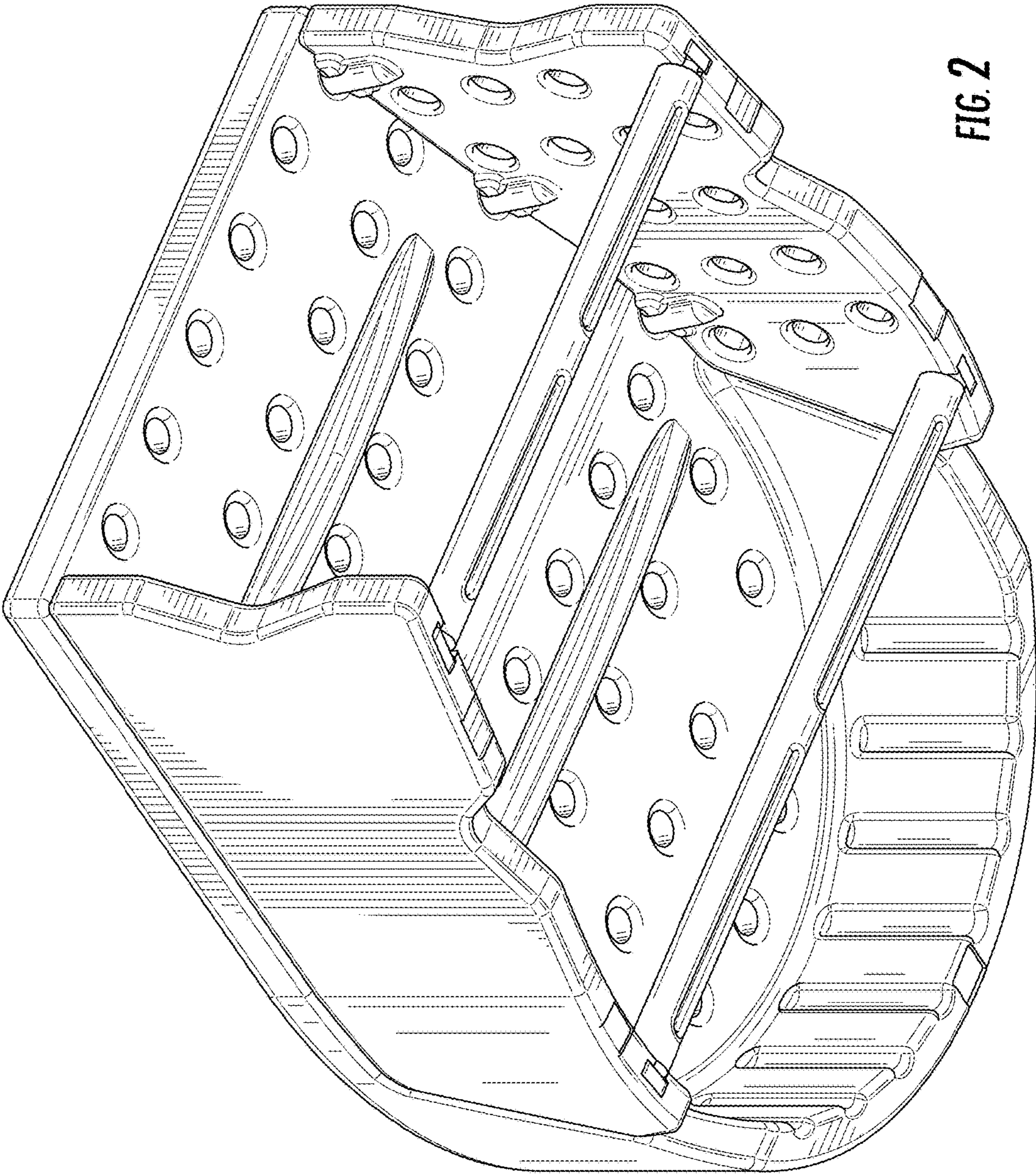


FIG. 2

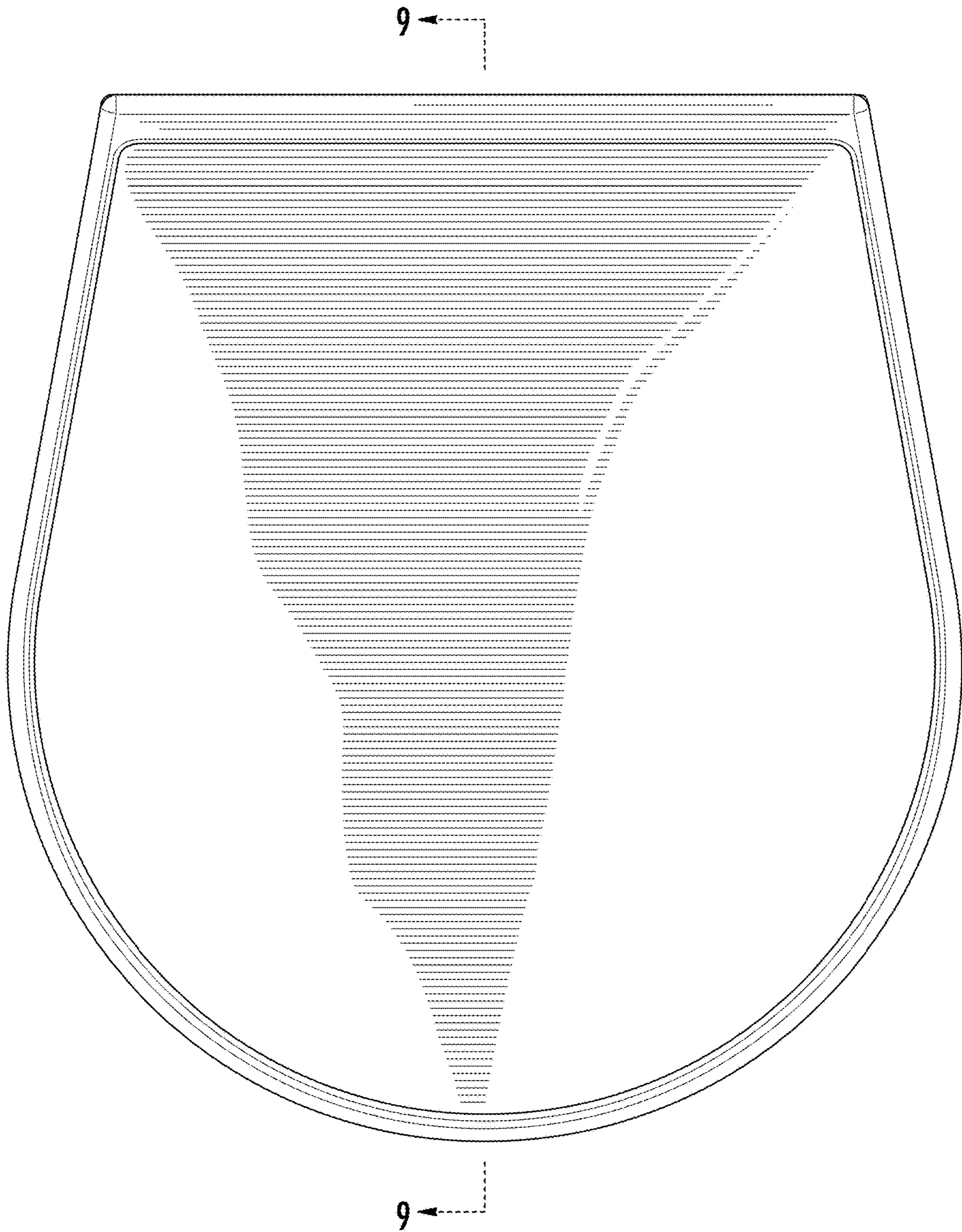


FIG. 3

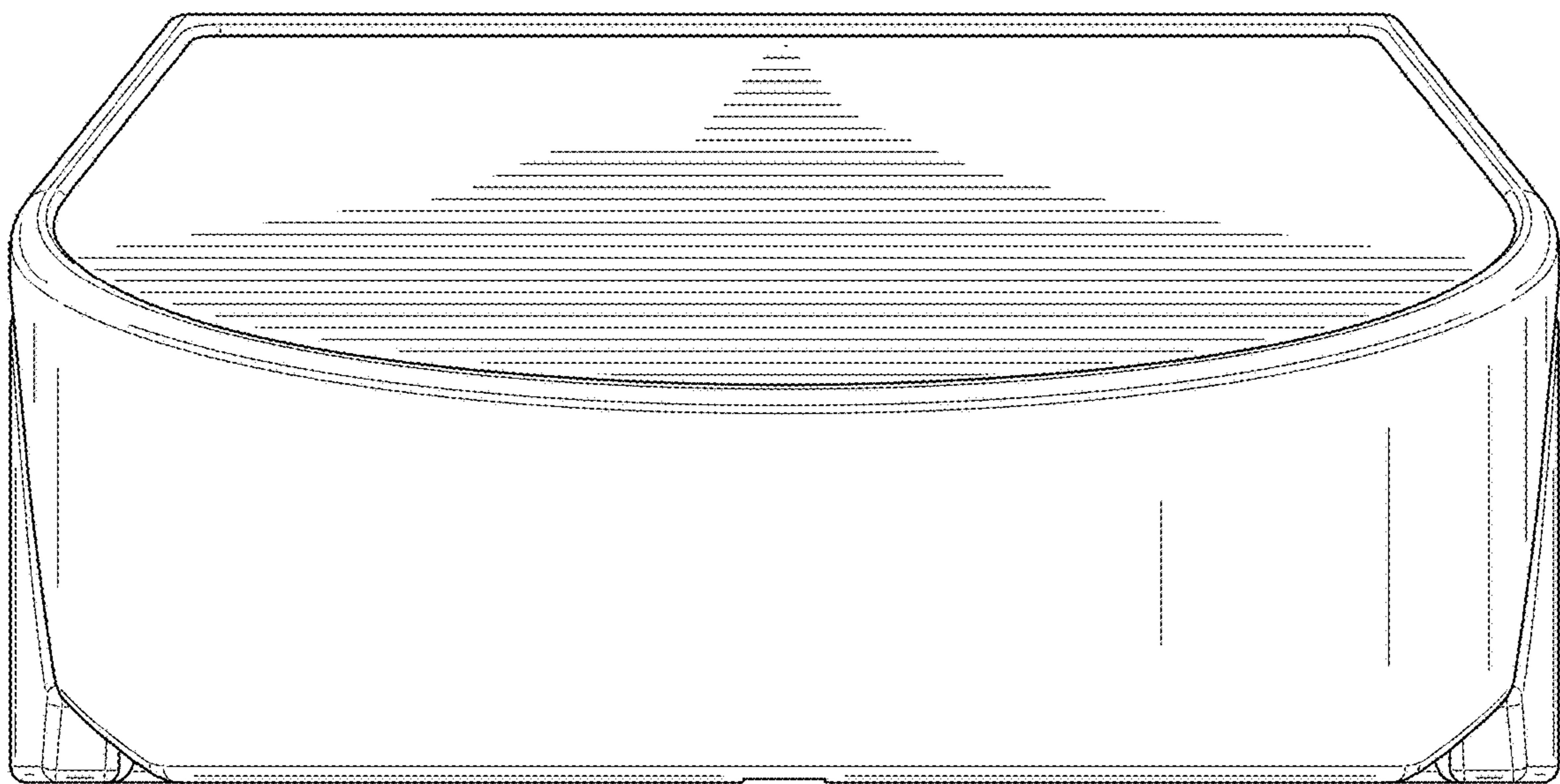


FIG. 4

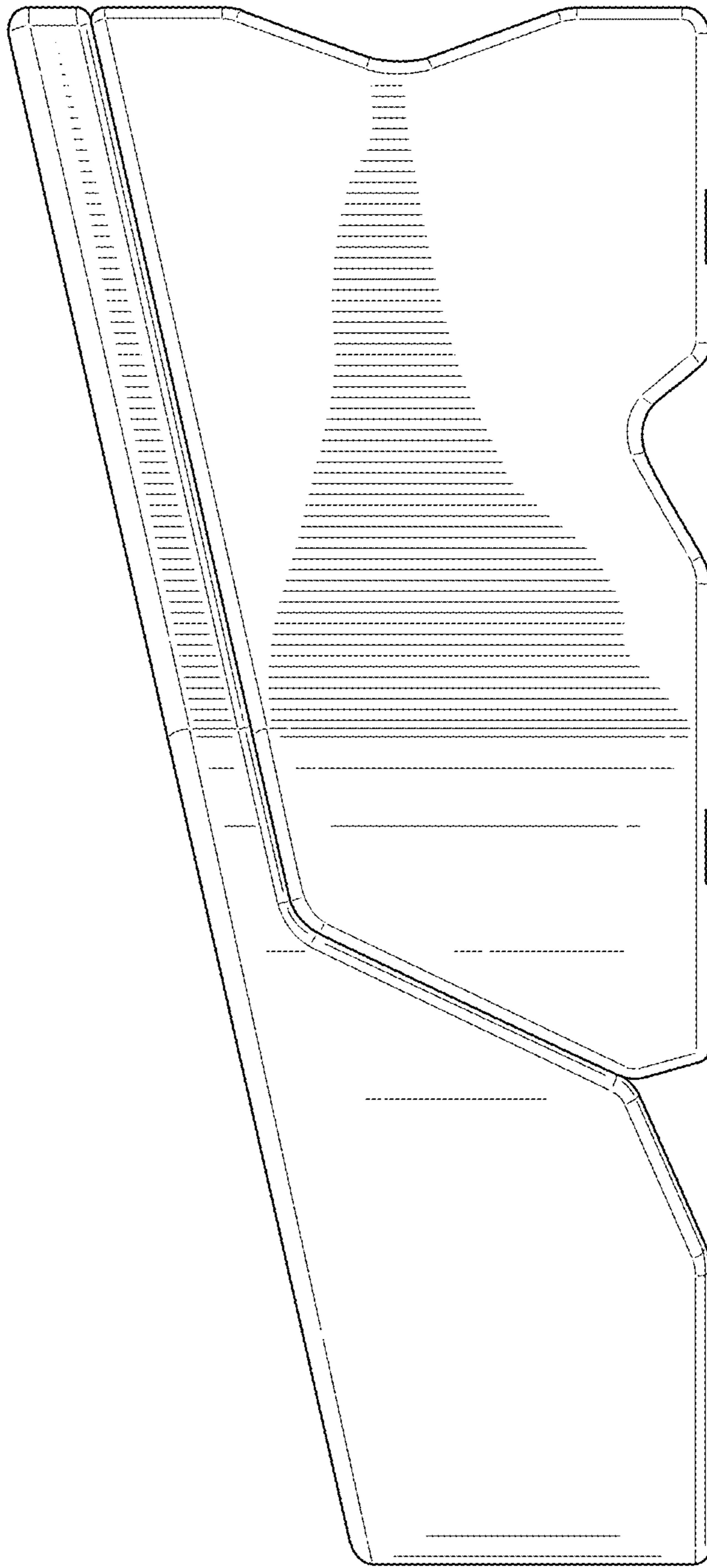


FIG. 5

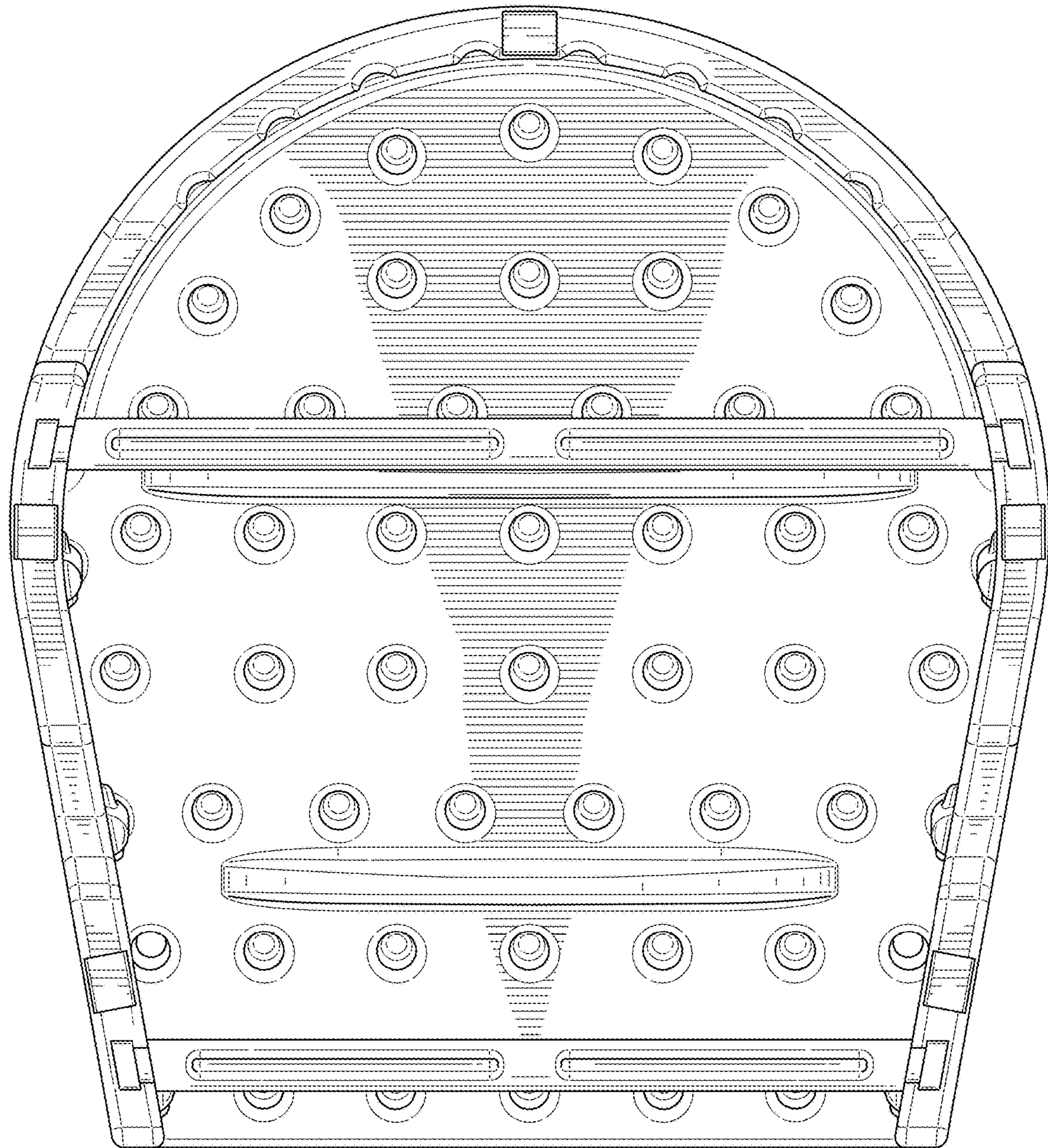


FIG. 6

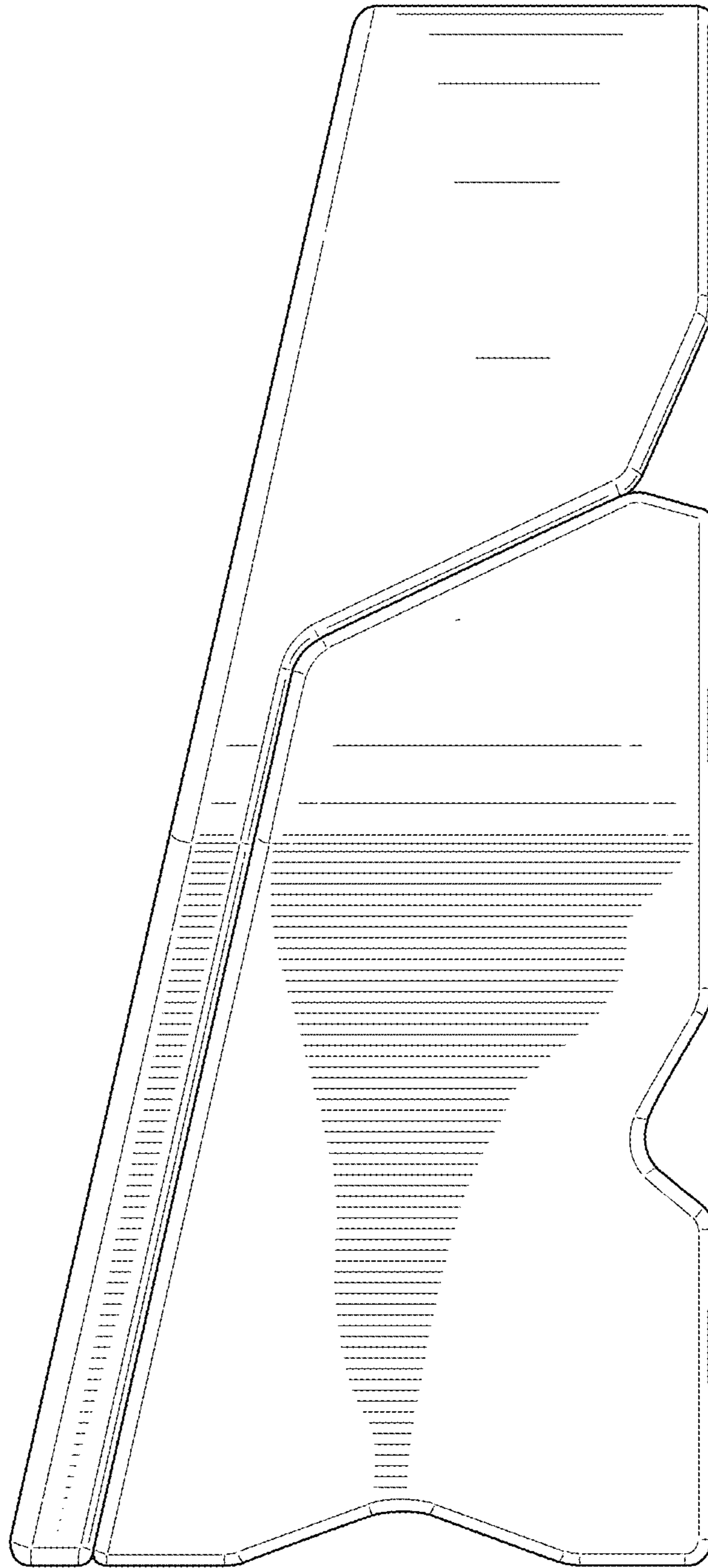


FIG. 7

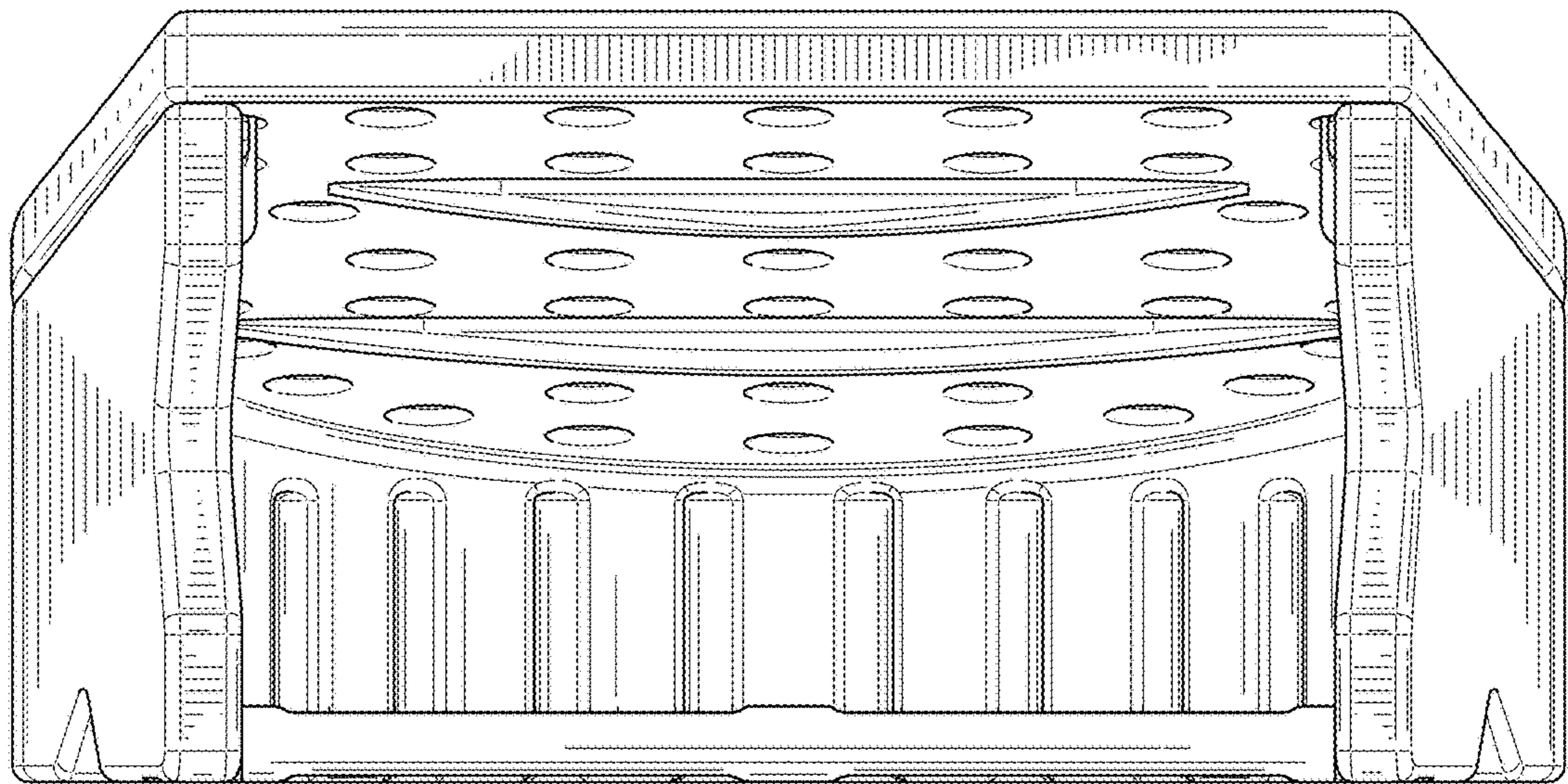


FIG. 8

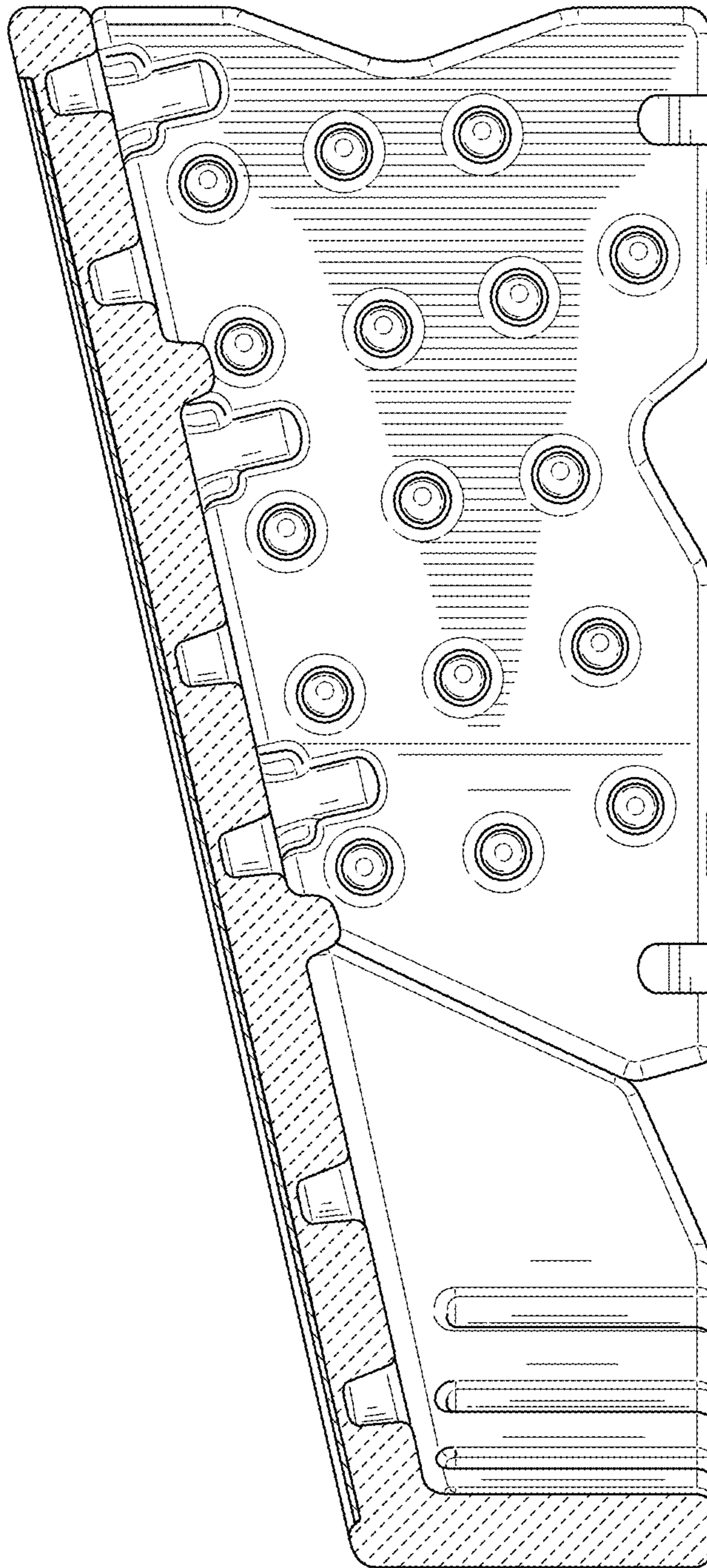


FIG. 9