



US00D780384S

(12) **United States Design Patent** (10) **Patent No.:** **US D780,384 S**
Miksovsky et al. (45) **Date of Patent:** **** Feb. 28, 2017**

(54) **PET TOY**

(71) Applicant: **Pawgear, Inc.**, San Francisco, CA (US)

(72) Inventors: **Christopher A. Miksovsky**, San Francisco, CA (US); **Clint N. Slone**, San Francisco, CA (US); **Christopher Loew**, Palo Alto, CA (US)

(73) Assignee: **Pawgear, Inc.**, San Francisco, CA (US)

(**) Term: **14 Years**

(21) Appl. No.: **29/520,210**

(22) Filed: **Mar. 12, 2015**

(51) **LOC (10) Cl.** **30-99**

(52) **U.S. Cl.**
USPC **D30/160**

(58) **Field of Classification Search**
USPC D30/160; D21/662, 680, 684, 692, 707;
D24/193-195, 211-212, 214; D1/103,
D1/106

CPC A01K 15/024; A01K 15/025; A01K 15/26;
A01K 15/27; A61J 17/00; B65D 17/163;
B65D 17/165

See application file for complete search history.

(56) **References Cited**

U.S. PATENT DOCUMENTS

D119,035 S *	2/1940	Lindgren	D30/160
D225,907 S *	1/1973	Kar-Yau Shiu	D24/211
D317,373 S *	6/1991	Turner	D30/160
D320,453 S *	10/1991	Von Winckler	D24/214
D657,009 S *	4/2012	Krull	D21/684
D700,346 S *	2/2014	Palizzi	D24/211
8,881,685 B2 *	11/2014	Miavitz	A01K 15/025 119/707

OTHER PUBLICATIONS

Canine Hardware, "Chuckit Evader Ball—Medium", <http://www.amazon.com/Canine-Hardware-781107-Chuckit-Evader/dp/B0051WTHPQ>, downloaded on Mar. 11, 2015.

Canine Hardware, "Chuckit Medium Wheelie Dog Ball", http://www.amazon.com/Chuckit-Medium-Wheelie-Dog-Ball/dp/B003FMV2XE/ref=sr_1_1?s=pets-supplies&ie=UTF8&qid=1425088119&sr=1-1&keywords=canine+hardware+wheelie, downloaded on Mar. 11, 2015.

Canine Hardware, "Chuckit Medium Drag N' Fly Dog Ball", http://www.amazon.com/Chuckit-Medium-Drag-Fly-Ball/dp/B003FMV2Y8/ref=sr_1_1?s=pets-supplies&ie=UTF8&qid=1425088161&sr=1-1&keywords=canine+hardware+drag+n+fly, downloaded on Mar. 11, 2015.

Otis and Claude, "Bettie Fetch Toy Slobber and Spice", http://www.amazon.com/Bettie-Fetch-Slobber-Spice-Orange/dp/B0002T9KL4/ref=sr_1_1?s=pets-supplies&ie=UTF8&qid=1425088511&sr=1-1&keywords=otis+and+claudette+bettie, downloaded on Mar. 11, 2015.

(Continued)

Primary Examiner — Cathy Anne MacCormac

(74) *Attorney, Agent, or Firm* — Beyer Law Group LLP

(57) **CLAIM**

We claim the ornamental design for the pet toy, as shown and described.

DESCRIPTION

FIG. 1 is a perspective view of a pet toy in accordance with the present design;

FIG. 2 is a front elevational view thereof;

FIG. 3 is a back elevational view thereof;

FIG. 4 is a top plan view thereof;

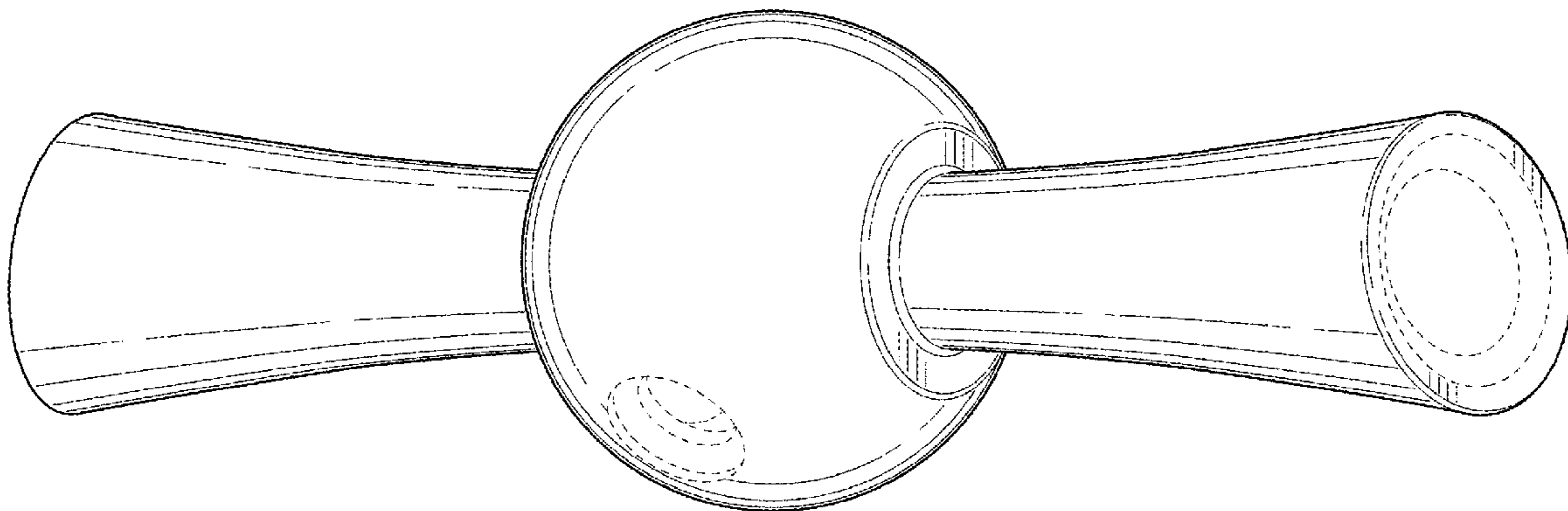
FIG. 5 is a bottom plan side view thereof;

FIG. 6 is a right side elevational view thereof; and,

FIG. 7 is a left side elevational view thereof.

Features shown in broken lines depict environmental subject matter, are for illustration only and form no part of the claimed design.

1 Claim, 7 Drawing Sheets



(56)

References Cited

OTHER PUBLICATIONS

Bionic Pet, “Bionic Urban Stick—Virtually Indestructible Dog Stick—Chew & Fetch”, http://www.amazon.com/BIONIC-PET-SK-CL206-Bionic-XLarge/dp/B00DW5C9PO/ref=sr_1_1?ie=UTF8&qid=1425088804&sr=8-1&keywords=bionic+dog, downloaded on Mar. 11, 2015.

Bionic, “Bionic Bone”, http://www.amazon.com/Bionic-BO-CL103-Bone-Medium/dp/B006JT42LY/ref=sr_1_3?ie=UTF8&qid=1425088838&sr=8-3&keywords=bionic+dog, downloaded on Mar. 11, 2015.

Ruffwear, “Ruffwear Turnup Dog Toy”, http://www.amazon.com/Ruffwear-TurnUp-Rubber-Dogs-Green/dp/B005QSE822/ref=sr_1_3?ie=UTF8&qid=1425088886&sr=8-3&keywords=ruff+wear+ball, Mar. 11, 2015.

Canine Hardware, “Chuckit Erratic Ball”, http://www.amazon.com/Chuckit-Medium-Erratic-2-5-Inch-2-Pack/dp/B00280MUWQ/ref=pd_sbs_petsupplies_5?ie=UTF8

&refRID=0S9Z9BAFEZM7WYA8BNT5, downloaded on Mar. 12, 2015.

Canine Hardware, “Chuckit Amphibious Toy”, http://www.amazon.com/Chuckit-Medium-Amphibious-Diver-Colors/dp/B004X0829U/ref=pd_sbs_petsupplies_6?ie=UTF8

&refRID=007GN3A9MZG4Q2PFFY42, downloaded on Mar. 12, 2015.

West Paw “West Paw Design Jive Zogoflex Durable Ball Dog Chew Toy”, http://www.amazon.com/West-Paw-Design-Zogoflex-Durable/dp/B0070S62UC/ref=sr_1_1?s=pets-supplies&ie=UTF8&qid=1425333140&sr=1-1&keywords=west+paws+ball, downloaded on Mar. 12, 2015.

Nylabone, “Double Action Dental Chew Ball Dog Toy”, http://www.amazon.com/Double-Action-Dental-Chew-Ball/dp/B00BS99Q7A/ref=sr_1_4?ie=UTF8&qid=1425334557&sr=8-4&keywords=nylabone+dental+chew+ball, downloaded on Mar. 12, 2015.

Design U.S. Appl. No. 29/520,207, filed Mar. 12, 2015.

Design U.S. Appl. No. 29/520,209, filed Mar. 12, 2015.

* cited by examiner

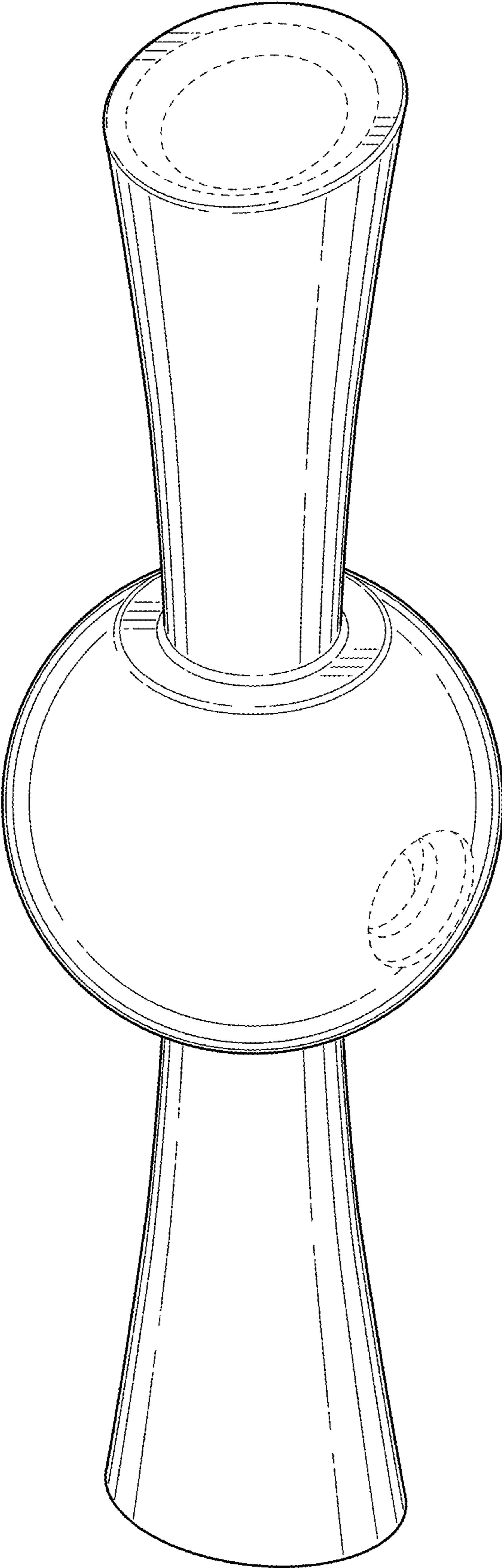


FIG. 1

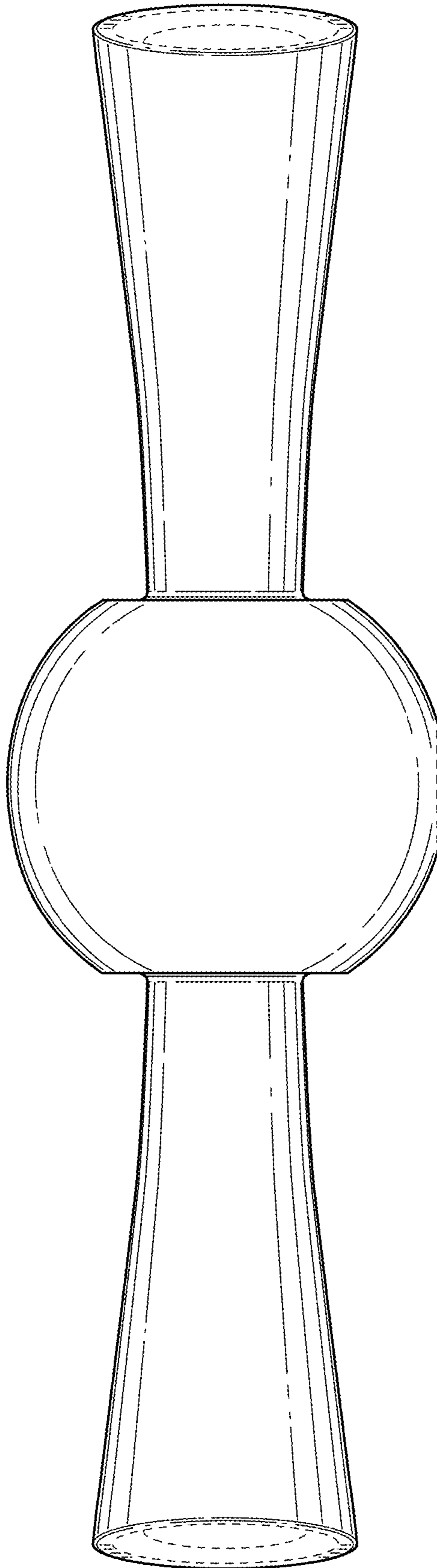


FIG. 2

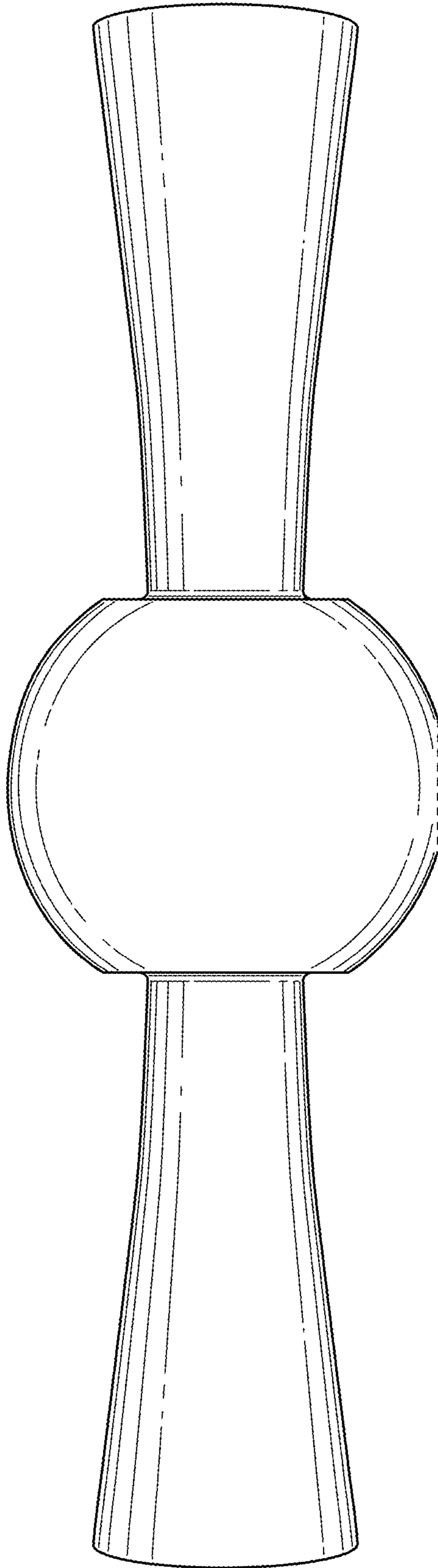


FIG. 3

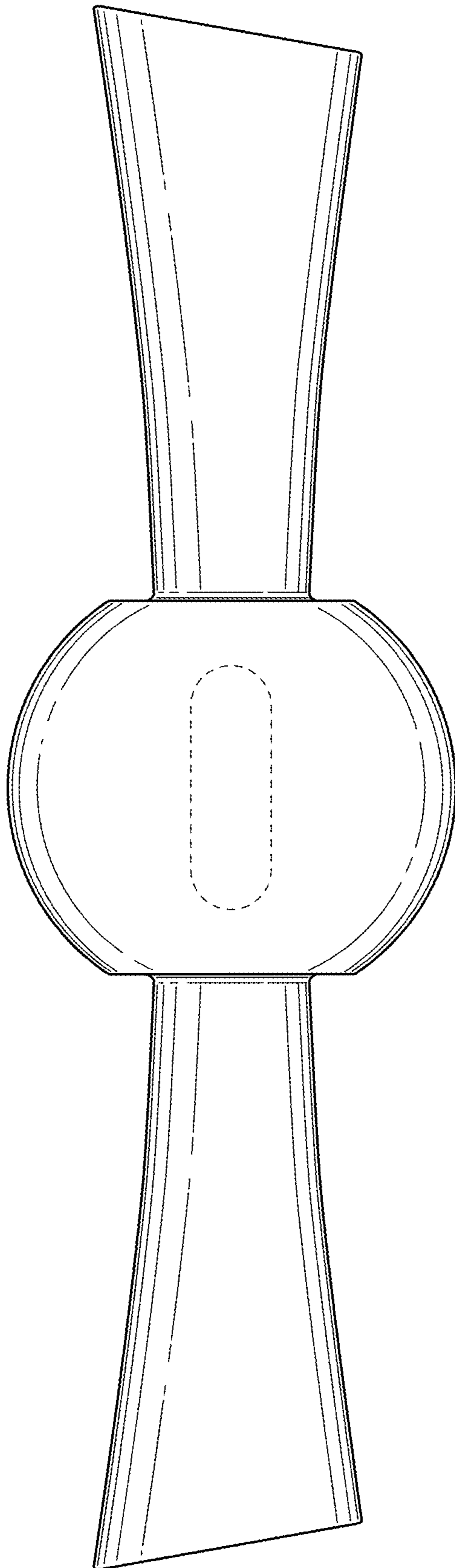


FIG. 4

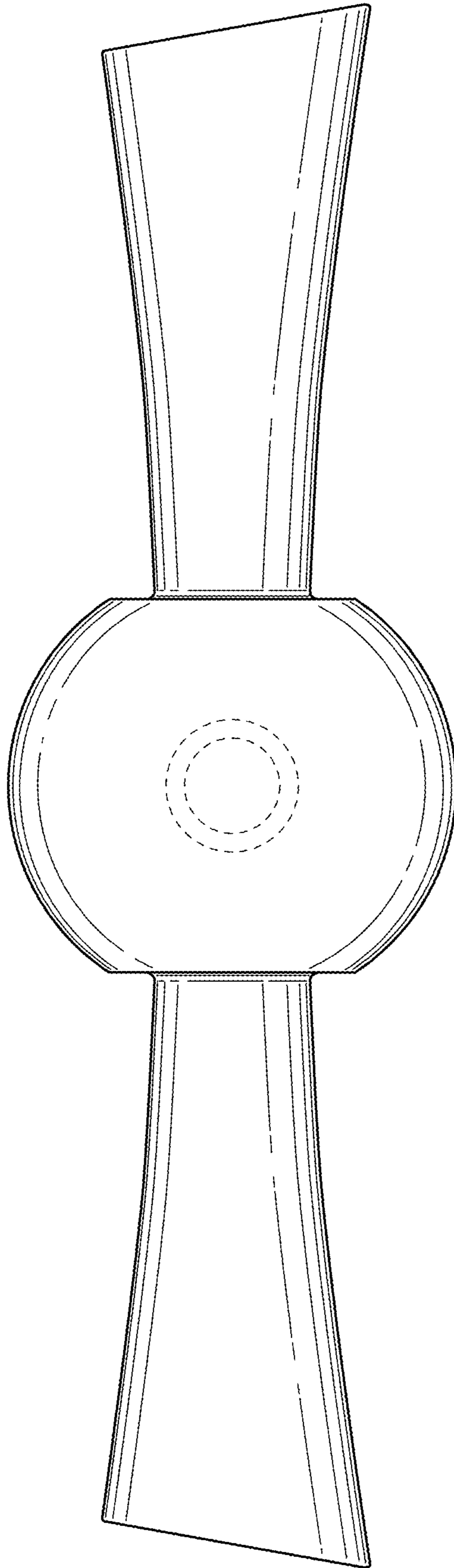


FIG. 5

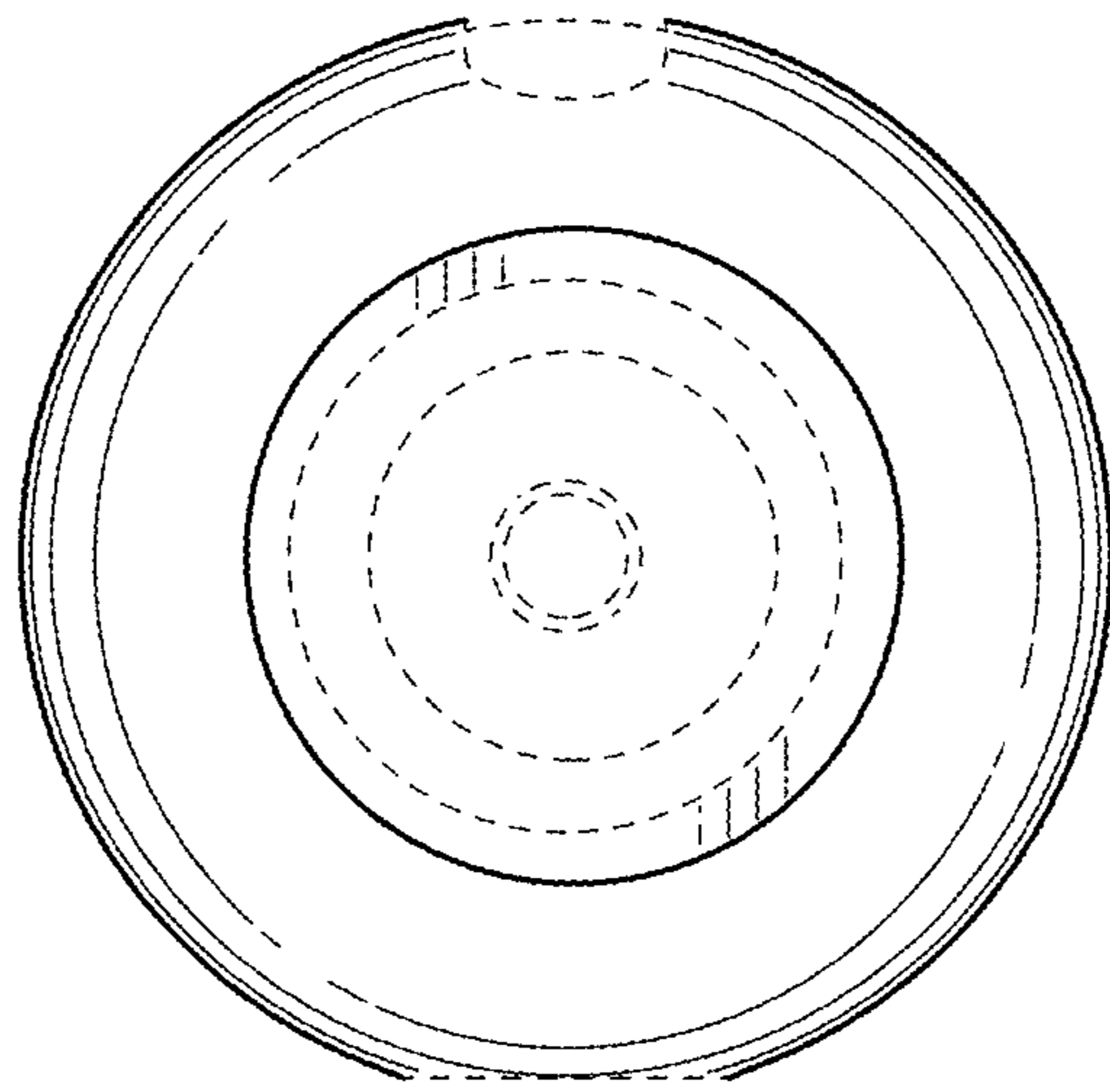


FIG. 6

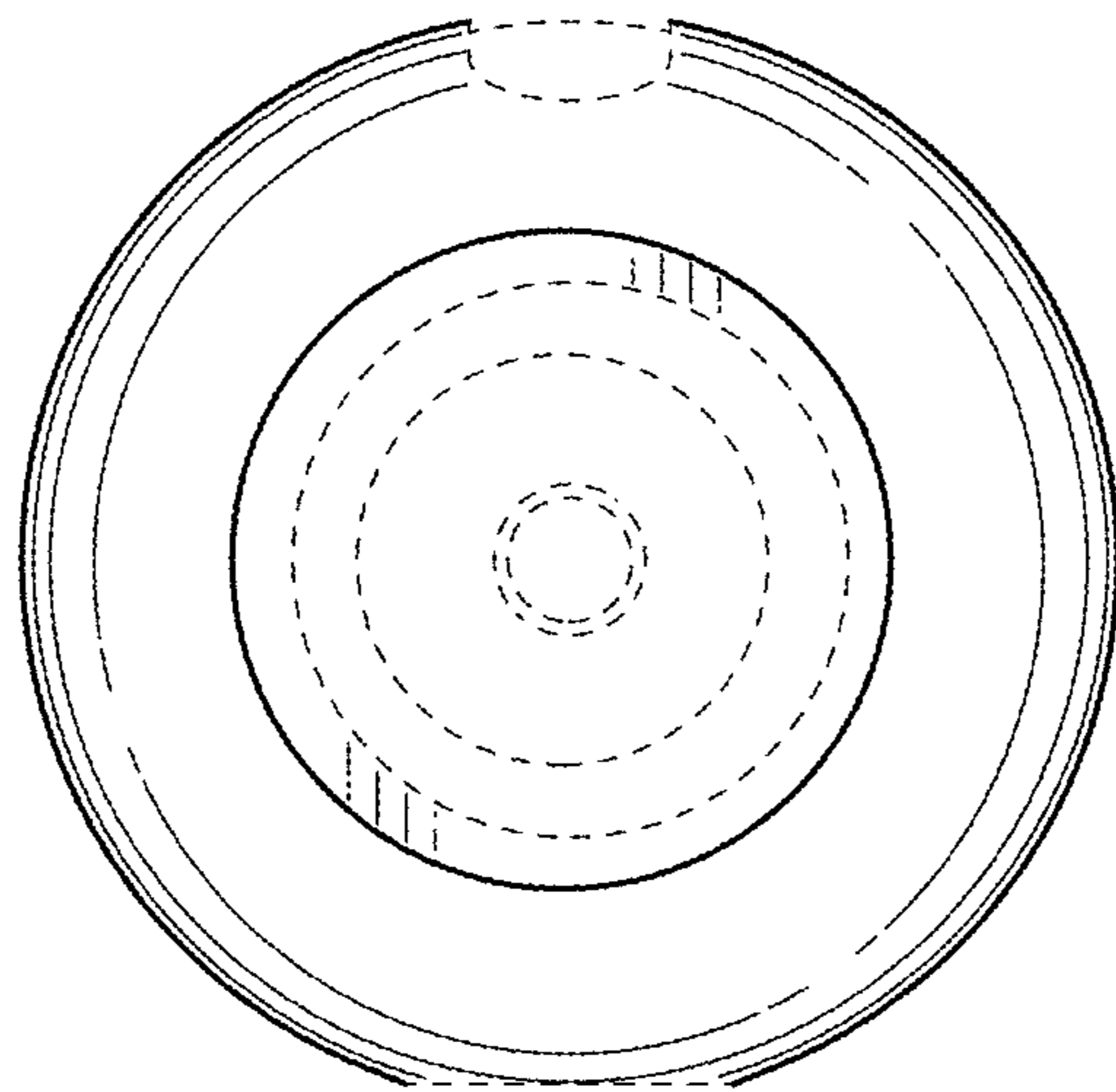


FIG. 7