



US00D780378S

(12) **United States Design Patent**  
**Chow**

(10) **Patent No.:** **US D780,378 S**

(45) **Date of Patent:** **\*\* Feb. 28, 2017**

(54) **EAR MUFF**

(71) Applicant: **Julia Chow**, Templestowe (AU)

(72) Inventor: **Julia Chow**, Templestowe (AU)

(\*\*) Term: **15 Years**

(21) Appl. No.: **29/571,177**

(22) Filed: **Jul. 15, 2016**

(51) **LOC (10) Cl.** ..... **29-02**

(52) **U.S. Cl.**  
USPC ..... **D29/112; D14/205**

(58) **Field of Classification Search**  
USPC ..... D14/205, 188, 192; D29/112; D2/869;  
2/209; 181/129, 130, 135; 379/430, 431;  
381/380, 381, 372, 374; 455/90.3, 575.1;  
128/865, 866, 867  
CPC ..... H04R 25/00; H04R 1/10; H04R 1/1066;  
H04R 1/1016; H04R 5/033; H04R  
5/0335; A61F 11/14; A42B 1/06; A42B  
1/08

See application file for complete search history.

(56) **References Cited**

**U.S. PATENT DOCUMENTS**

1,206,463 A \* 11/1916 Parkinson ..... 273/DIG. 20  
3,085,253 A \* 4/1963 Ulrich ..... A61F 11/14  
181/256  
3,087,028 A \* 4/1963 Bonnin ..... H04M 1/05  
2/209  
D229,833 S \* 1/1974 Becker ..... D14/205

(Continued)

**FOREIGN PATENT DOCUMENTS**

CN 205041997 U 1/2015  
CN 204946385 U 6/2015

(Continued)

**OTHER PUBLICATIONS**

Berger, et al., Hearing protection: Surpassing the limits to attenuation imposed by the bone-conduction pathways, Acoustical Society of America, Oct. 8, 2003, 1955-67, 114(2), United States of America.

*Primary Examiner* — Paula Greene

(57) **CLAIM**

I claim the ornamental design for an ear muff, as shown and described.

**DESCRIPTION**

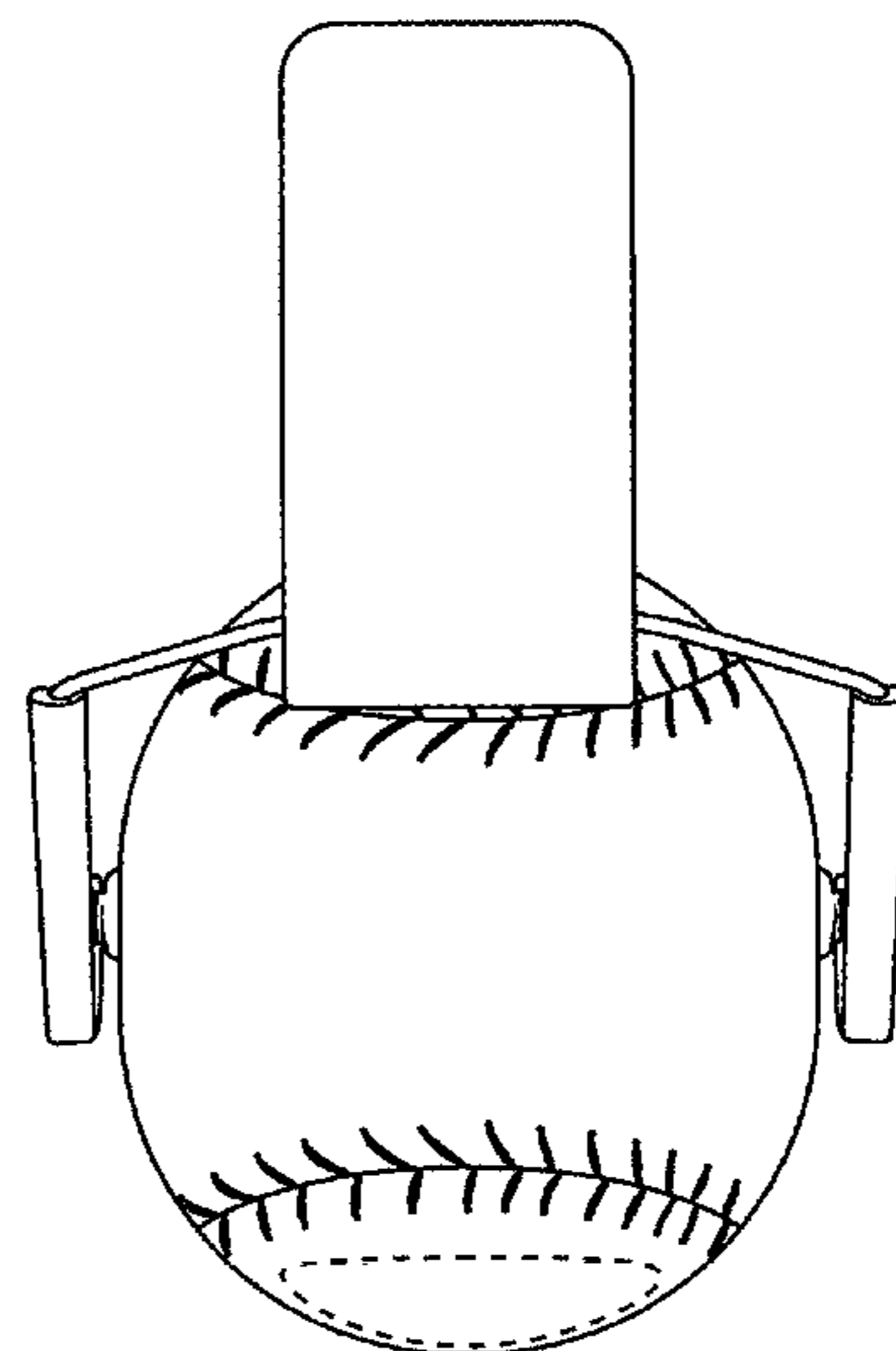
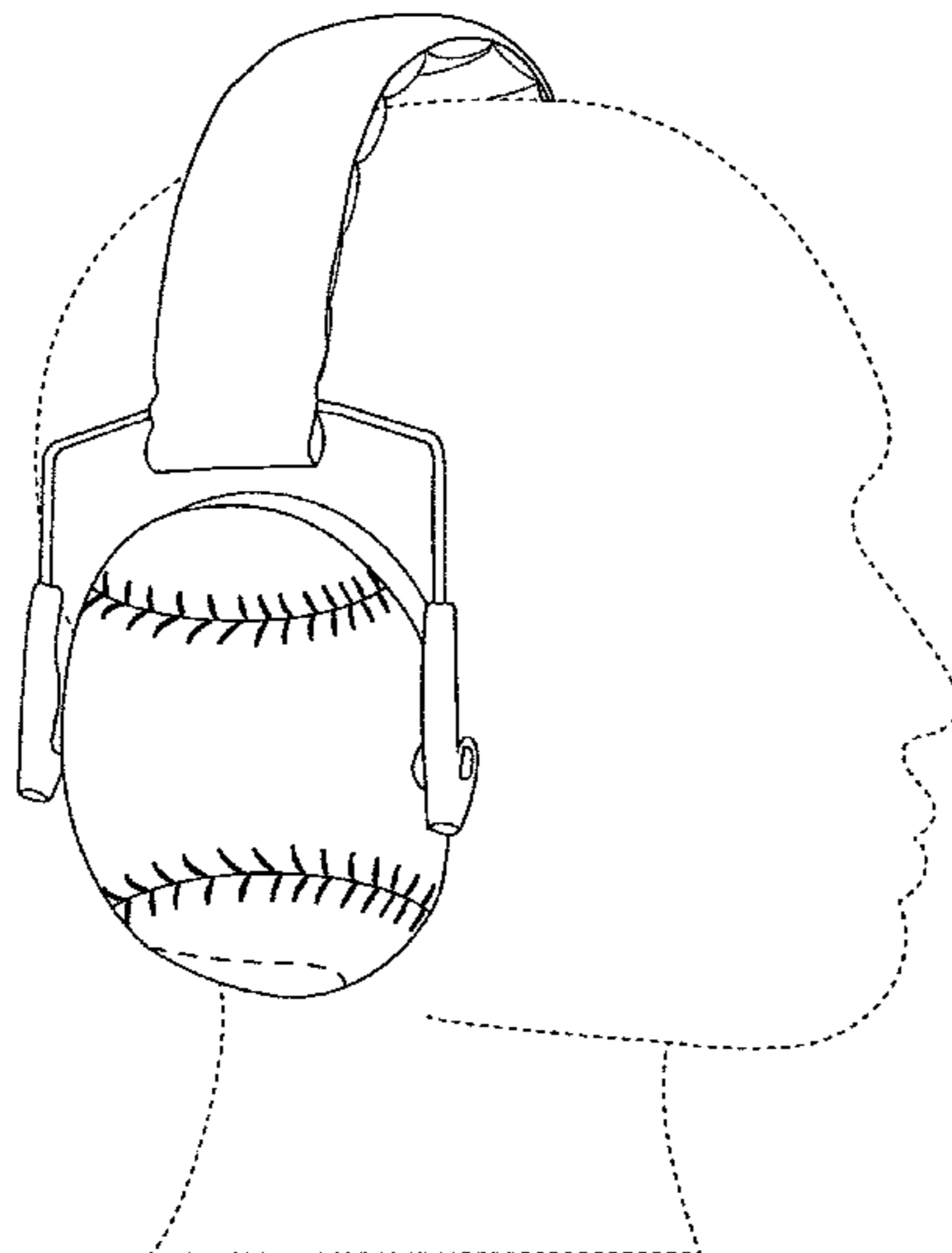
FIG. 1 is a perspective view of an ear muff showing my new design on a head;  
FIG. 2 is a left side view of the ear muff in the unfolded position;  
FIG. 3 is a right side view of FIG. 2;  
FIG. 4 is a front view of FIG. 2;  
FIG. 5 is a rear view of FIG. 2;  
FIG. 6 is a top-down view of FIG. 2;  
FIG. 7 is a bottom-up view of FIG. 2;  
FIG. 8 is a left side view of the ear muff in the folded position;  
FIG. 9 is a right side view of FIG. 8;  
FIG. 10 is a front view of FIG. 8  
FIG. 11 is a rear view of FIG. 8;  
FIG. 12 is a top-down view of FIG. 8; and,  
FIG. 13 is a bottom-up view of FIG. 8.

The broken lines illustrate the environment of the ear muff and form no part of the claimed design.

The ear muff as shown and described is commonly used to reduce noise and protect hearing. The ear muff can also be folded into a ball-like orientation.

The ear muff is characterized by its overall shape in both folded and unfolded positions the headband shape and the surface pattern on the muff caps.

**1 Claim, 13 Drawing Sheets**



(56)

References Cited

U.S. PATENT DOCUMENTS

D230,103 S \* 1/1974 Hyatt, Jr. .... D29/105  
 3,984,885 A \* 10/1976 Yoshimura ..... H04R 5/033  
 381/19  
 D247,433 S \* 3/1978 Fixler ..... 381/378  
 D248,191 S \* 6/1978 Csiki .....  
 D254,616 S \* 4/1980 Tabata ..... D14/205  
 D254,876 S \* 5/1980 Reitenga ..... D14/205  
 D288,141 S \* 2/1987 Pozzini ..... D14/205  
 D291,197 S \* 8/1987 LaLanne ..... D14/205  
 D292,331 S \* 10/1987 Bryant .....  
 D299,337 S \* 1/1989 Wiegel ..... D14/206  
 D311,074 S \* 10/1990 Scott .....  
 D313,092 S \* 12/1990 Nilsson .....  
 D322,071 S \* 12/1991 Bergin ..... D14/205  
 5,068,923 A \* 12/1991 Sjoqvist ..... A61F 11/14  
 181/129  
 D324,523 S \* 3/1992 Hughes ..... D14/205  
 5,185,807 A \* 2/1993 Bergin ..... H04R 1/1066  
 181/128  
 5,241,971 A \* 9/1993 Lundin ..... A61F 11/14  
 128/864  
 5,285,530 A \* 2/1994 Nardone, Jr. .... A61F 11/06  
 2/209  
 5,291,971 A \* 3/1994 Bovis ..... B66B 9/0838  
 187/201  
 D346,882 S \* 5/1994 Bryerton, Sr. ....  
 5,384,857 A \* 1/1995 Nordin ..... A61F 11/14  
 381/374  
 5,407,193 A \* 4/1995 McGinley ..... A63B 43/00  
 473/451  
 D371,639 S \* 7/1996 Schmitt ..... D14/205  
 D390,564 S \* 2/1998 Savona ..... D14/205  
 D403,062 S \* 12/1998 Dix .....  
 D403,126 S \* 12/1998 Scanlon ..... D29/112  
 D405,187 S \* 2/1999 Douglas ..... D24/206  
 D411,200 S \* 6/1999 Almqvist ..... D14/192  
 D413,413 S \* 8/1999 Dillon .....  
 5,996,123 A \* 12/1999 Leight ..... A61F 11/14  
 128/867  
 D420,356 S \* 2/2000 Suzuki ..... D14/205  
 D434,191 S \* 11/2000 Emilsson ..... D29/112  
 D459,034 S \* 6/2002 Dix .....  
 6,654,966 B2 \* 12/2003 Rolla ..... H04R 5/0335  
 2/209  
 6,663,519 B2 \* 12/2003 Kuhn ..... A63B 37/14  
 473/458  
 D493,163 S \* 7/2004 Kay ..... D14/205  
 D497,608 S \* 10/2004 Birgersson .....  
 D512,708 S \* 12/2005 Harris, Jr. .... D14/205

6,993,143 B2 \* 1/2006 Harris ..... H04R 5/0335  
 381/374  
 D520,492 S \* 5/2006 Chen ..... D14/205  
 D580,634 S \* 11/2008 Robinson ..... D2/869  
 D581,394 S \* 11/2008 Lee ..... D14/205  
 D592,833 S \* 5/2009 Bain ..... D2/869  
 D595,014 S \* 6/2009 Tinius .....  
 7,766,120 B2 \* 8/2010 Hansson ..... A61F 11/14  
 181/129  
 D633,894 S \* 3/2011 Meyer .....  
 D690,056 S \* 9/2013 Lancaster .....  
 D729,458 S \* 5/2015 Edwardsson .....  
 D741,550 S \* 10/2015 Edwardsson et al. ....  
 D757,367 S \* 5/2016 Goethals et al. ....  
 D757,681 S \* 5/2016 Kuskin ..... D14/205  
 D763,225 S \* 8/2016 Bin ..... D14/205  
 D766,520 S \* 9/2016 Fletcher ..... D29/112  
 2002/0083510 A1 7/2002 Bavetta et al. ....  
 2002/0104152 A1 8/2002 Schmitt et al. ....  
 2003/0037366 A1 2/2003 Lindgren .....  
 2003/0037988 A1 2/2003 Warring et al. ....  
 2003/0159197 A1 8/2003 Daw .....  
 2004/0125976 A1 \* 7/2004 Reneker ..... H04R 1/1041  
 381/372  
 2004/0184635 A1 9/2004 Natvig .....  
 2004/0216947 A1 11/2004 Warring et al. ....  
 2005/0015852 A1 1/2005 Brhel .....  
 2005/0028250 A1 2/2005 Zaic .....  
 2005/0132472 A1 6/2005 Allcorn .....  
 2005/0241047 A1 11/2005 Bavetta et al. ....  
 2005/0283882 A1 12/2005 Berger et al. ....  
 2007/0199133 A1 8/2007 Bavetta et al. ....  
 2009/0205900 A1 \* 8/2009 Purcell ..... A61F 11/14  
 181/129  
 2010/0146682 A1 6/2010 Lancaster .....  
 2010/0177904 A1 7/2010 Sung et al. ....  
 2010/0281605 A1 11/2010 Pereira .....  
 2011/0085693 A1 4/2011 Jensen .....  
 2011/0170718 A1 7/2011 Fukuda et al. ....  
 2012/0014532 A1 1/2012 Kimura .....  
 2012/0131732 A1 5/2012 Bavetta et al. ....  
 2012/0324626 A1 12/2012 Torreggiani .....  
 2013/0322677 A1 12/2013 Jensen .....  
 2013/0340769 A1 \* 12/2013 Roos ..... A61F 11/14  
 128/866  
 2015/0003623 A1 1/2015 Rasmussen .....  
 2016/0142811 A1 5/2016 Honda et al. ....

FOREIGN PATENT DOCUMENTS

CN 205018488 U 9/2015  
 CN 105193543 A 12/2015  
 CN 204906659 U 12/2015

\* cited by examiner

FIG 1

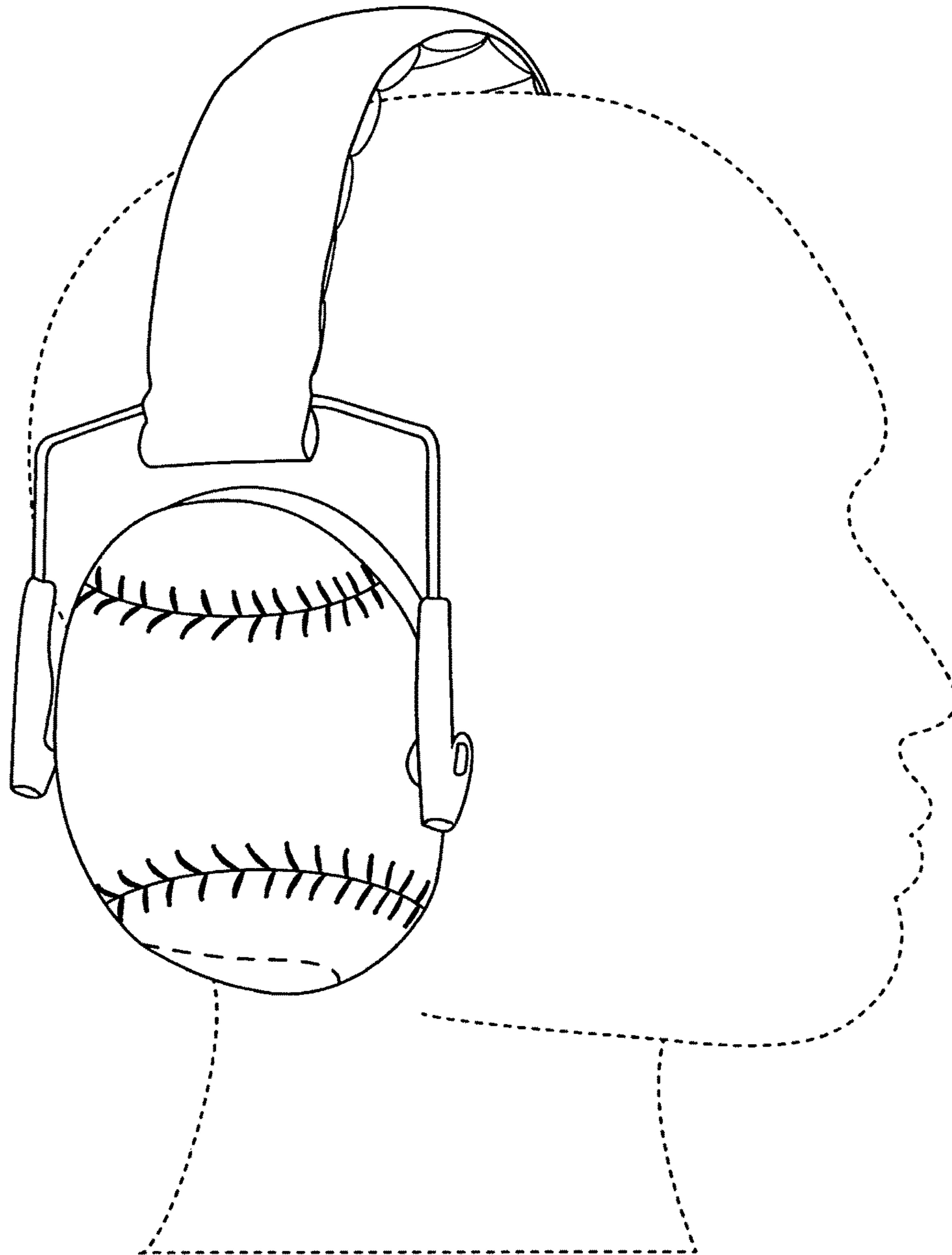


FIG 2

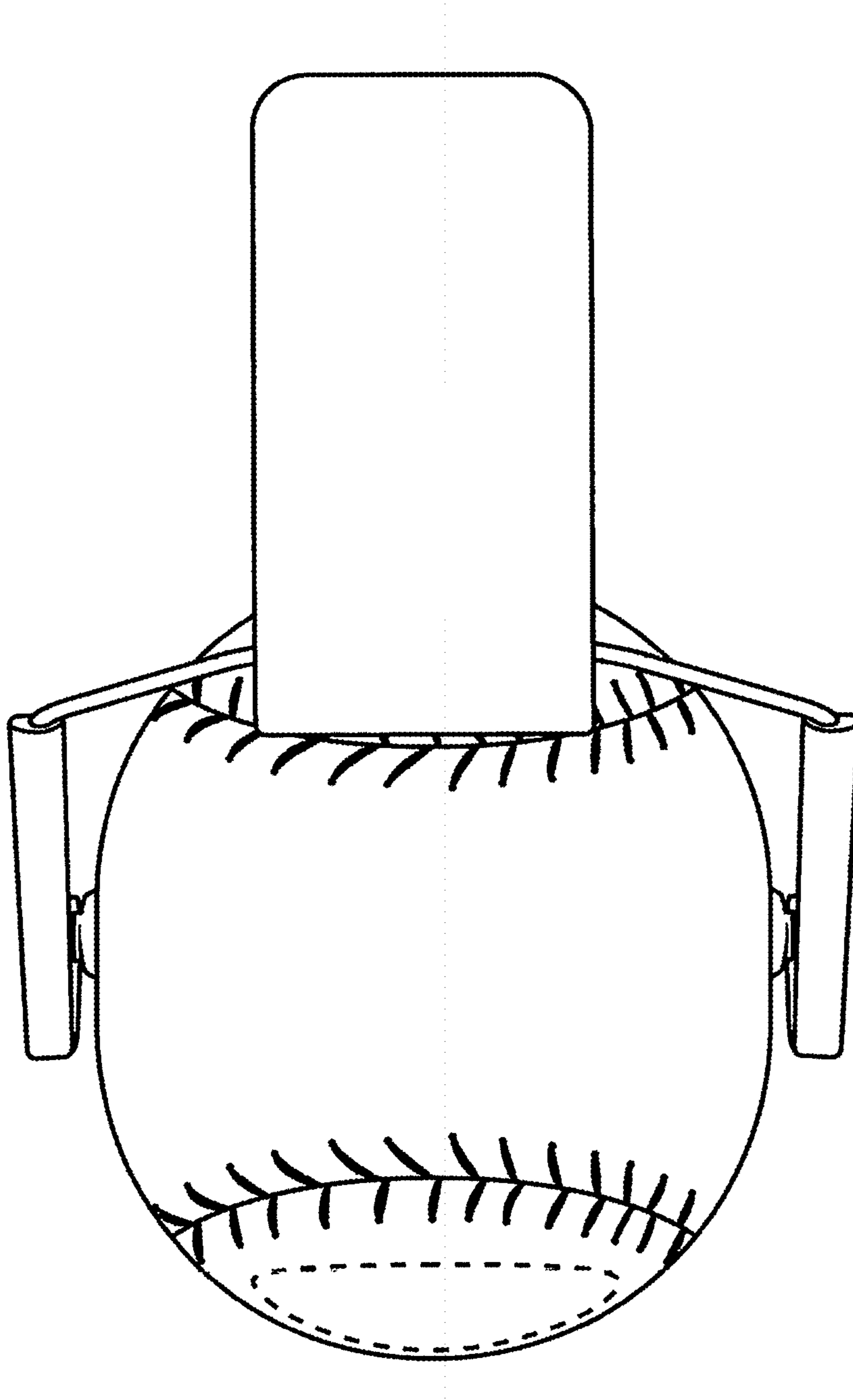


FIG 3

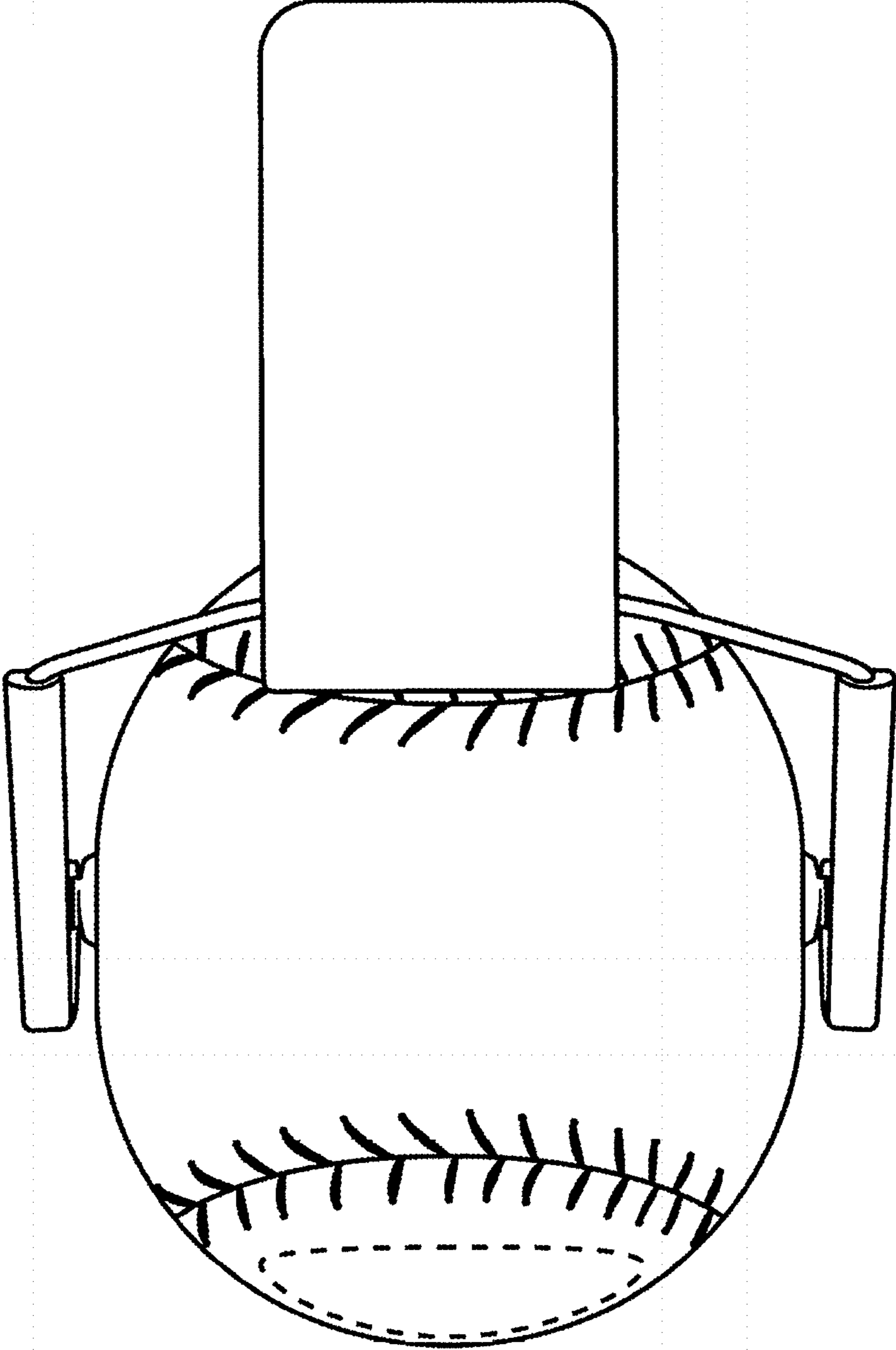


FIG 4

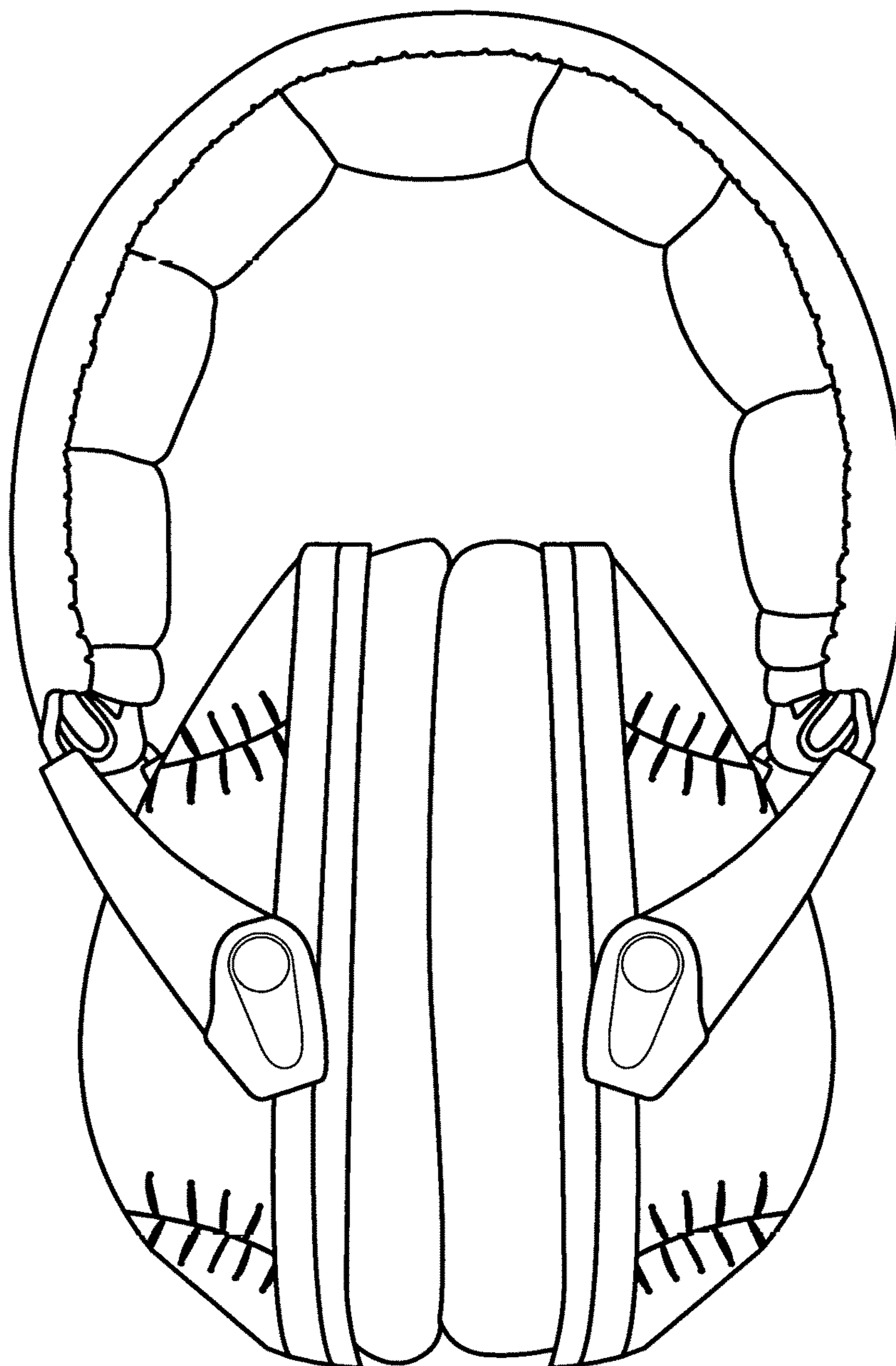


FIG 5

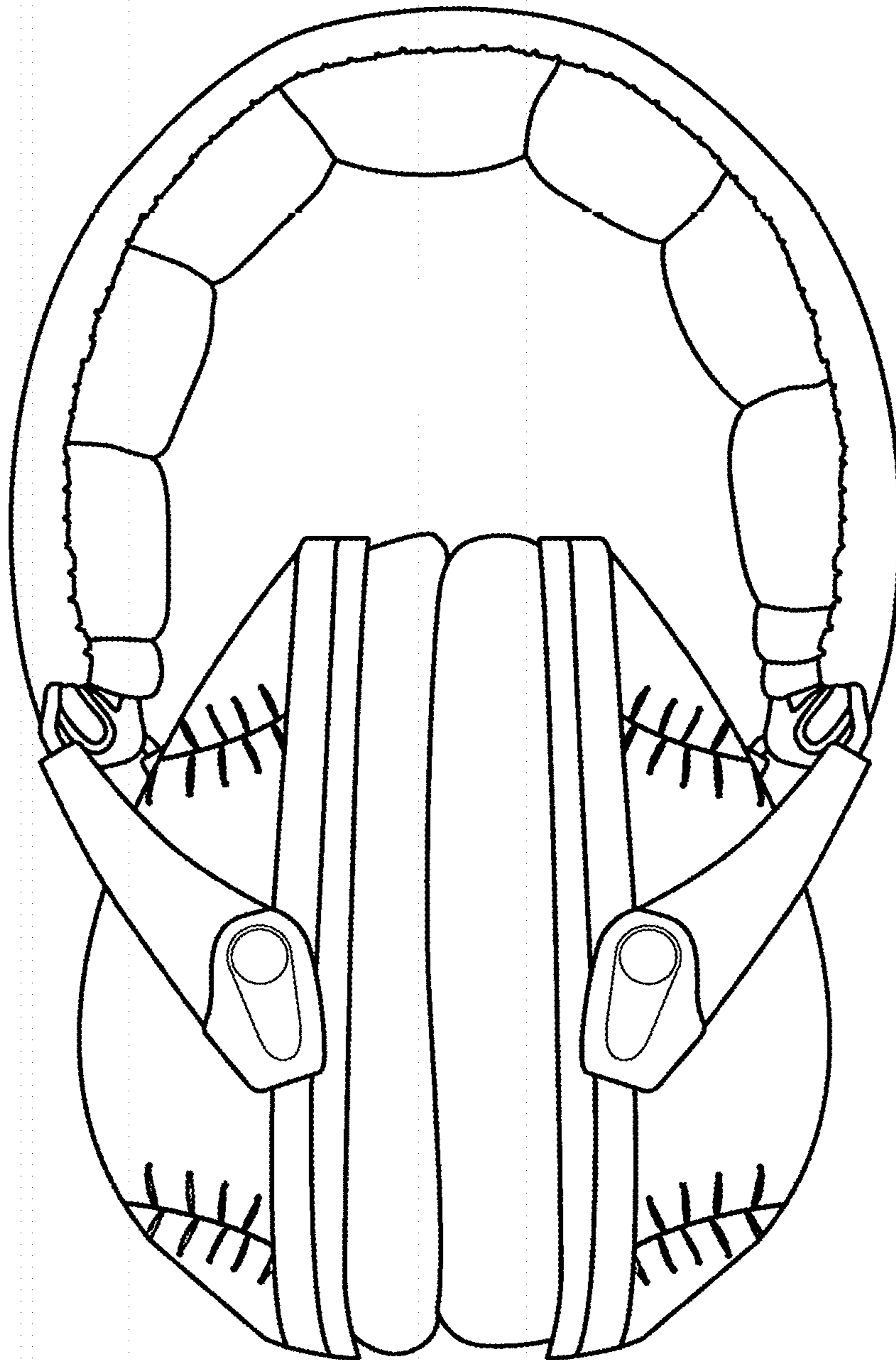


FIG 6

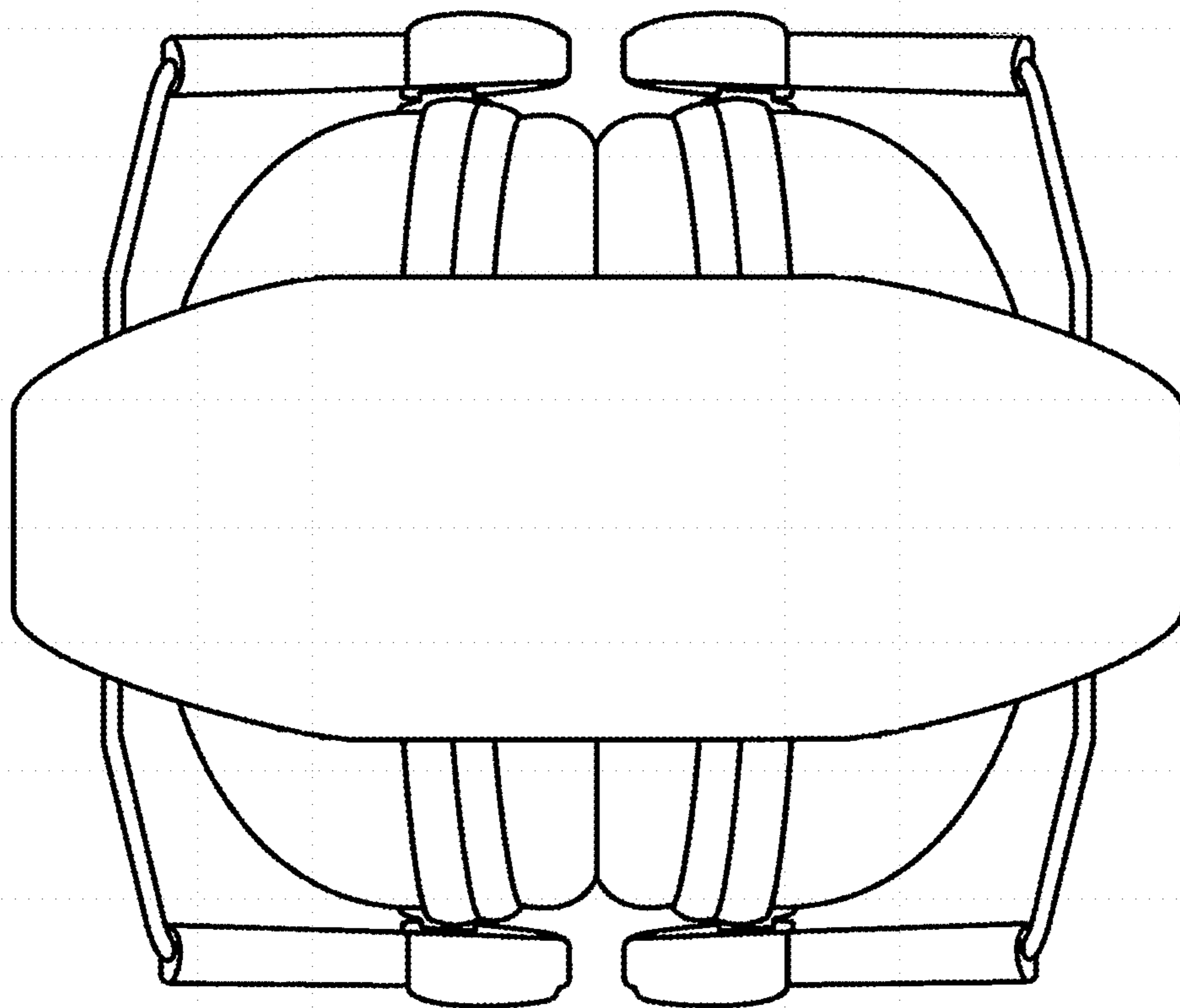




FIG 7

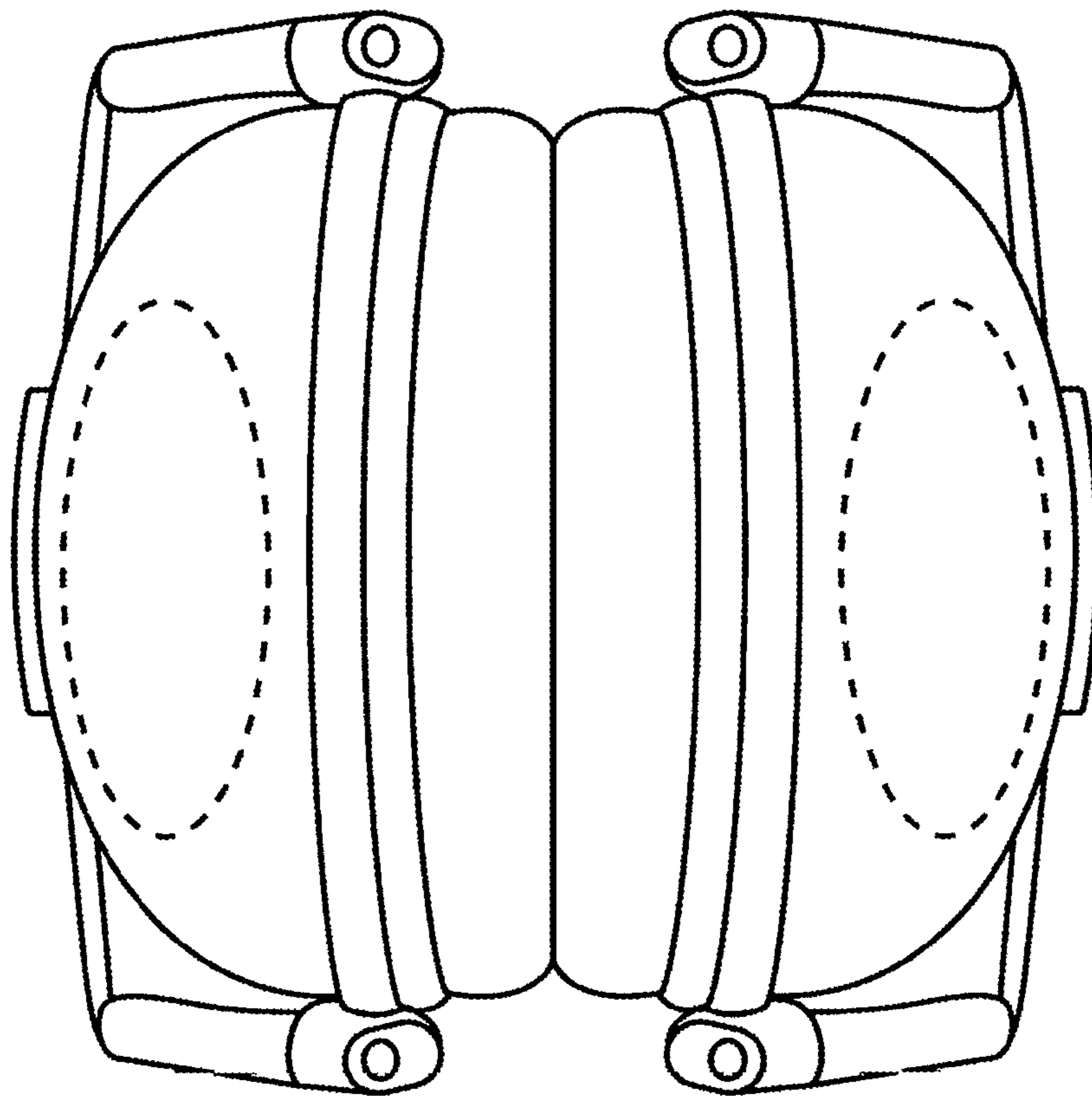


FIG 8

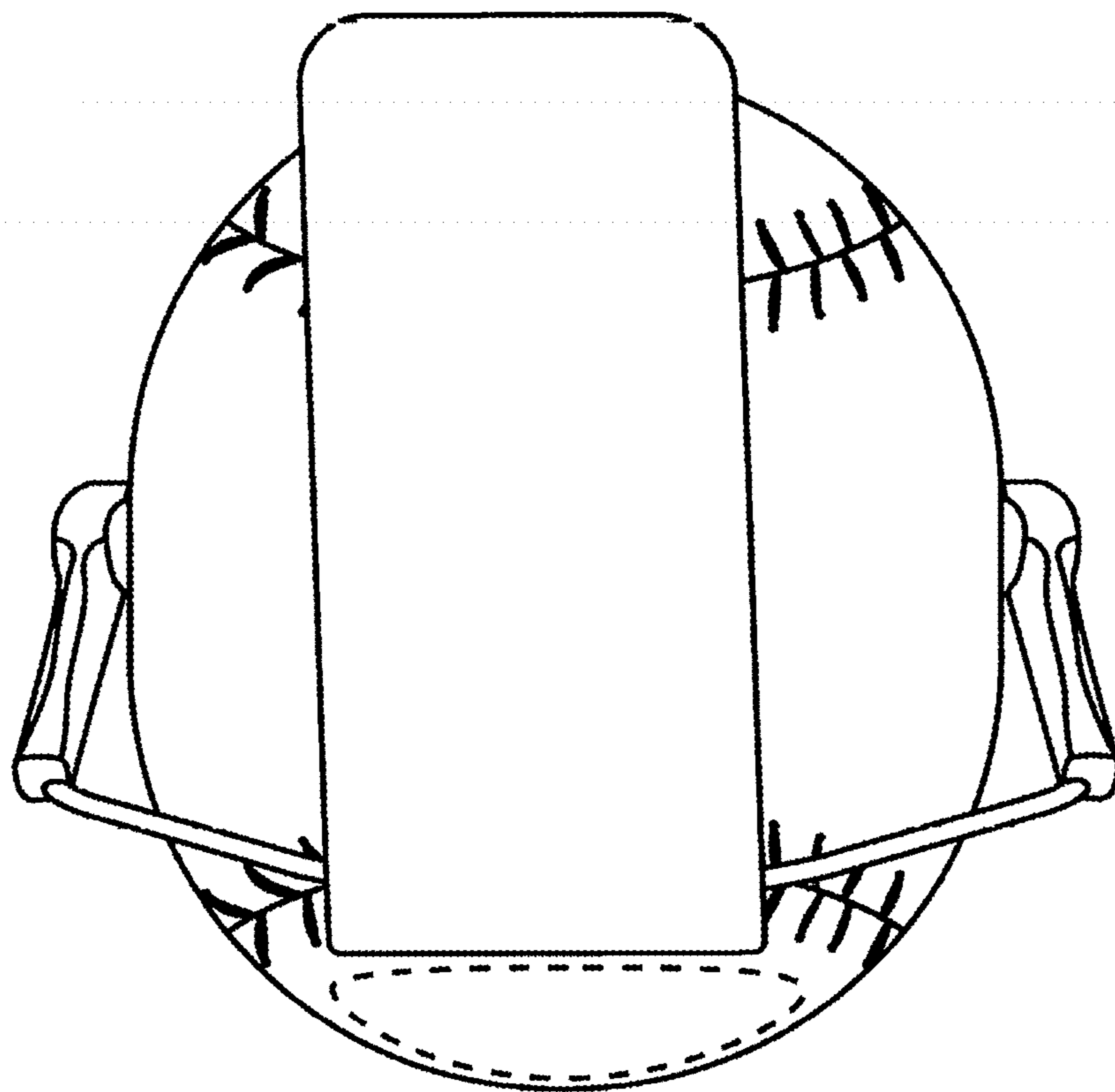


FIG 9

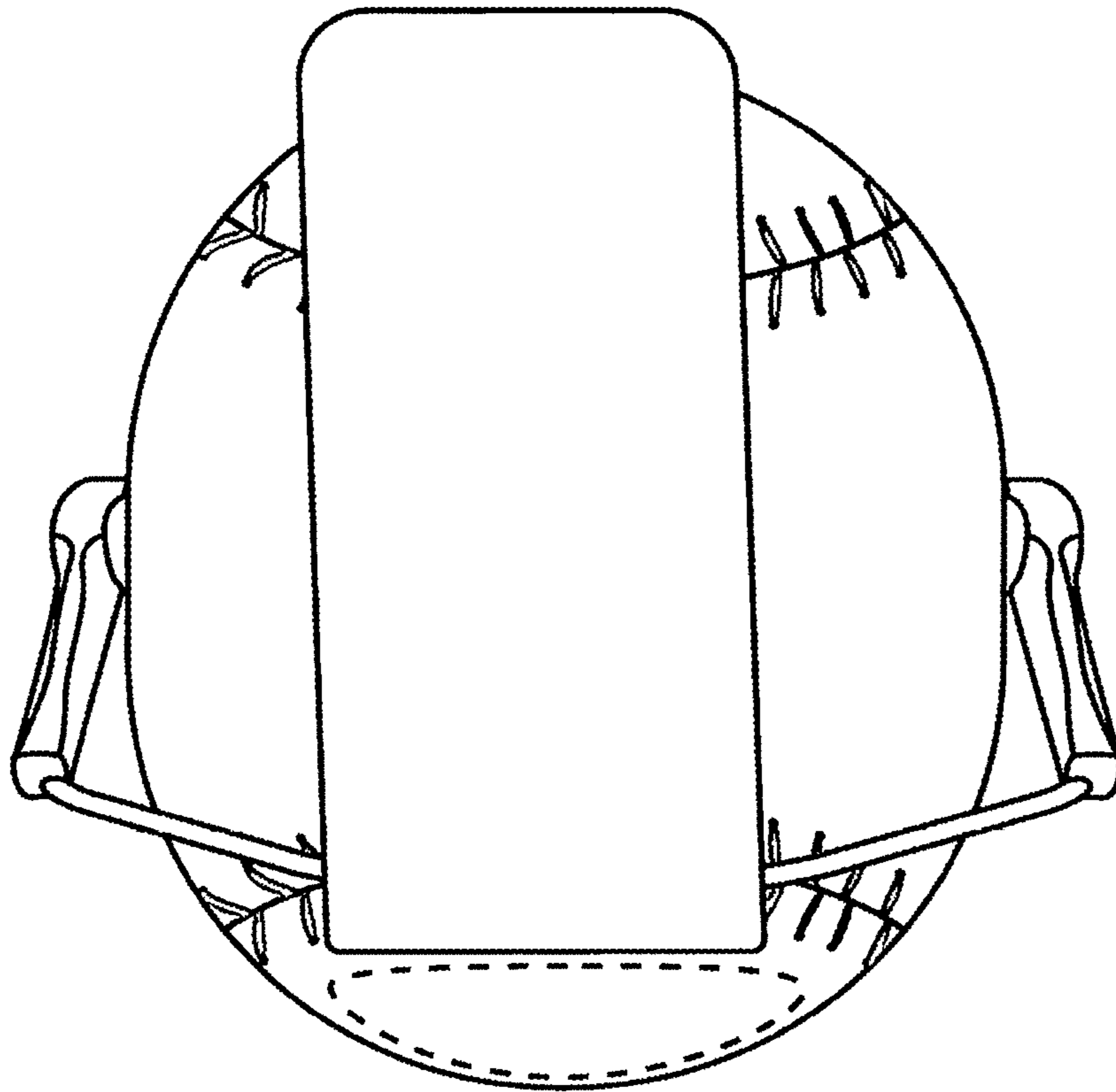


FIG 10

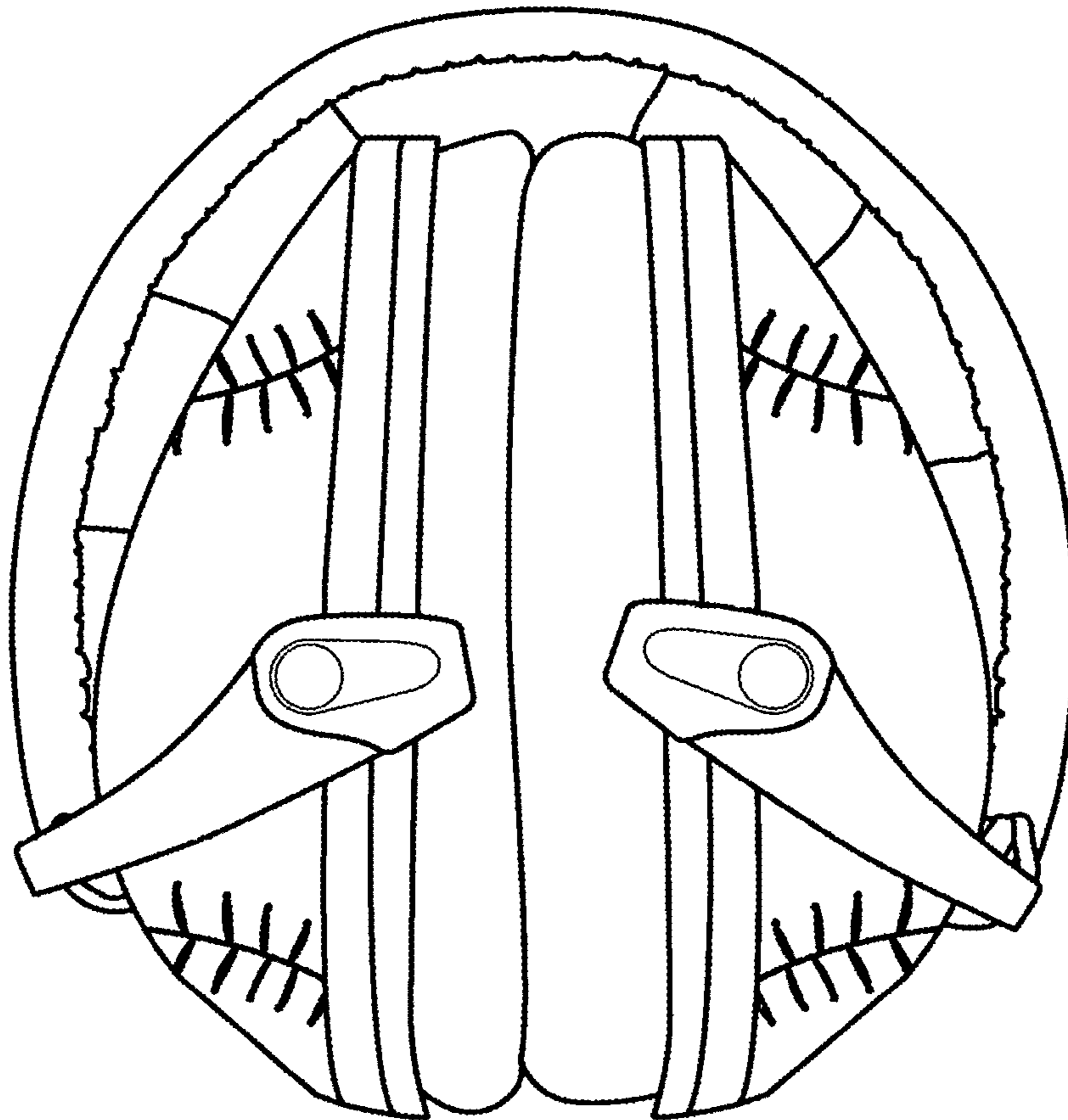


FIG 11

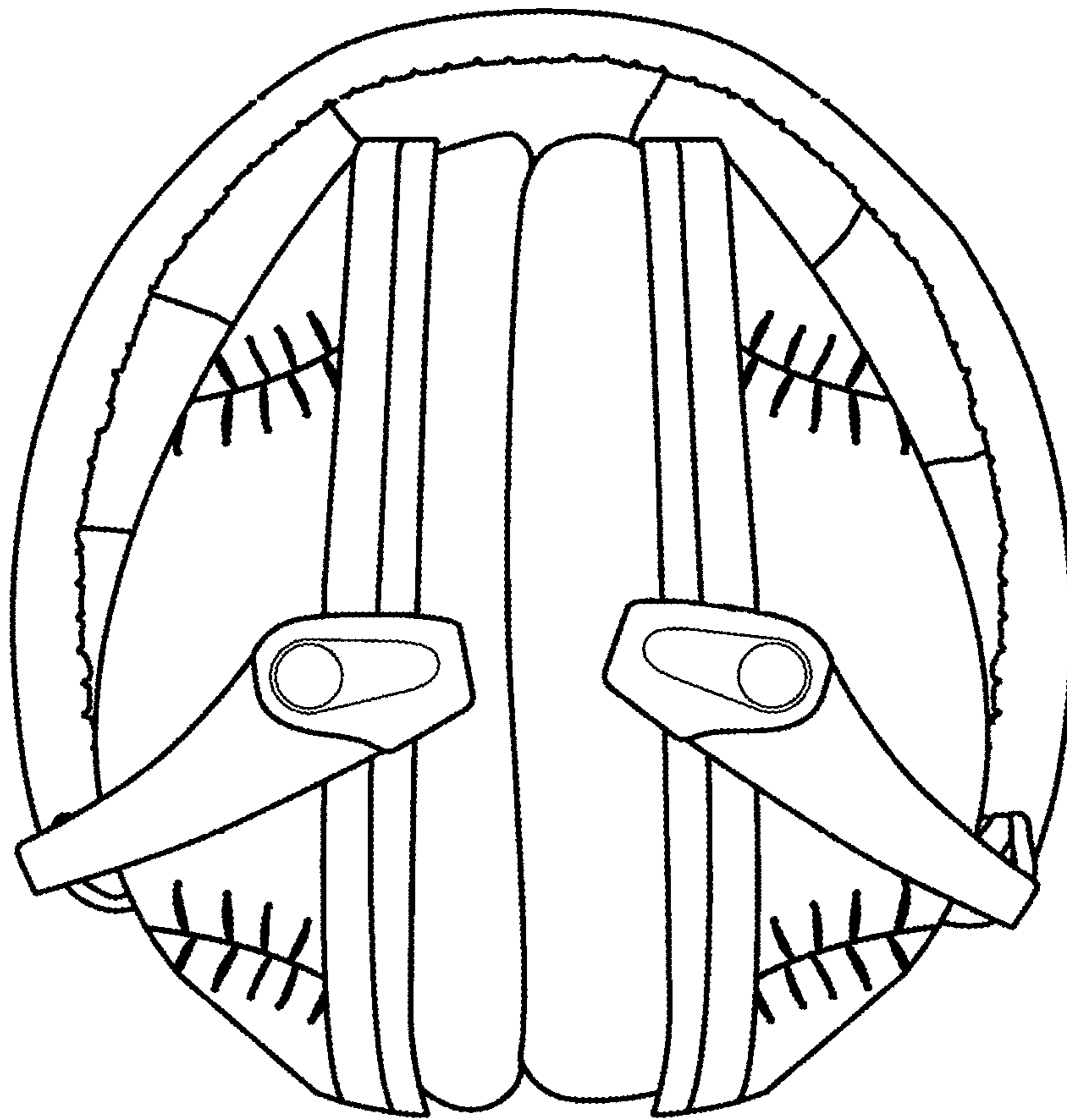


FIG 12

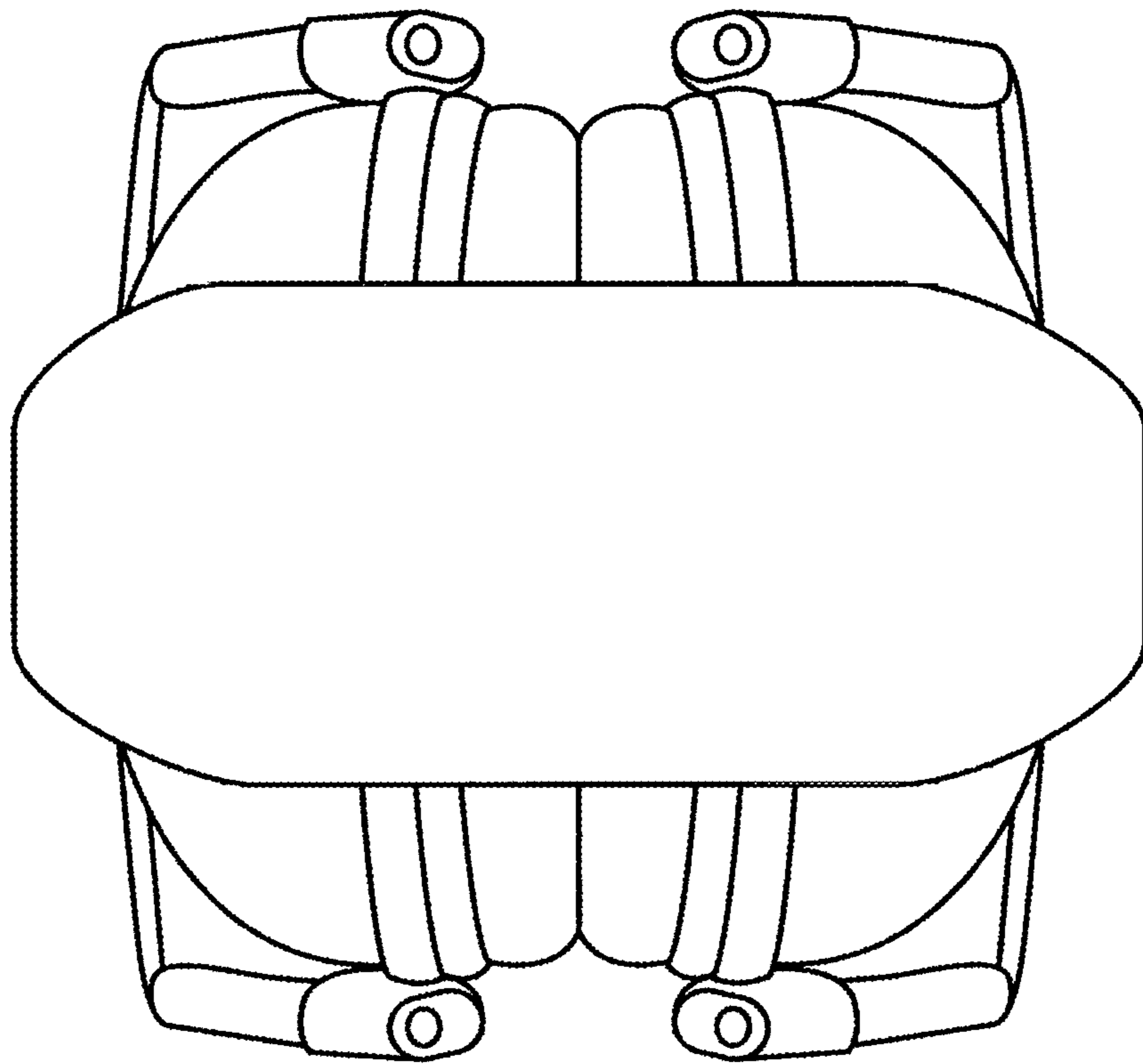


FIG 13

