



US00D780375S

(12) **United States Design Patent** (10) **Patent No.:** **US D780,375 S**
Grierson (45) **Date of Patent:** **** Feb. 28, 2017**

(54) **HAIR CLIP**

Primary Examiner — Zenia Bennett

(71) Applicant: **Christy Grierson**, San Luis Obispo, CA (US)

(74) *Attorney, Agent, or Firm — SoCal IP Law Group LLP; M. Kala Sarvaiya; Mark A. Goldstein*

(72) Inventor: **Christy Grierson**, San Luis Obispo, CA (US)

(57) **CLAIM**

(**) Term: **14 Years**

The ornamental design for a hair clip, as shown and described.

(21) Appl. No.: **29/522,788**

(22) Filed: **Apr. 2, 2015**

DESCRIPTION

(51) **LOC (10) Cl.** **28-03**

(52) **U.S. Cl.**
USPC **D28/40**

(58) **Field of Classification Search**
USPC D28/21–34, 39–43; 132/101, 126,
132/128–131, 144, 148, 219, 275–284
CPC A45D 8/24
See application file for complete search history.

A portion of the disclosure of this patent document contains material which is subject to copyright protection. This patent document may show and/or describe matter which is or may become trade dress of the owner, Christy Grierson. The copyright and trade dress owner has no objection to the facsimile reproduction by anyone of the patent disclosure as it appears in the Patent and Trademark Office patent files or records, but otherwise reserve all copyright and trade dress rights whatsoever.

(56) **References Cited**

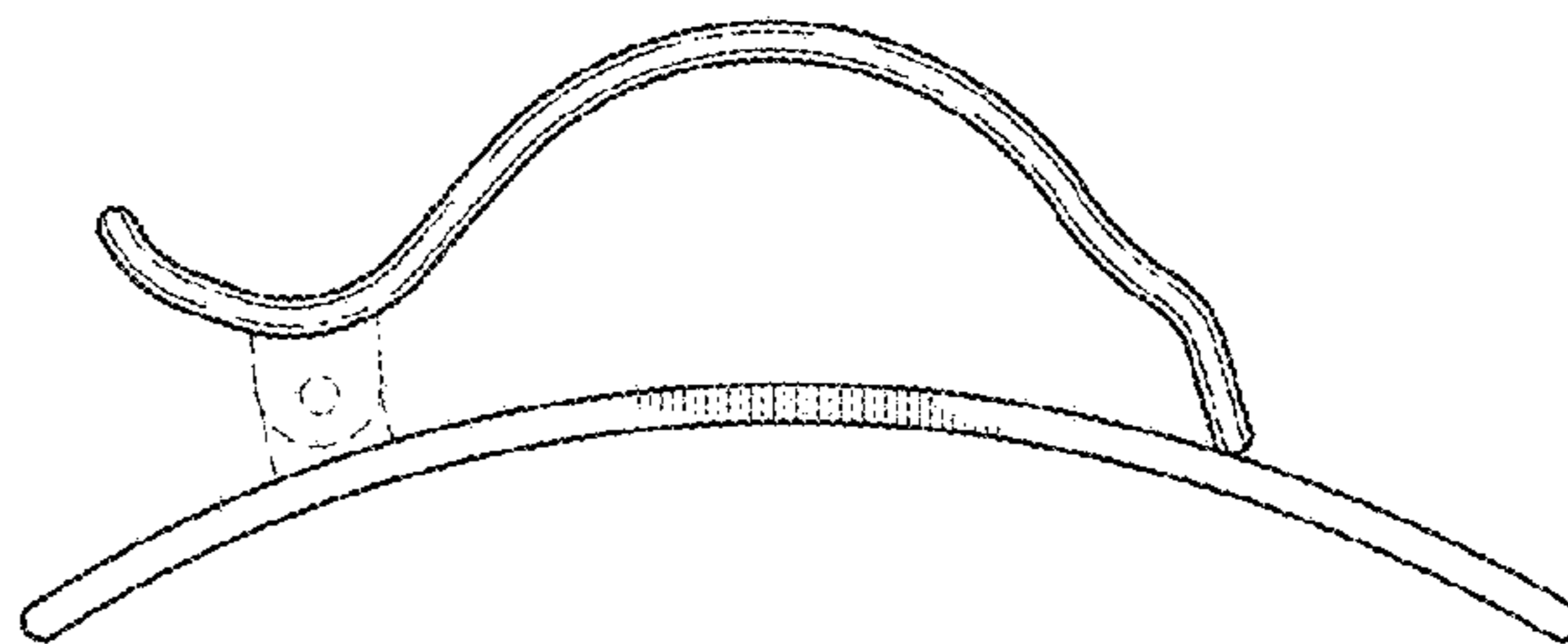
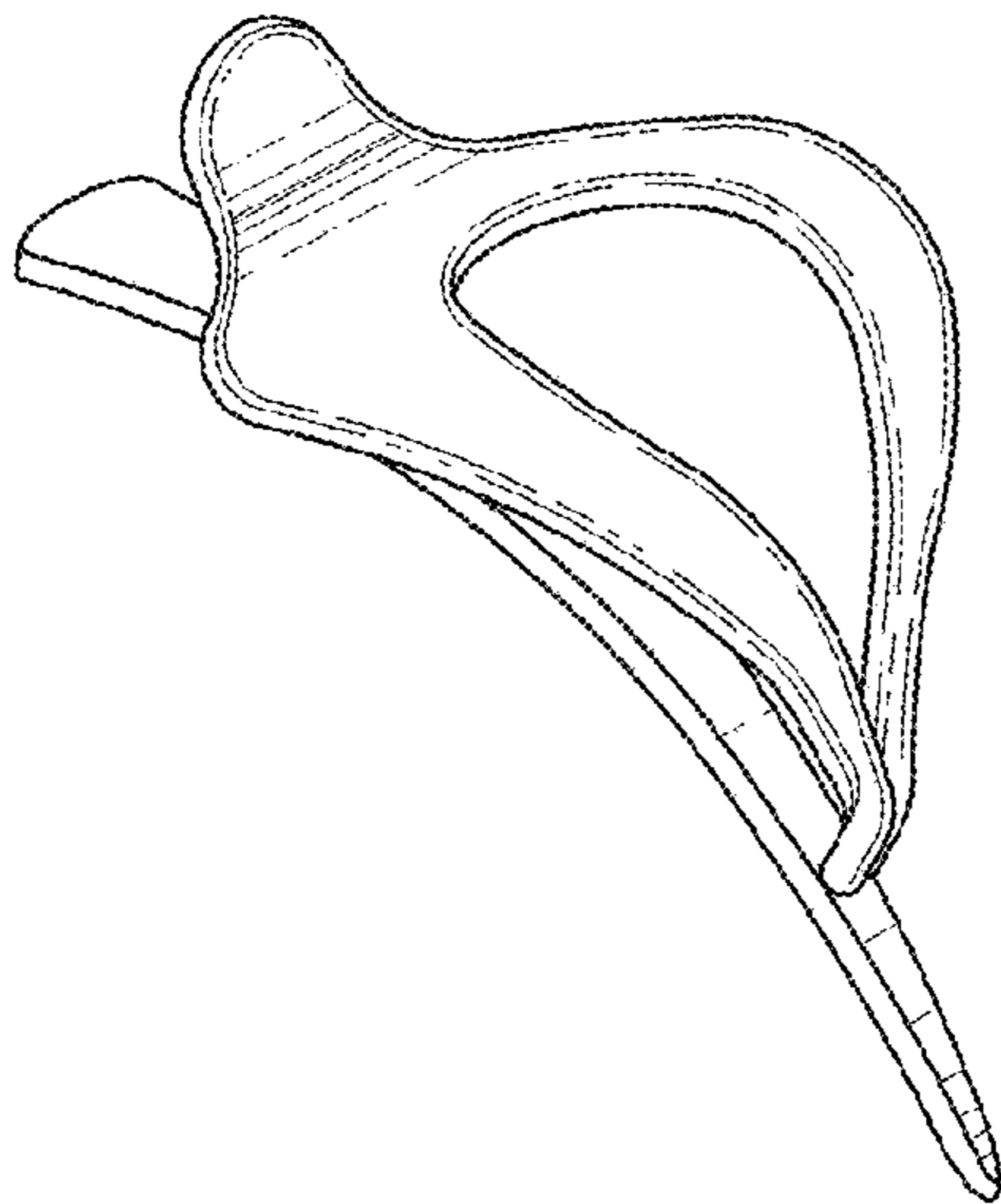
U.S. PATENT DOCUMENTS

D270,296 S *	8/1983	Thomas	D28/31
5,896,865 A *	4/1999	Patel	A45D 8/24
				132/277
D410,568 S *	6/1999	Yasuda	D28/39
D415,312 S *	10/1999	Yasuda	D28/40
6,019,108 A *	2/2000	Chen	A45D 8/20
				132/273
D454,657 S *	3/2002	Lau	D28/40
D566,895 S *	4/2008	Vergona	D28/40
D586,503 S *	2/2009	Lau	D28/39
D632,432 S *	2/2011	Holloway	D28/40
D656,273 S *	3/2012	Lau	D28/42

FIG. 1 is a front, top and right side perspective view of a hair clip.
FIG. 2 is a rear, bottom perspective view thereof.
FIG. 3 is a front elevation view thereof.
FIG. 4 is a rear elevation view thereof.
FIG. 5 is a top plan view thereof.
FIG. 6 is a bottom plan view thereof.
FIG. 7 is a left side elevation view thereof; and,
FIG. 8 is a right side elevation view thereof.
The broken lines (where present) in all Figs. illustrate portions of the hair clip that form no part of the claimed design.

* cited by examiner

1 Claim, 4 Drawing Sheets



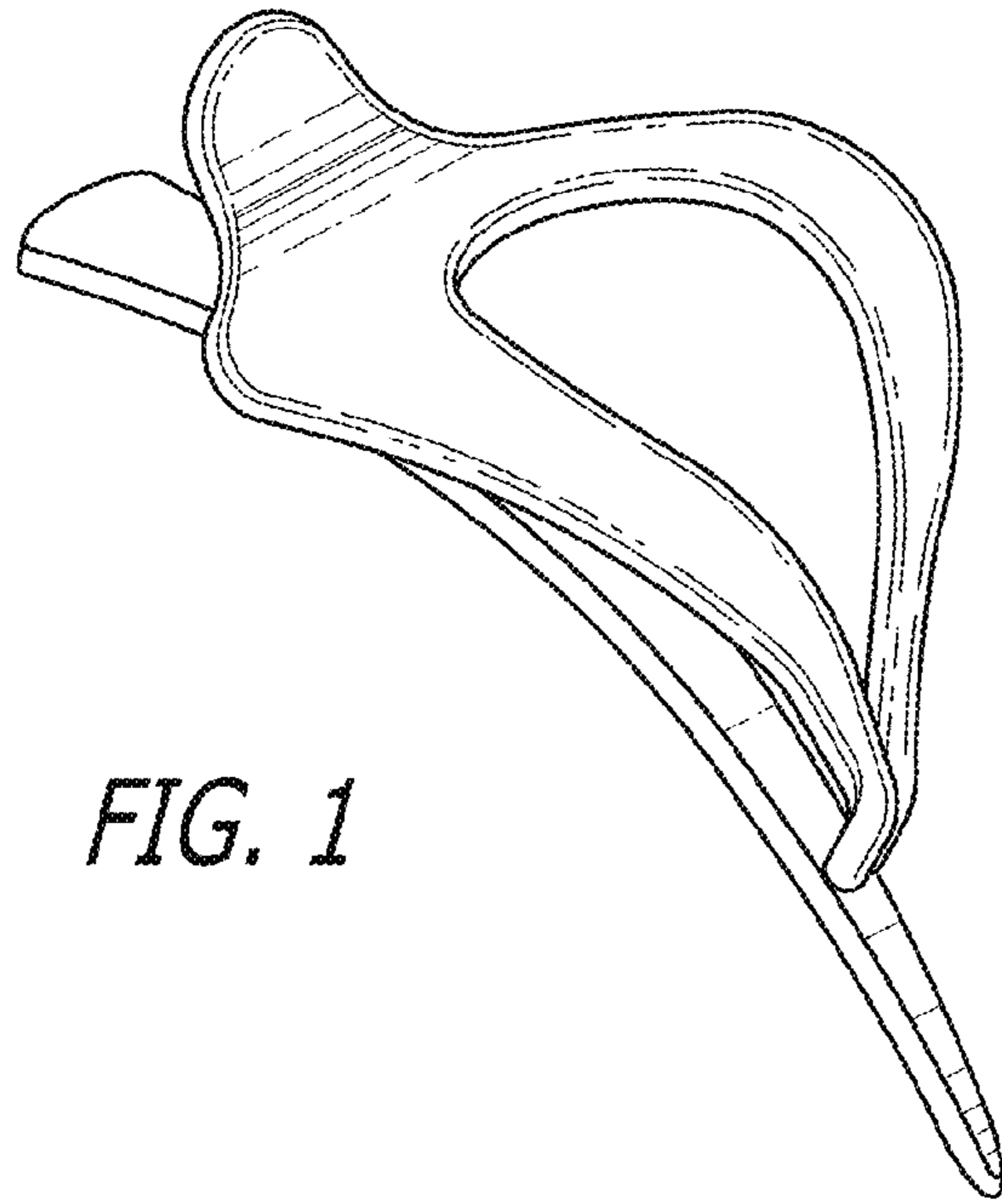


FIG. 1

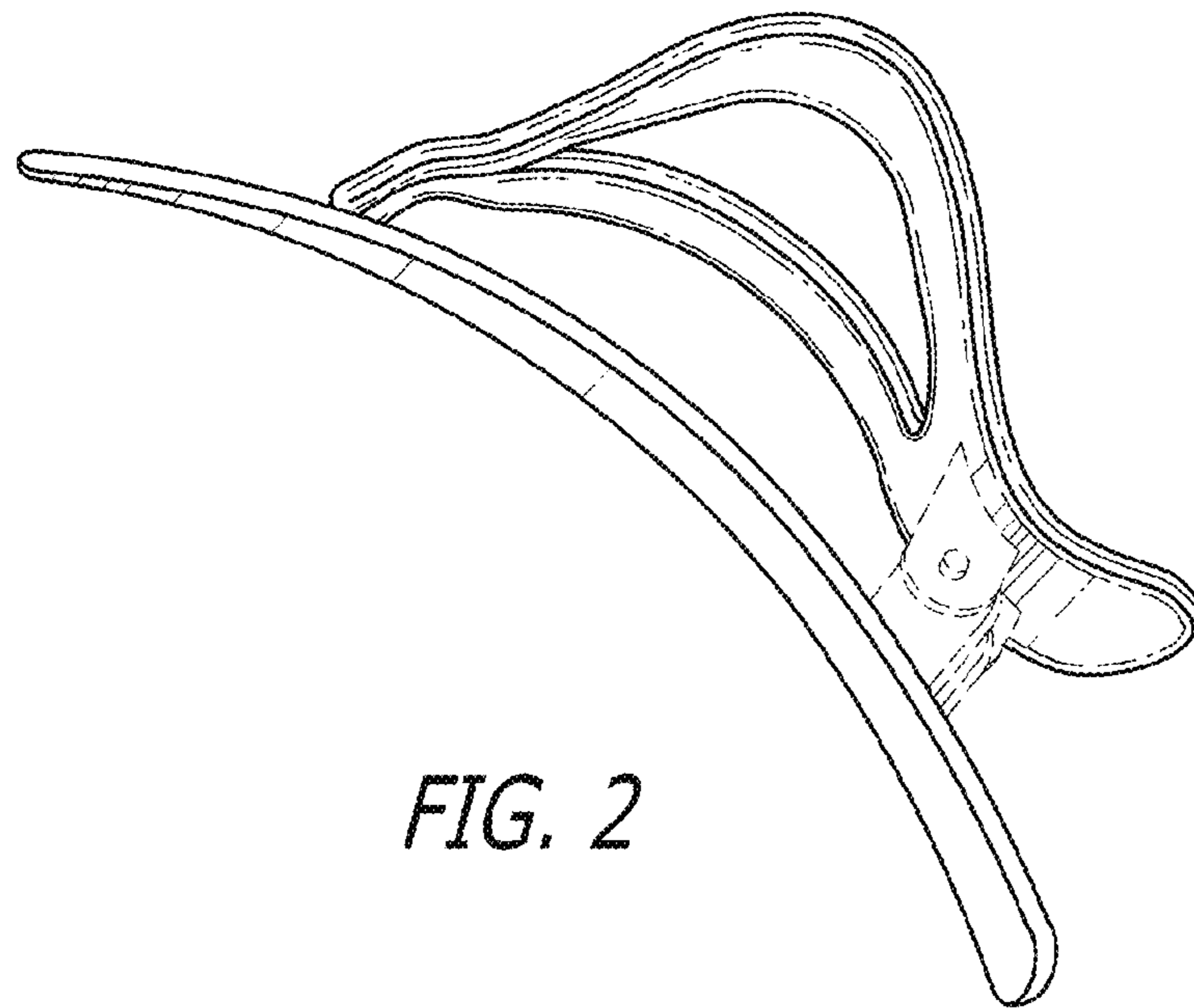


FIG. 2

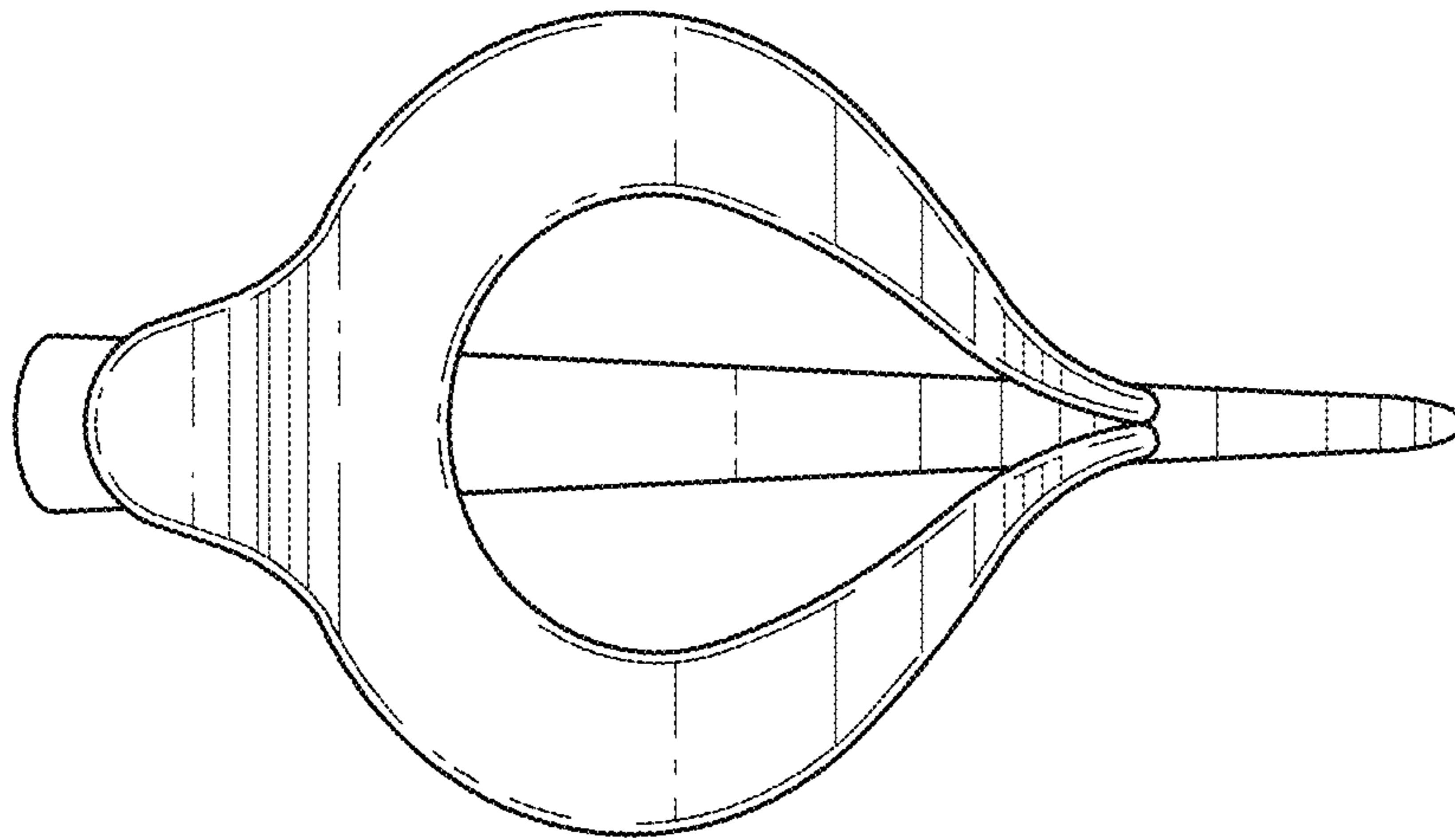


FIG. 3

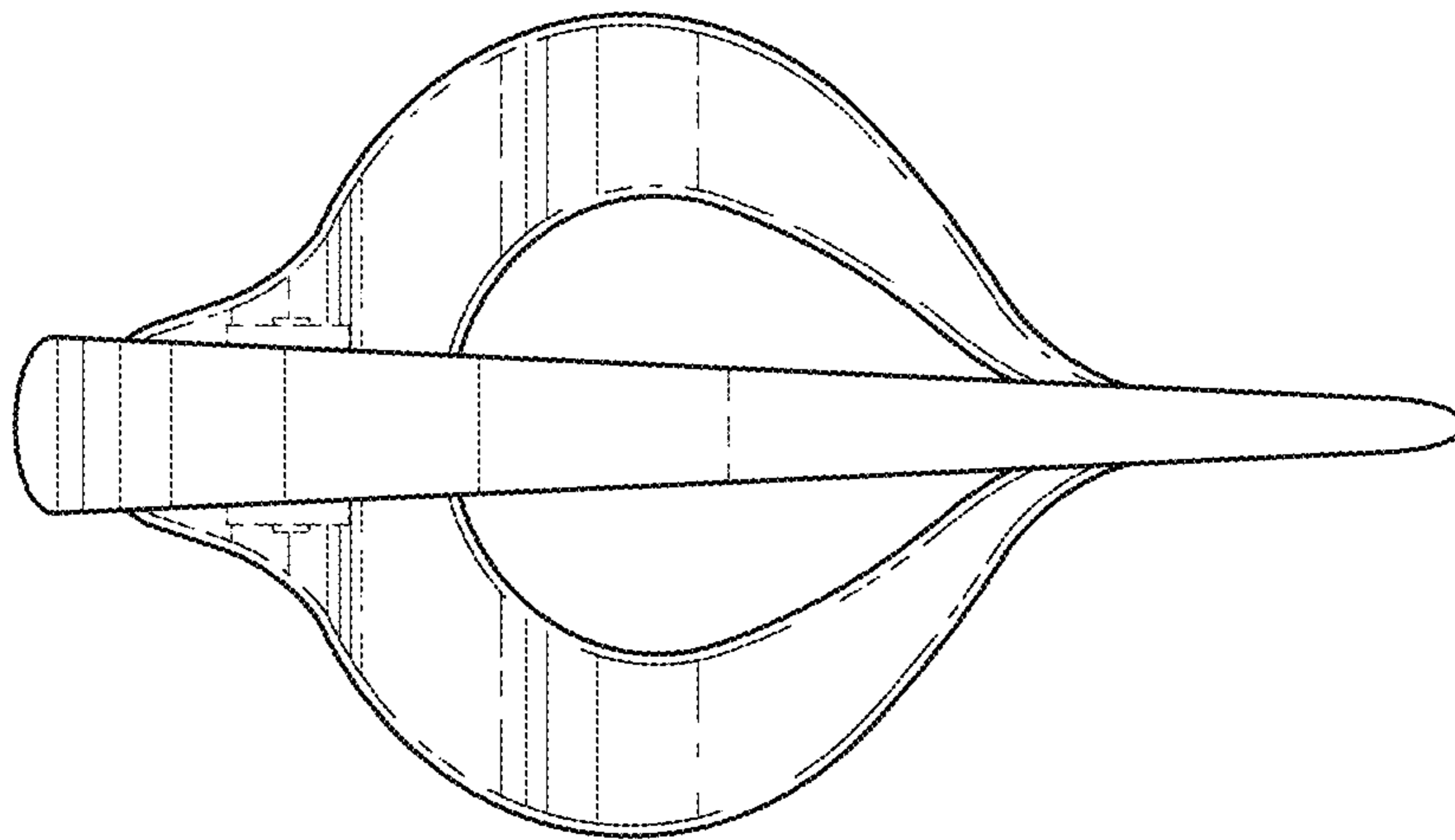


FIG. 4

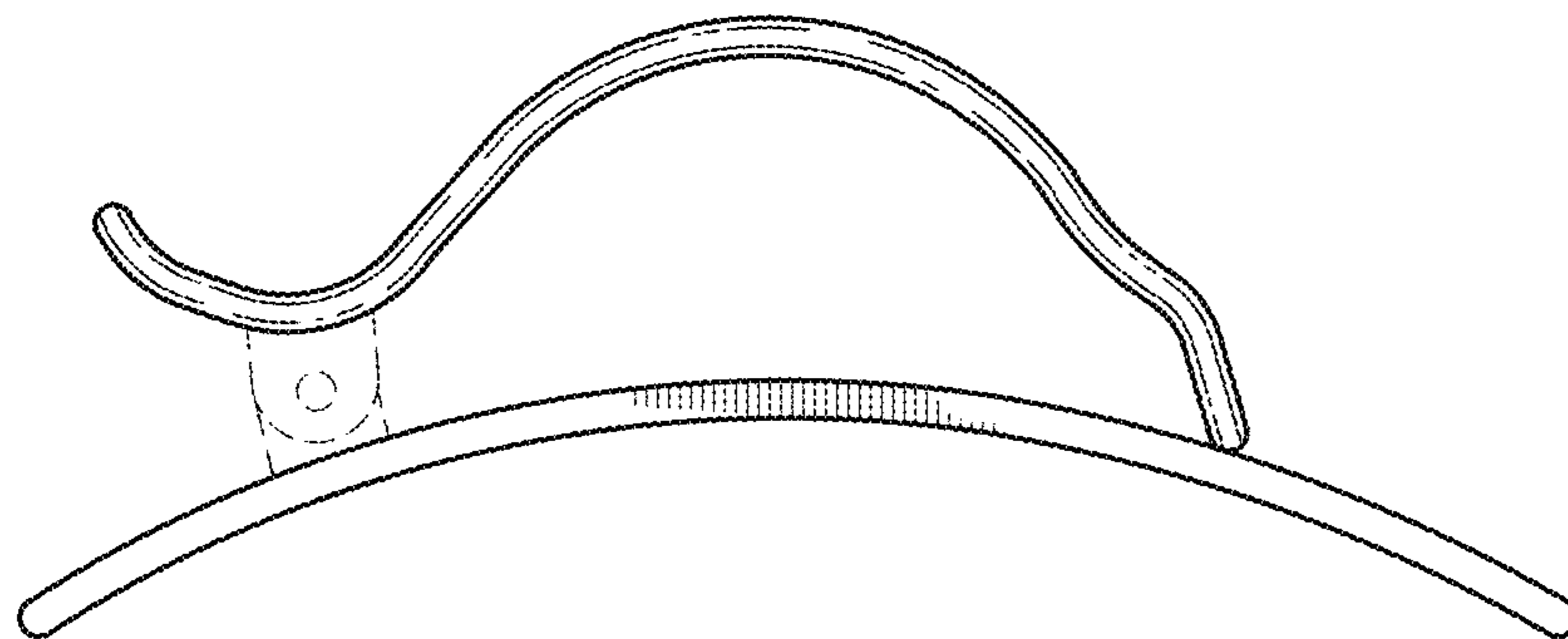


FIG. 5

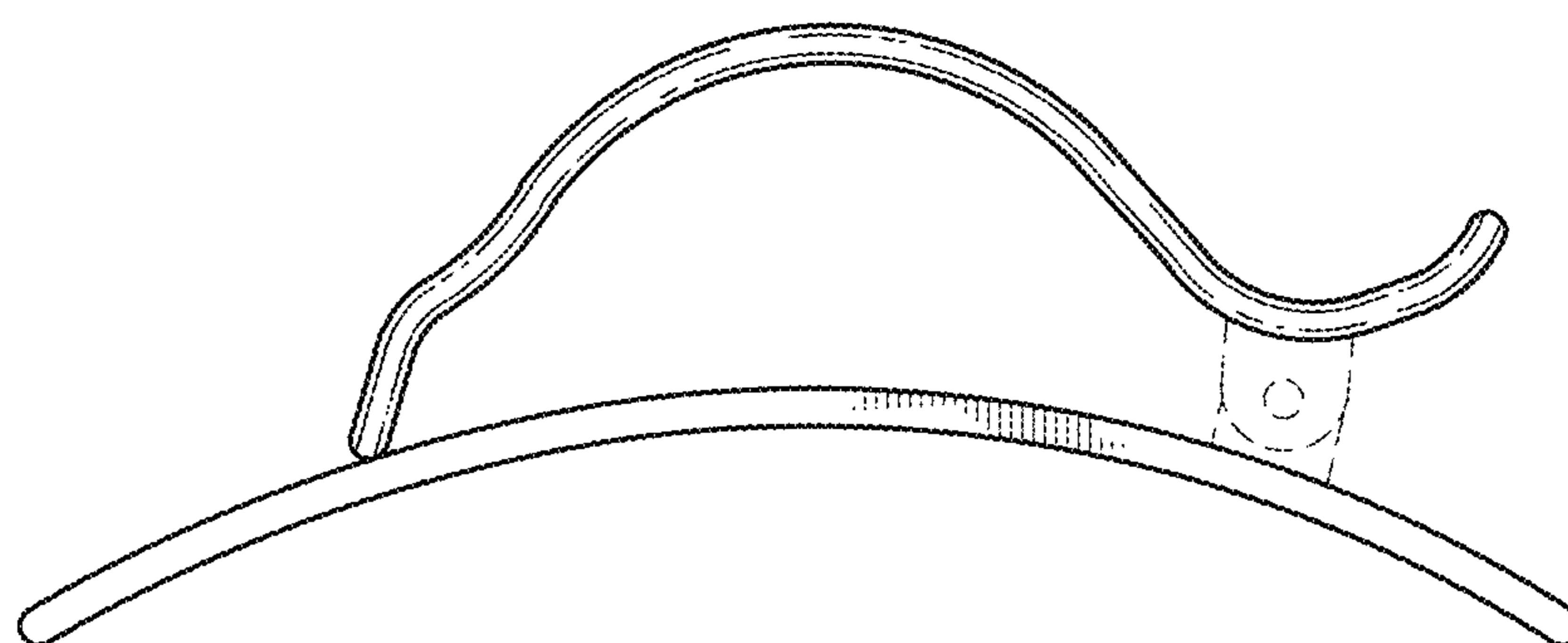


FIG. 6

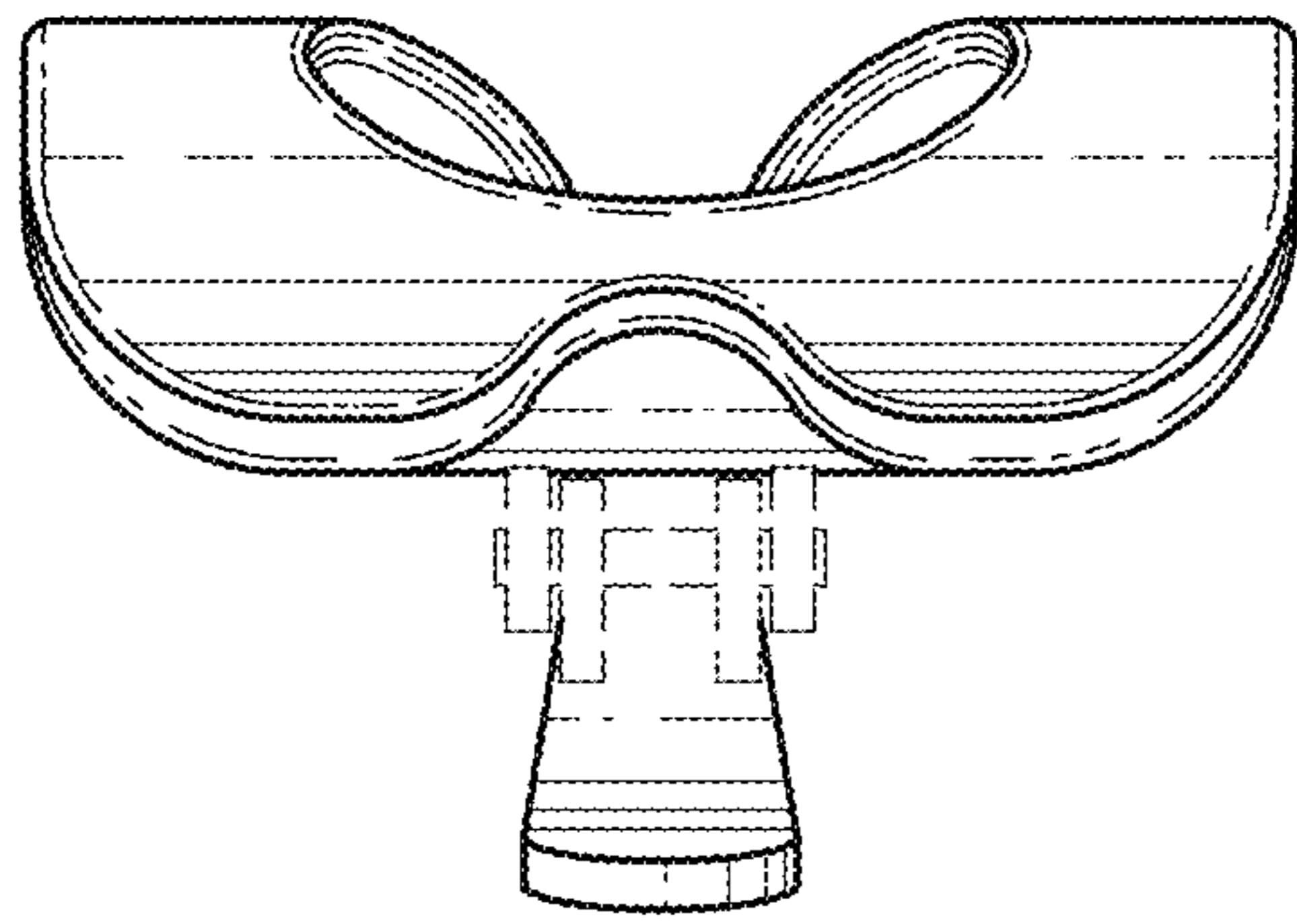


FIG. 7

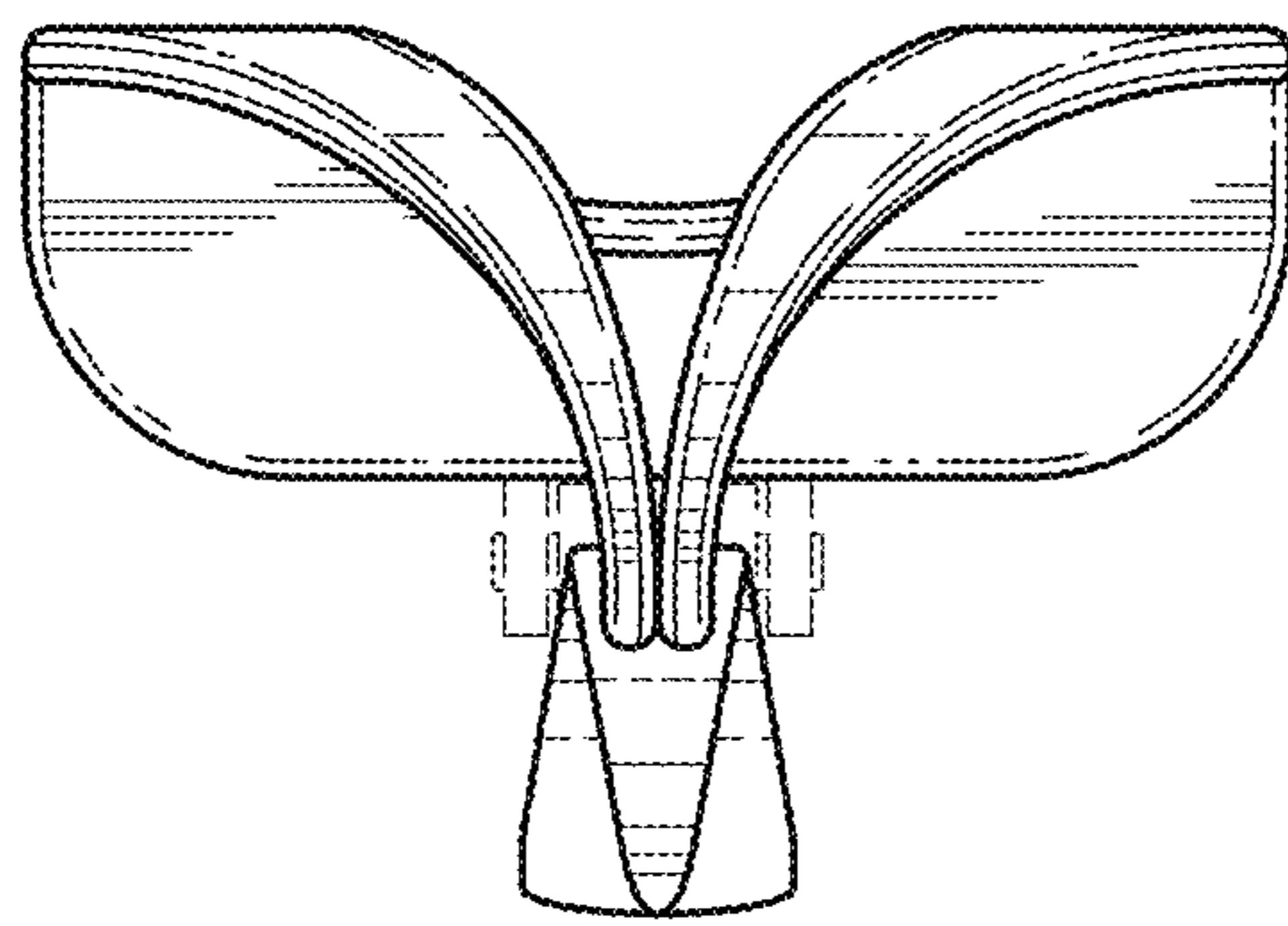


FIG. 8