



US00D780368S

(12) **United States Design Patent** (10) **Patent No.:** **US D780,368 S**
Smith et al. (45) **Date of Patent:** **** Feb. 28, 2017**

(54) **FLOOR LAMP**

(56) **References Cited**

(71) Applicant: **Evolution Lighting, LLC**, Miami Lakes, FL (US)
(72) Inventors: **Jennifer Leigh Smith**, Parkland, FL (US); **Jose Bernal**, Miami, FL (US); **Ling Wang**, Shenzhen (CN); **Marcia Thompson**, Lexington, NC (US); **Danielle Sosa**, Miami Lakes, FL (US); **Grace Elizabeth Bonnelly**, Miramar, FL (US)

U.S. PATENT DOCUMENTS

D315,031	S	*	2/1991	Berry, Jr.	D26/105
D367,126	S	*	2/1996	Drucker	D26/93
D410,561	S	*	6/1999	Stone	D26/110
D426,666	S	*	6/2000	Hsieh	D26/110
D430,693	S	*	9/2000	Hsieh	D26/110
6,853,942	B2	*	2/2005	Drege	G01N 21/956 356/369
D628,337	S	*	11/2010	Sabernig	D26/93
D726,953	S	*	4/2015	Martin	D26/93

* cited by examiner

(73) Assignee: **Evolution Lighting, LLC**, Miami Lakes, FL (US)

Primary Examiner — Brian N Vinson

(74) *Attorney, Agent, or Firm* — Greenberg Traurig, LLP

(**) Term: **15 Years**

(57) **CLAIM**

The ornamental design for a floor lamp, as shown and described.

(21) Appl. No.: **29/546,289**

DESCRIPTION

(22) Filed: **Nov. 20, 2015**

(51) **LOC (10) Cl.** **26-03**

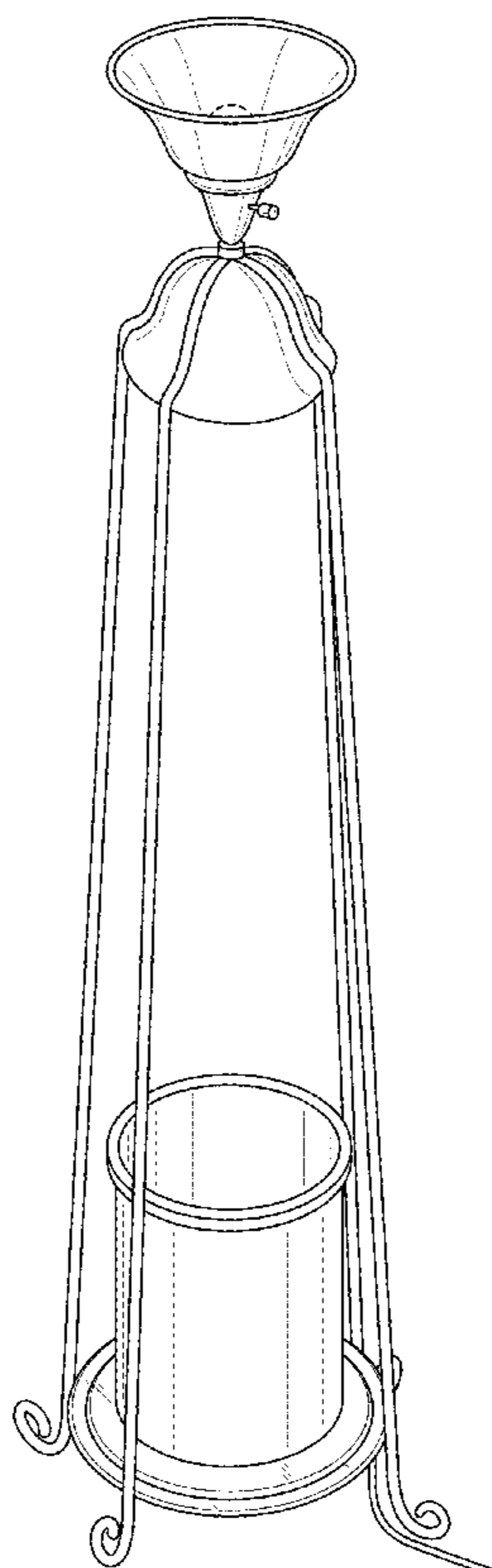
(52) **U.S. Cl.**
USPC **D26/105; D26/110**

(58) **Field of Classification Search**
USPC ... D26/1, 24, 93, 106, 107, 105, 110, 51, 55
CPC F21S 6/00; F21S 6/002; F21S 6/004;
F21S 6/006; F21S 8/00; F21S
10/00; F21V 21/02; F21W
2131/30; F21Y 2105/00; G01N 21/956

FIG. 1 is a right and rear side perspective view of our floor lamp showing our new design;
FIG. 2 is a right side elevational view thereof;
FIG. 3 is a left side elevational view thereof;
FIG. 4 is a front elevational view thereof;
FIG. 5 is a rear elevational view thereof;
FIG. 6 is a top plan view thereof; and,
FIG. 7 is a bottom plan view thereof.

See application file for complete search history.

1 Claim, 6 Drawing Sheets



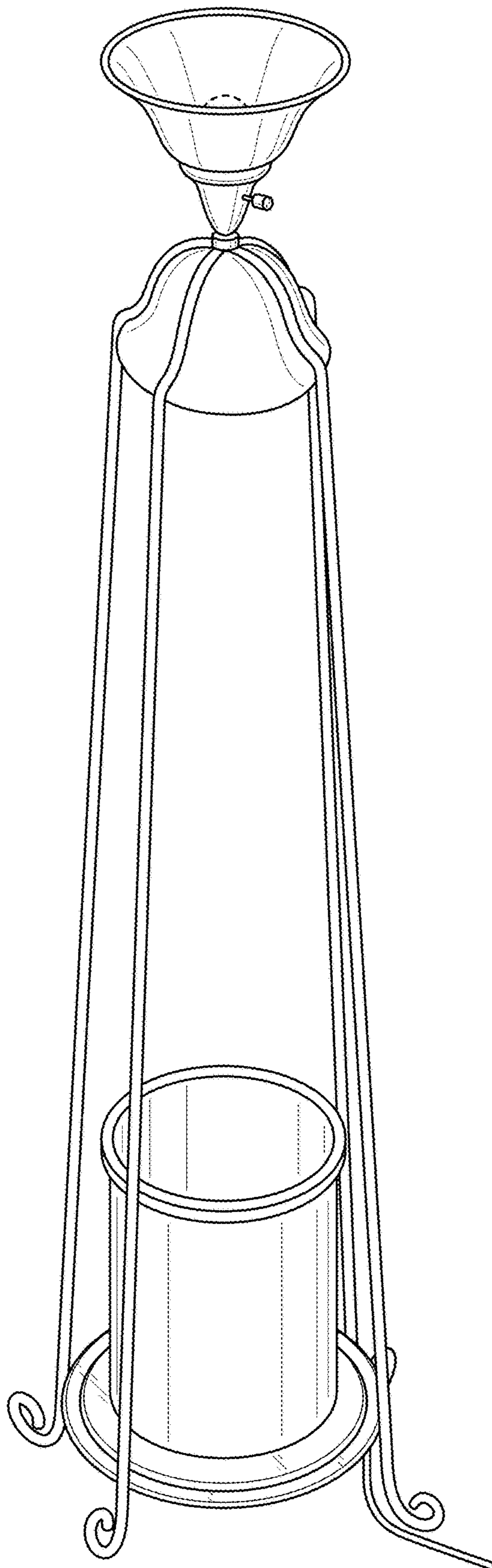


FIG. 1

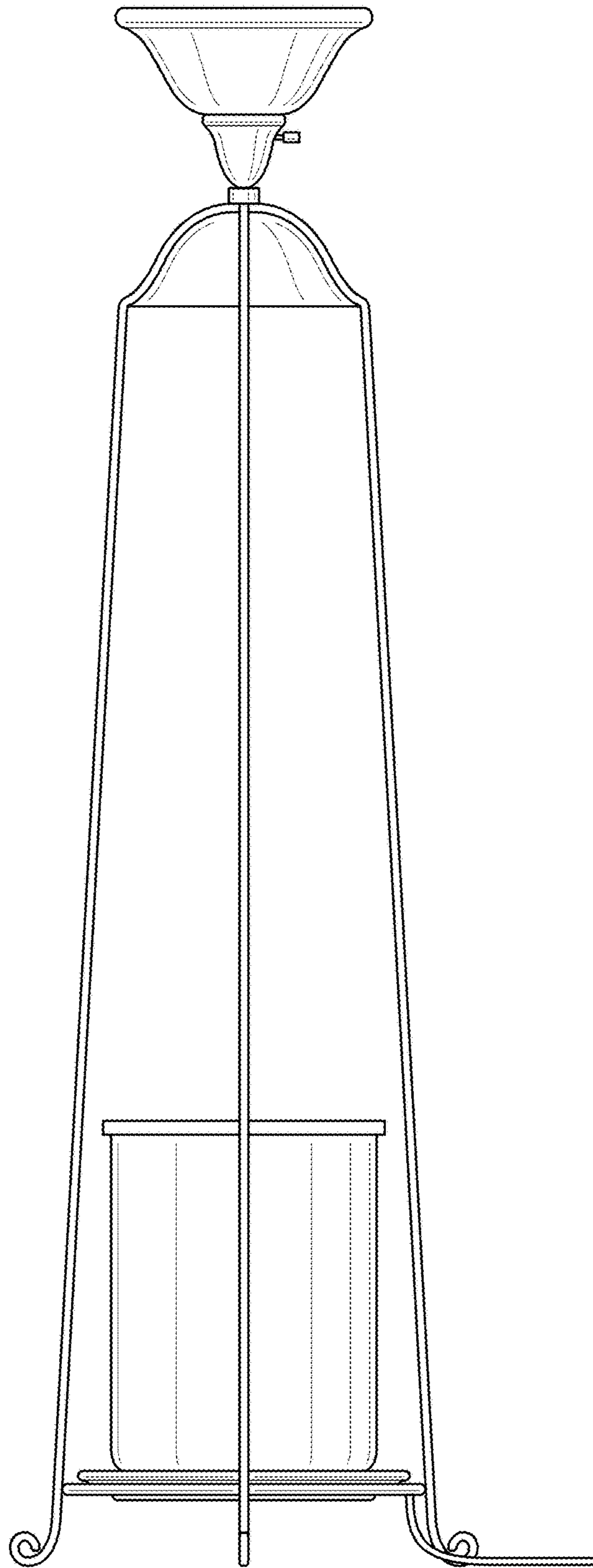


FIG. 2

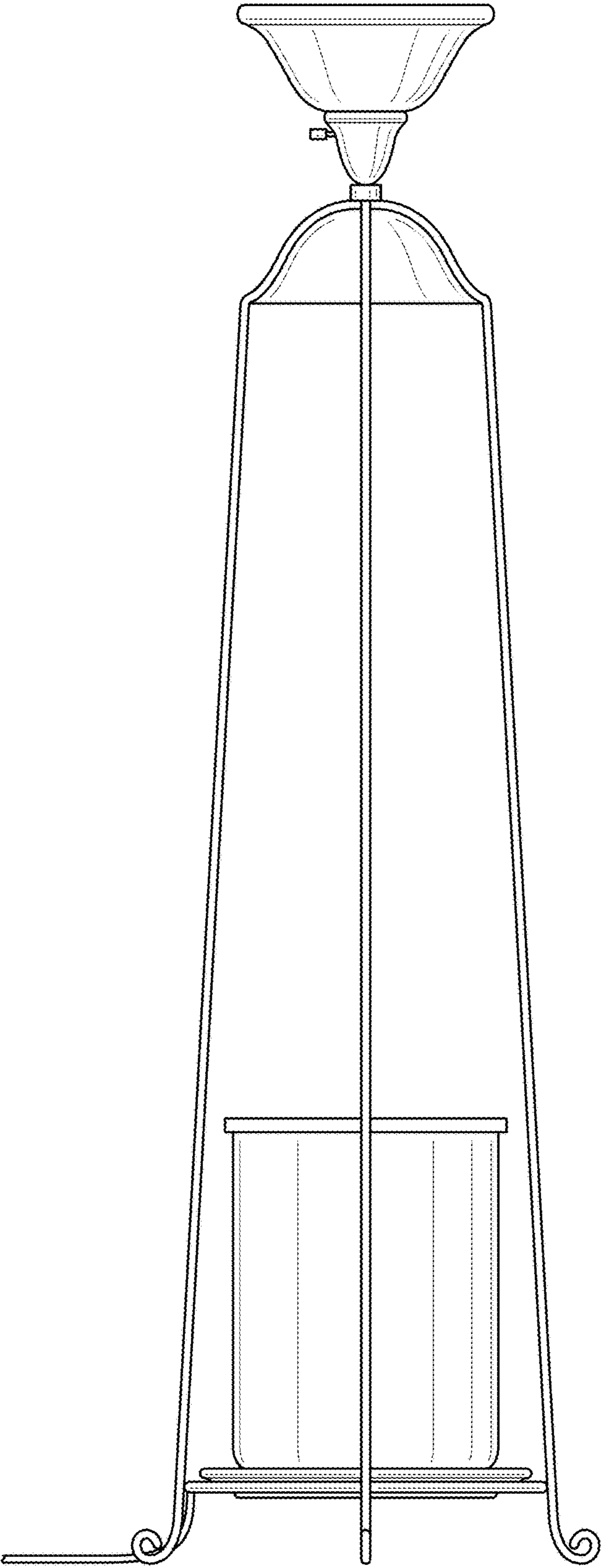


FIG. 3

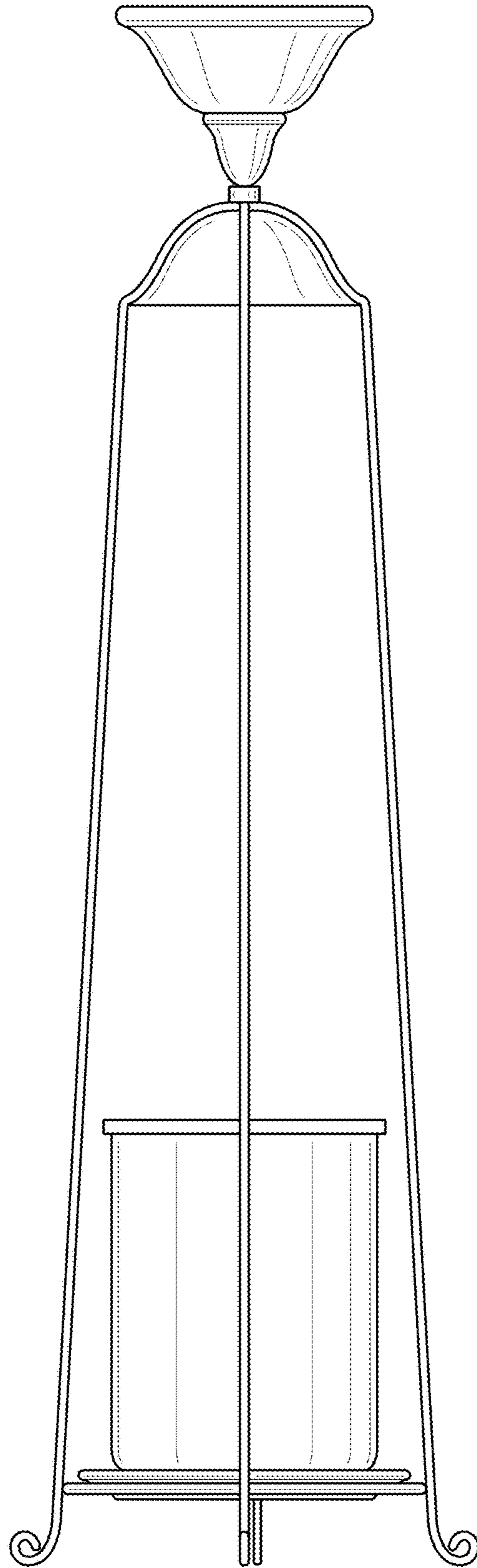


FIG. 4

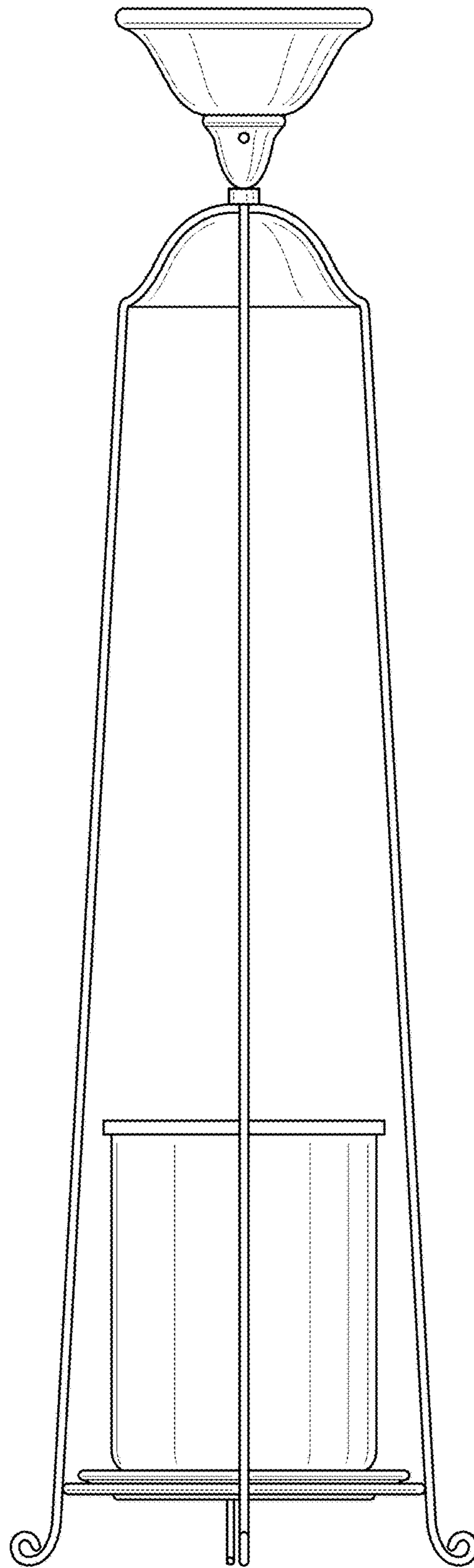


FIG. 5

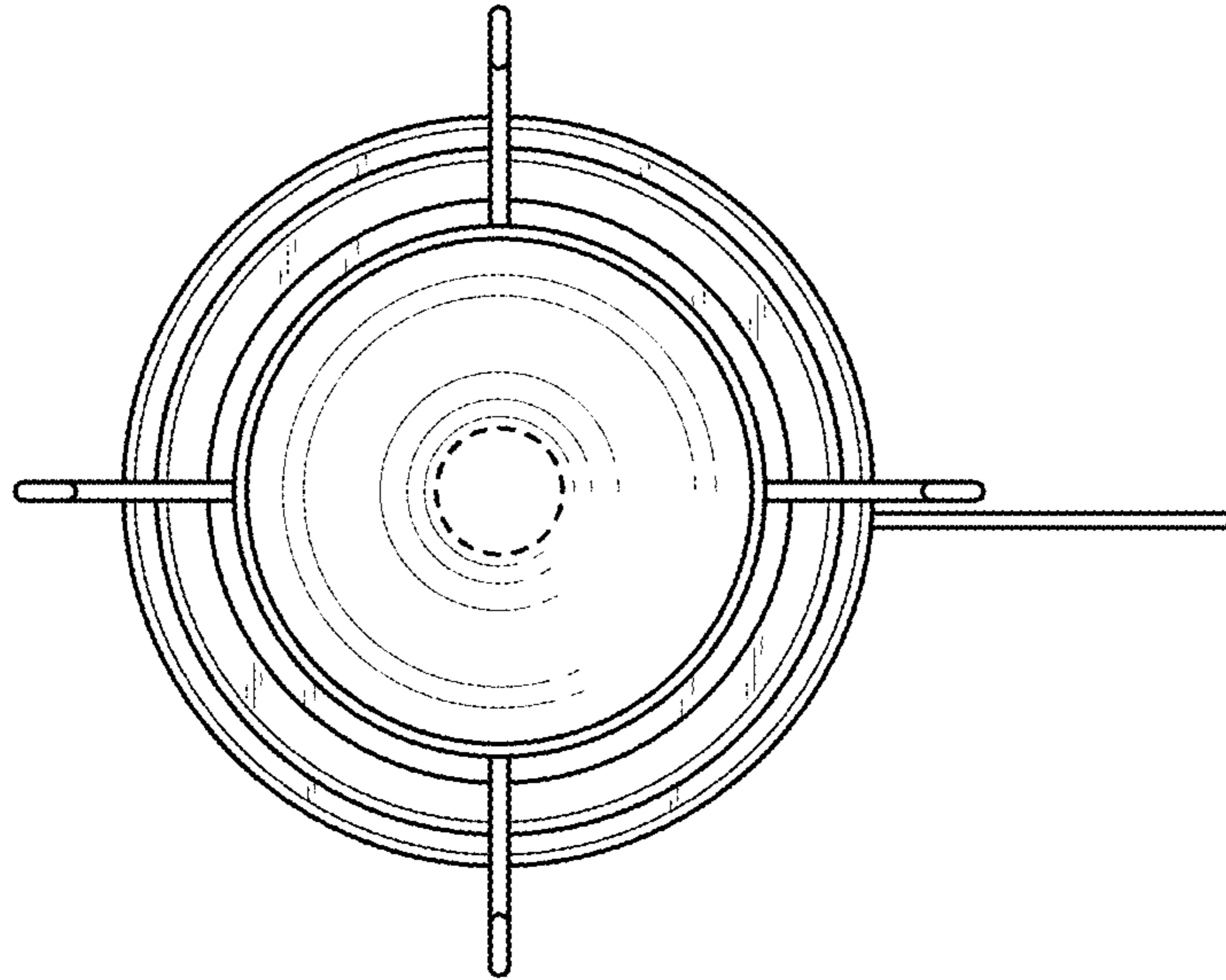


FIG. 6

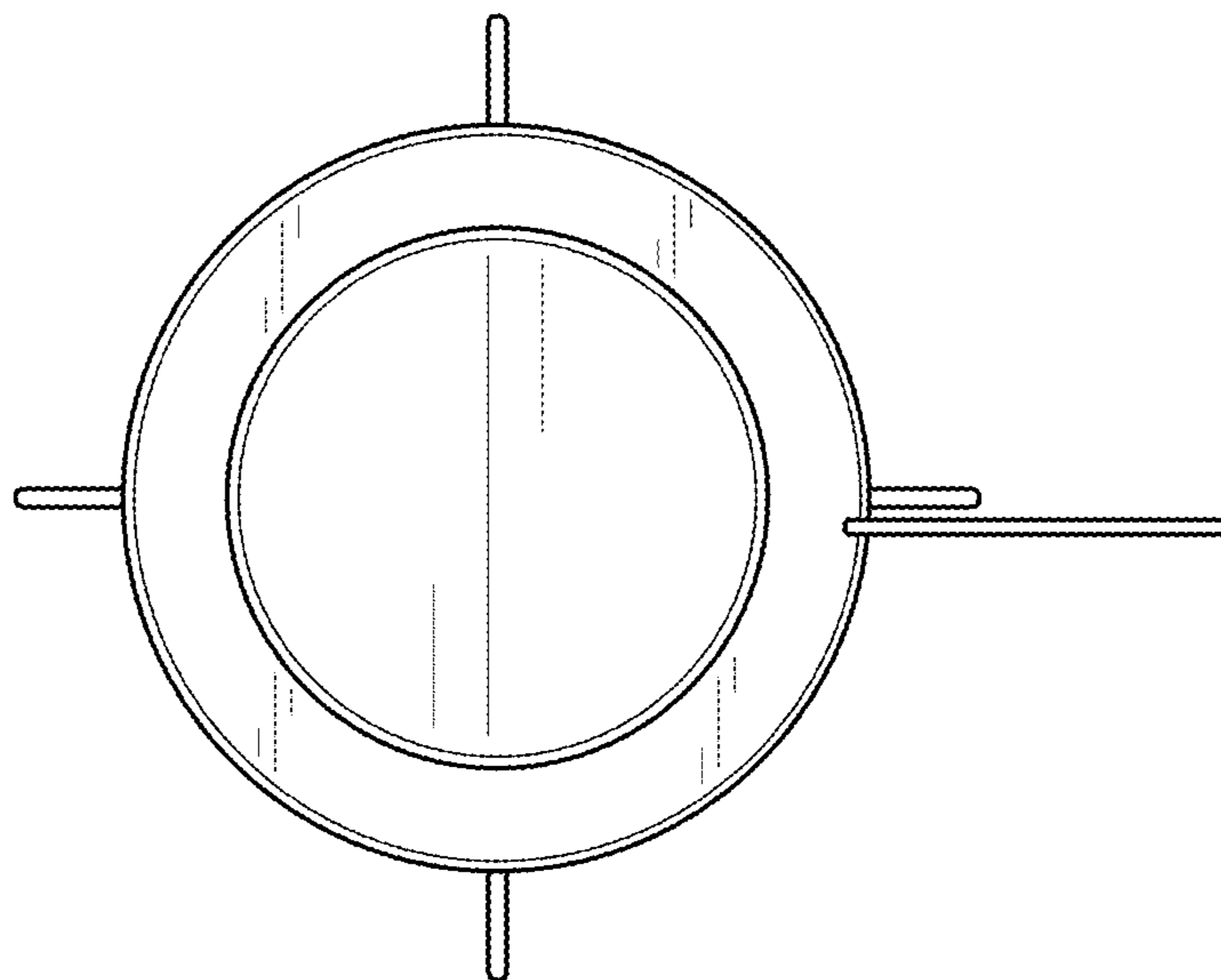


FIG. 7