



US00D780363S

(12) **United States Design Patent** (10) **Patent No.:** **US D780,363 S**  
**Scribante et al.** (45) **Date of Patent:** **\*\* Feb. 28, 2017**

(54) **LIGHT FIXTURE**  
(71) Applicant: **Orion Energy Systems, Inc.**,  
Manitowoc, WI (US)  
(72) Inventors: **John Scribante**, Manitowoc, WI (US);  
**Matthew S. Tlachac**, Manitowoc, WI  
(US); **Scott A. Green**, Ponte Vedra  
Beach, FL (US); **Brandon J. King**,  
Manitowoc, WI (US)  
(73) Assignee: **Orion Energy Systems, Inc.**,  
Manitowoc, WI (US)

D584,848 S \* 1/2009 Menke ..... D26/76  
D595,890 S \* 7/2009 Sabernig ..... D26/84  
7,758,207 B1 7/2010 Zhou et al.  
7,845,824 B2 12/2010 Robotham  
D632,004 S \* 2/2011 Waldmann ..... D26/76  
D645,194 S \* 9/2011 Budike, Jr. .... D26/76  
8,066,407 B2 11/2011 Remus et al.  
D650,509 S \* 12/2011 Wegger ..... D26/90  
8,092,044 B1 1/2012 Sikora  
D663,882 S \* 7/2012 Muraishi ..... D26/76  
D716,489 S \* 10/2014 O'Leary ..... D26/90  
9,016,892 B1 \* 4/2015 Scribante ..... F21V 17/002  
362/222  
9,052,075 B2 \* 6/2015 Demuyneck ..... F21S 9/022  
(Continued)

(\*\*) Term: **14 Years**  
(21) Appl. No.: **29/498,036**  
(22) Filed: **Jul. 30, 2014**  
(51) **LOC (10) Cl.** ..... **26-99**  
(52) **U.S. Cl.**  
USPC ..... **D26/76**  
(58) **Field of Classification Search**  
USPC ..... D26/71, 72, 75, 76, 78, 79, 80, 81, 82,  
D26/83, 85, 88, 90, 118, 119, 120, 121,  
D26/122, 138  
CPC ..... F21S 4/00; F21S 4/003; F21S 4/006;  
F21S 4/007; F21S 4/008; F21S  
6/004; F21S 6/005; F21K 9/54; F21V  
15/01; F21V 15/013  
See application file for complete search history.

(56) **References Cited**  
U.S. PATENT DOCUMENTS  
3,019,333 A 1/1962 Pascucci  
3,078,366 A 2/1963 Winkler  
D348,534 S \* 7/1994 Herst ..... D26/76  
5,997,158 A 12/1999 Fischer et al.  
6,059,424 A 5/2000 Kotloff  
6,231,213 B1 5/2001 Schmidt et al.  
6,739,734 B1 5/2004 Hulgán  
6,871,983 B2 3/2005 Jacob et al.

**OTHER PUBLICATIONS**

International Search Report and Written Opinion for International Application No. PCT/US2013/029301, dated May 20, 2013, 8 pages.

*Primary Examiner* — George D Kirschbaum  
*Assistant Examiner* — Natasha Vujcic  
(74) *Attorney, Agent, or Firm* — Foley & Lardner LLP

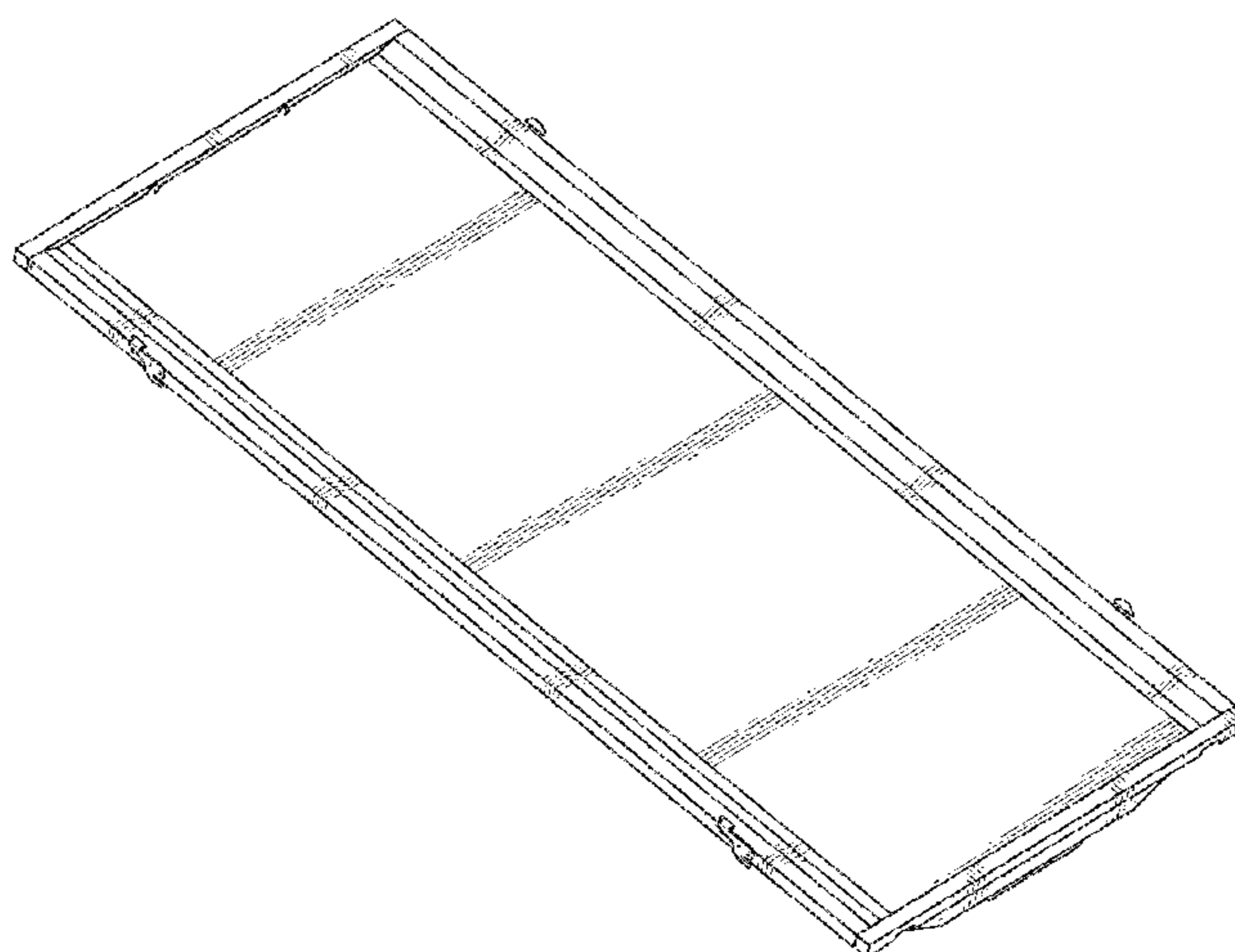
(57) **CLAIM**

We claim the ornamental design for a light fixture, as shown and described.

**DESCRIPTION**

FIG. 1 is a bottom, rear, left perspective view of a light fixture, showing the claimed design;  
FIG. 2 is a bottom plan view thereof;  
FIG. 3 is a top plan view thereof;  
FIG. 4 is a left elevation view thereof;  
FIG. 5 is a right elevation view thereof;  
FIG. 6 is a front elevation view thereof; and,  
FIG. 7 is a rear elevation view thereof.  
The broken lines in the drawings illustrate portions of the light fixture which forms no part of the claimed design.

**1 Claim, 5 Drawing Sheets**



(56)

**References Cited**

U.S. PATENT DOCUMENTS

9,279,553	B1 *	3/2016	Scribante .....	F21S 8/026
2007/0047238	A1	3/2007	Vukosic et al.	
2008/0266843	A1	10/2008	Villard	
2009/0290348	A1	11/2009	Van Laanen et al.	
2010/0091484	A1	4/2010	Mayfield et al.	
2012/0051041	A1	3/2012	Edmond et al.	
2012/0176784	A1	7/2012	Peifer et al.	
2016/0102825	A1 *	4/2016	Scribante .....	F21K 9/175 362/217.12

\* cited by examiner

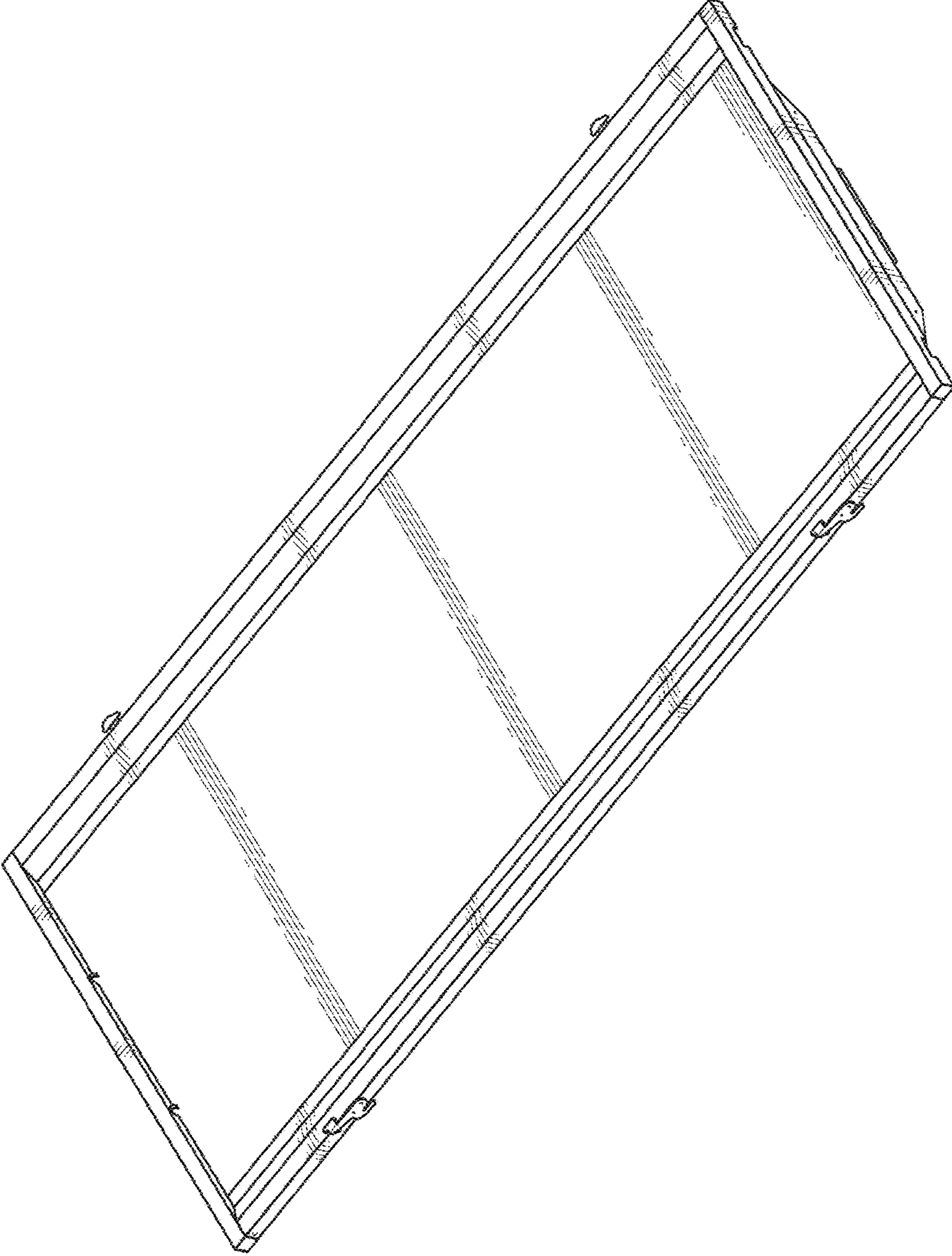


FIG. 1

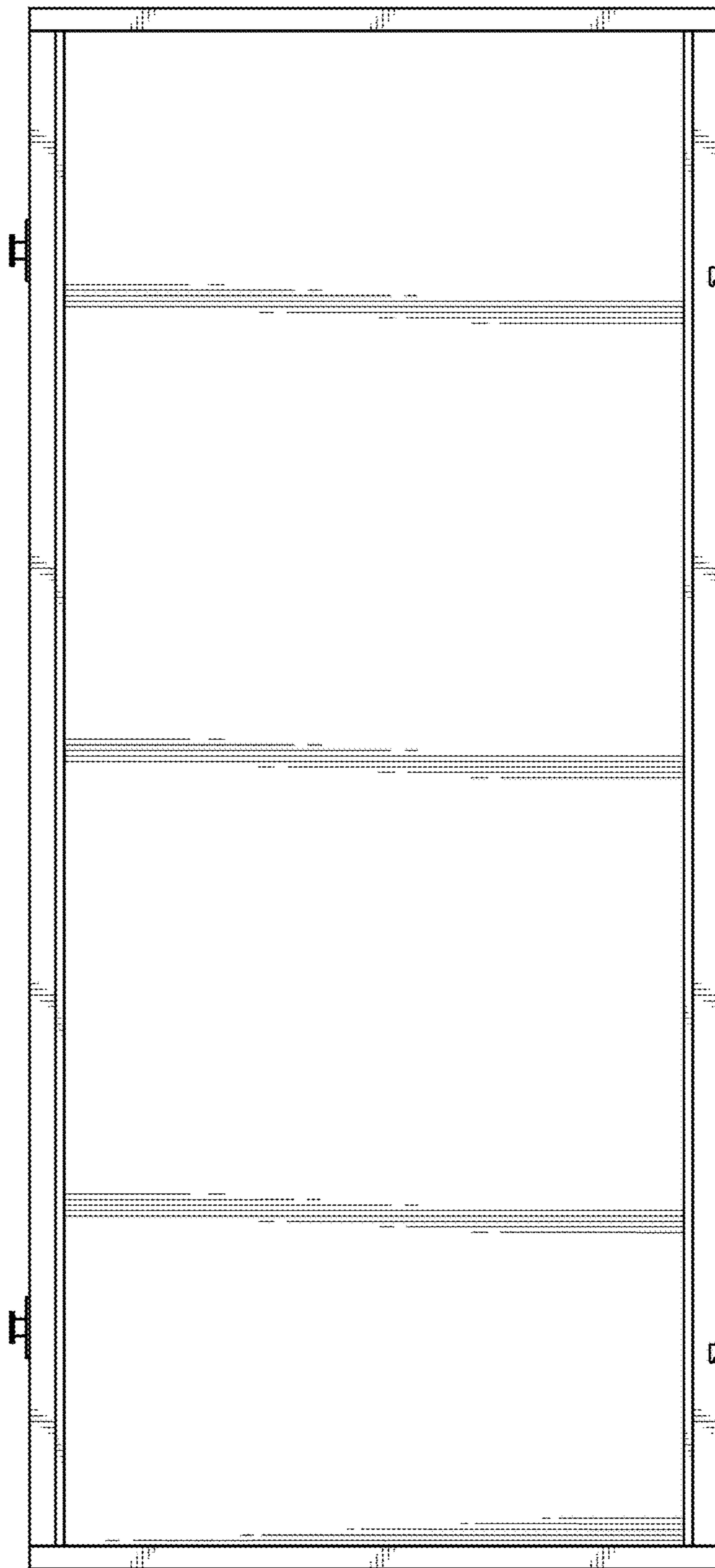


FIG. 2



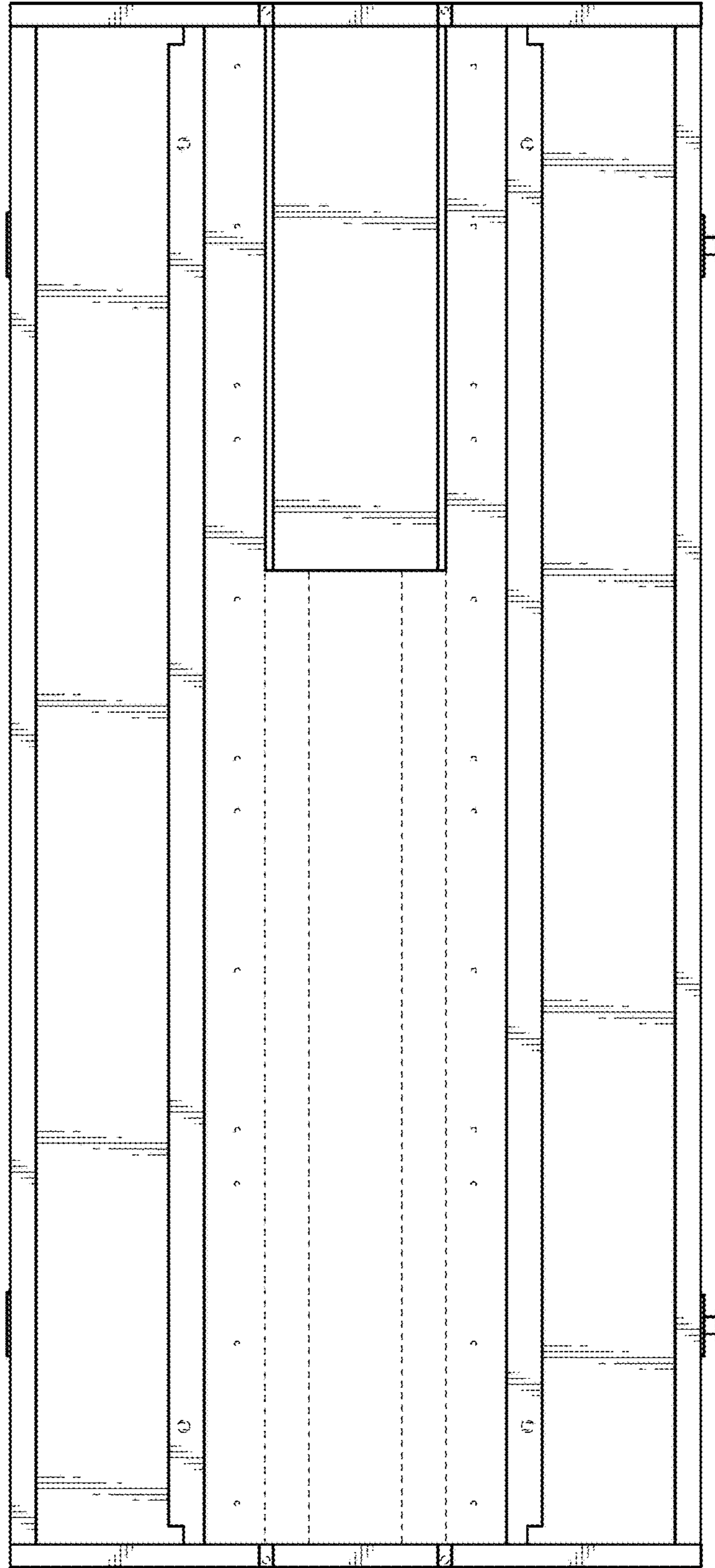


FIG. 3

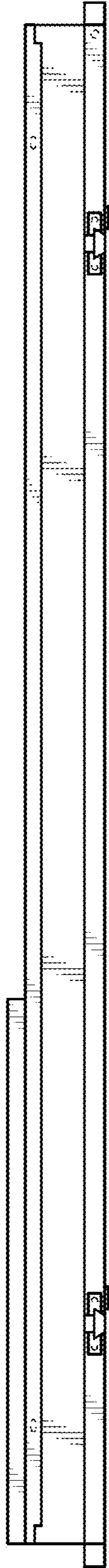


FIG. 4

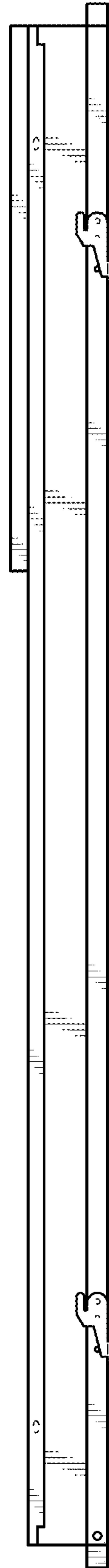


FIG. 5

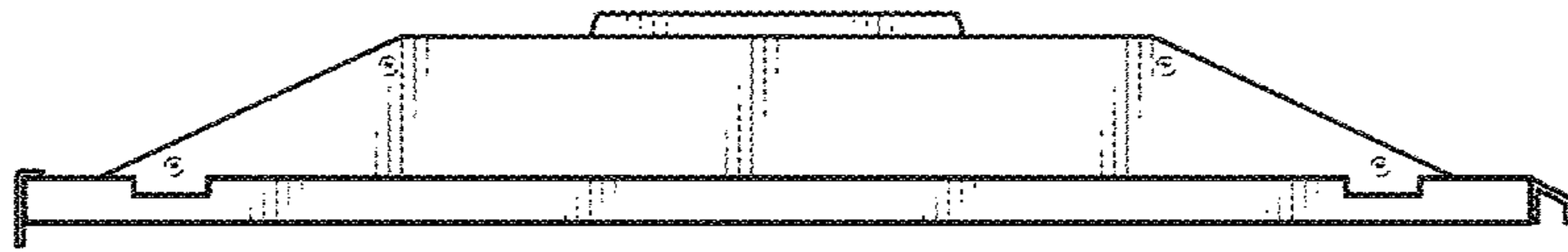


FIG. 6

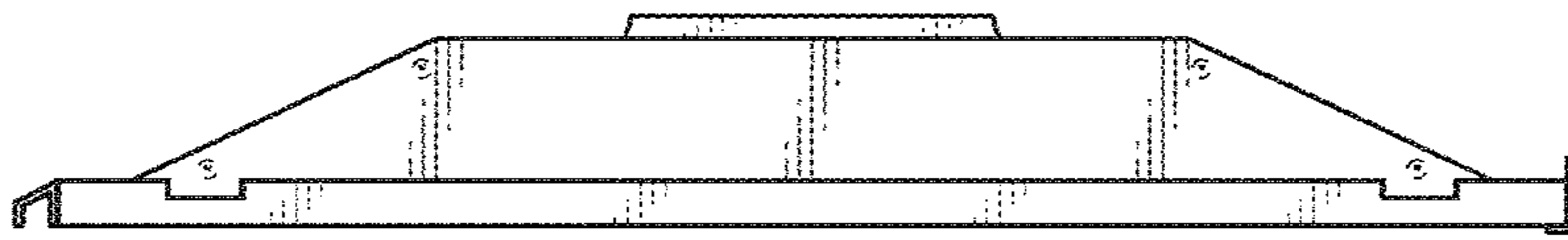


FIG. 7