



US00D780362S

(12) **United States Design Patent** (10) **Patent No.:** **US D780,362 S**  
**Akiyama** (45) **Date of Patent:** **\*\* \*Feb. 28, 2017**

- (54) **LIGHTING FIXTURE**
- (71) Applicant: **KENALL MANUFACTURING COMPANY**, Gurnee, IL (US)
- (72) Inventor: **Steven Akiyama**, New Lenox, IL (US)
- (73) Assignee: **KENALL MANUFACTURING COMPANY**, Kenosha, WI (US)
- (\*) Notice: This patent is subject to a terminal disclaimer.
- (\*\*) Term: **14 Years**
- (21) Appl. No.: **29/475,908**
- (22) Filed: **Dec. 9, 2013**
- (51) **LOC (10) Cl.** ..... **26-05**
- (52) **U.S. Cl.**  
USPC ..... **D26/74**
- (58) **Field of Classification Search**  
USPC . D26/74, 24, 72, 75, 76, 78, 79, 81, 82, 88,  
D26/89, 91, 113, 118, 119, 120, 138, 141,  
D26/142  
CPC ..... F21V 21/04; F21V 21/041; F21V 7/005;  
F21Y 2111/002; F21S 8/026; F21S 8/02  
See application file for complete search history.

(56) **References Cited**

**U.S. PATENT DOCUMENTS**

D195,012 S *	4/1963	Hoyle	.....	D23/388
D201,544 S *	7/1965	Brooks	.....	D25/56
D330,268 S *	10/1992	Jaksich	.....	D26/74
5,301,090 A	4/1994	Hed		
5,738,436 A	4/1998	Cummings et al.		
D400,281 S *	10/1998	Kerr	.....	D26/74
6,197,444 B1	3/2001	Vackar		

(Continued)

*Primary Examiner* — Angela J Lee  
(74) *Attorney, Agent, or Firm* — Marshall, Gerstein & Borun LLP

(57) **CLAIM**

The ornamental design for a lighting fixture, as shown and described.

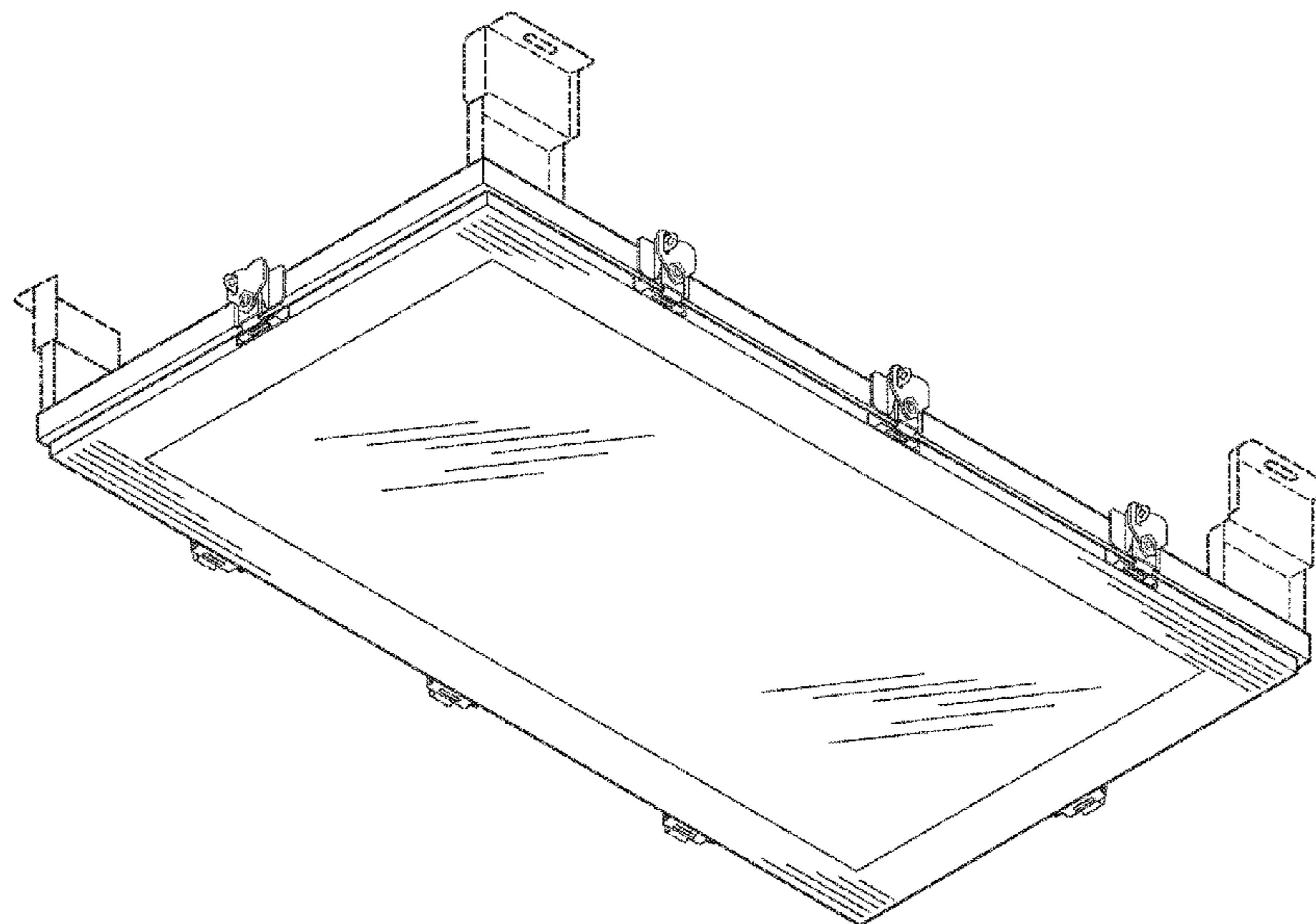
**DESCRIPTION**

FIG. 1 is a perspective view showing a new design for a lighting fixture;  
 FIG. 2 is a front view of the lighting fixture of FIG. 1;  
 FIG. 3 is a rear view of the lighting fixture of FIG. 1;  
 FIG. 4 is a left-side view the lighting fixture of FIG. 1;  
 FIG. 5 is a right-side view of the lighting fixture of FIG. 1;  
 FIG. 6 is a bottom view of the lighting fixture of FIG. 1;  
 FIG. 7 is a top view of the lighting fixture of FIG. 1;  
 FIG. 8 is a perspective view of a second embodiment for a lighting fixture;  
 FIG. 9 is a front view thereof;  
 FIG. 10 is a rear view thereof;  
 FIG. 11 is a left-side view thereof;  
 FIG. 12 is a right-side view thereof;  
 FIG. 13 is a bottom view thereof; and,  
 FIG. 14 is a top view thereof.

The lighting fixture in each of FIGS. 22-28, FIGS. 29-35, FIGS. 36-42, FIGS. 43-49 and FIGS. 50-56 is shown with a break in the middle of the design. The broken lines between the symbolic break lines are understood to indicate unclaimed length or width.

All broken lines showing portions of the lighting fixture in all Figs. are included for the purpose of illustrating environment and form no part of the claimed design.

**1 Claim, 10 Drawing Sheets**



(56)

**References Cited**

U.S. PATENT DOCUMENTS

6,375,338 B1	4/2002	Cummings et al.			
D457,981 S *	5/2002	Yeh .....	D26/76	2010/0085748 A1	4/2010 Kelly et al.
D602,626 S *	10/2009	Santoro et al. ....	D26/76	2010/0110684 A1	5/2010 Abdelsamed et al.
D647,239 S *	10/2011	Beghelli .....	D26/74	2010/0142202 A1	6/2010 Sugishita et al.
D673,712 S *	1/2013	Patel .....	D26/74	2010/0280677 A1	11/2010 Budike, Jr.
D685,943 S *	7/2013	Duquette et al. ....	D26/74	2011/0164411 A1	7/2011 Sparing et al.
D691,764 S *	10/2013	Sieczkowski .....	D26/120	2011/0273877 A1	11/2011 Reed et al.
D698,974 S *	2/2014	Aniserowicz et al. ....	D26/74	2012/0159821 A1	6/2012 Miletich et al.
D702,868 S *	4/2014	Patel .....	D26/74	2012/0176795 A1	7/2012 Lynch
D731,693 S *	6/2015	Boyer et al. ....	D26/74	2012/0217882 A1	8/2012 Wong et al.
D732,225 S *	6/2015	Grandsart et al. ....	D26/75	2012/0249016 A1	10/2012 Smith
2004/0082209 A1	4/2004	Zenaboni		2012/0293086 A1	11/2012 Ishikita et al.
2004/0105264 A1	6/2004	Spero		2012/0294000 A1	11/2012 Thomas et al.
2007/0076459 A1	4/2007	Limpkin		2013/0003373 A1	1/2013 Hamby et al.
2009/0073692 A1	3/2009	Berger et al.		2013/0027935 A1	1/2013 Ladewig et al.
2009/0290343 A1	11/2009	Brown et al.		2013/0058108 A1	3/2013 Blincoe et al.
				2013/0062724 A1	3/2013 Tokuyama et al.
				2013/0063935 A1	3/2013 Thrailkill
				2013/0077311 A1	3/2013 Kinnune et al.
				2013/0208471 A1	8/2013 Lueken et al.

\* cited by examiner

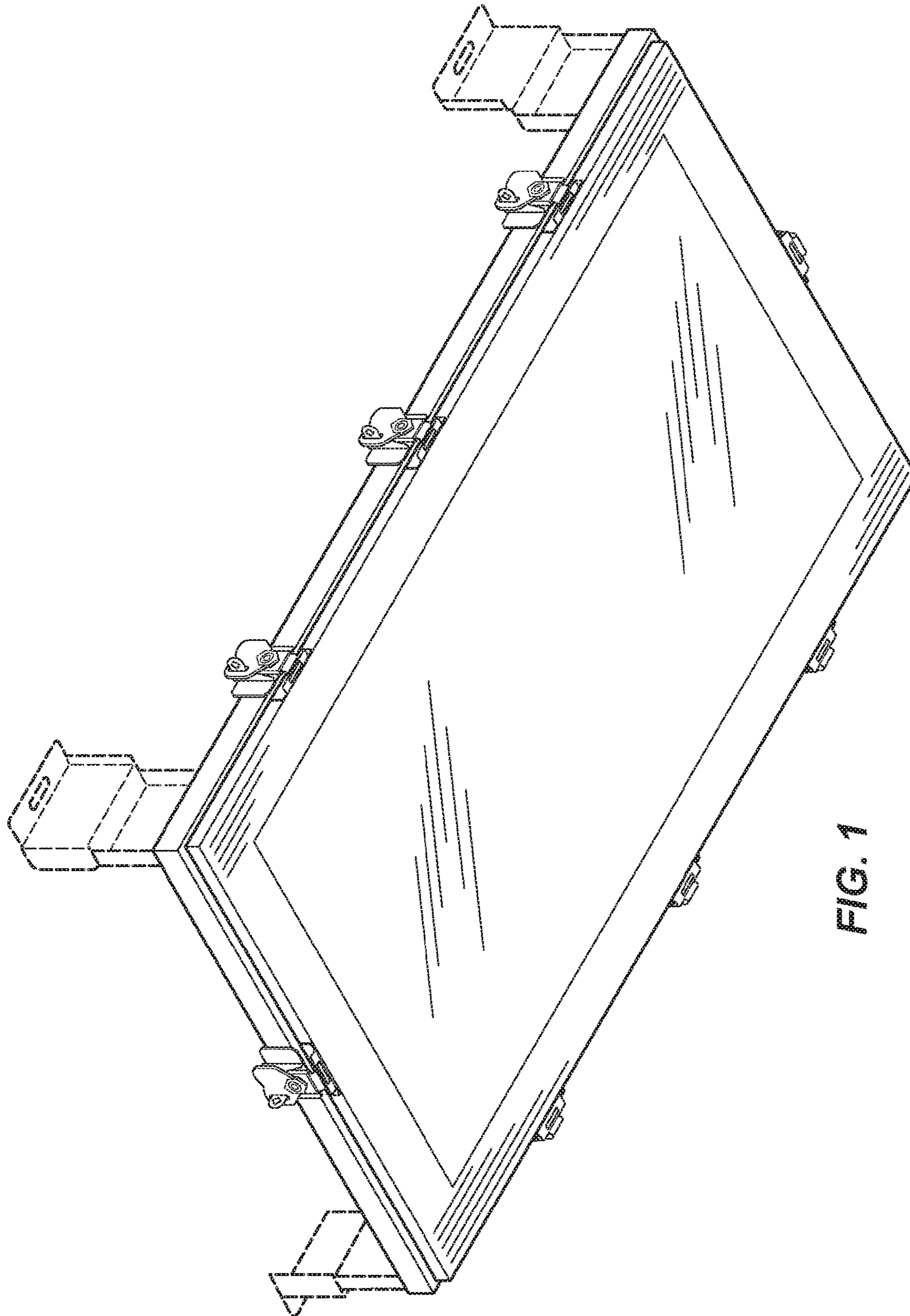


FIG. 1



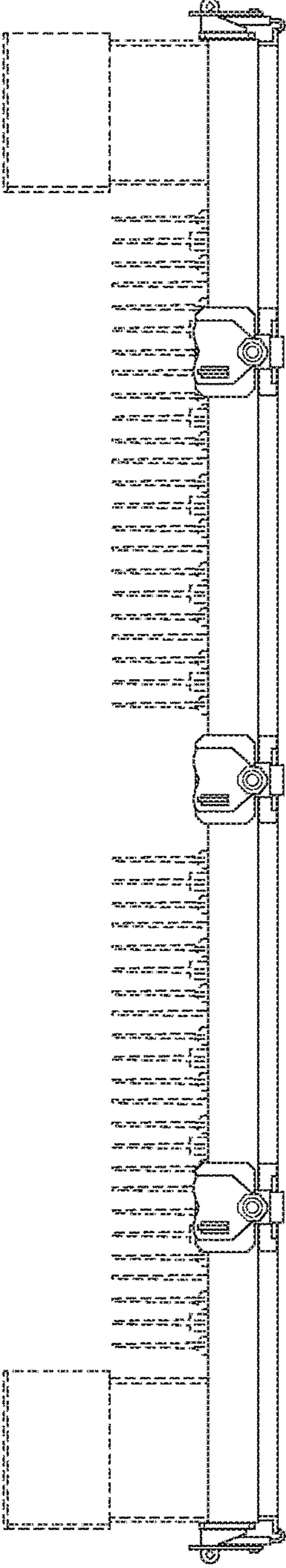


FIG. 2

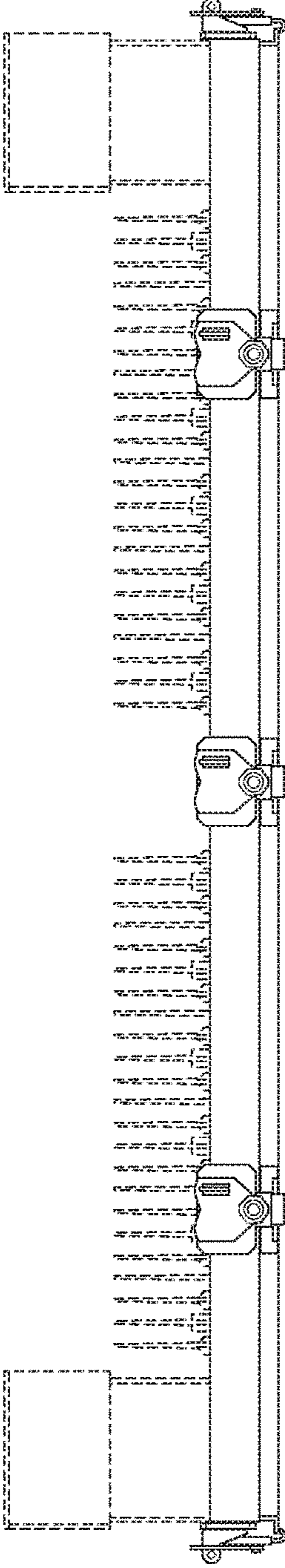


FIG. 3

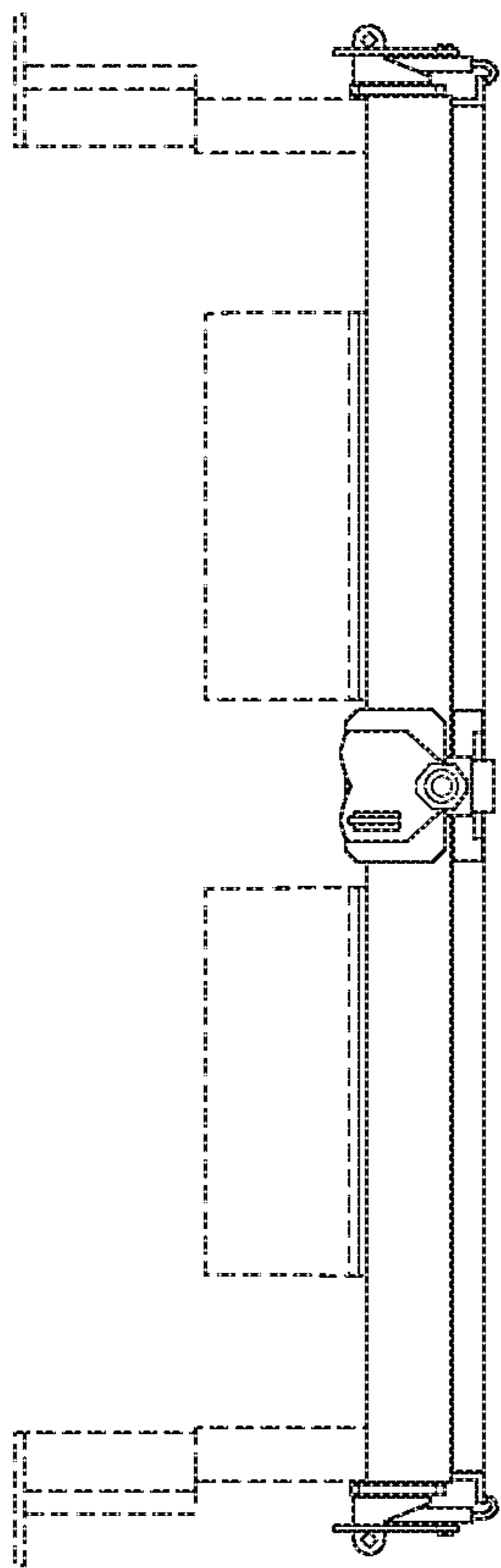


FIG. 4

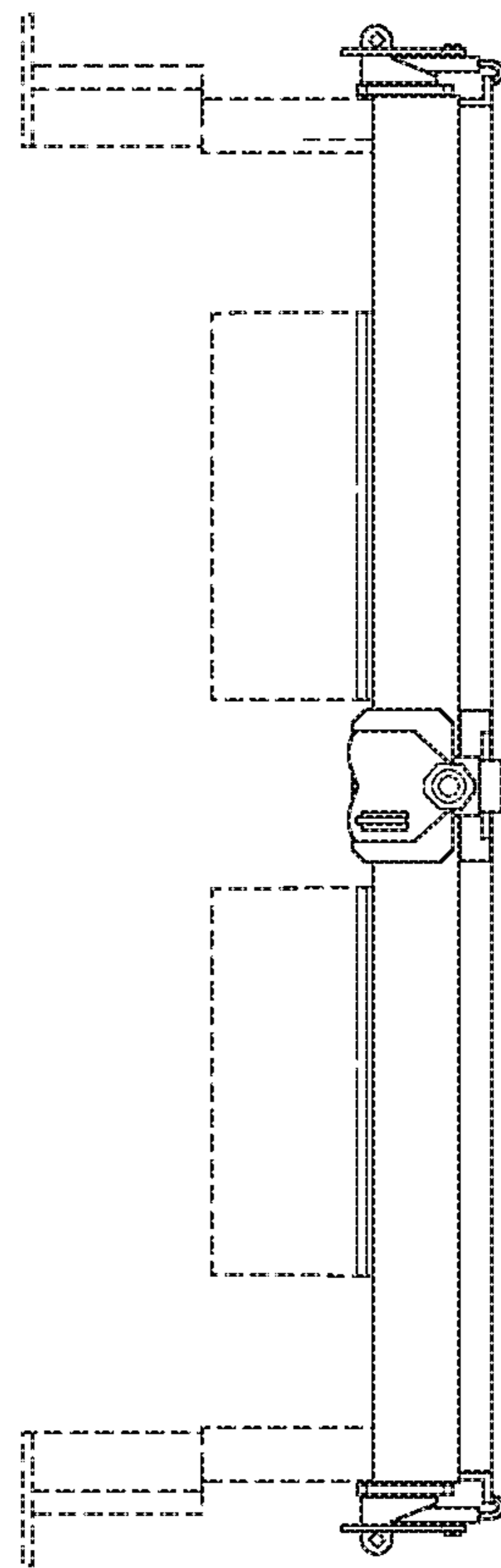


FIG. 5

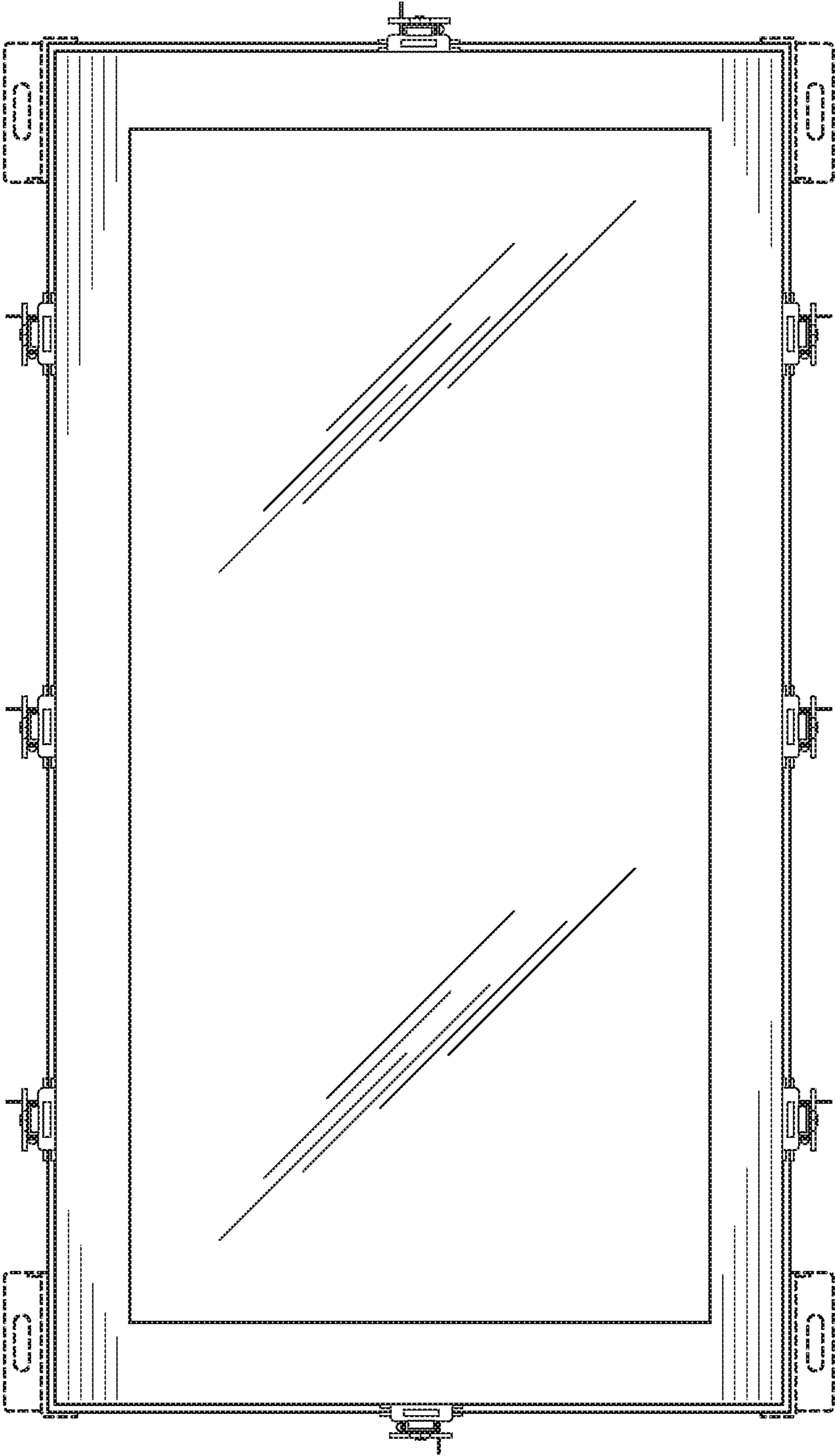


FIG. 6

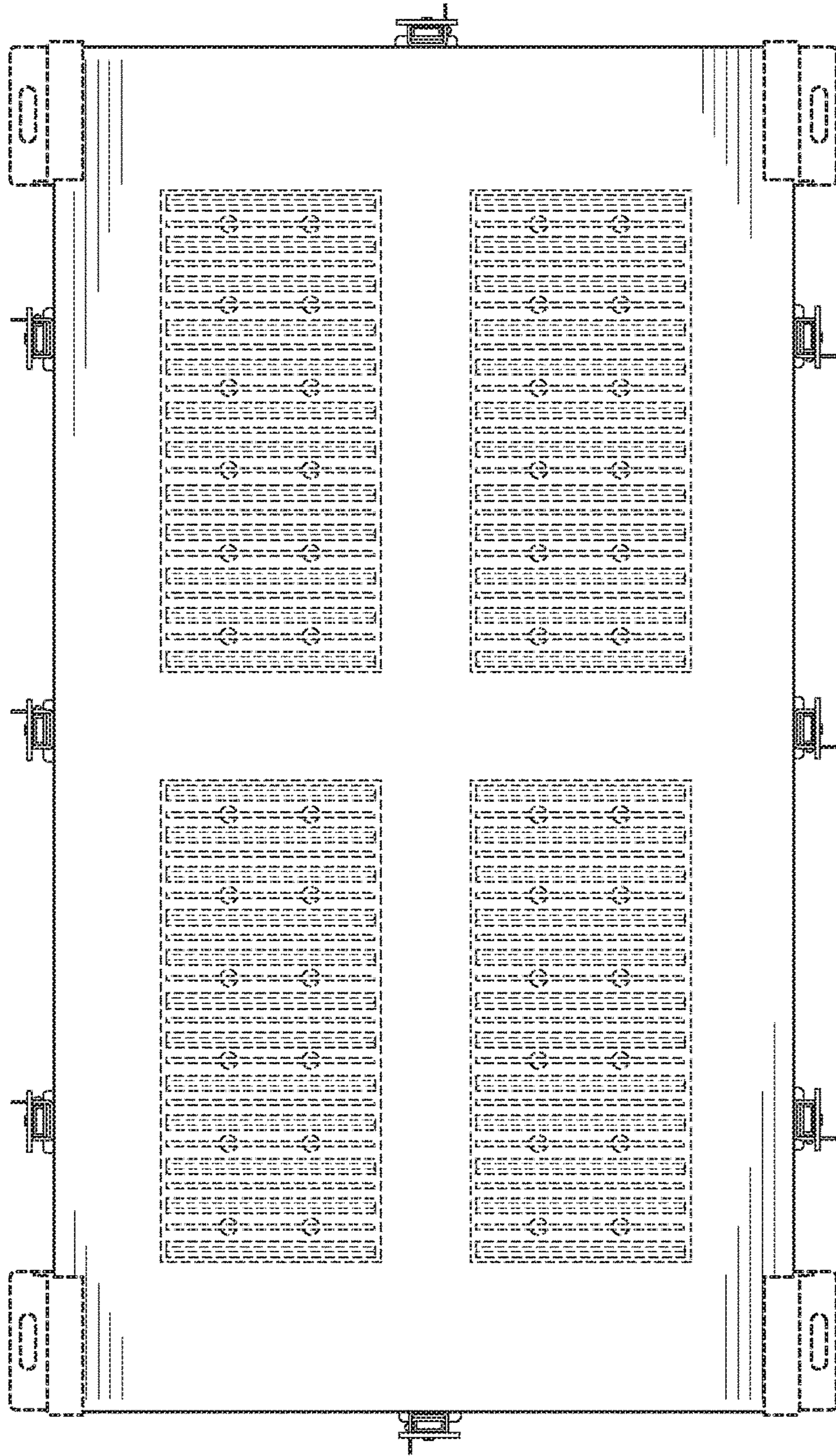


FIG. 7



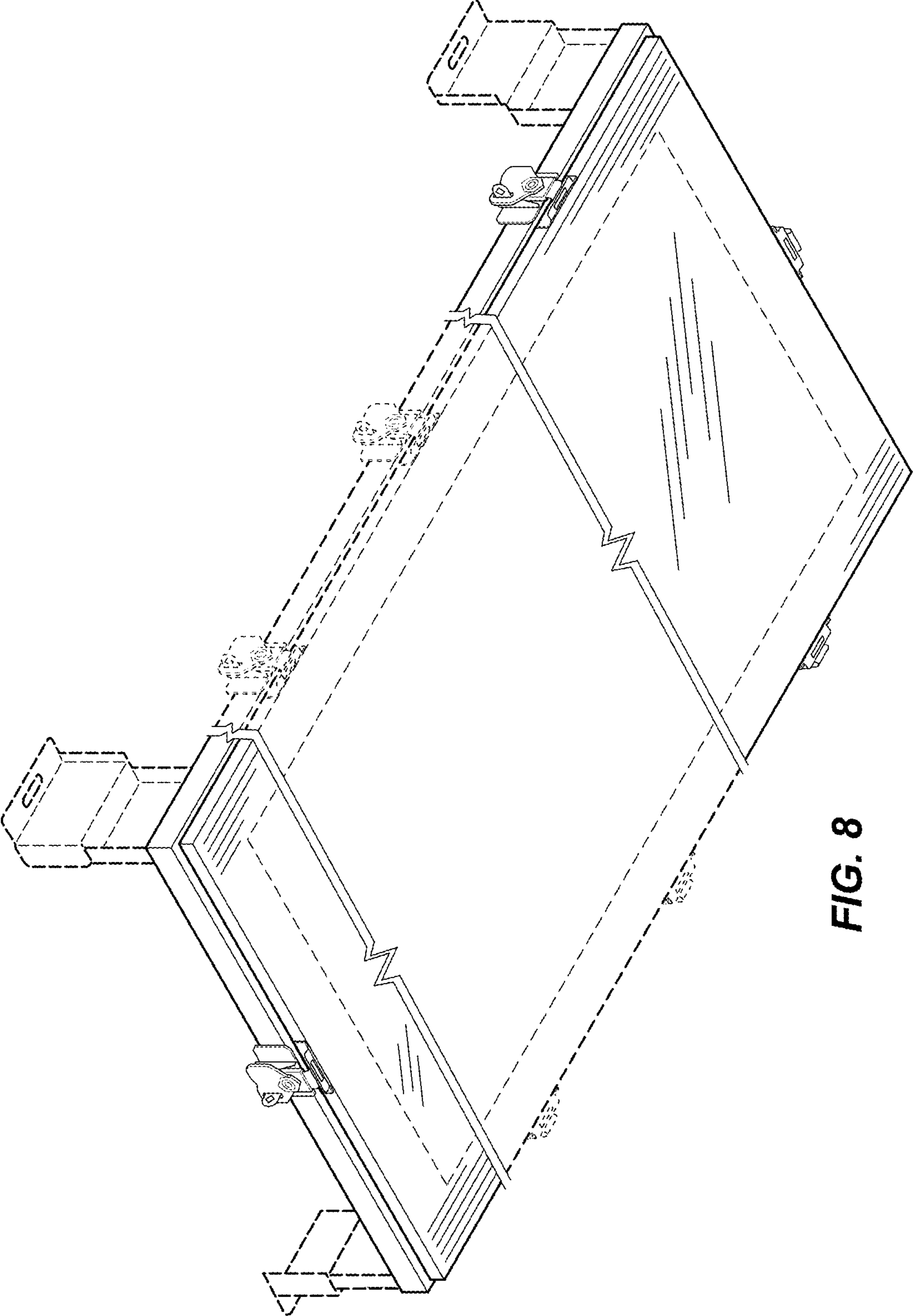
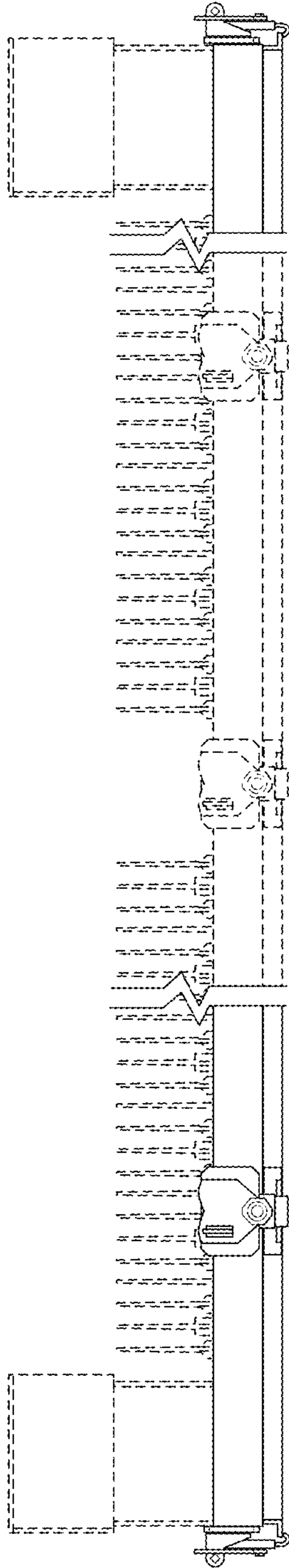
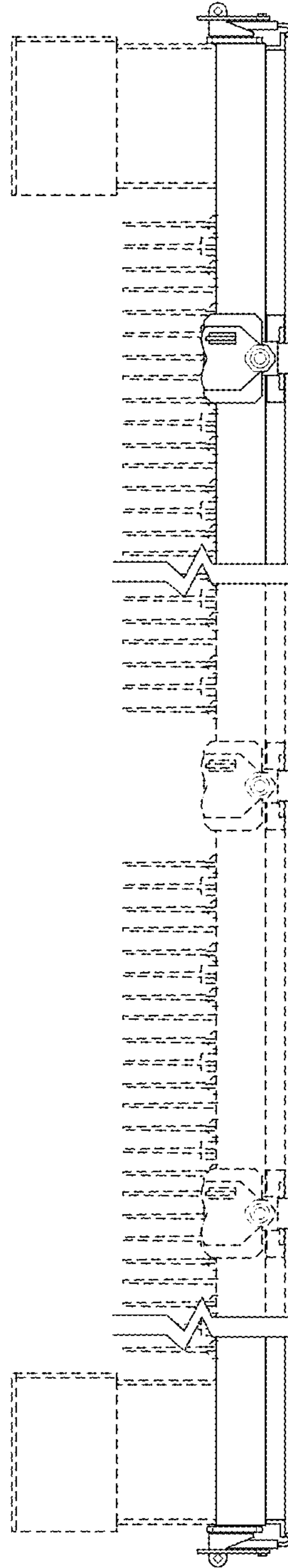


FIG. 8

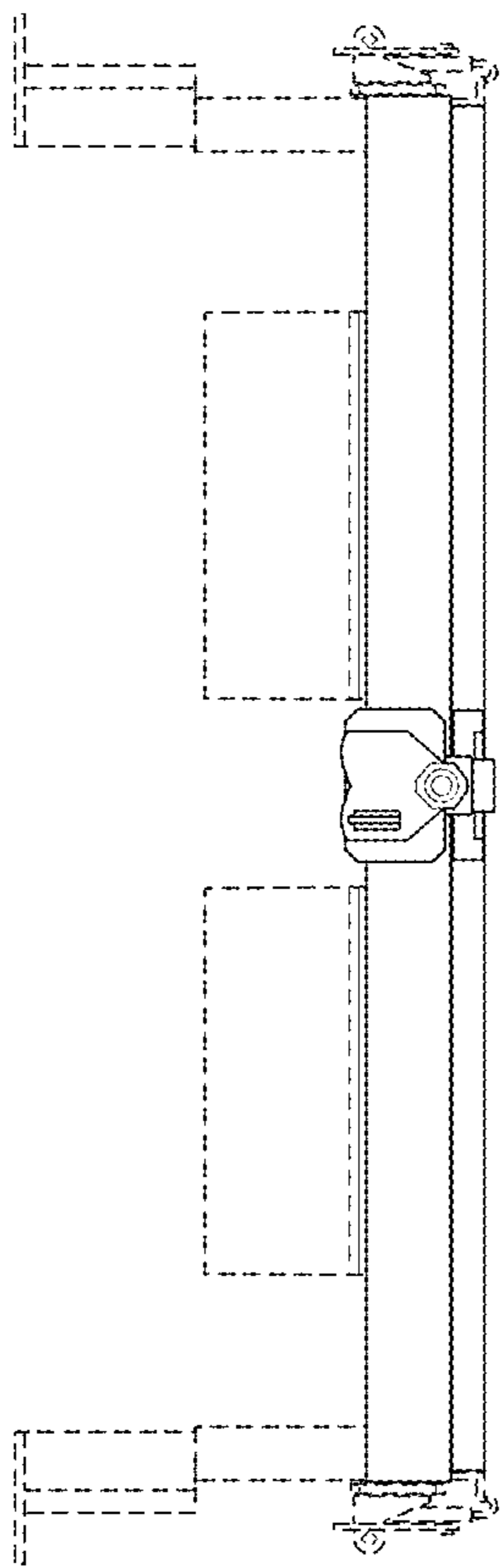




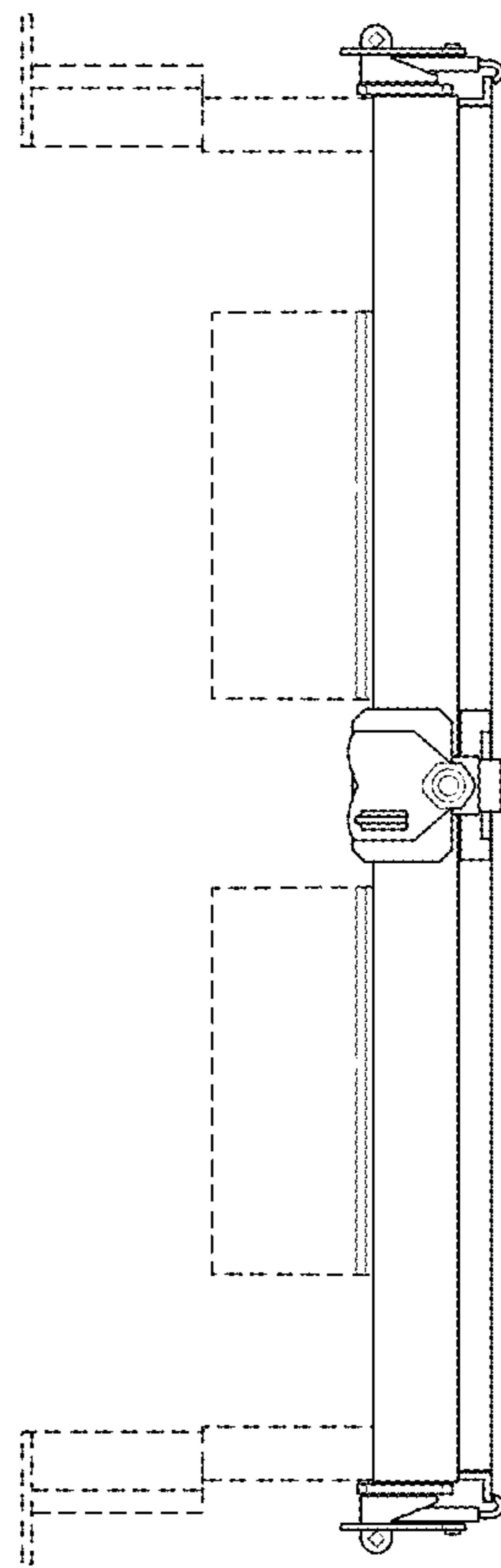
**FIG. 9**



**FIG. 10**



**FIG. 11**



**FIG. 12**

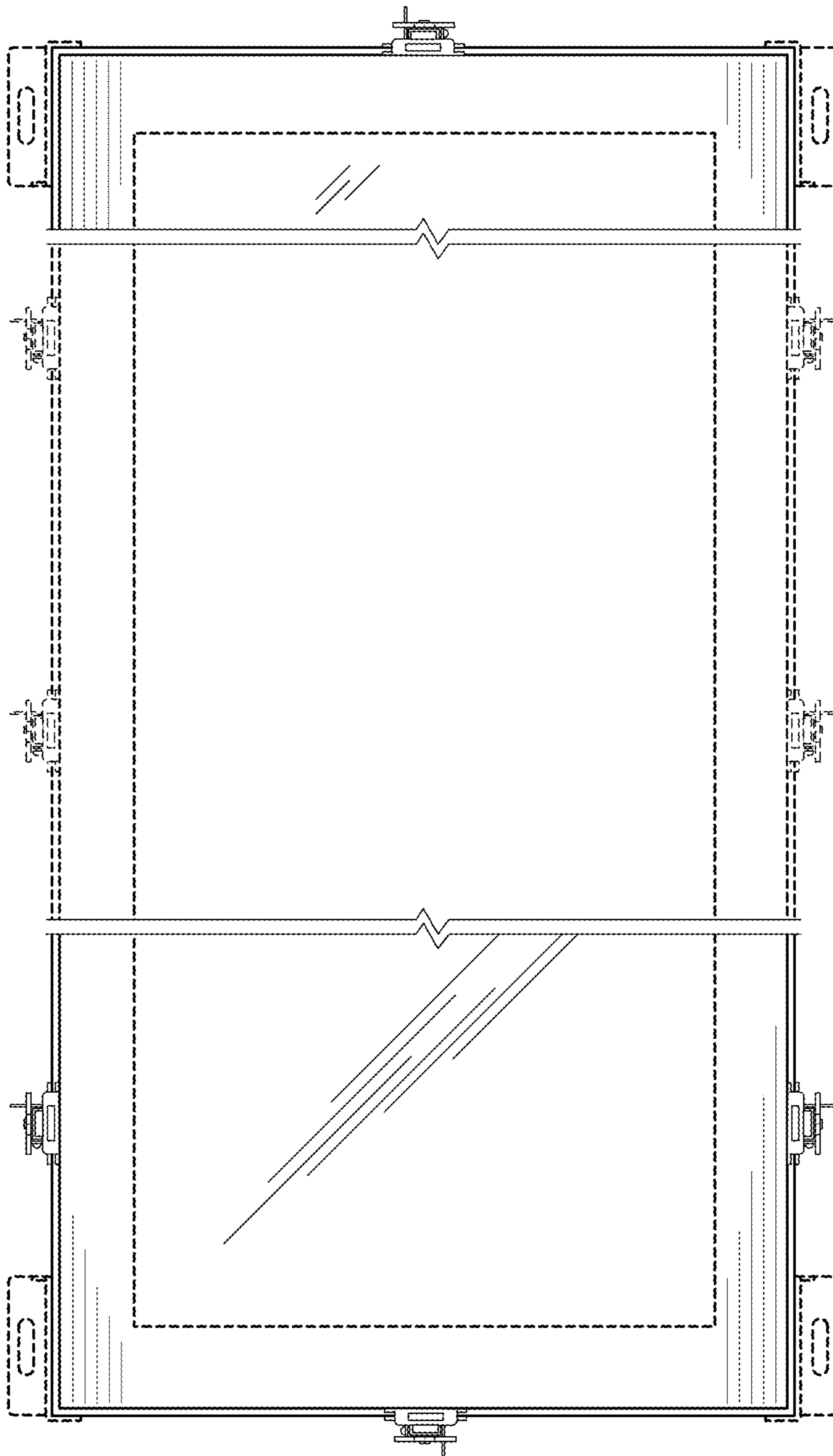
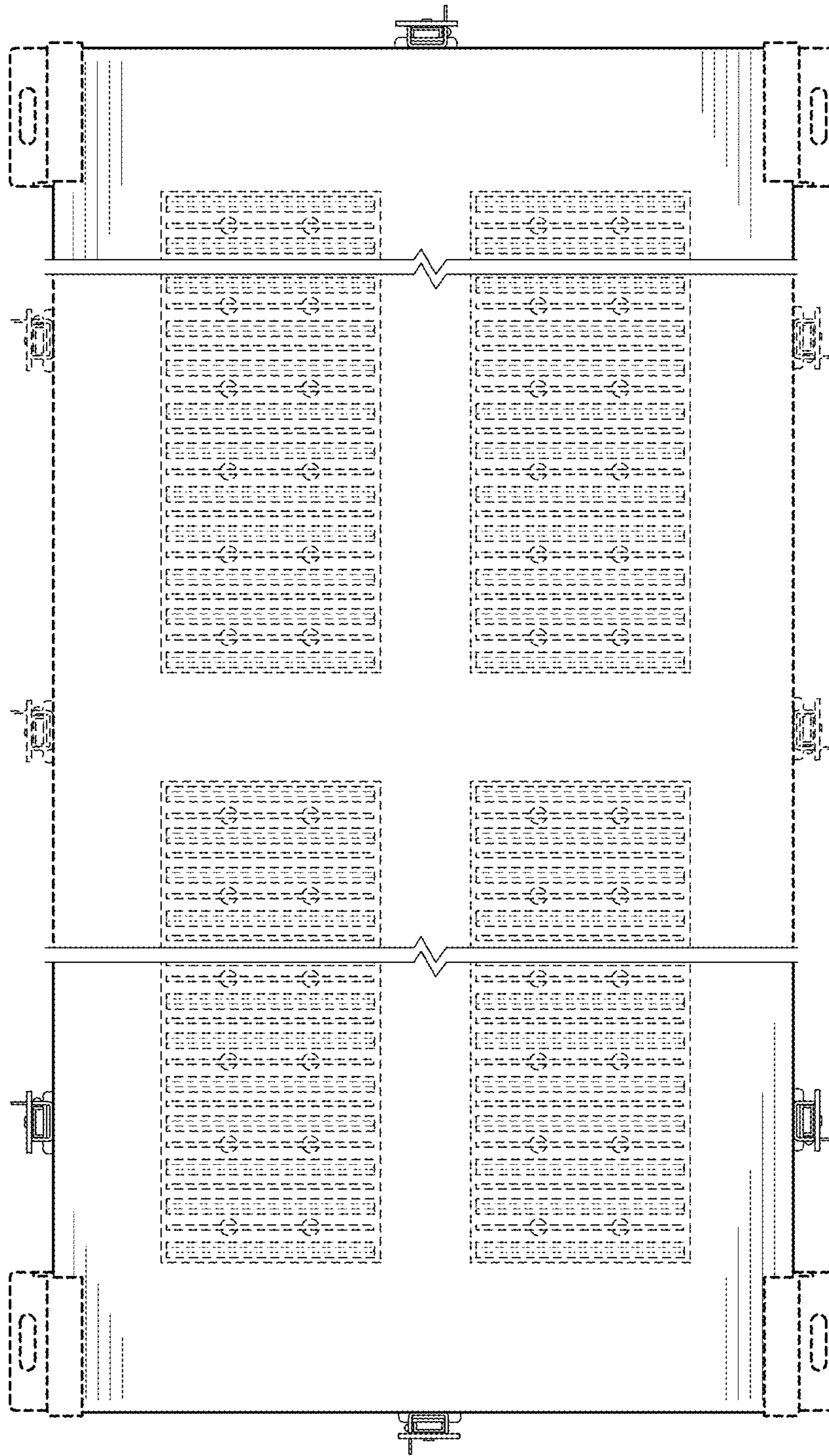


FIG. 13



**FIG. 14**