



US00D780360S

(12) **United States Design Patent**  
**Bobel**

(10) **Patent No.:** **US D780,360 S**

(45) **Date of Patent:** **\*\* Feb. 28, 2017**

(54) **LIGHT FIXTURE**

(71) Applicant: **Neptun Light, Inc.**, Lake Forest, IL  
(US)

(72) Inventor: **Andrzej Bobel**, Lake Forest, IL (US)

(73) Assignee: **Neptun Light, Inc.**, Lake Forest, IL  
(US)

(\*\*) Term: **15 Years**

(21) Appl. No.: **29/553,831**

(22) Filed: **Feb. 4, 2016**

(51) **LOC (10) Cl.** ..... **26-05**

(52) **U.S. Cl.**  
USPC ..... **D26/71**

(58) **Field of Classification Search**  
USPC ..... D26/63, 71, 92  
CPC .. F21S 8/033; F21S 8/036; F21S 8/085; F21S  
8/086; F21V 21/30; F21W 2111/02  
See application file for complete search history.

(56) **References Cited**

**U.S. PATENT DOCUMENTS**

D570,521 S *	6/2008	Belleau	.....	D26/71
D636,107 S *	4/2011	Compton	.....	D26/71
D647,237 S *	10/2011	Su	.....	D26/71
D660,493 S *	5/2012	Janssen	.....	D26/71
D660,495 S *	5/2012	Walker	.....	D26/71

D678,581 S *	3/2013	Du	.....	D26/71
D708,379 S *	7/2014	Ruffalo	.....	D26/71
D718,482 S *	11/2014	Snell	.....	D26/71
D718,483 S *	11/2014	Meredith	.....	D26/71
D719,696 S *	12/2014	Zhang	.....	D26/71
D743,082 S *	11/2015	Neri	.....	D26/71
2004/0196653 A1 *	10/2004	Clark	.....	F21S 8/086 362/183
2009/0310381 A1 *	12/2009	Chang	.....	F21V 29/004 362/555

\* cited by examiner

*Primary Examiner* — Clare E Heflin

(74) *Attorney, Agent, or Firm* — Adam S. Bobel

(57) **CLAIM**

The ornamental design for a light fixture, as shown and described.

**DESCRIPTION**

FIG. 1 is a bottom view of light fixture showing the claimed design;

FIG. 2 is a top view thereof;

FIG. 3 is a left side view thereof;

FIG. 4 is an enlarged front view thereof;

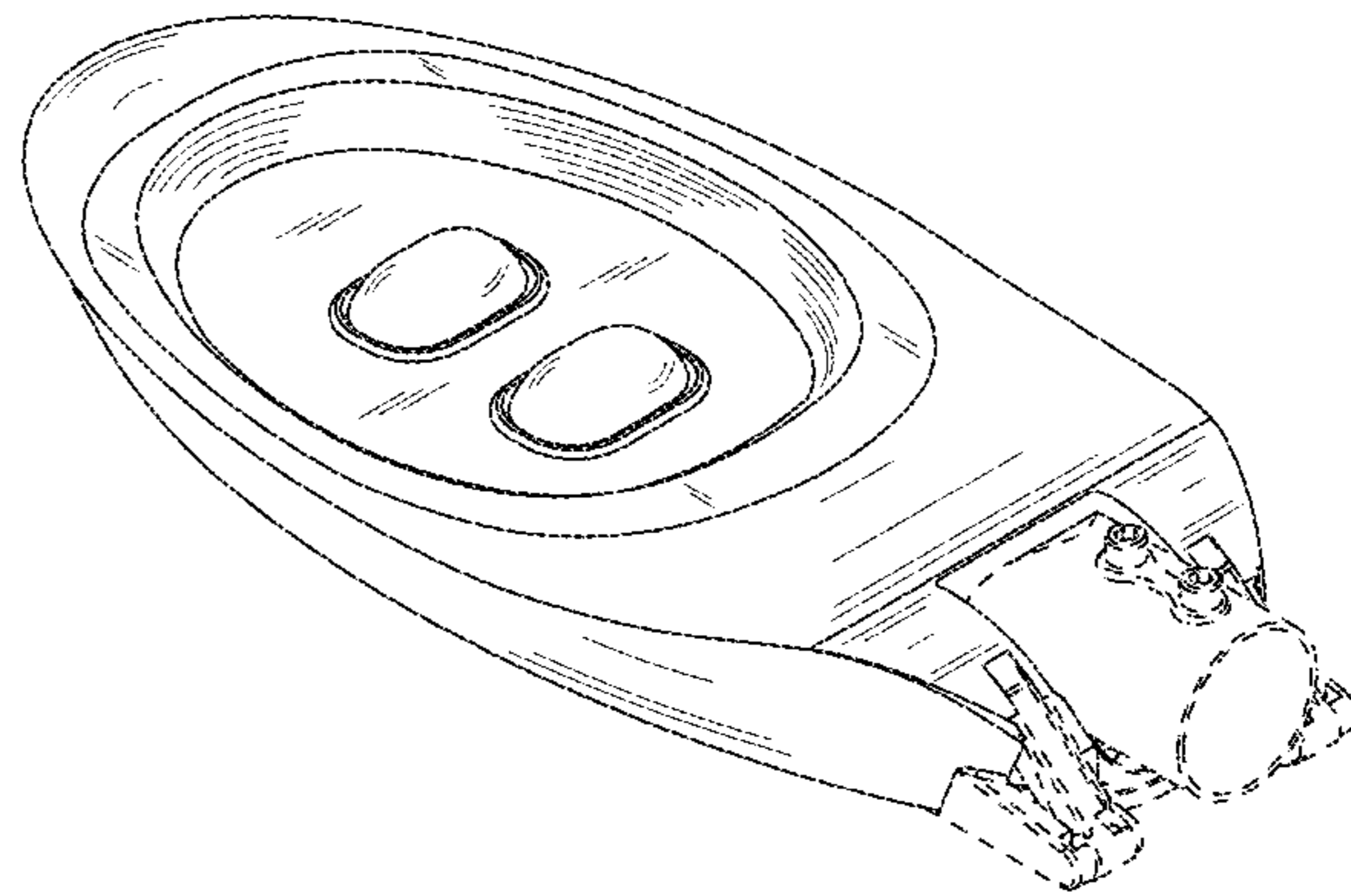
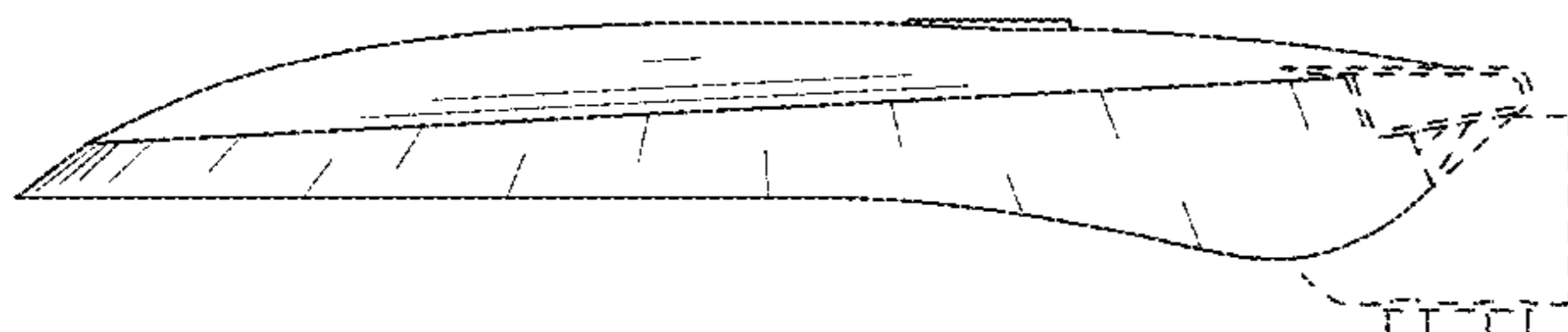
FIG. 5 is an enlarged rear view thereof;

FIG. 6 is a top perspective view thereof; and,

FIG. 7 is a bottom perspective view thereof.

The broken line disclosure represents unclaimed portions of the light fixture.

**1 Claim, 7 Drawing Sheets**



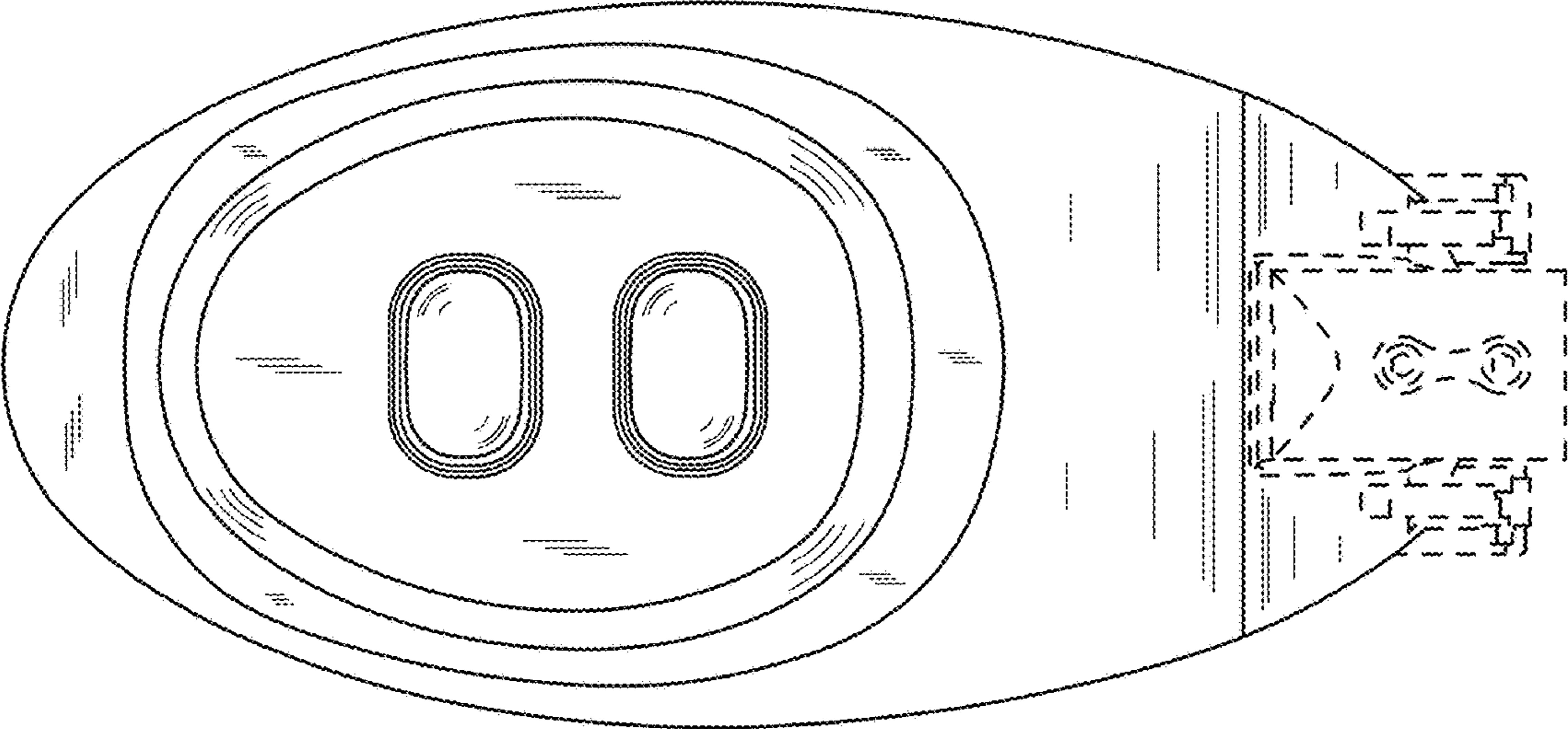


Fig. 1

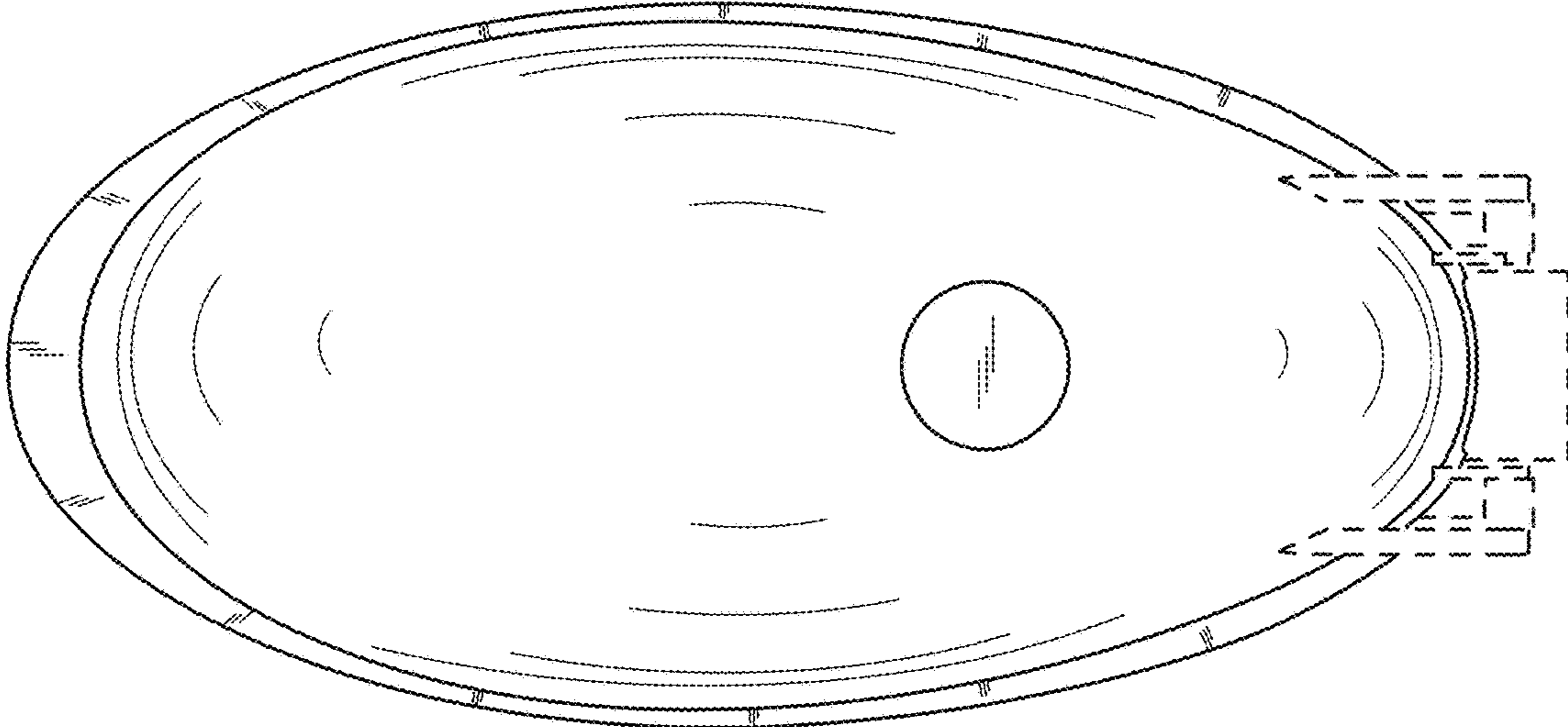


Fig. 2

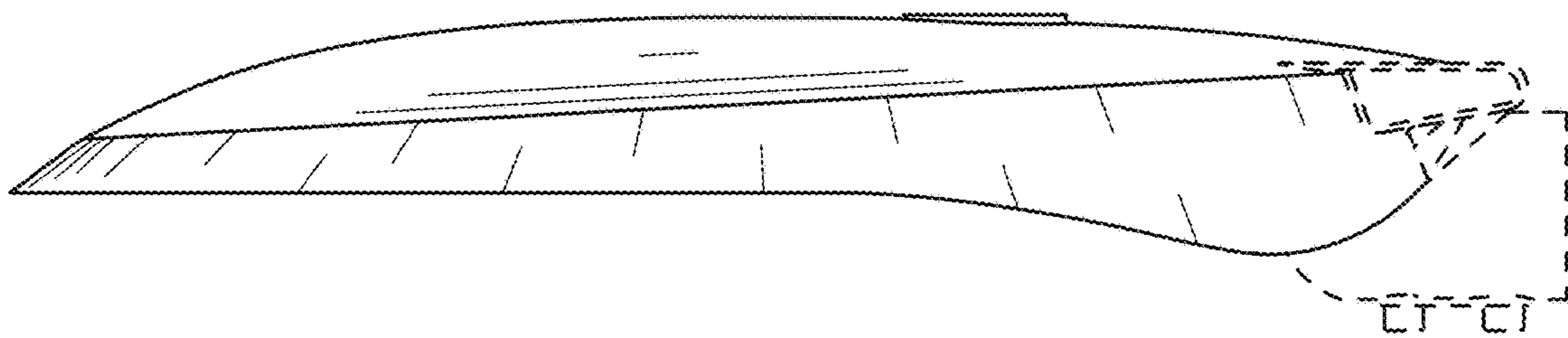


Fig. 3

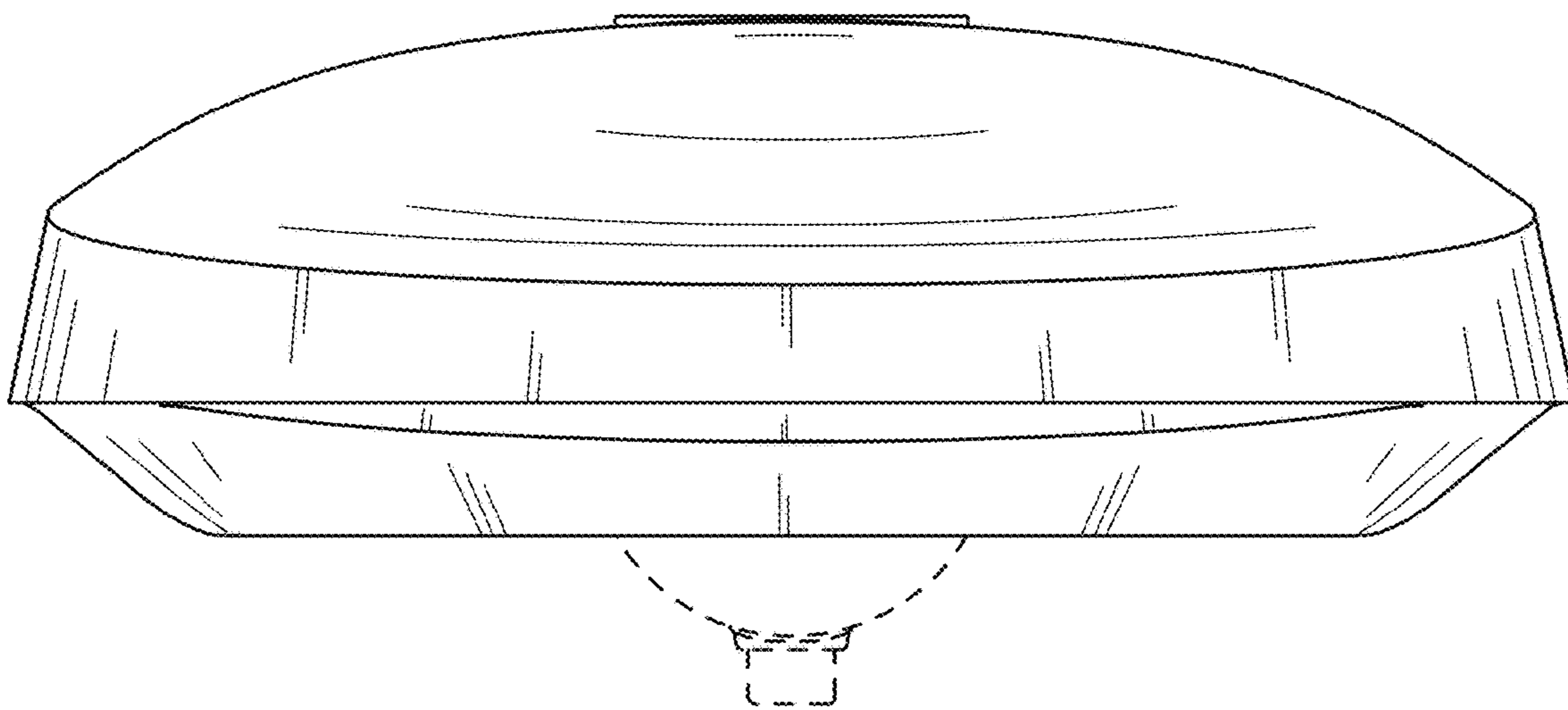


Fig. 4

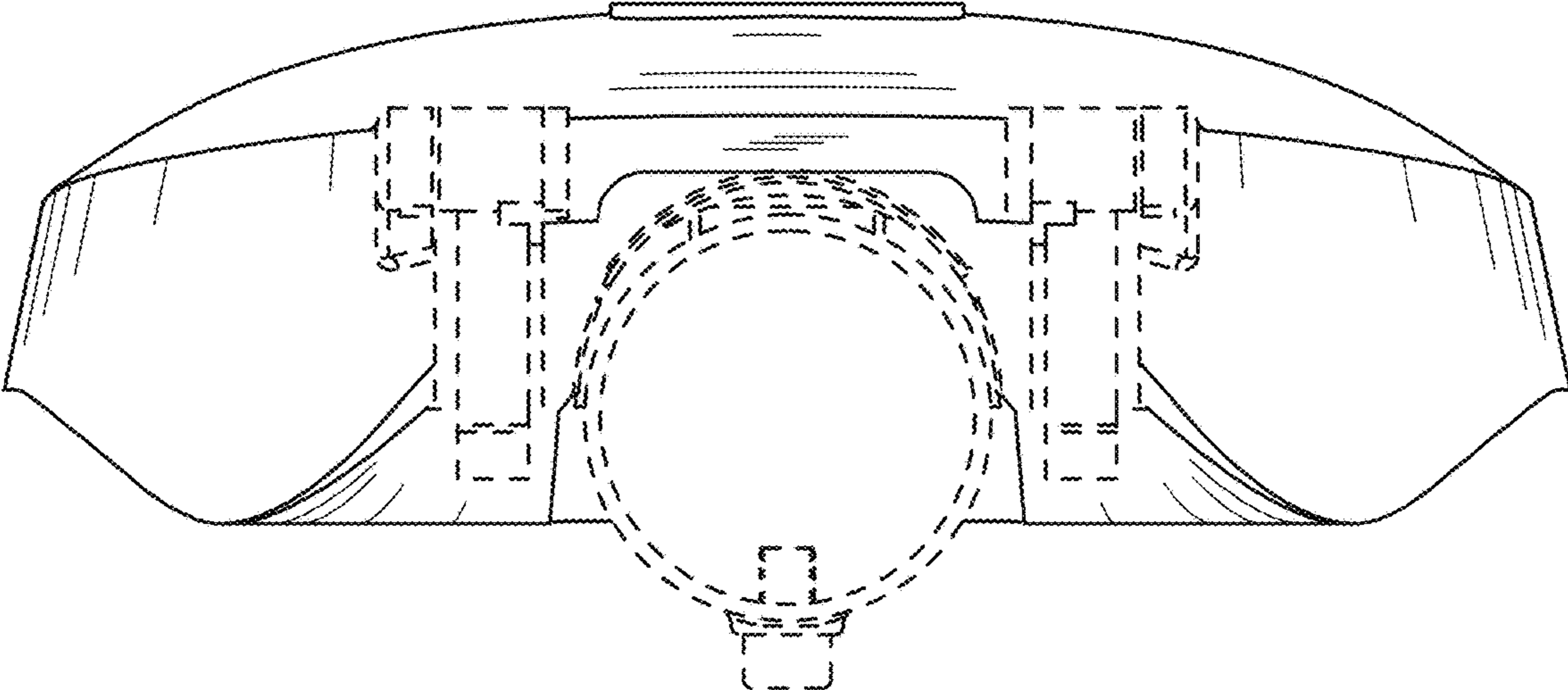


Fig. 5

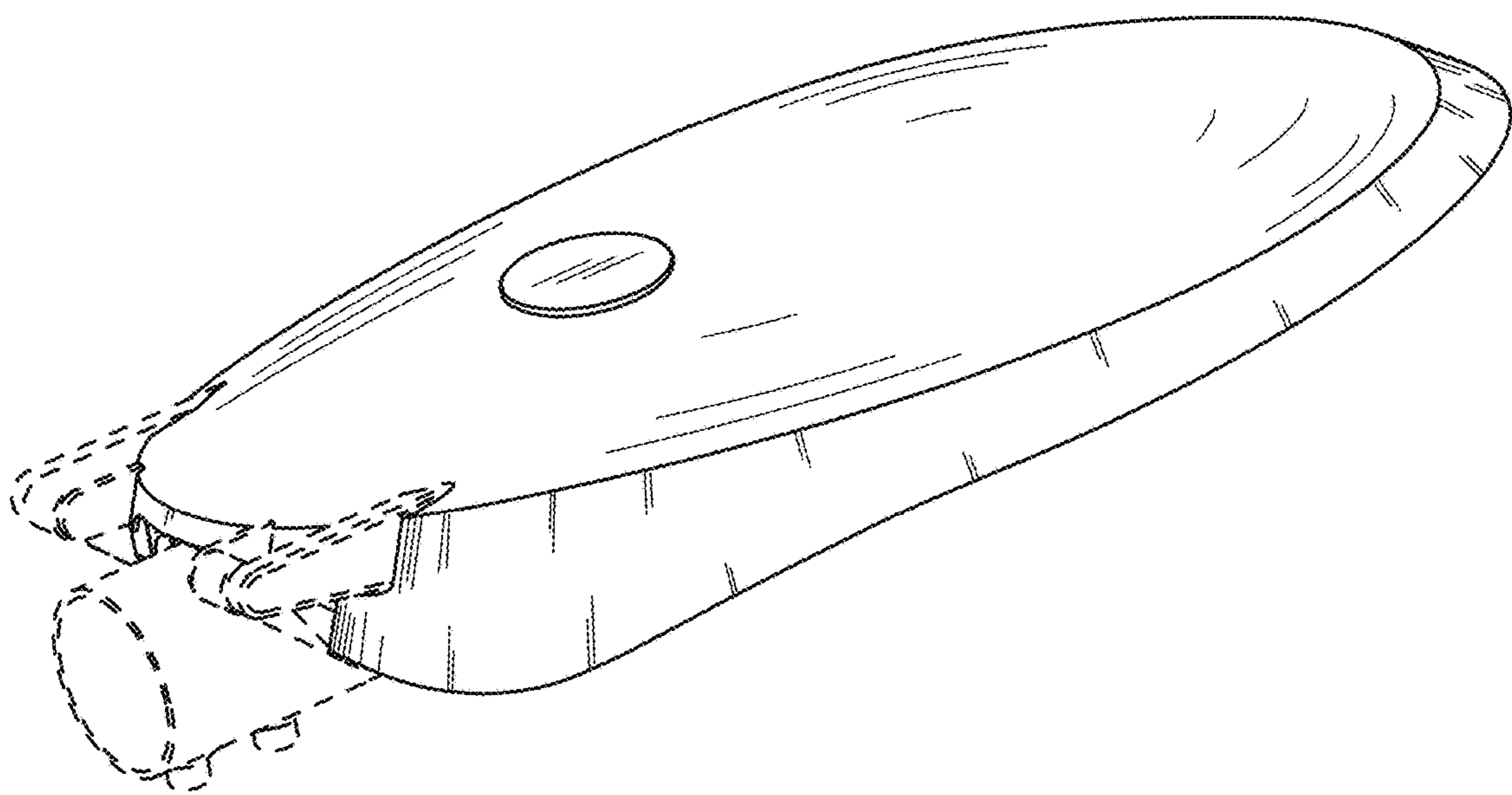


Fig. 6



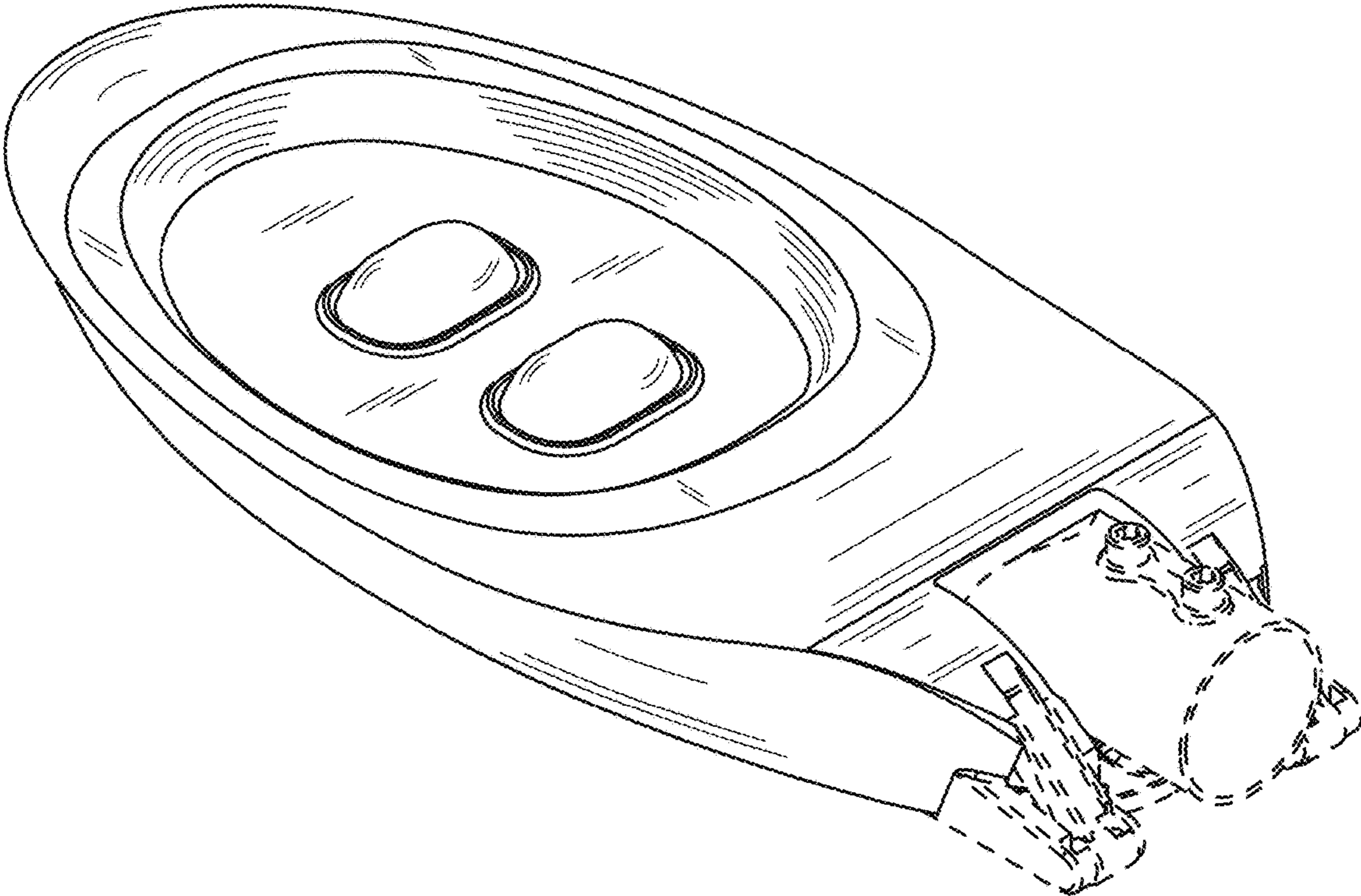


Fig. 7