



US00D780359S

(12) **United States Design Patent**  
**Chen et al.**

(10) **Patent No.:** **US D780,359 S**  
(45) **Date of Patent:** **\*\* Feb. 28, 2017**

(54) **LED LUMINAIRE**

(71) Applicant: **HANGZHOU HPWINNER OPTO CORPORATION**, Hangzhou (CN)

(72) Inventors: **Kai Chen**, Hangzhou (CN); **Jianming Huang**, Hangzhou (CN)

(73) Assignee: **HANGZHOU HPWINNER OPTO CORPORATION**, Hangzhou (CN)

(\*\*) Term: **15 Years**

(21) Appl. No.: **29/543,647**

(22) Filed: **Oct. 27, 2015**

(30) **Foreign Application Priority Data**

Apr. 28, 2015 (CN) ..... 2015 3 0118099

(51) **LOC (10) Cl.** ..... **26-03**

(52) **U.S. Cl.**  
USPC ..... **D26/63**

(58) **Field of Classification Search**  
USPC ..... D26/60-66, 72, 85, 87, 92  
CPC ..... F21K 9/00; F21V 5/007; F21V 7/005;  
F21V 7/0083; F21V 11/04; F21V 11/14;  
F21V 15/01; F21V 19/001; F21V 21/002;  
F21V 21/06; F21V 21/0885; F21V  
21/145; F21V 21/30; F21V 33/0024

See application file for complete search history.

(56) **References Cited**

U.S. PATENT DOCUMENTS

D226,020 S *	1/1973	Anderson	.....	D26/63
D625,870 S *	10/2010	Feigenbaum	.....	D26/63
D650,109 S *	12/2011	Maxik	.....	D26/63
D654,607 S *	2/2012	Kim	.....	D26/63
D689,234 S *	9/2013	Zhang	.....	D26/63
D695,435 S *	12/2013	Pedersen	.....	D26/63
D707,379 S *	6/2014	Reinoso	.....	D26/63

\* cited by examiner

*Primary Examiner* — Brian N Vinson

(74) *Attorney, Agent, or Firm* — Brown & Michaels, PC

(57) **CLAIM**

The ornamental design for a LED luminaire, as shown and described.

**DESCRIPTION**

FIG. 1 is a front view of the LED luminaire.  
FIG. 2 is a rear view of the LED luminaire  
FIG. 3 is a top view of the LED luminaire  
FIG. 4 is a bottom view of the LED luminaire  
FIG. 5 is a left side view of the LED luminaire  
FIG. 6 is a right side view of the LED luminaire.  
FIG. 7 is a first perspective view of the LED luminaire; and,  
FIG. 8 is a second perspective view of the LED luminaire.  
The broken line disclosure represents portions of the luminaire which form no part of the claimed design.

**1 Claim, 5 Drawing Sheets**

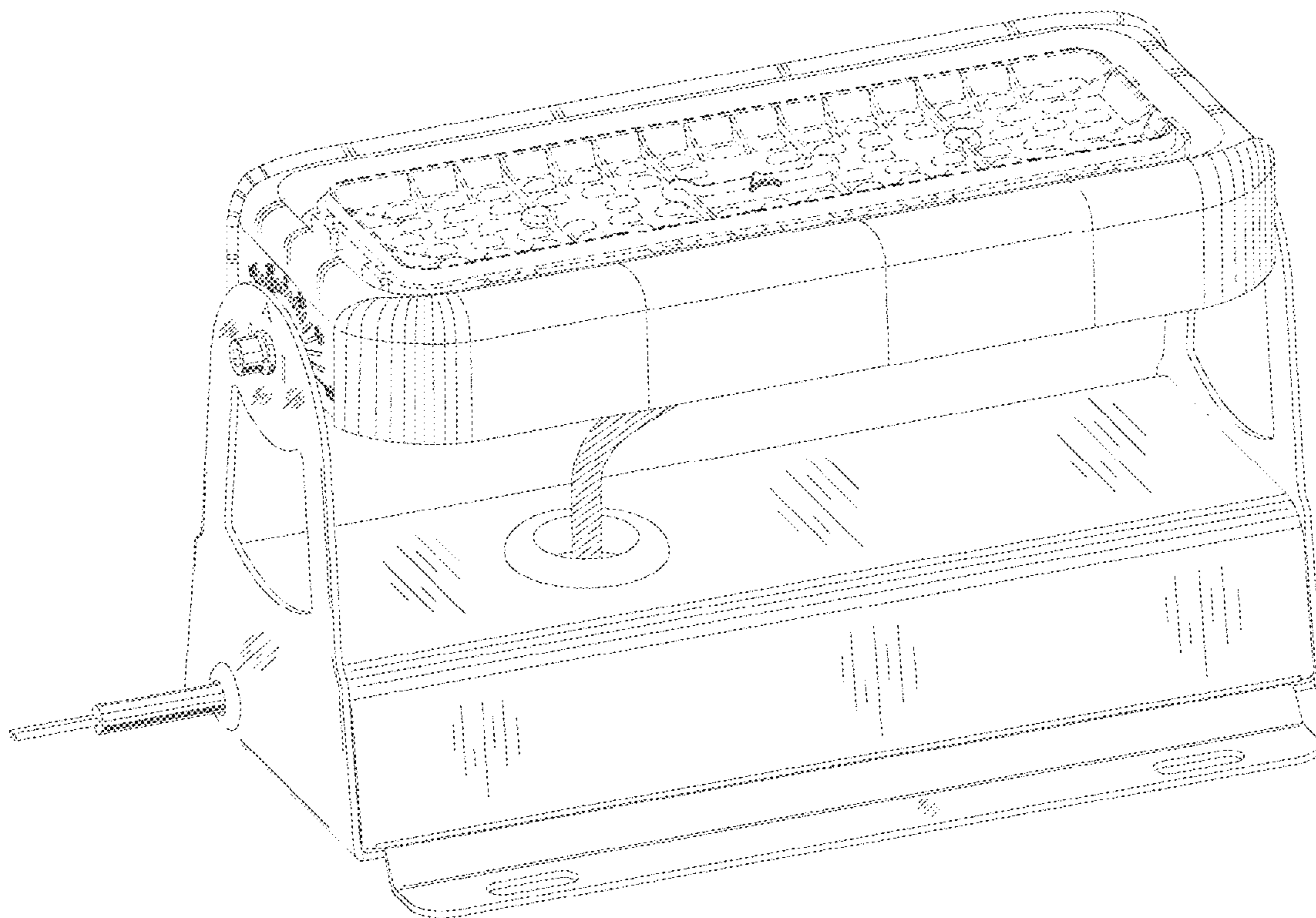


Fig. 1

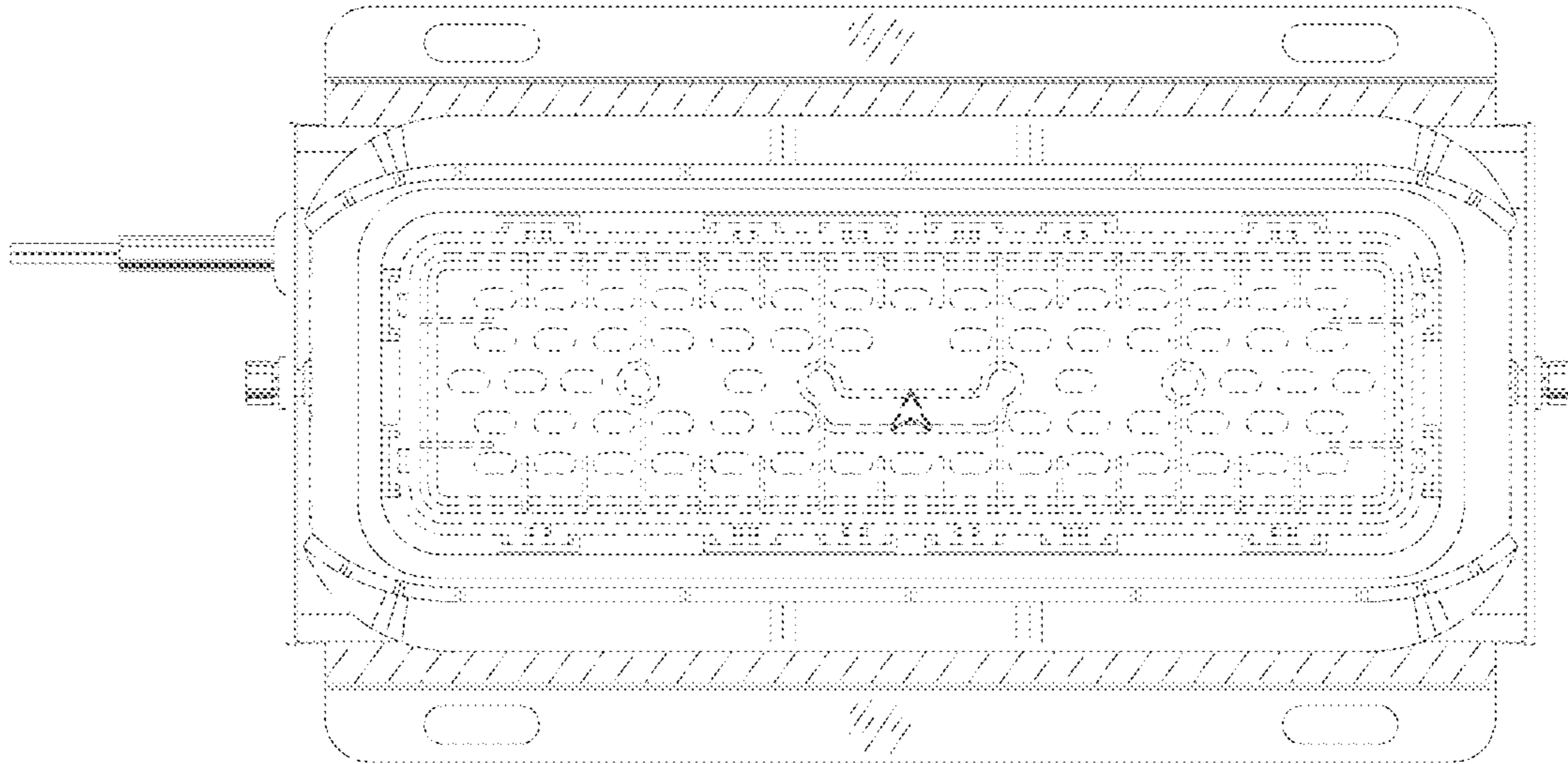


Fig. 2

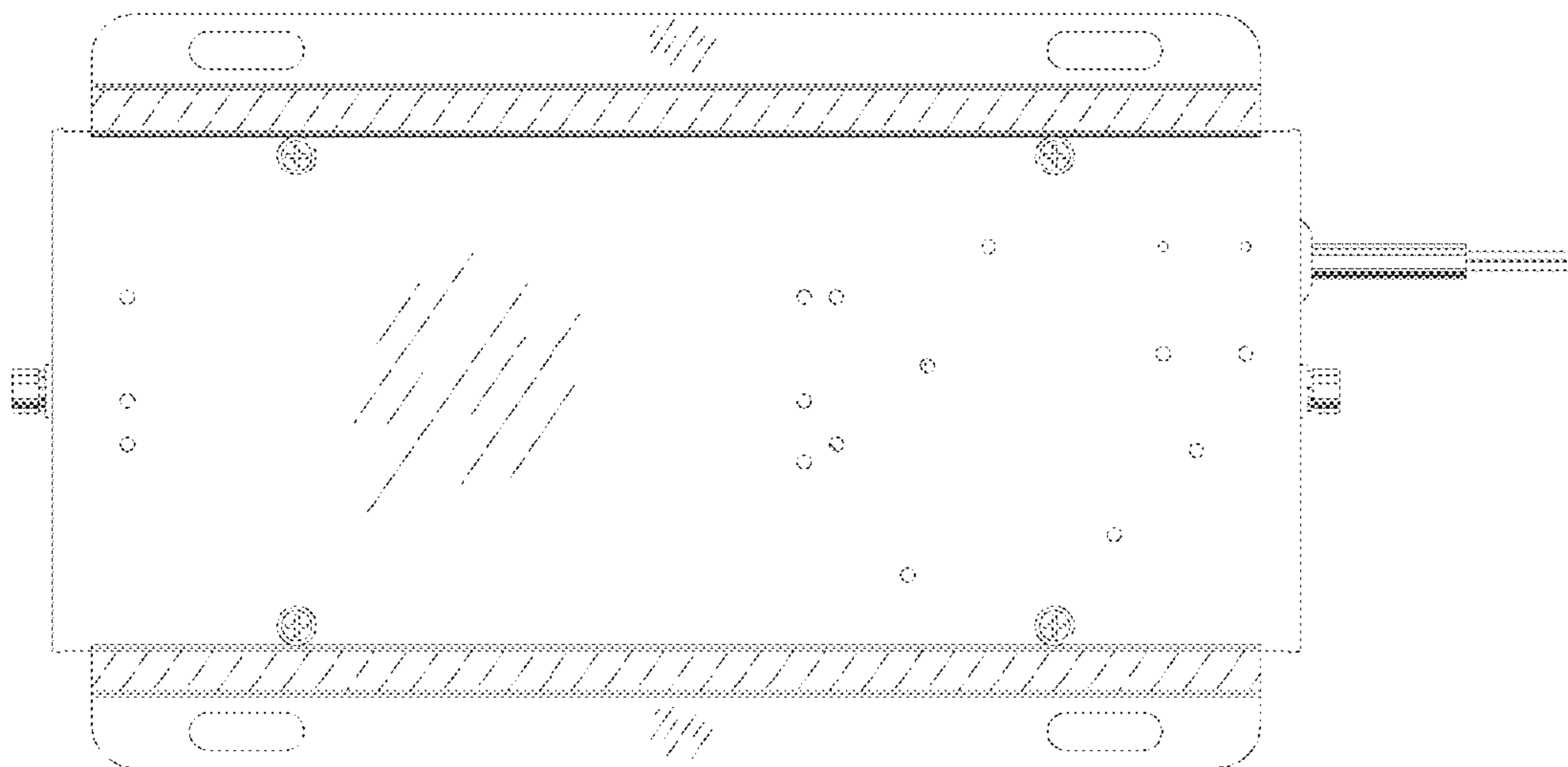


Fig. 3

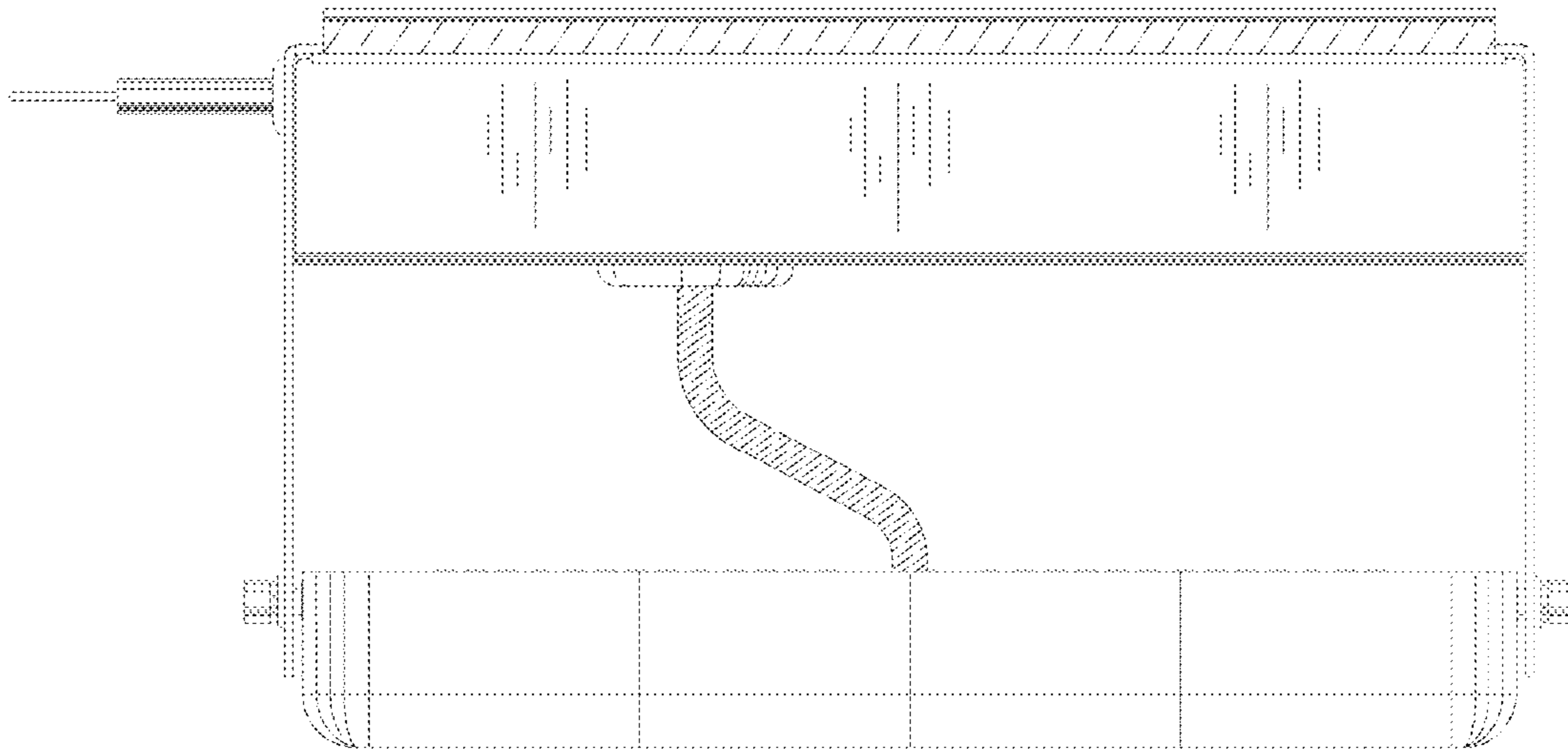


Fig. 4

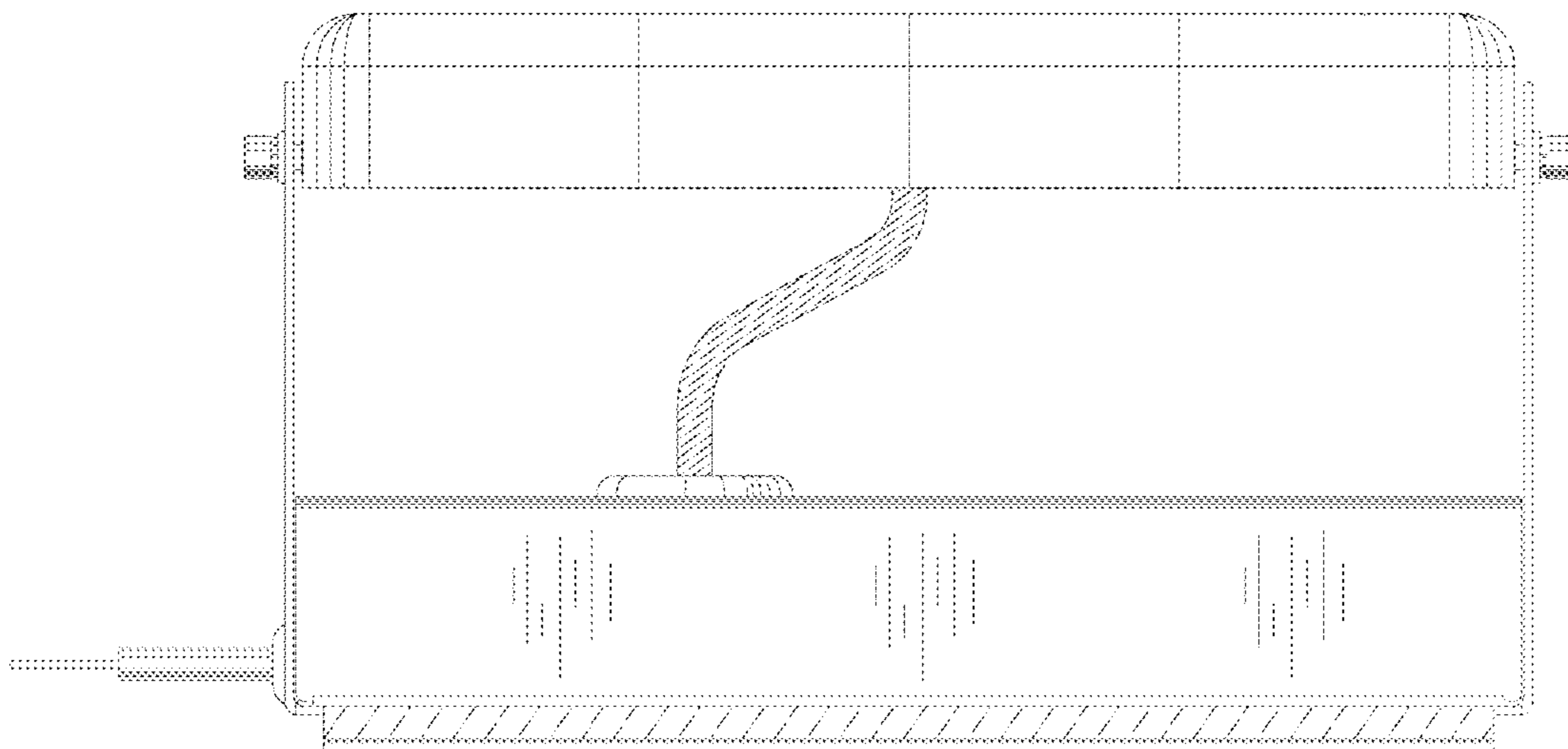


Fig. 5

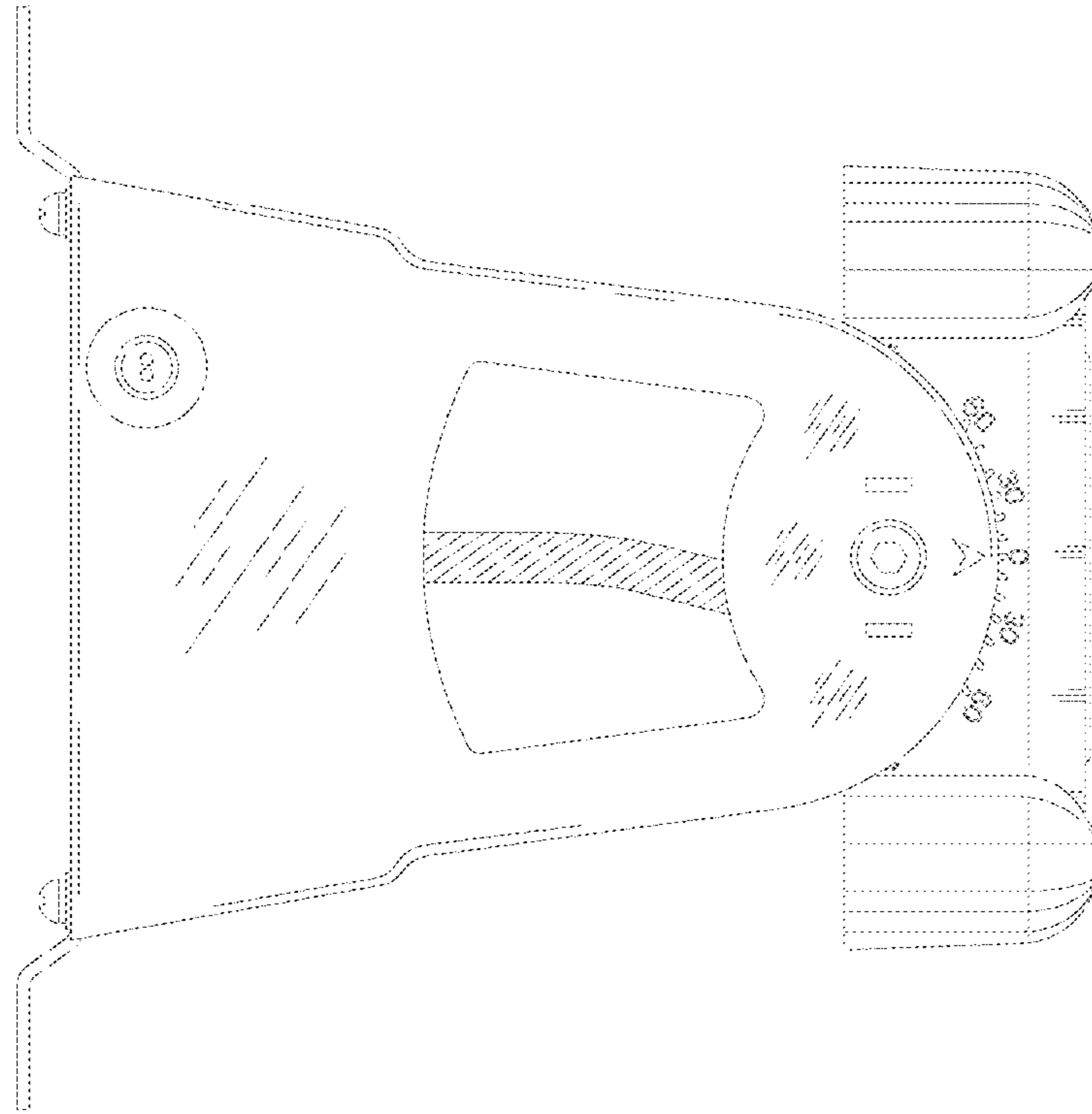


Fig. 6

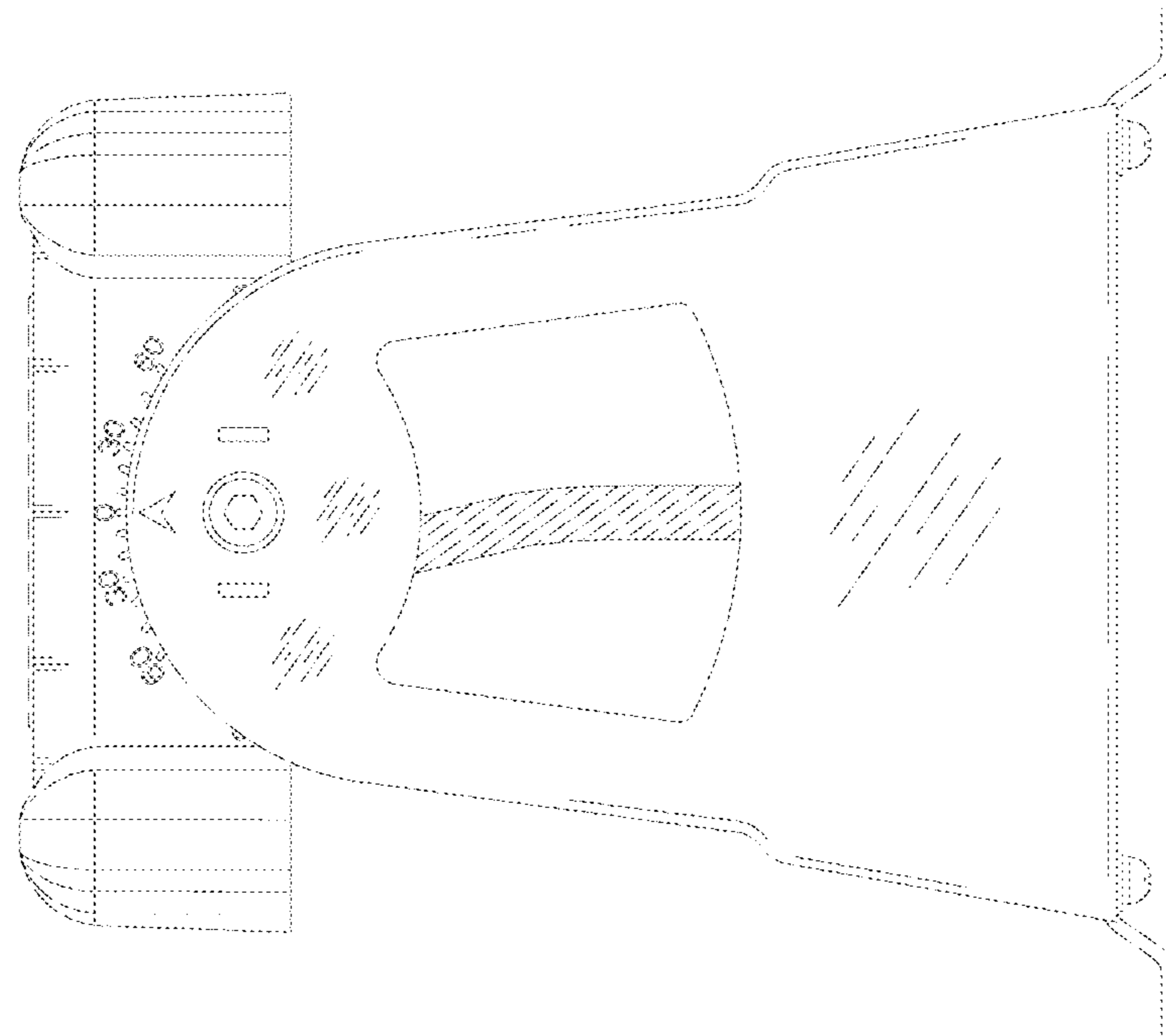


Fig. 7

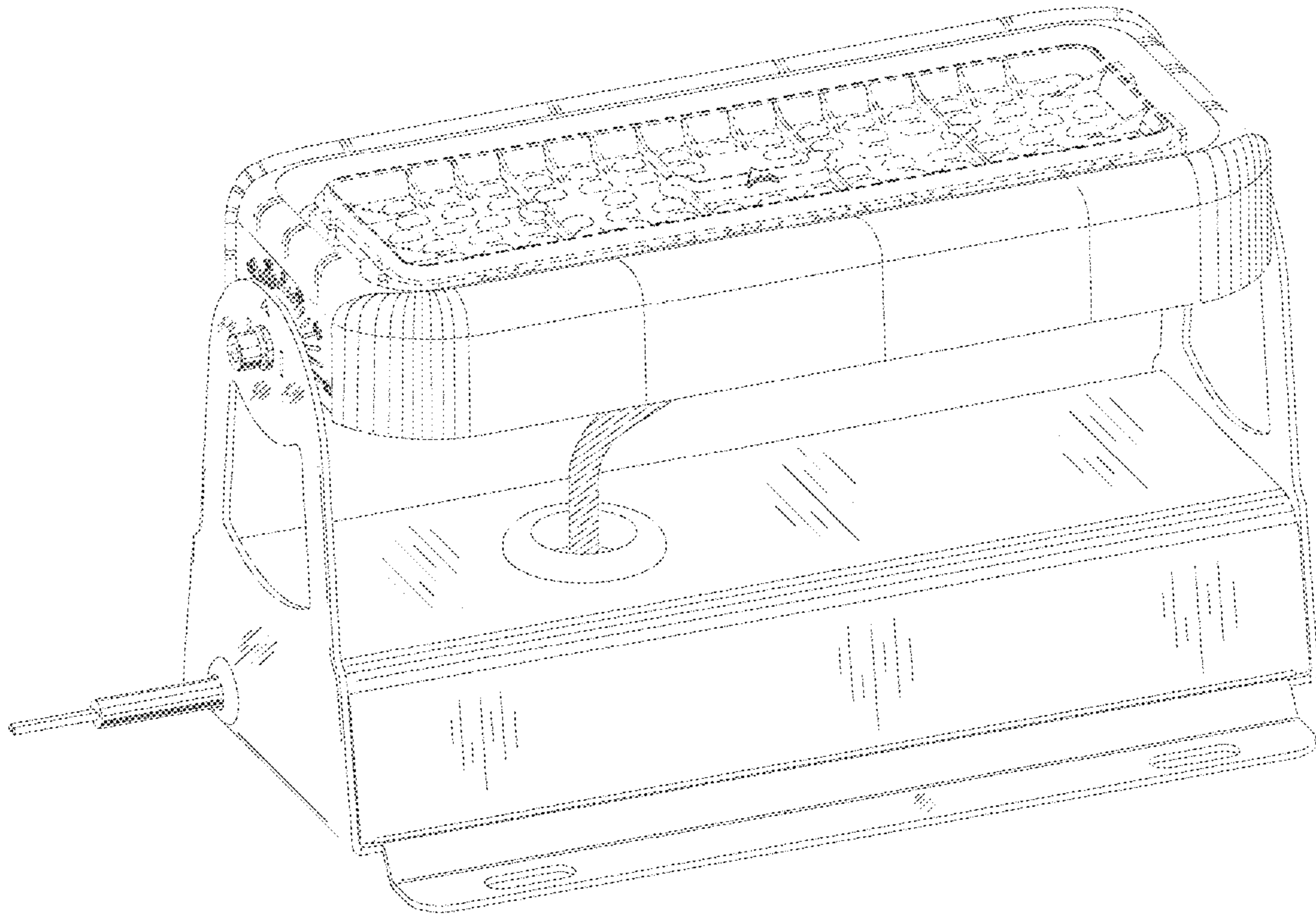


Fig. 8

