



US00D780357S

(12) **United States Design Patent**  
**Kliegl**

(10) **Patent No.:** **US D780,357 S**

(45) **Date of Patent:** **\*\* Feb. 28, 2017**

(54) **LIGHTING DEVICE**

(71) Applicant: **Production Resource Group, LLC,**  
New Windsor, NY (US)

(72) Inventor: **Robert Kliegl,** Putnam Valley, NY (US)

(73) Assignee: **Production Resource Group, LLC,**  
New Windsor, NY (US)

(\*\*) Term: **15 Years**

(21) Appl. No.: **29/543,458**

(22) Filed: **Oct. 23, 2015**

(51) **LOC (10) Cl.** ..... **26-03**

(52) **U.S. Cl.**  
USPC ..... **D26/63**

(58) **Field of Classification Search**  
USPC ..... D26/1, 24, 61, 63, 65, 85, 92  
CPC ..... F21V 21/14; F21V 15/01; F21V 14/02;  
F21V 21/30; F21V 21/00; F21V  
14/00; F21S 8/00; F21S 8/003; F21S  
8/043; F21Y 2105/001  
See application file for complete search history.

(56) **References Cited**

**U.S. PATENT DOCUMENTS**

3,725,695 A \* 4/1973 Eversberg ..... F21V 21/35  
174/99 B  
D287,413 S \* 12/1986 Kusmer ..... D26/65

D418,618 S \* 1/2000 Shuenn-Fa ..... D26/65  
D510,636 S \* 10/2005 Yamamoto ..... D26/28  
D624,224 S \* 9/2010 Guercio ..... D26/61  
D663,877 S \* 7/2012 Quevy ..... D26/63  
D712,580 S \* 9/2014 Kliegl ..... D26/63

\* cited by examiner

*Primary Examiner* — Brian N Vinson

(74) *Attorney, Agent, or Firm* — Law Office of Scott C  
Harris, Inc

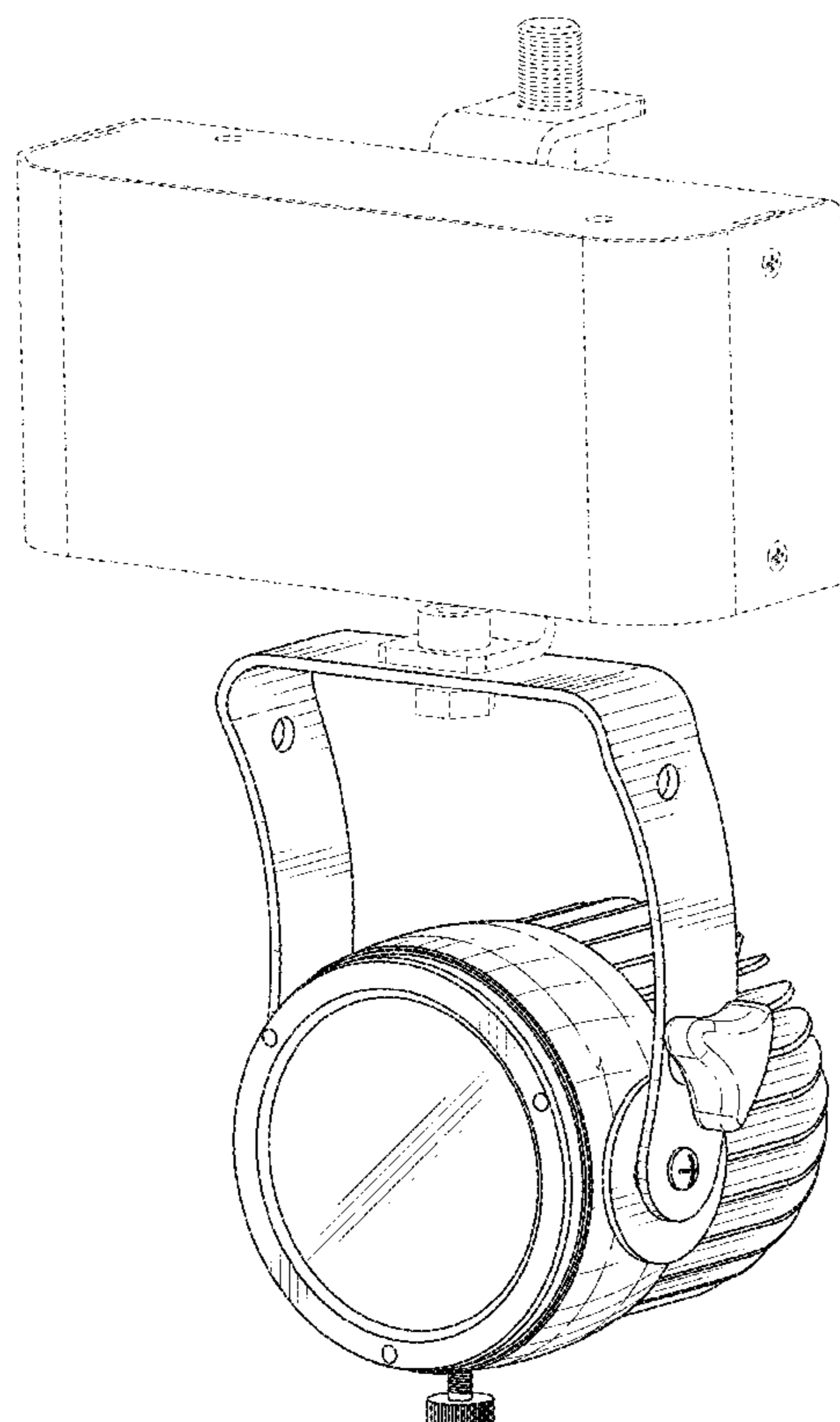
(57) **CLAIM**

The ornamental design for a lighting device, as shown and  
described.

**DESCRIPTION**

FIG. 1 is a side perspective view of the lighting device;  
FIG. 2 is a front view of the lighting device;  
FIG. 3 shows a rear view of the lighting device;  
FIG. 4 shows a side view of the lighting device from a first  
side;  
FIG. 5 shows a side view of the lighting device from a  
second side;  
FIG. 6 shows a top view of the lighting device; and,  
FIG. 7 shows a bottom view of the lighting device.  
The broken line disclosure represents portions of the lighting  
device which form no part of the claimed design.

**1 Claim, 6 Drawing Sheets**



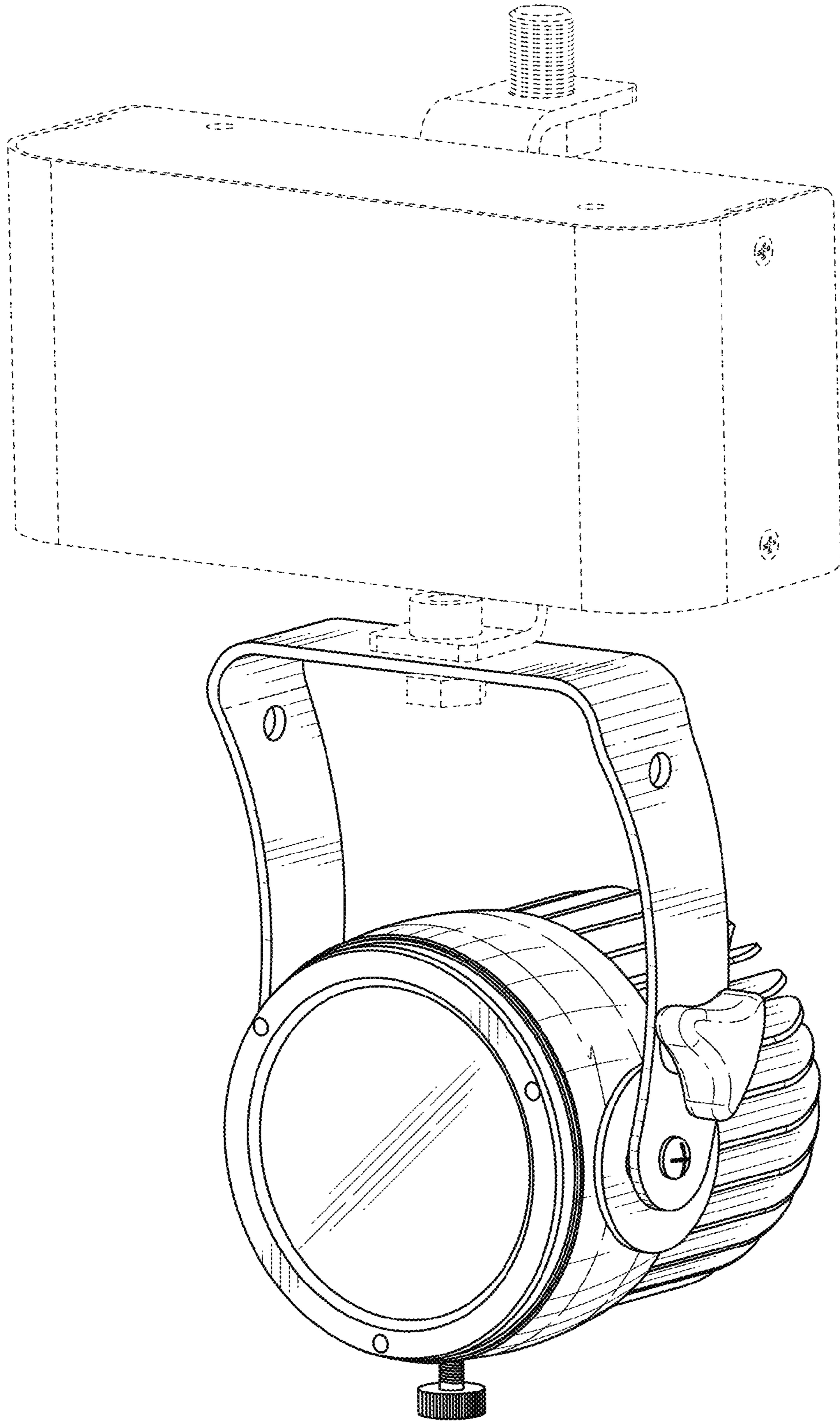


FIG. 1

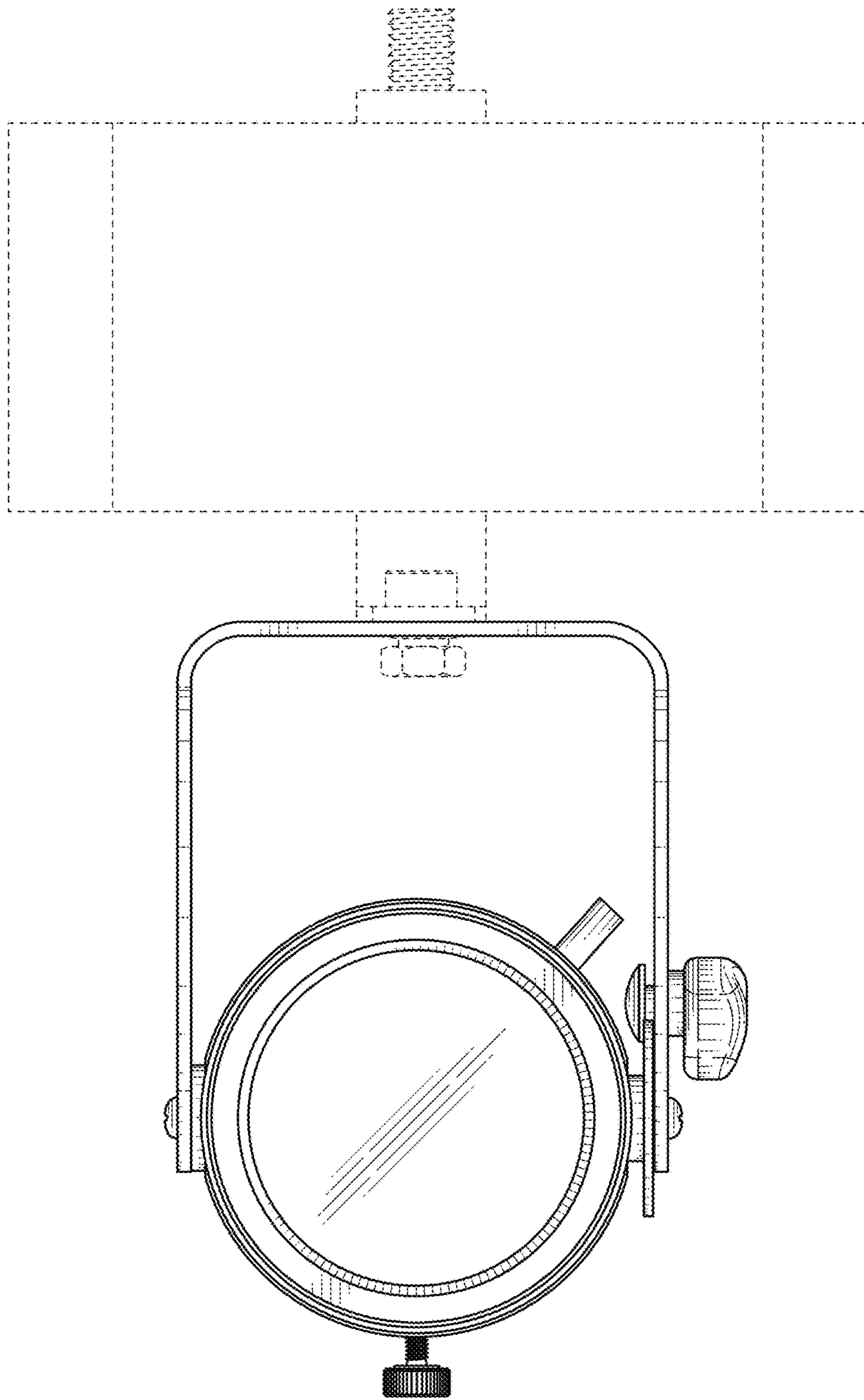


FIG. 2



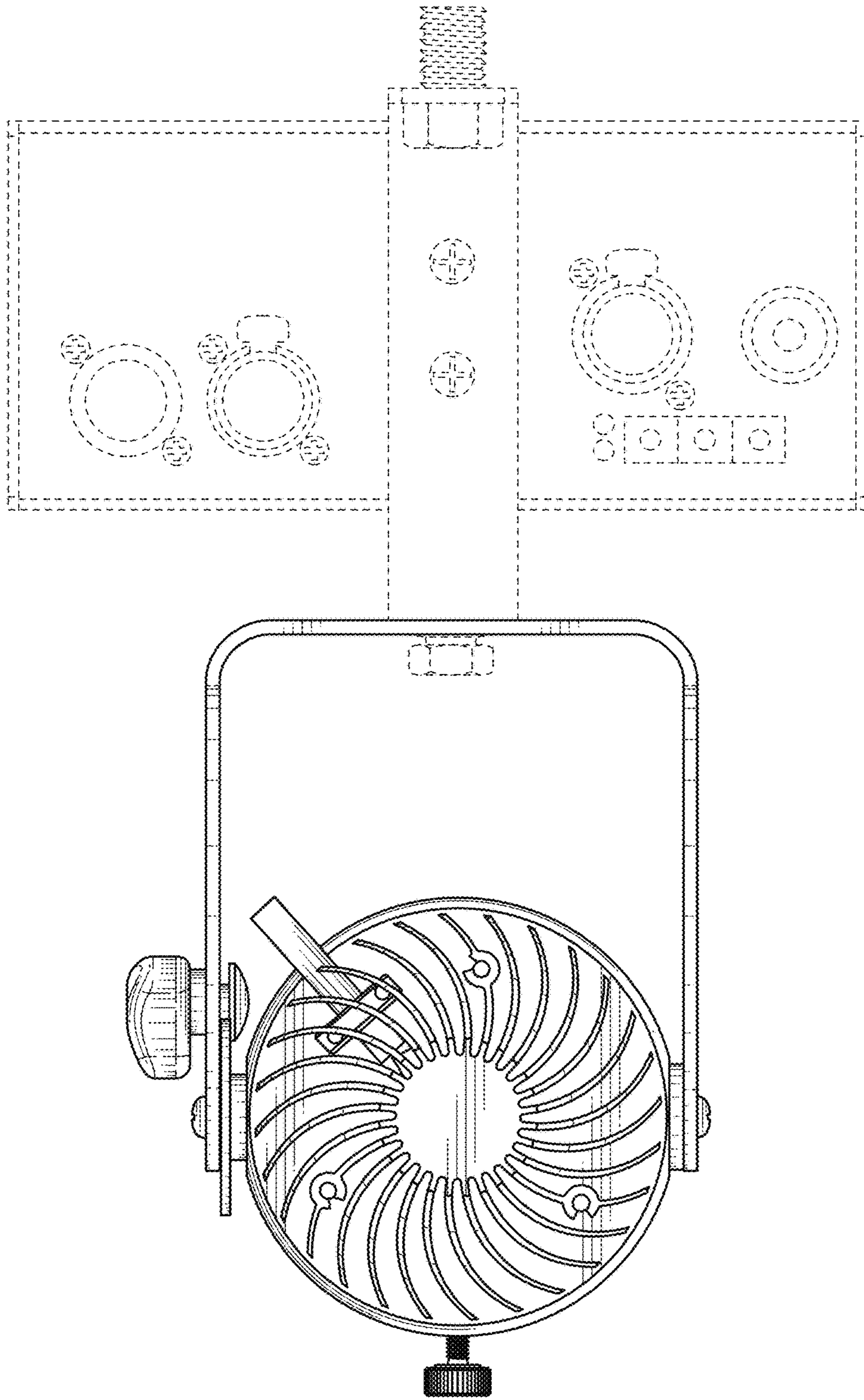


FIG. 3

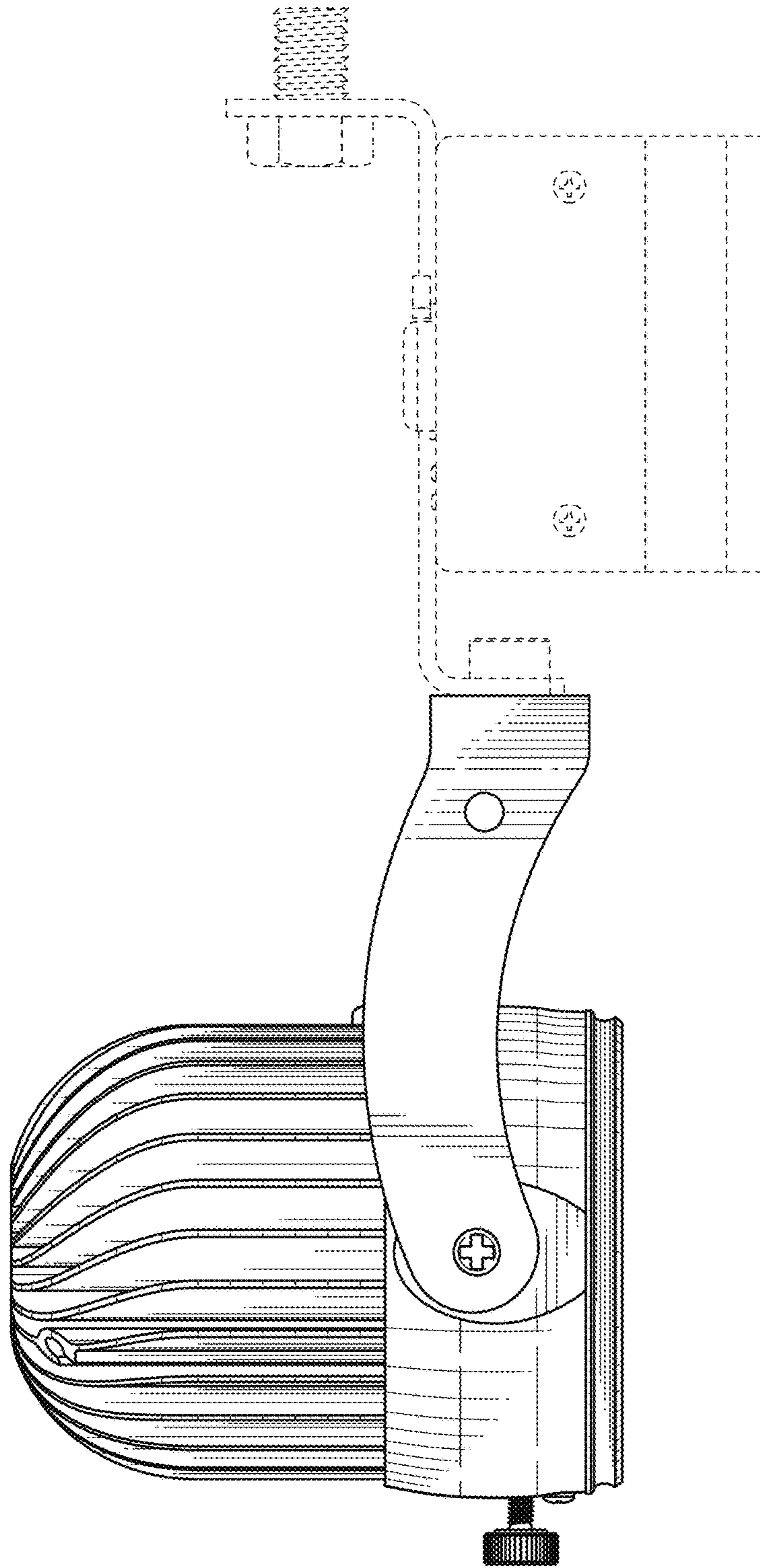


FIG. 4

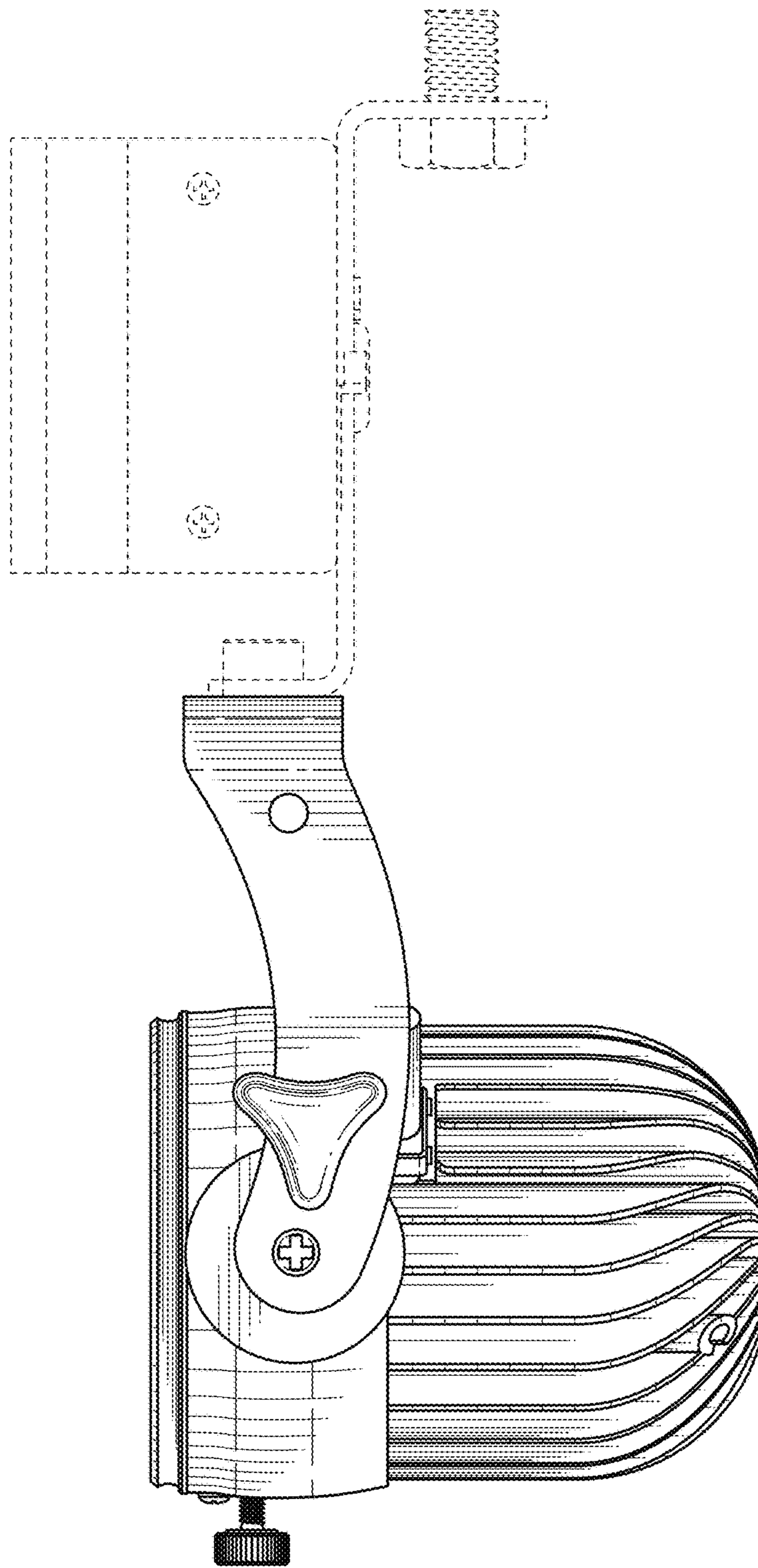


FIG. 5



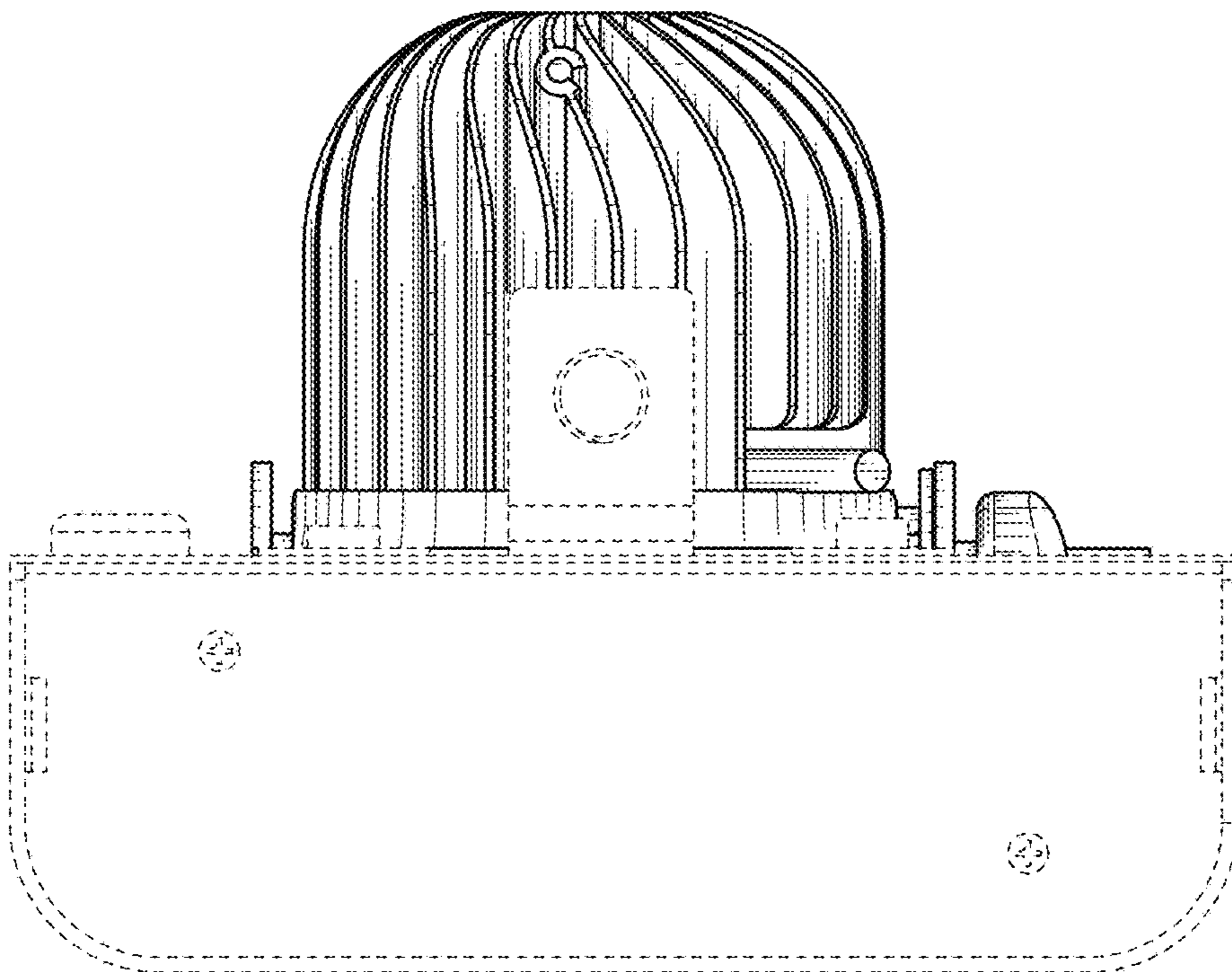


FIG. 6

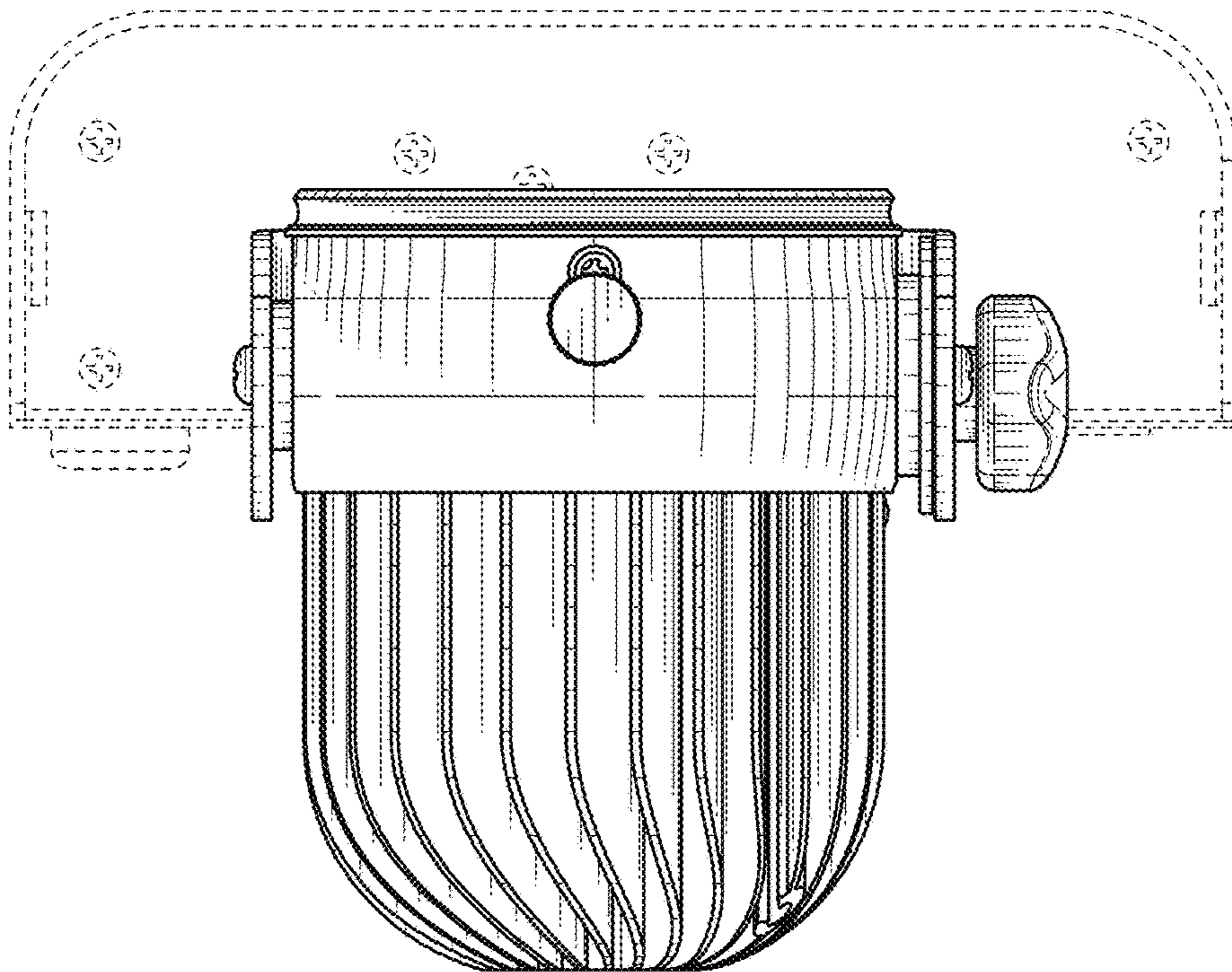


FIG. 7