



US00D780356S

(12) **United States Design Patent**
Nguyen

(10) **Patent No.:** **US D780,356 S**

(45) **Date of Patent:** **** Feb. 28, 2017**

(54) **LIGHTING DEVICE**

(71) Applicant: **SureFire, LLC**, Fountain Valley, CA
(US)

(72) Inventor: **Loc Nguyen**, Santa Ana, CA (US)

(73) Assignee: **SureFire, LLC**, Fountain Valley, CA
(US)

(**) Term: **14 Years**

(21) Appl. No.: **29/514,761**

(22) Filed: **Jan. 15, 2015**

(51) **LOC (10) Cl.** **26-02**

(52) **U.S. Cl.**
USPC **D26/49**

(58) **Field of Classification Search**

USPC D26/37, 38, 46, 49, 51; 362/157, 158,
362/183, 184, 194-196, 202-208, 253
CPC F21L 2003/00; F21L 4/00; F21L 4/005;
F21L 4/02; F21L 4/025; F21L
4/027; F21L 4/04; F21L 4/08; F21L
2005/00; F21L 7/00; F21L 11/00; F21L
13/00; F21L 13/04; F21L 13/08; F21L
14/02; F21L 17/00; F21L 19/00; F21L
25/00

See application file for complete search history.

(56) **References Cited**

U.S. PATENT DOCUMENTS

D455,513 S * 4/2002 Galli D26/49
D501,054 S * 1/2005 Galli D26/37

D526,730 S * 8/2006 Galli D26/37
D565,220 S * 3/2008 Galli D26/49
D577,843 S * 9/2008 Couture D26/49
D596,329 S * 7/2009 Galli D26/49
D601,737 S * 10/2009 Swan D26/49
D621,538 S * 8/2010 Bushee D26/49
D644,775 S * 9/2011 Nguyen D26/49
D646,008 S * 9/2011 Couture D26/49
D740,988 S * 10/2015 Robinson D26/49
D749,254 S * 2/2016 Robinson D26/37

* cited by examiner

Primary Examiner — Ian Simmons

Assistant Examiner — Carissa C Fitts

(74) *Attorney, Agent, or Firm* — Haynes and Boone, LLP

(57) **CLAIM**

The ornamental design for a lighting device, as shown and described.

DESCRIPTION

FIG. 1 is a front perspective view of a lighting device showing my new design;

FIG. 2 is a rear perspective view thereof;

FIG. 3 is a right side elevational view thereof;

FIG. 4 is a left side elevational view thereof;

FIG. 5 is a top plan view thereof;

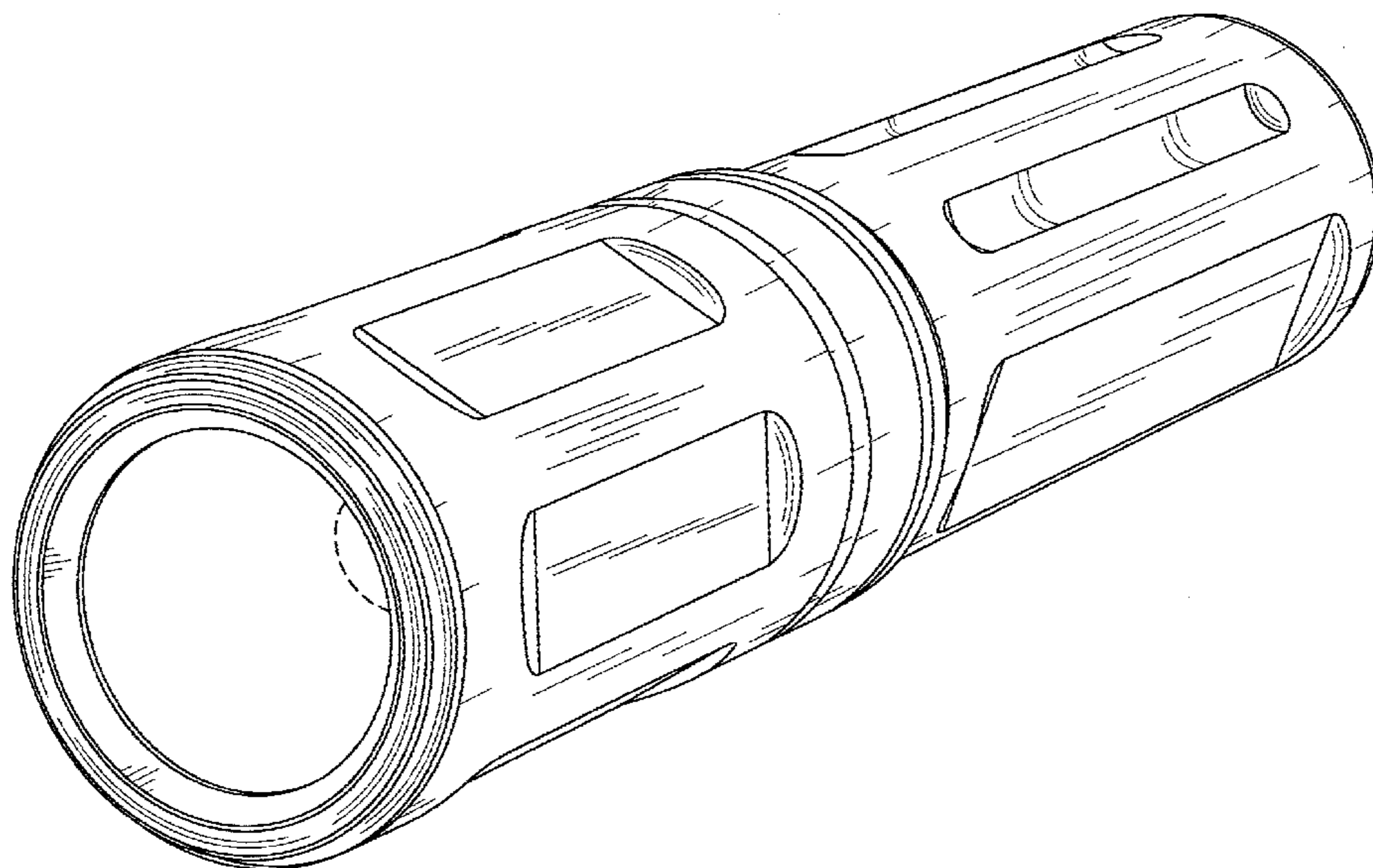
FIG. 6 is a bottom plan view thereof;

FIG. 7 is a front side elevational view thereof; and,

FIG. 8 is a rear side elevational view thereof.

The broken line showing represents portions of the article not claimed and forms no part of the claimed design.

1 Claim, 7 Drawing Sheets



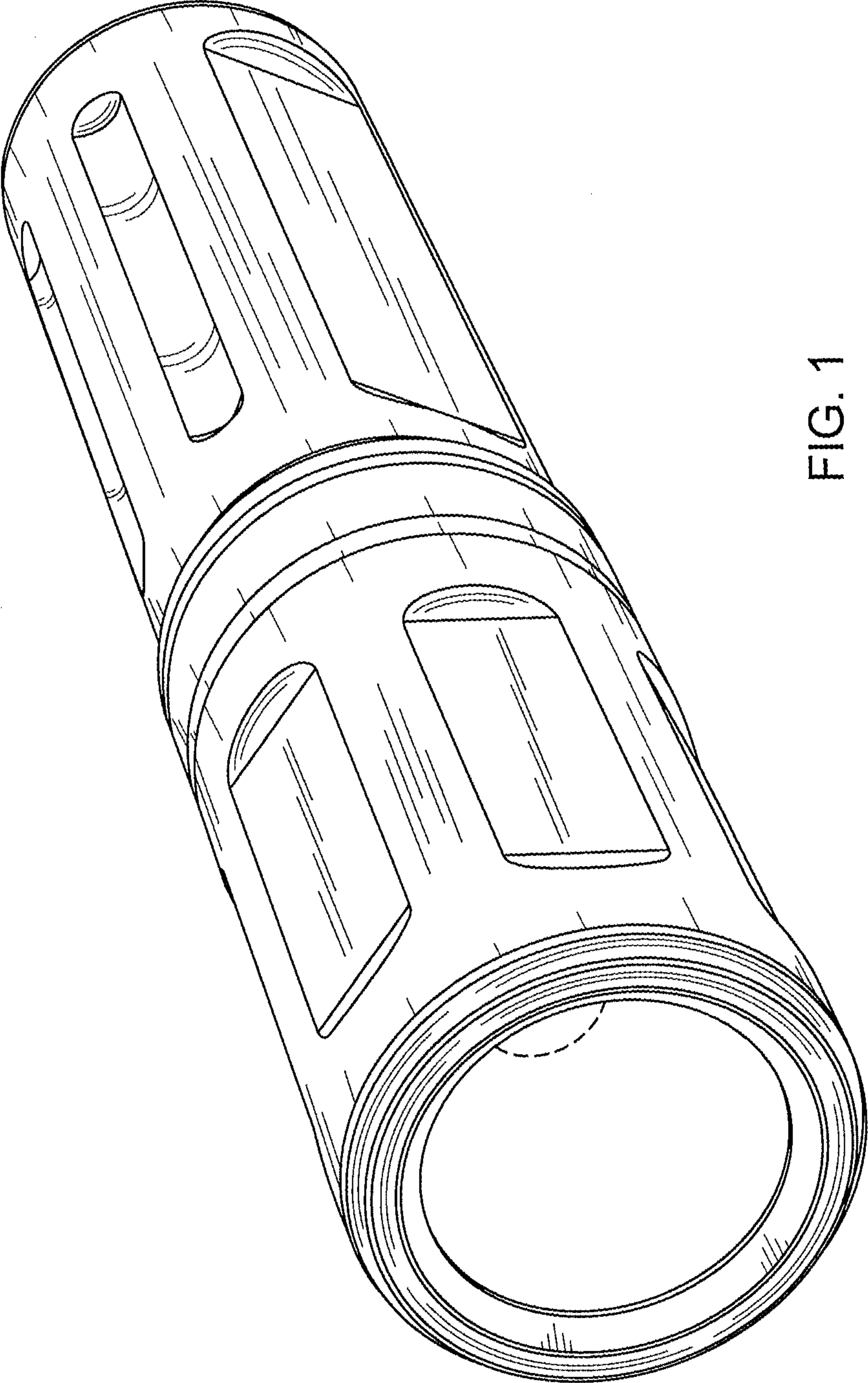


FIG. 1

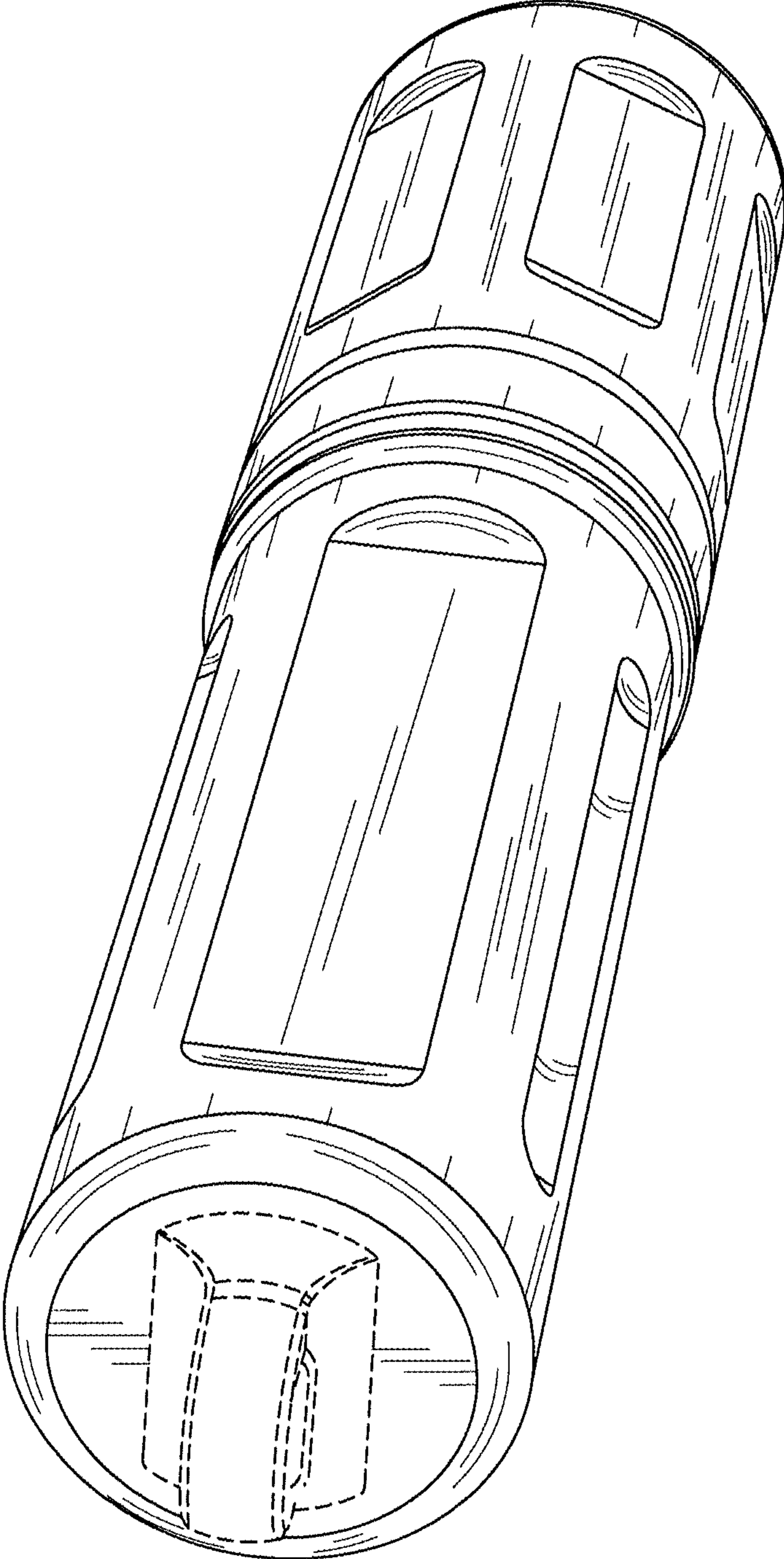


FIG. 2

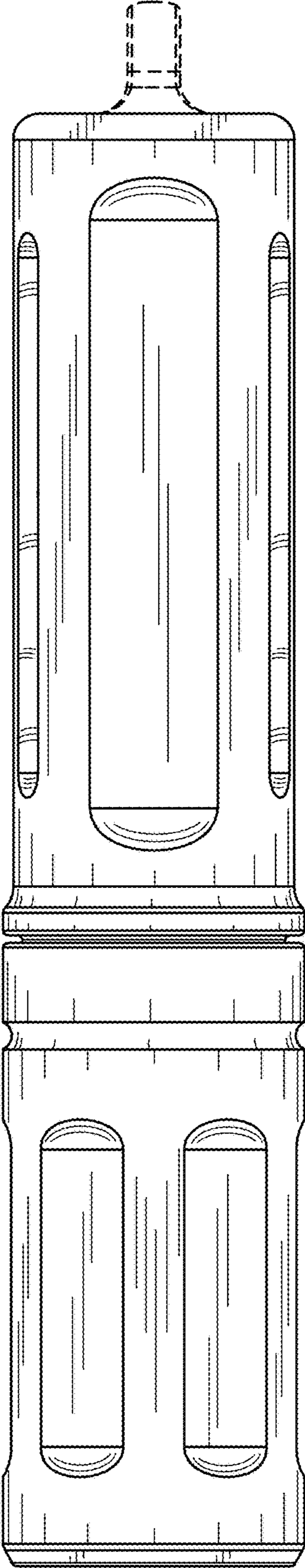


FIG. 3

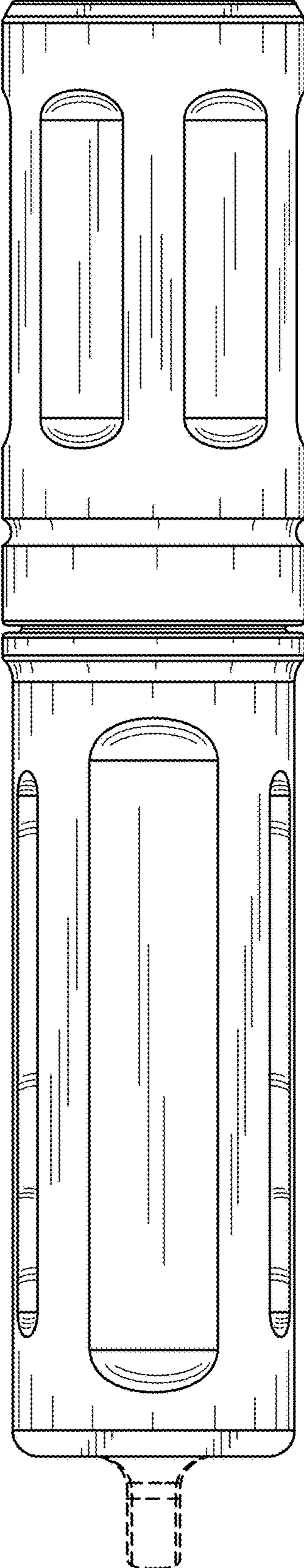


FIG. 4

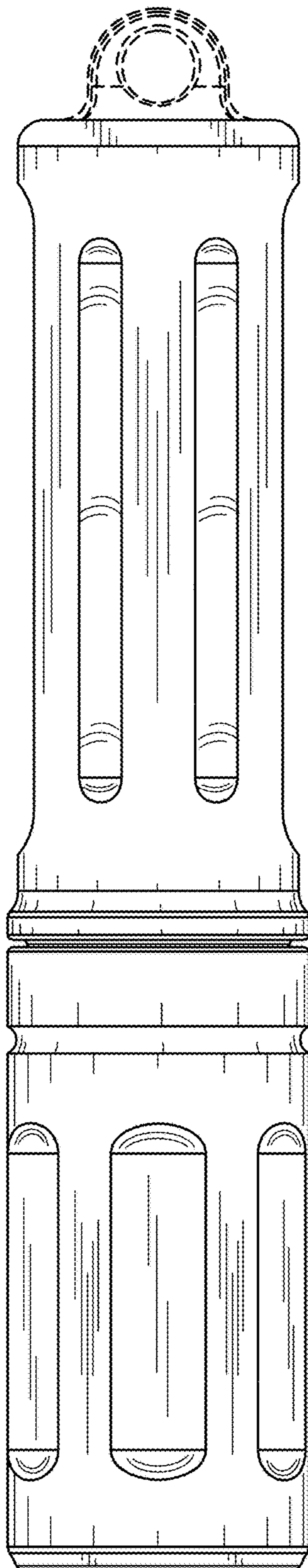


FIG. 5

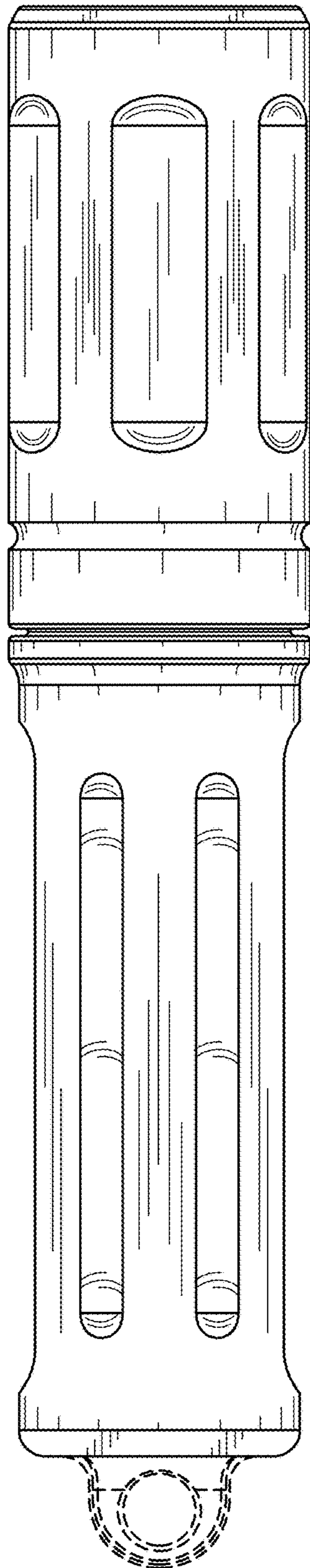


FIG. 6

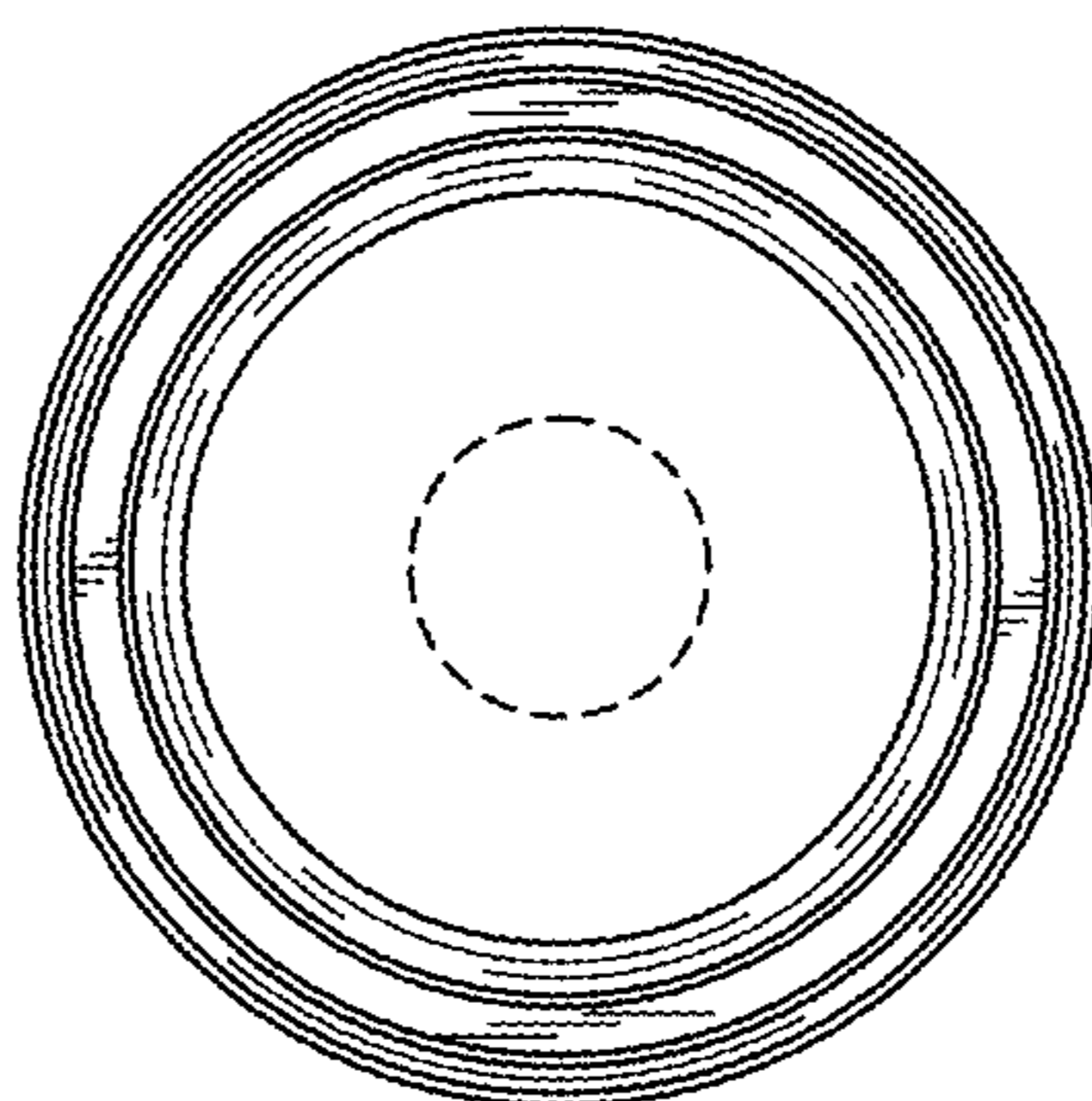


FIG. 7

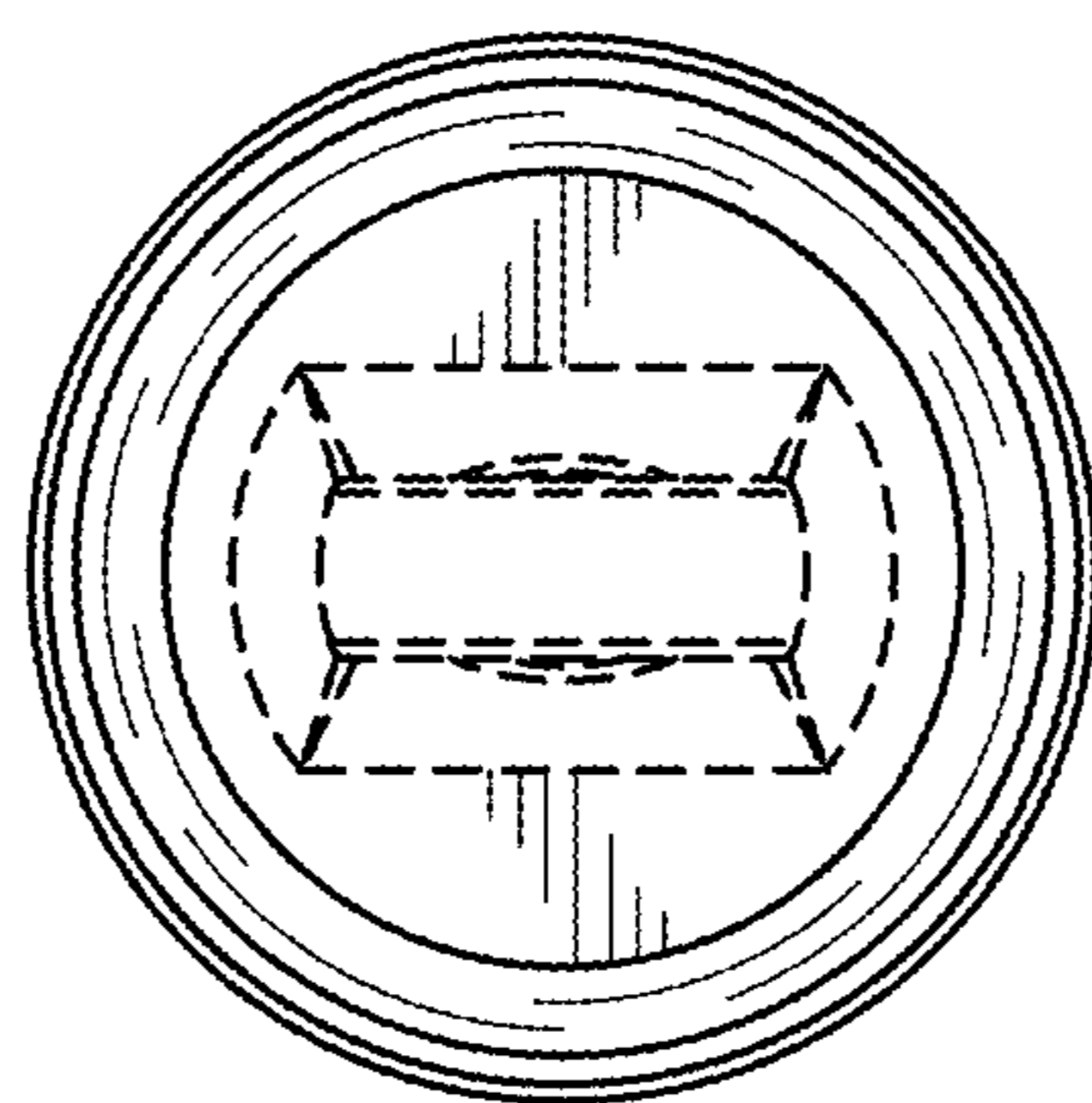


FIG. 8