



US00D780355S

(12) **United States Design Patent**
Lo et al.

(10) **Patent No.:** **US D780,355 S**
(45) **Date of Patent:** **** Feb. 28, 2017**

(54) **DIVER'S LIGHT**

(71) Applicant: **Light & Motion Industries**, Monterey, CA (US)

(72) Inventors: **Roxanne Lo**, Santa Cruz, CA (US);
Christopher McCaslin, Alameda, CA (US); **Jarod Armer**, Aromas, CA (US);
Beau Robertson, Santa Cruz, CA (US)

(73) Assignee: **Light & Motion Industries**, Marina, CA (US)

(**) Term: **14 Years**

(21) Appl. No.: **29/472,191**

(22) Filed: **Nov. 8, 2013**

(51) **LOC (10) Cl.** **26-02**

(52) **U.S. Cl.**
USPC **D26/49**

(58) **Field of Classification Search**
USPC D26/37, 46, 49, 38; 362/157, 158, 183,
362/184, 194-196, 202-208
CPC F21V 33/00; F21V 14/025; F21V 21/406;
F21Y 2101/02; F21L 2003/00; F21L
2005/00; F21L 2/00; F21L 4/00; F21L
4/005; F21L 17/00; F21L 13/08
See application file for complete search history.

(56) **References Cited**

U.S. PATENT DOCUMENTS

D448,878 S * 10/2001 Dalton et al. D26/49
D467,376 S * 12/2002 Yamamoto et al. D26/49

D482,151 S * 11/2003 Shiu D26/49
D491,304 S * 6/2004 Krieger et al. D26/46
D494,691 S * 8/2004 Lee D26/37
D498,318 S * 11/2004 Yuen D26/38
D501,267 S * 1/2005 Kung D26/37
D506,848 S * 6/2005 Kung D26/49
D517,710 S * 3/2006 Krieger et al. D26/37
D530,031 S * 10/2006 Kung D26/37
D538,623 S * 3/2007 Lin et al. D8/105
D544,974 S * 6/2007 Lee D26/37
D549,861 S * 8/2007 Lin D26/37
D617,023 S * 6/2010 Rugendyke et al. D26/46

* cited by examiner

Primary Examiner — Ian Simmons

Assistant Examiner — Carissa C Fitts

(74) *Attorney, Agent, or Firm* — Thomas M. Freiburger

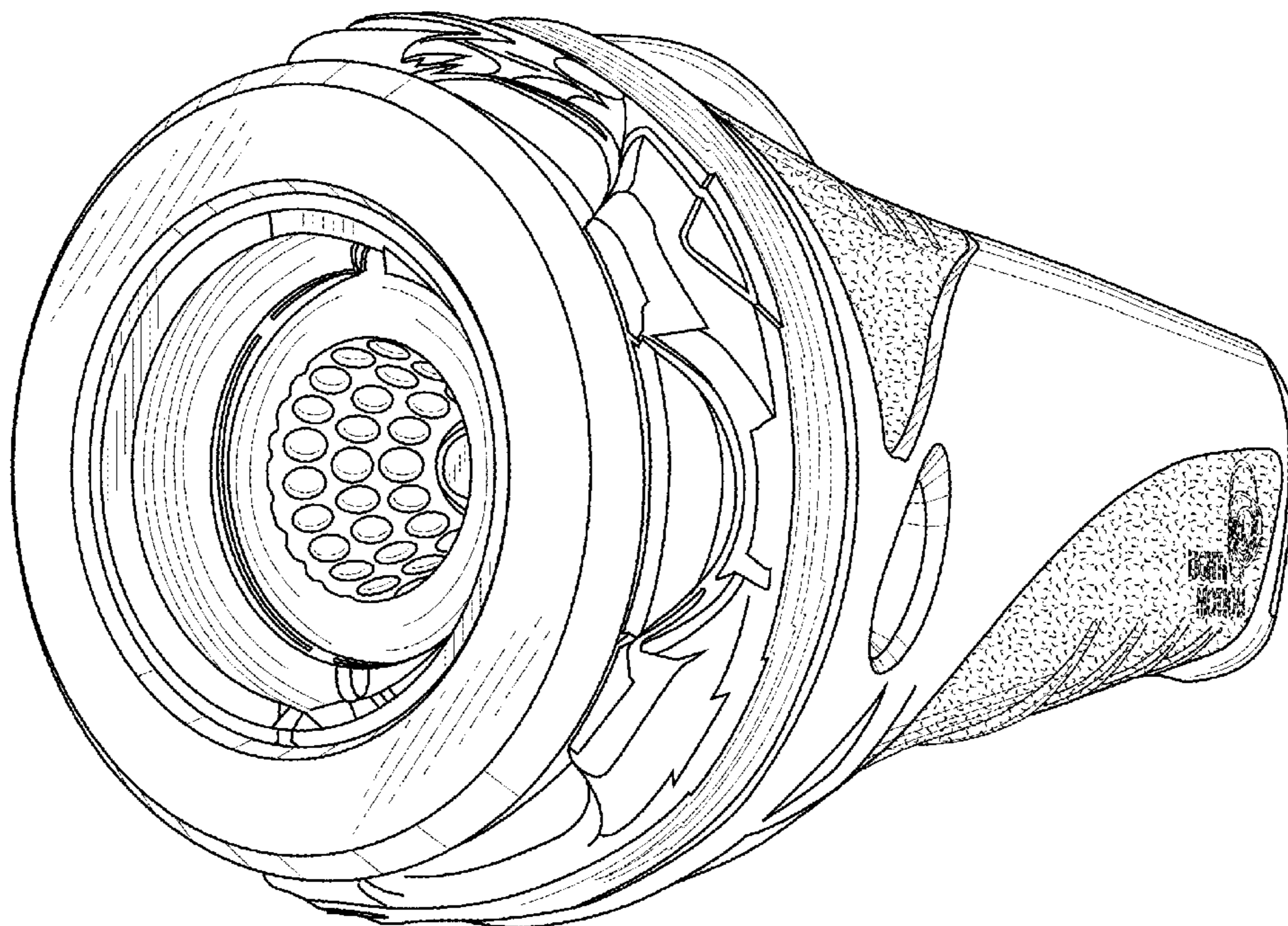
(57) **CLAIM**

The ornamental design for a diver's light, substantially as shown and described.

DESCRIPTION

FIG. 1 is a frontal perspective view of a diver's light, according to our new design;
FIG. 2 is a front view thereof;
FIG. 3 is a bottom view thereof;
FIG. 4 is a rear perspective view thereof;
FIG. 5 is a rear view thereof;
FIG. 6 is a right side view thereof;
FIG. 7 is a left side view thereof; and,
FIG. 8 is a top view thereof.
The stipple shading and the straight line shading illustrate a contrasting appearance.

1 Claim, 8 Drawing Sheets



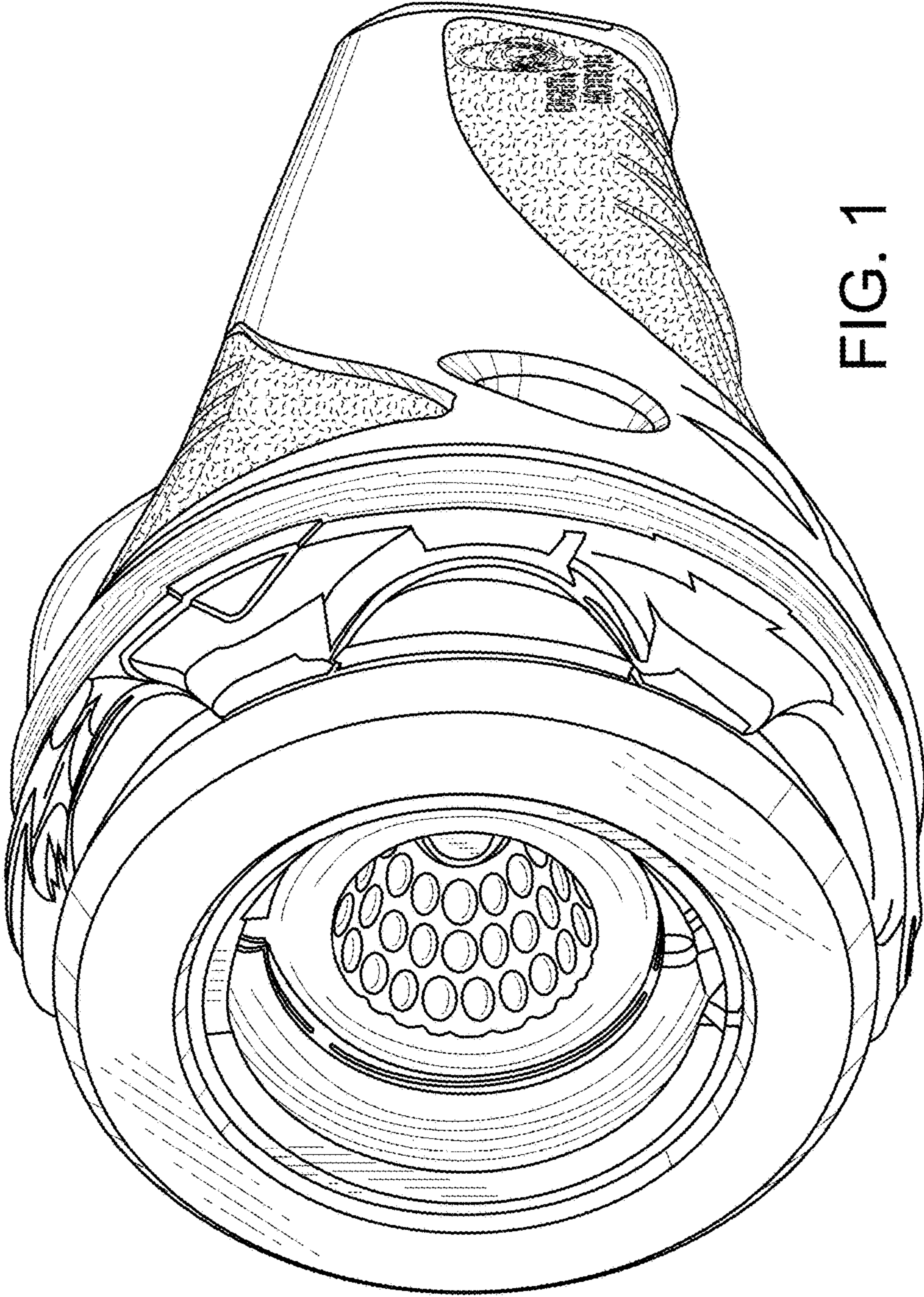


FIG. 1

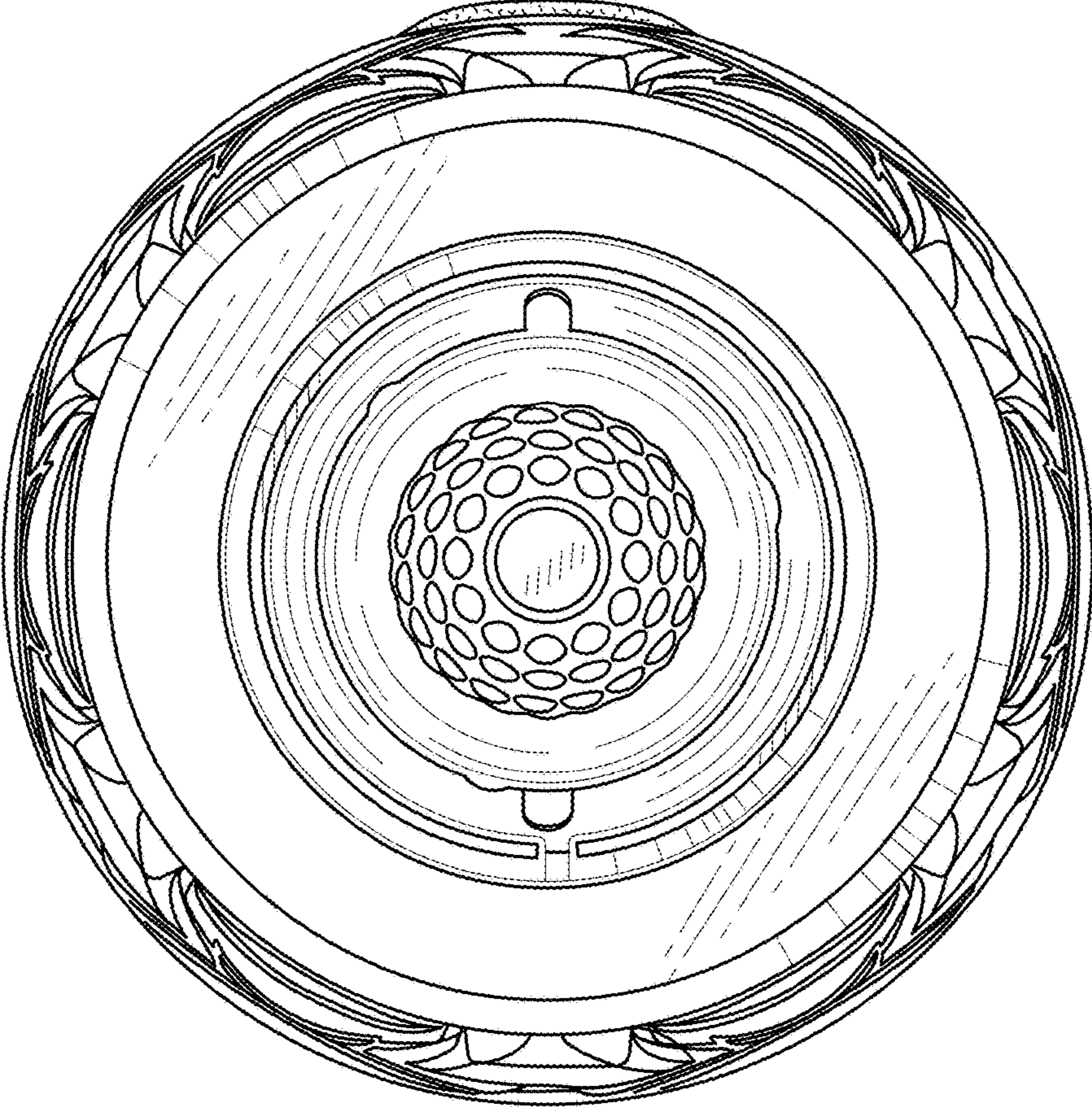


FIG. 2

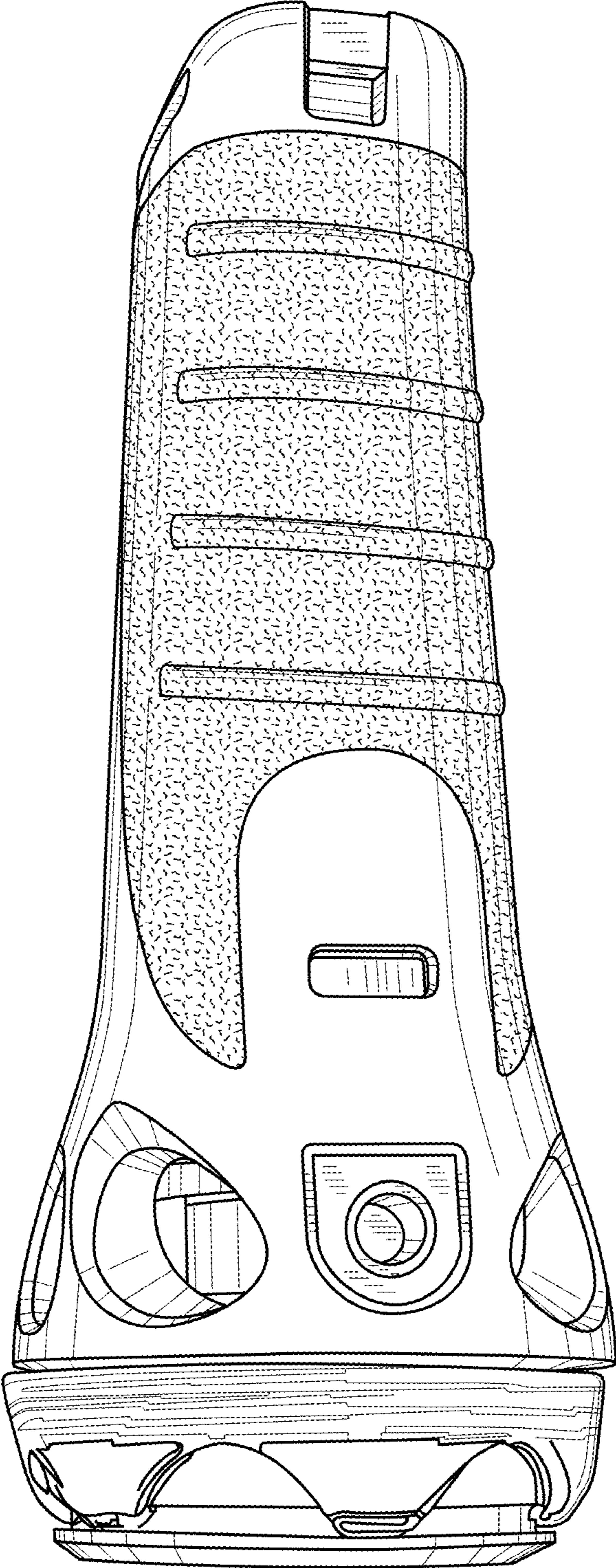


FIG. 3

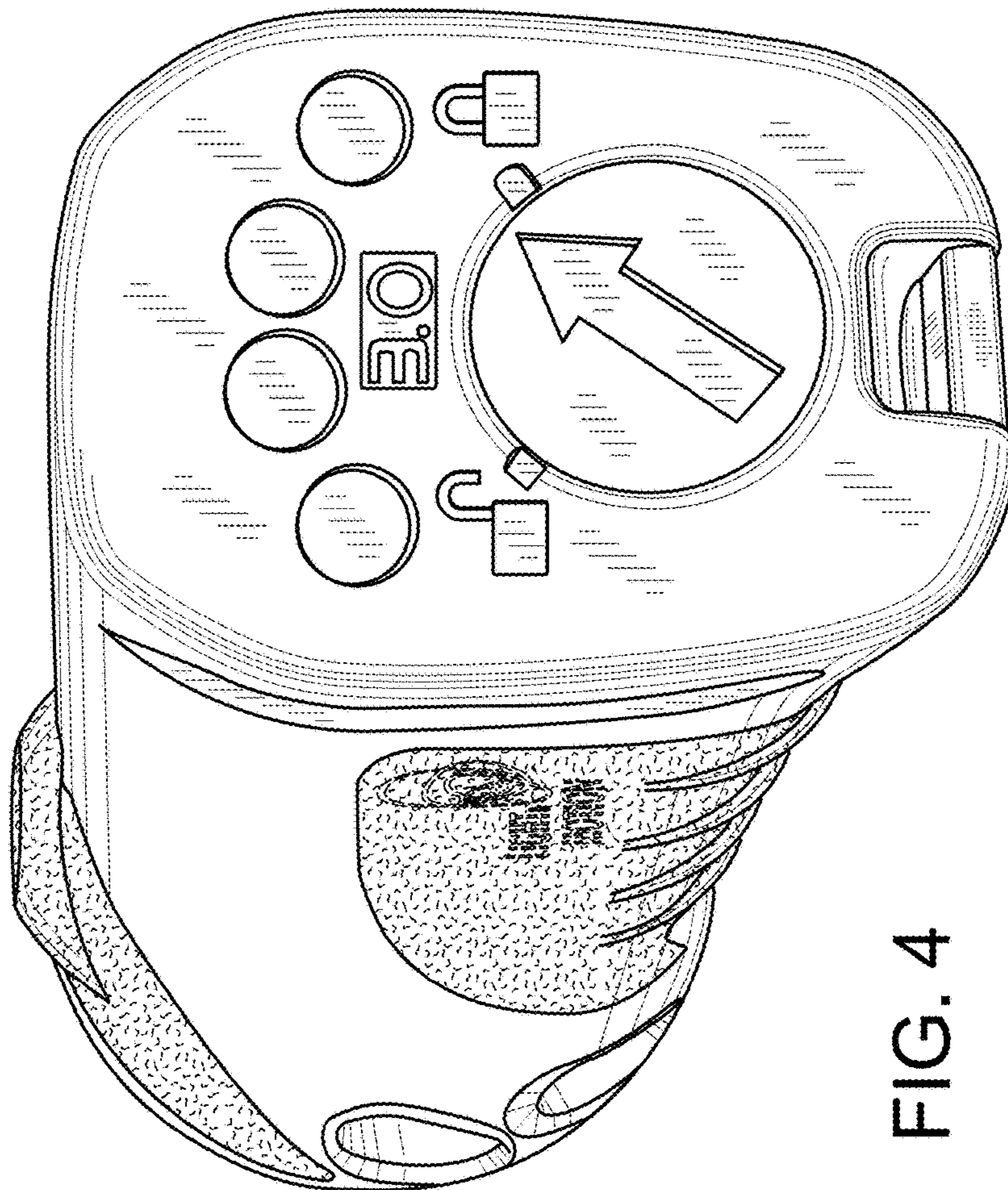


FIG. 4

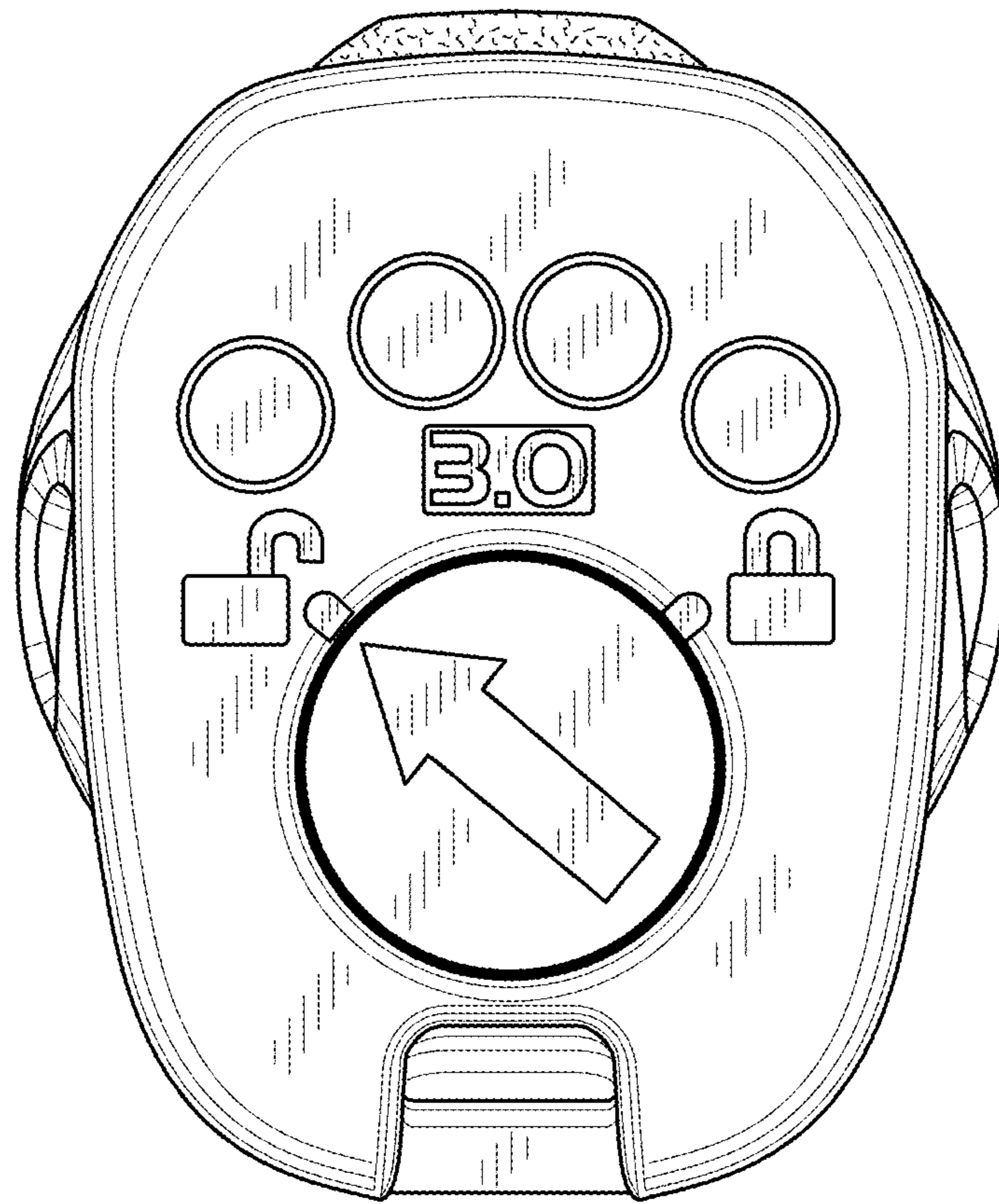


FIG. 5

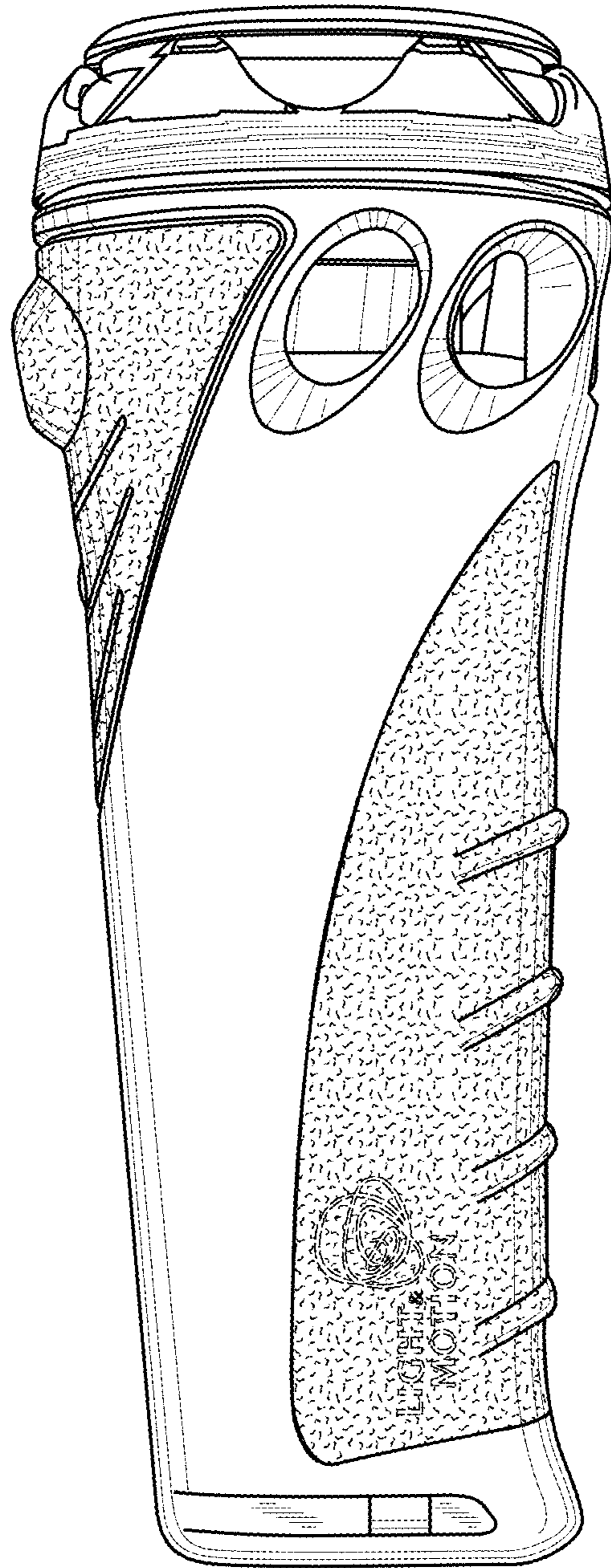


FIG. 6

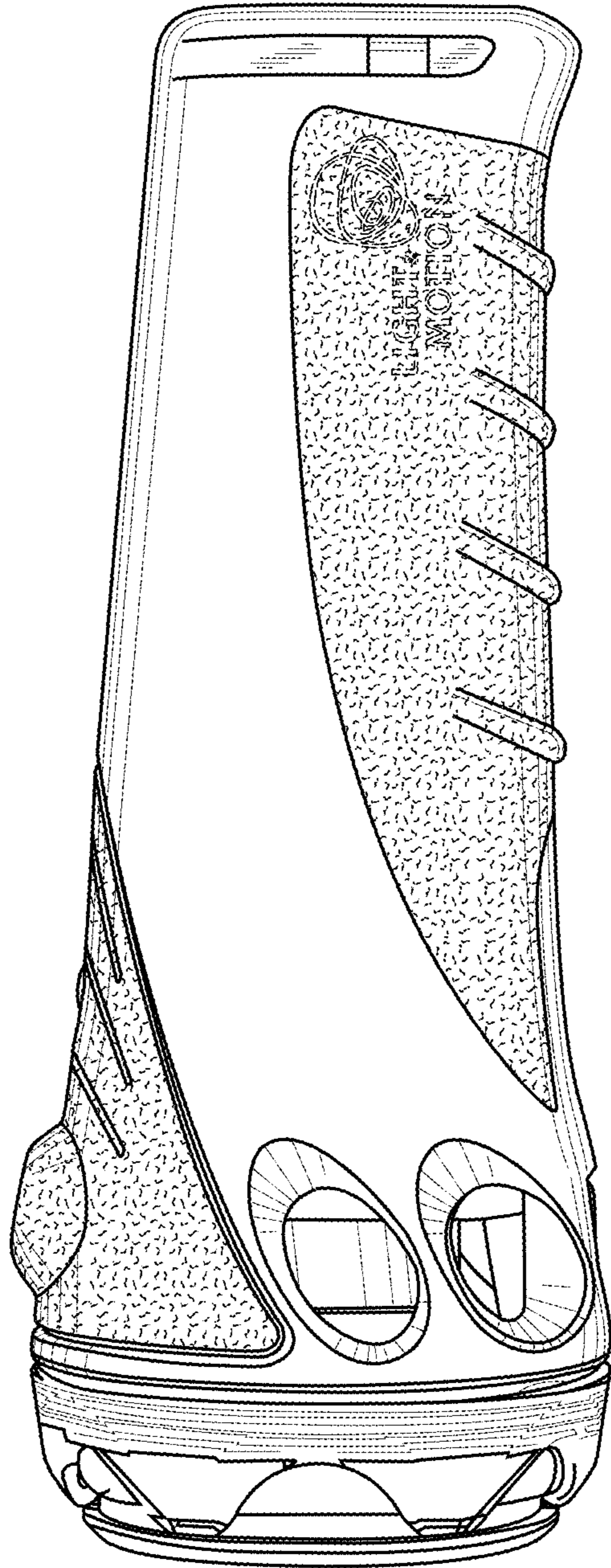


FIG. 7

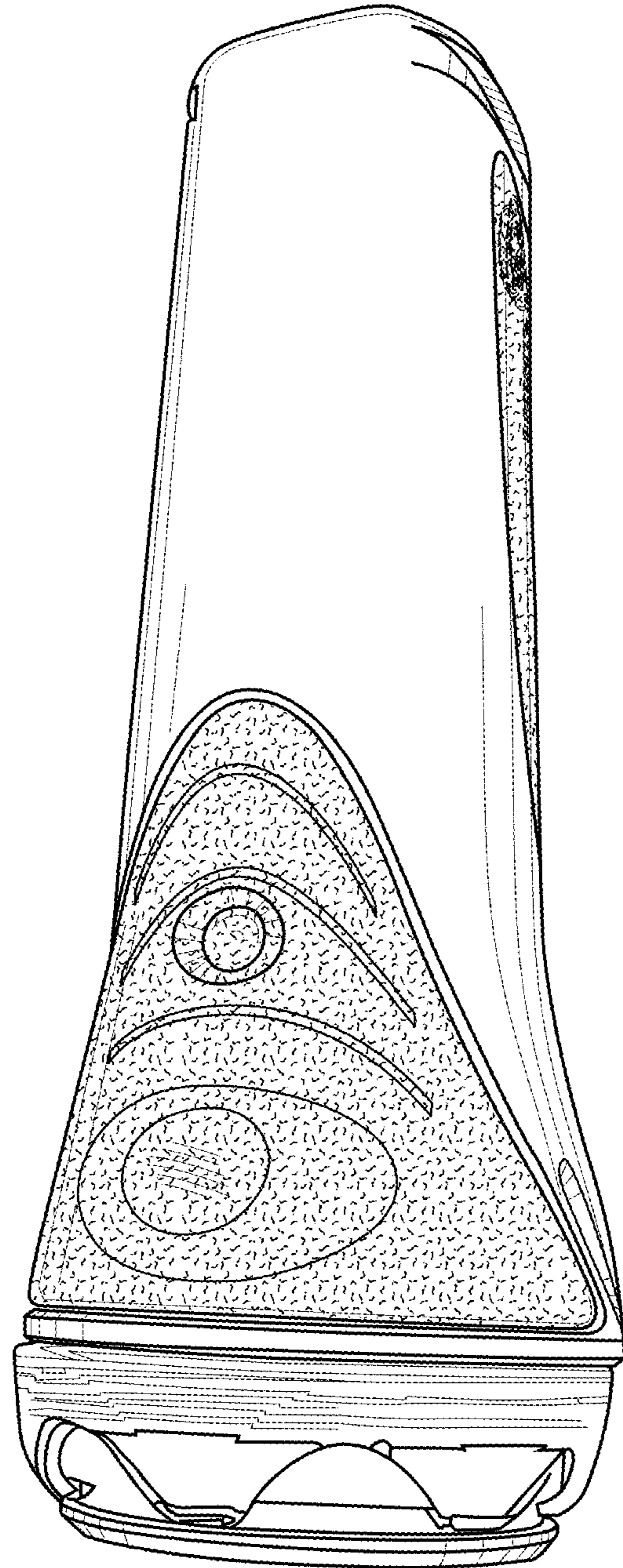


FIG. 8