



US00D780350S

(12) **United States Design Patent** (10) **Patent No.:** **US D780,350 S**
Dennis et al. (45) **Date of Patent:** **** Feb. 28, 2017**

(54) **VEHICLE DRIVING LIGHT**
(71) Applicant: **Lightforce Australia Pty Ltd.,**
Hindmarsh (AU)
(72) Inventors: **Raymond L. Dennis, Hindmarsh (AU);**
Robert T. Dall, Athelstone (AU)
(73) Assignee: **Lightforce Australia Pty Ltd.,**
Hindmarsh (AU)
(**) Term: **15 Years**
(21) Appl. No.: **29/539,797**

D657,081 S 4/2012 Alisaukas et al.
8,277,092 B2 10/2012 Dunn
D670,839 S 11/2012 Smarslik
D675,758 S 2/2013 Adams
D676,162 S 2/2013 Adams
D676,990 S 2/2013 Adams
D680,893 S 4/2013 Adams
D688,399 S 8/2013 Adams
D694,920 S 12/2013 Jurgens et al.
D704,363 S 5/2014 Adams
D704,364 S 5/2014 Adams
D704,365 S 5/2014 Adams
D708,778 S 7/2014 Sibitzky et al.
D712,077 S 8/2014 Leban et al.
D718,478 S 11/2014 Adams
D722,713 S 2/2015 Burns

(Continued)

(22) Filed: **Sep. 17, 2015**
(51) **LOC (10) Cl.** **26-06**
(52) **U.S. Cl.**
USPC **D26/28**
(58) **Field of Classification Search**
USPC D26/28-36; 362/61, 80-83, 267-269,
362/459-468, 475-478, 485-487
CPC F21S 48/00; F21S 48/10; F21S 48/115;
F21S 48/225; F21S 48/1233; F21S
48/1266; F21S 48/1388; F21S 48/2268;
F21V 21/04; B60Q 1/02; B60Q 1/04
See application file for complete search history.

Primary Examiner — Marcus Jackson
(74) *Attorney, Agent, or Firm* — Wood Herron & Evans
LLP

(57) **CLAIM**

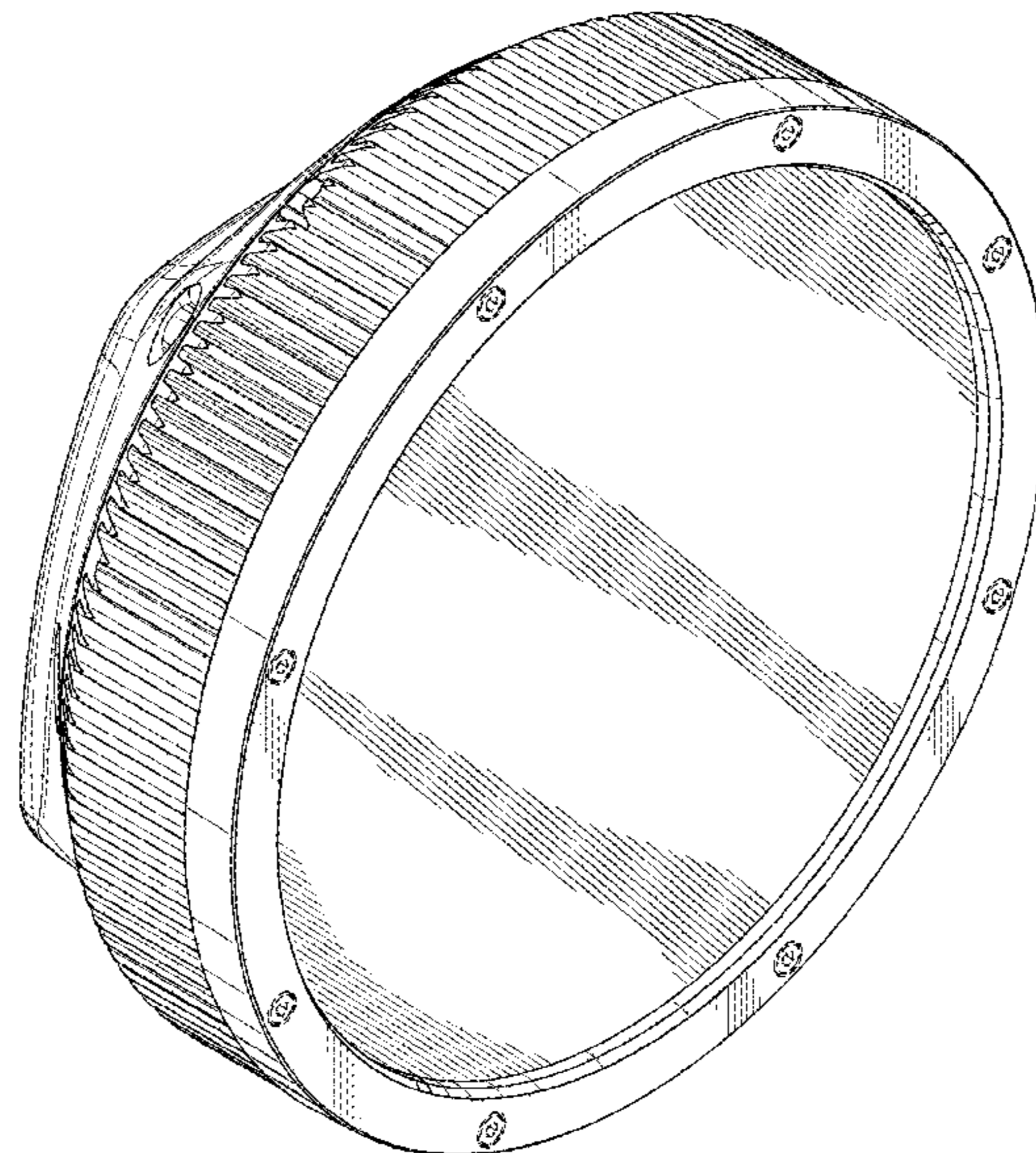
The ornamental design for a vehicle driving light, as shown
and described.

DESCRIPTION

FIG. 1 is a front isometric view of a first embodiment of the
vehicle driving light;
FIG. 2 is a rear isometric view thereof;
FIG. 3 is a front elevational view thereof;
FIG. 4 is a left side elevational view thereof;
FIG. 5 is a right side elevational view thereof;
FIG. 6 is a rear elevational view thereof;
FIG. 7 is a top plan view thereof; and,
FIG. 8 is a bottom plan view thereof.
The portions of the vehicle driving light depicted in broken
dash lines represent the bounds of the claim and form no part
of the claimed design.

(56) **References Cited**
U.S. PATENT DOCUMENTS
D547,889 S * 7/2007 Huang D26/28
D570,012 S * 5/2008 Huang D26/28
D578,677 S * 10/2008 Huang D26/28
D578,678 S * 10/2008 Huang D26/28
D585,575 S 1/2009 Crispin et al.
D601,727 S 10/2009 Huang
D605,789 S 12/2009 Ko
7,651,245 B2 1/2010 Thomas et al.
D626,670 S 11/2010 Metzger et al.
7,988,346 B2 8/2011 Helms et al.

1 Claim, 7 Drawing Sheets



(56)

References Cited

U.S. PATENT DOCUMENTS

D739,072	S	9/2015	Adams et al.
2009/0296412	A1	12/2009	Ogawa et al.
2012/0057351	A1	3/2012	Wilcox et al.
2013/0265755	A1	10/2013	Adams

* cited by examiner

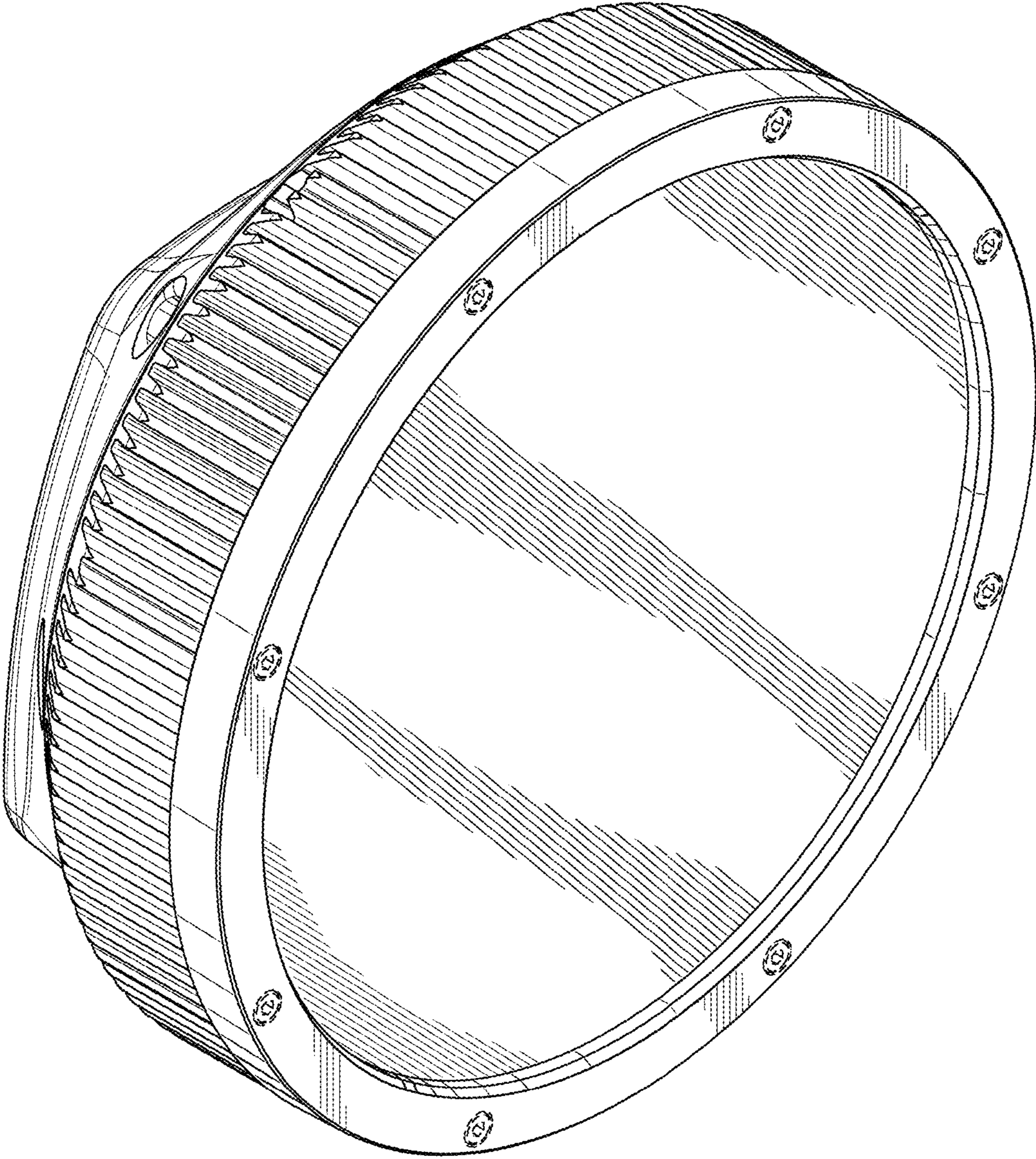


FIG. 1

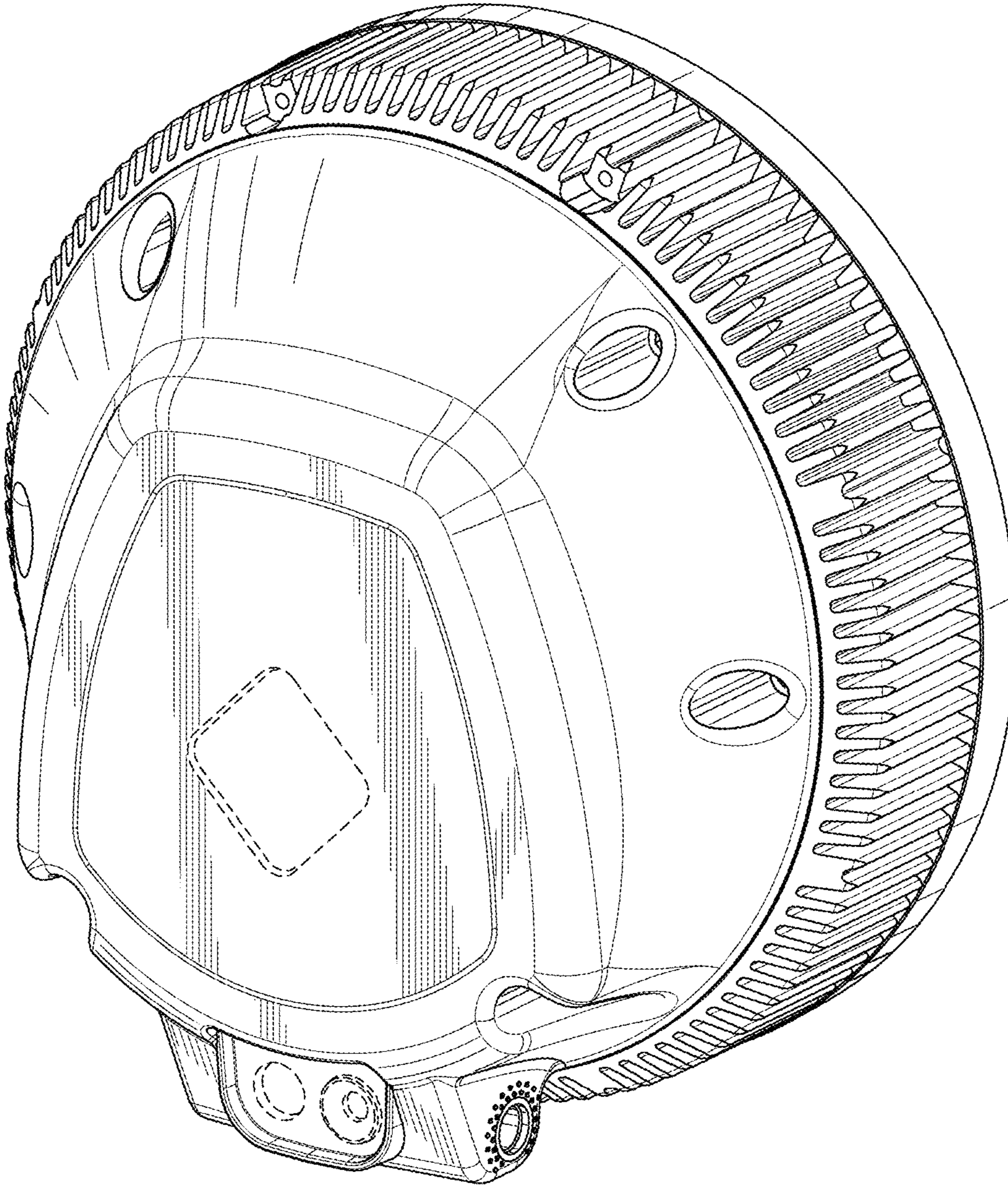


FIG. 2

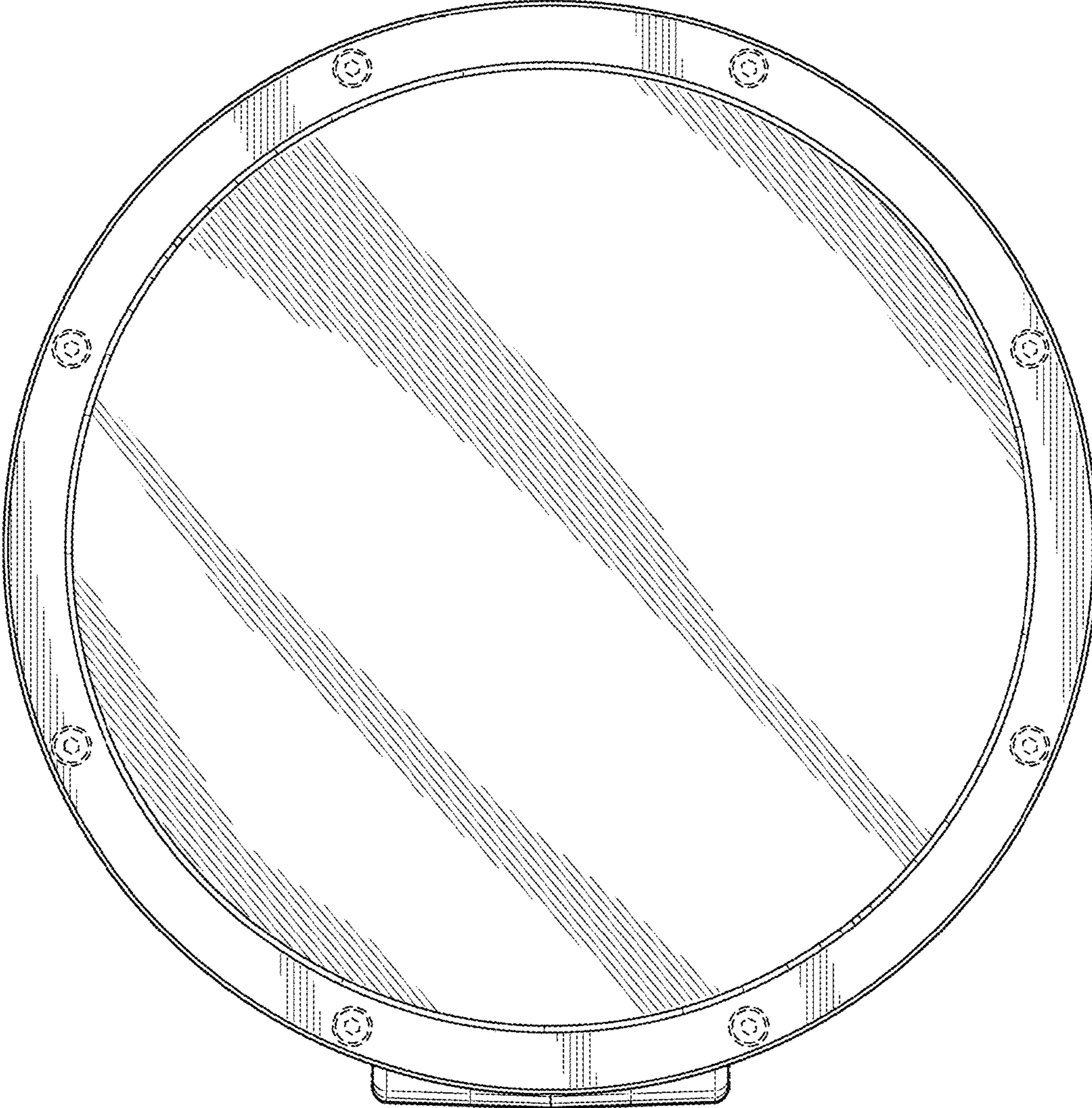


FIG. 3

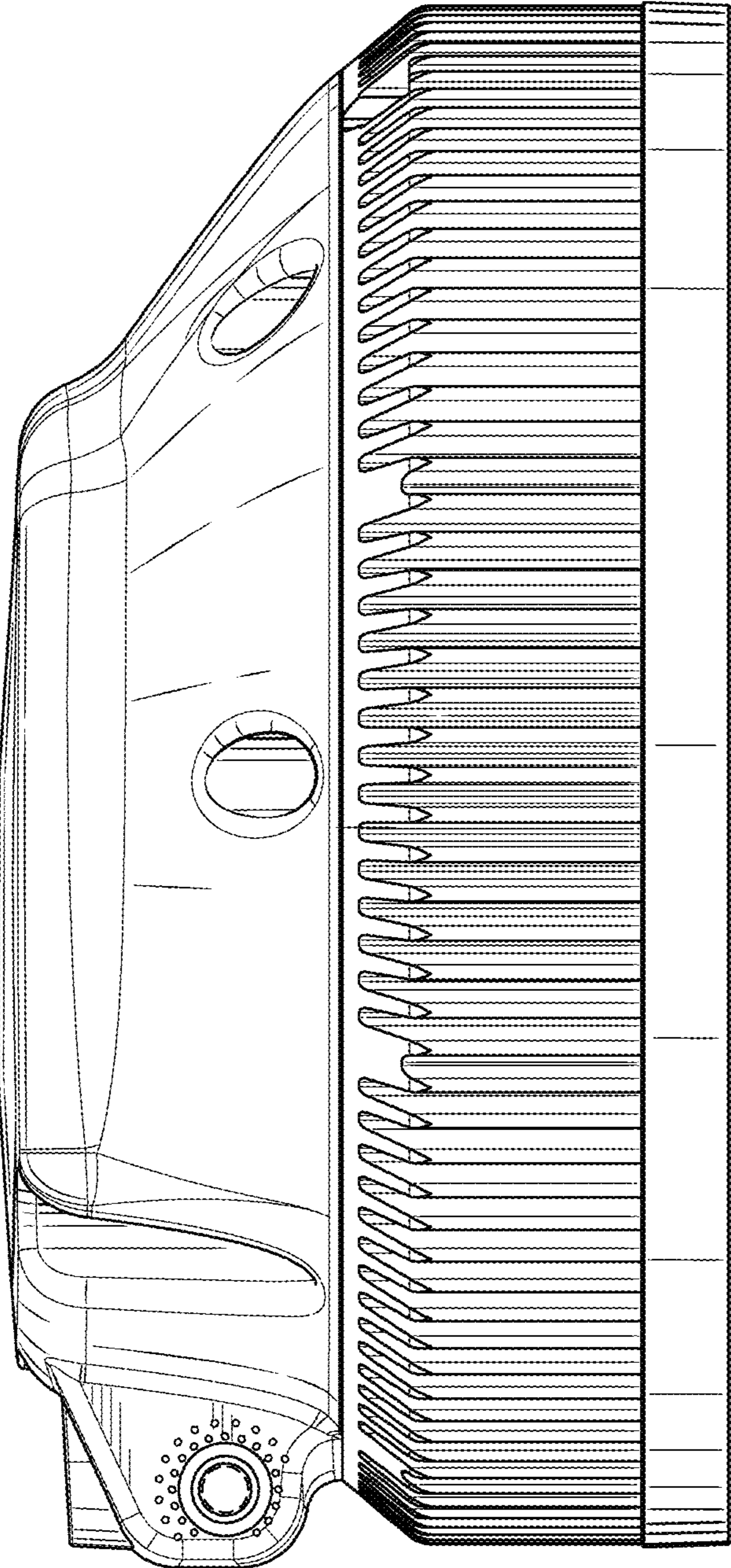


FIG. 4

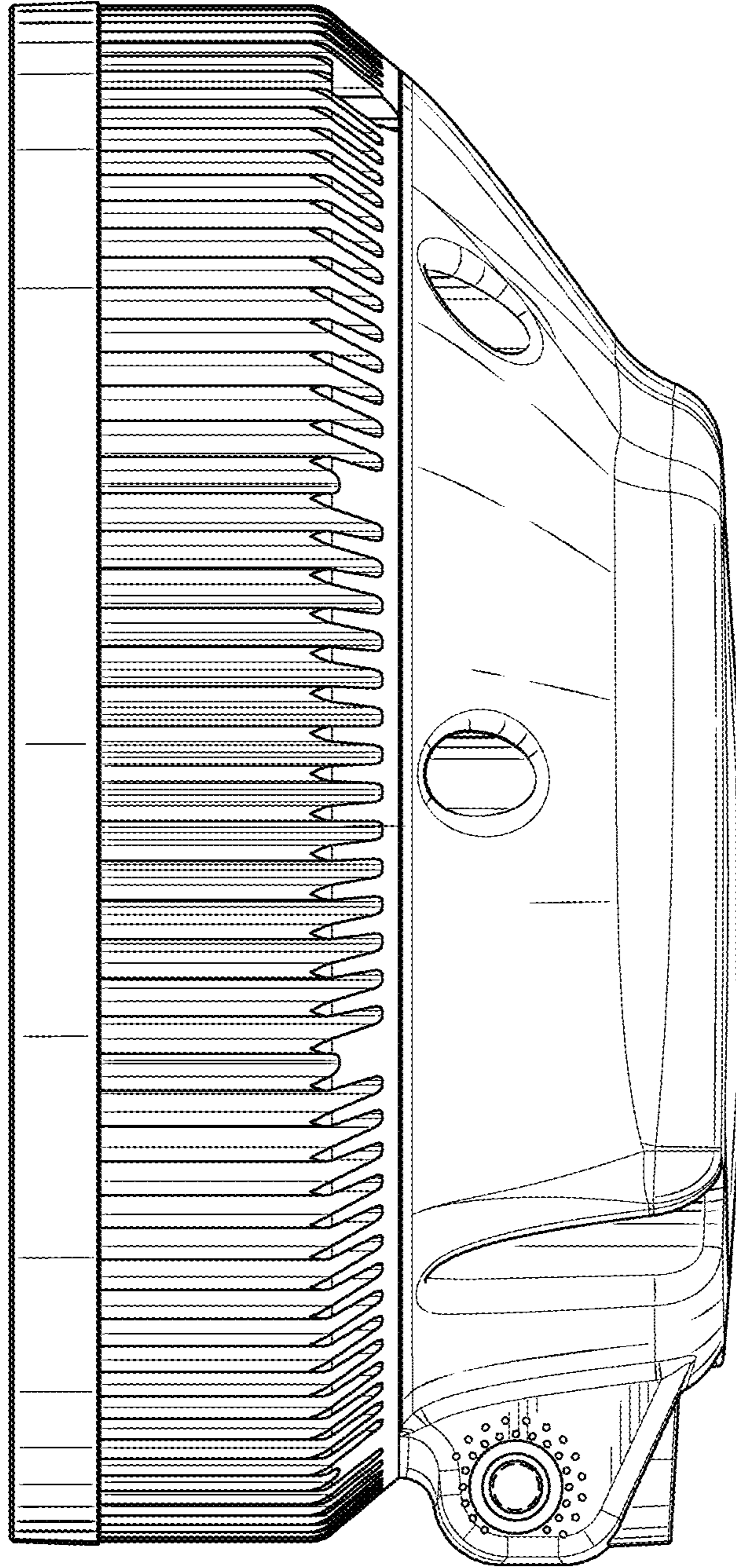


FIG. 5

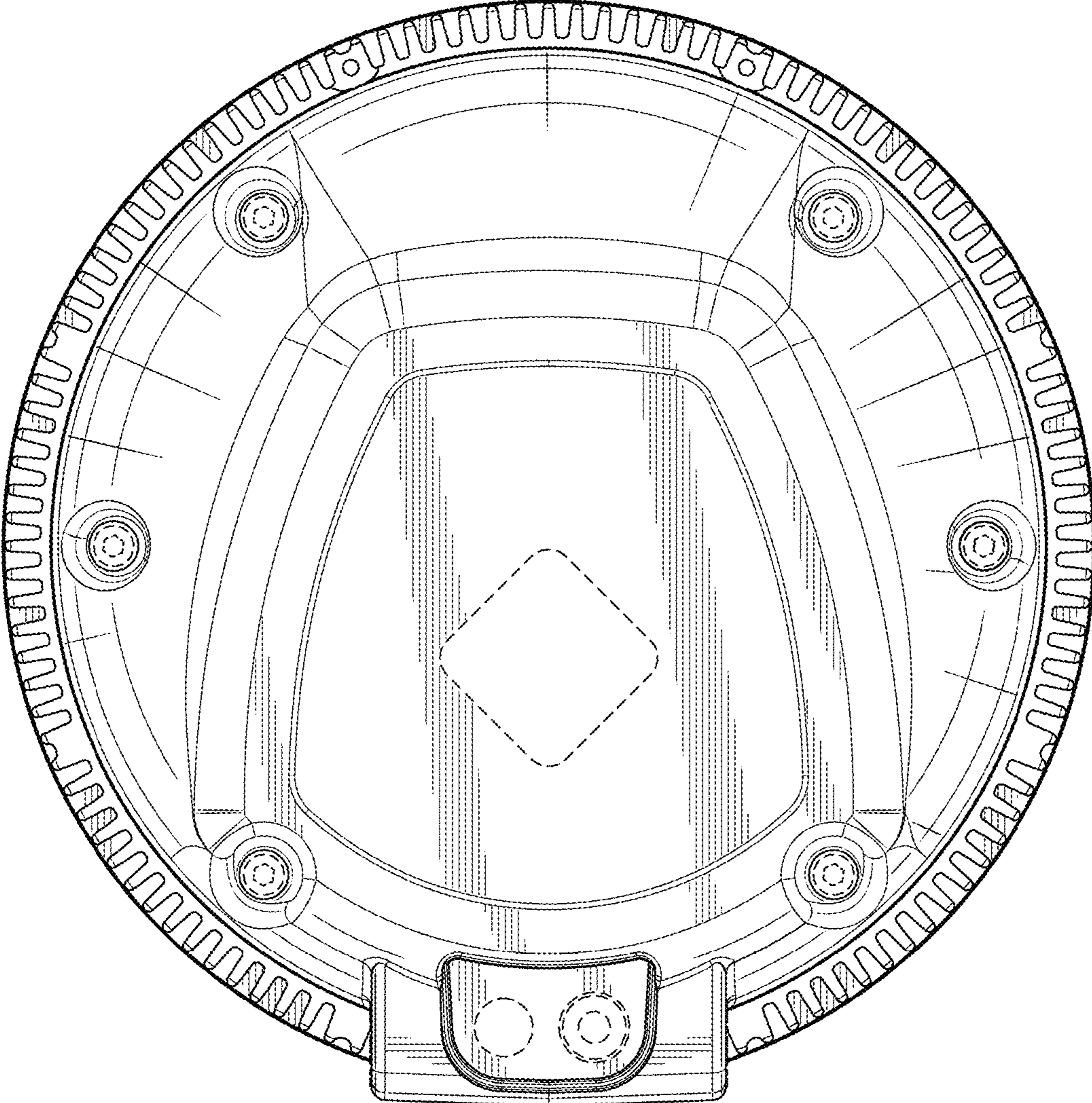


FIG. 6

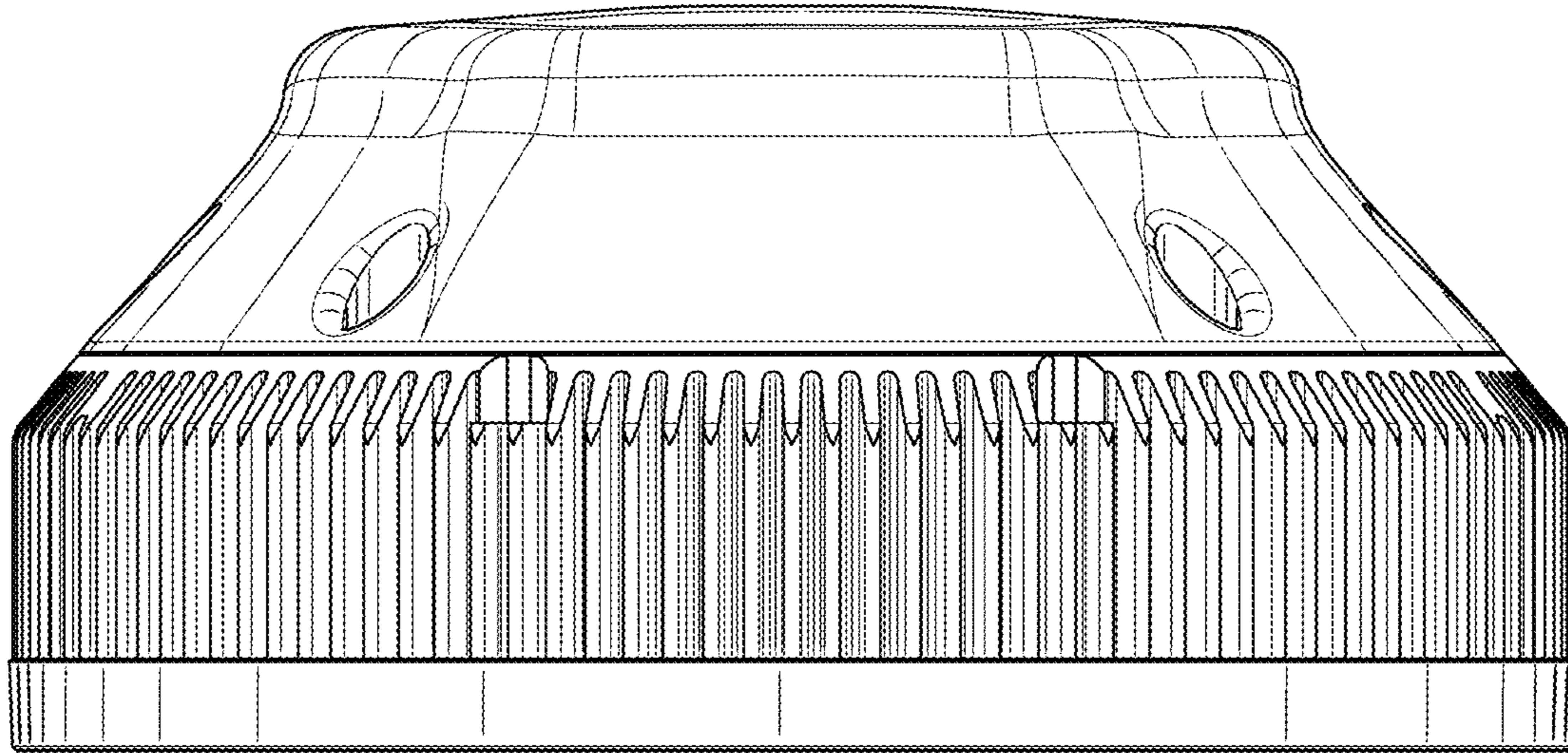


FIG. 7

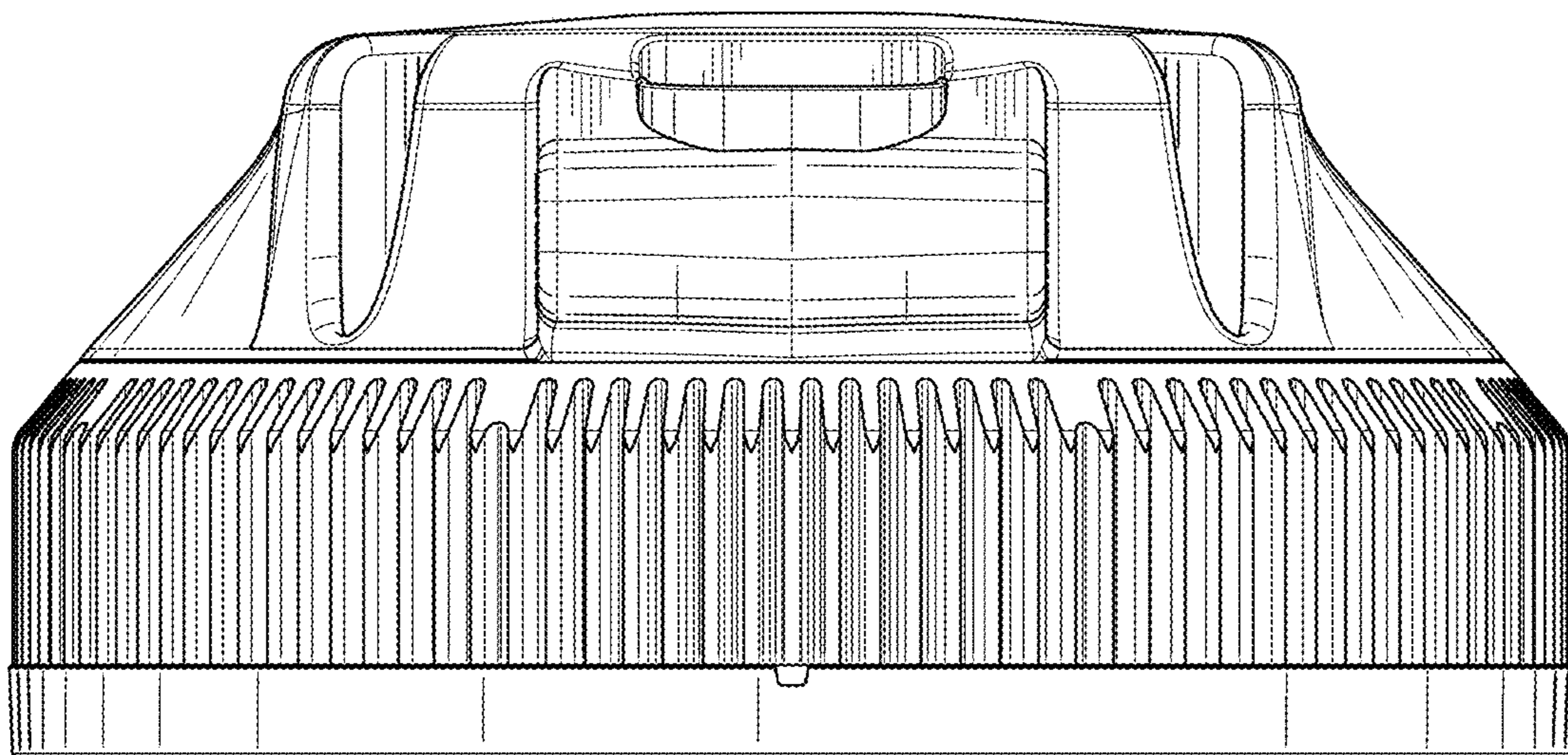


FIG. 8