



US00D780349S

(12) **United States Design Patent**  
**Cutrone et al.**

(10) **Patent No.:** **US D780,349 S**

(45) **Date of Patent:** **\*\* Feb. 28, 2017**

(54) **HEADLIGHT FOR A BOAT**

(56) **References Cited**

(71) Applicants: **Joseph R. Cutrone**, Hollywood, FL  
(US); **Frank J. Cutrone**, Hollywood,  
FL (US)

U.S. PATENT DOCUMENTS

D584,840 S *	1/2009	Okuda	.....	D26/28
D588,722 S *	3/2009	Cheng	.....	D26/28
D605,790 S *	12/2009	Hsing-Tsun	.....	D26/28
D609,378 S *	2/2010	Lee	.....	D26/60

(72) Inventors: **Joseph R. Cutrone**, Hollywood, FL  
(US); **Frank J. Cutrone**, Hollywood,  
FL (US)

\* cited by examiner

(\*\*) Term: **14 Years**

*Primary Examiner* — Marcus Jackson

(74) *Attorney, Agent, or Firm* — Christopher & Weisberg,  
P.A.

(21) Appl. No.: **29/520,217**

(57) **CLAIM**

The ornamental design for a headlight for a boat, as shown.

(22) Filed: **Mar. 12, 2015**

**DESCRIPTION**

(51) **LOC (10) Cl.** ..... **26-06**

FIG. 1 is front perspective view of a headlight for a boat;  
FIG. 2 is a front view thereof;  
FIG. 3 is a rear view thereof;  
FIG. 4 is a left side view thereof;  
FIG. 5 is a right side view thereof;  
FIG. 6 is a bottom view thereof; and,  
FIG. 7 is a top view thereof.

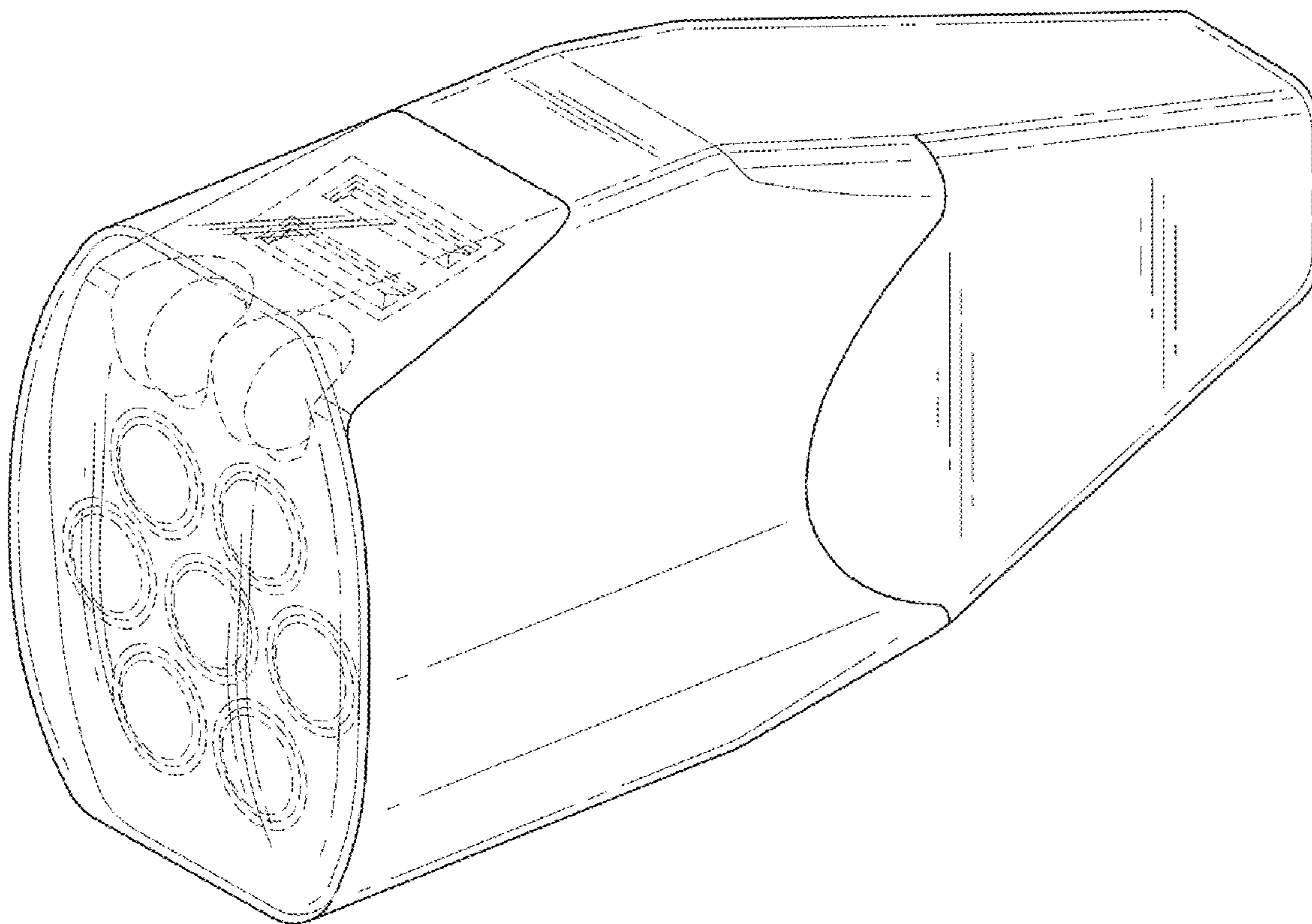
(52) **U.S. Cl.**  
USPC ..... **D26/28**

(58) **Field of Classification Search**  
USPC ..... D26/28-36; 362/459-468, 475-478,  
362/485-487  
CPC ..... F21S 48/00; F21S 48/10; F21S 48/115;  
F21S 48/225

In the drawings, the broken lines depict unclaimed environ-  
ment.

See application file for complete search history.

**1 Claim, 7 Drawing Sheets**



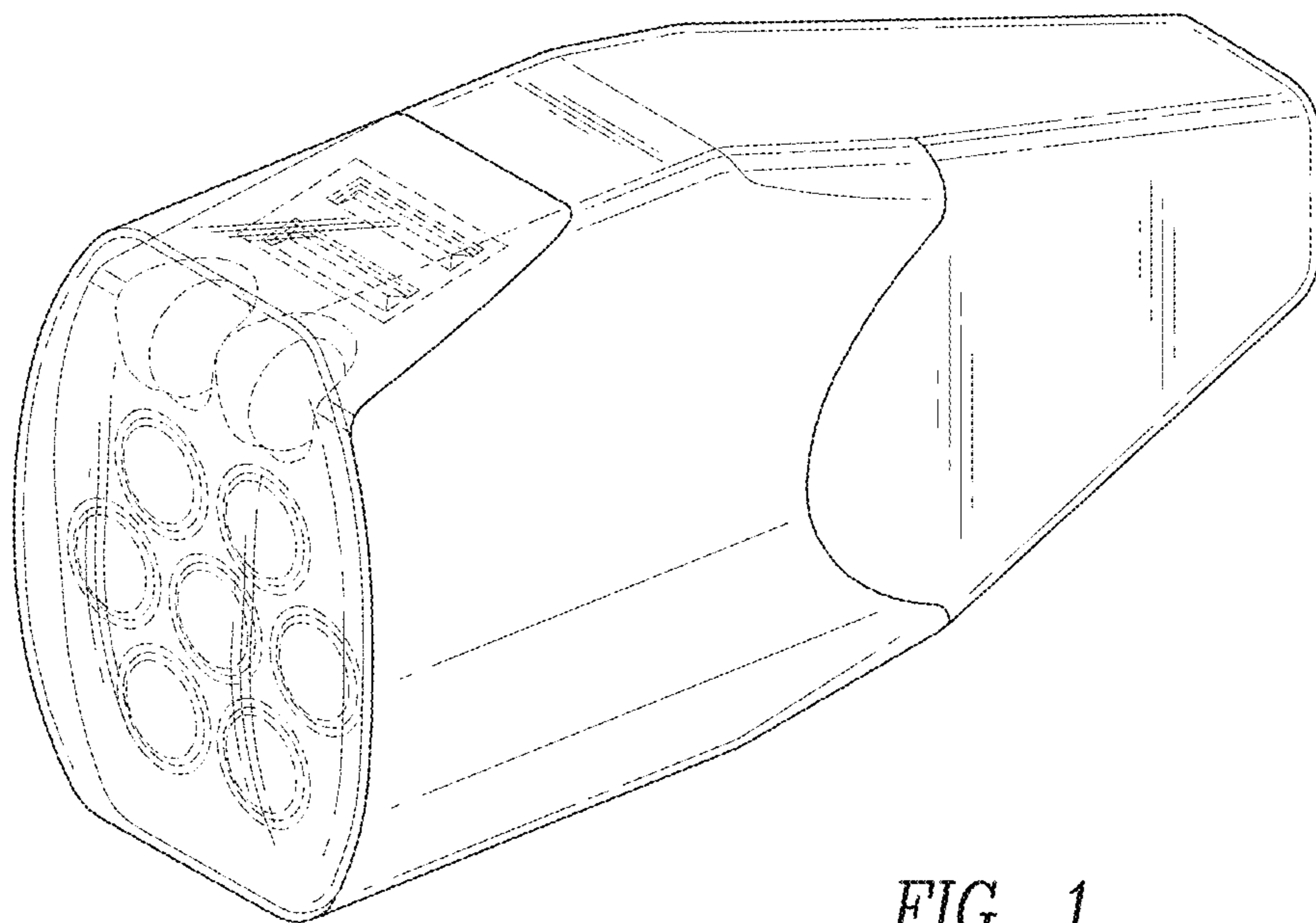


FIG. 1

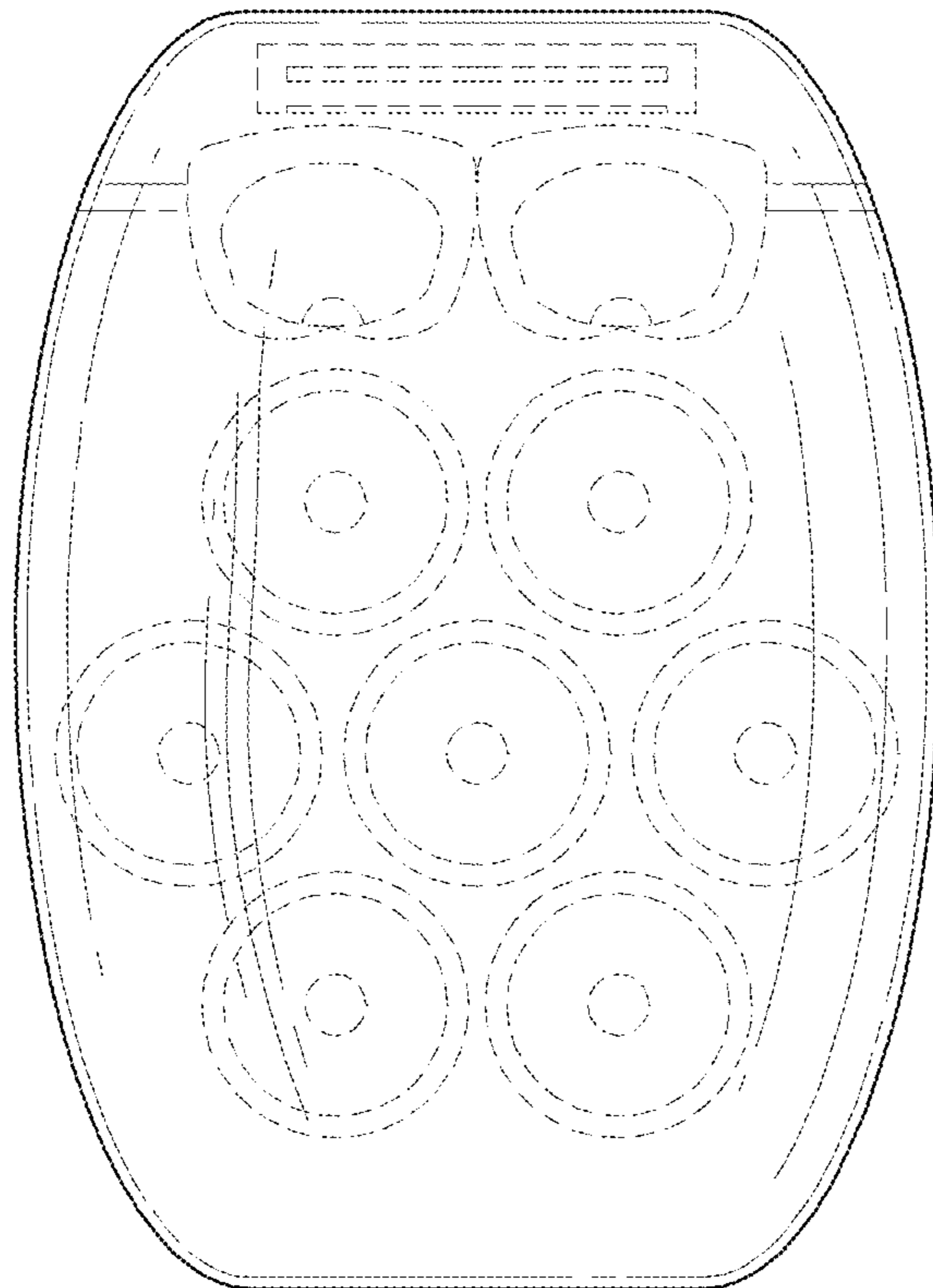
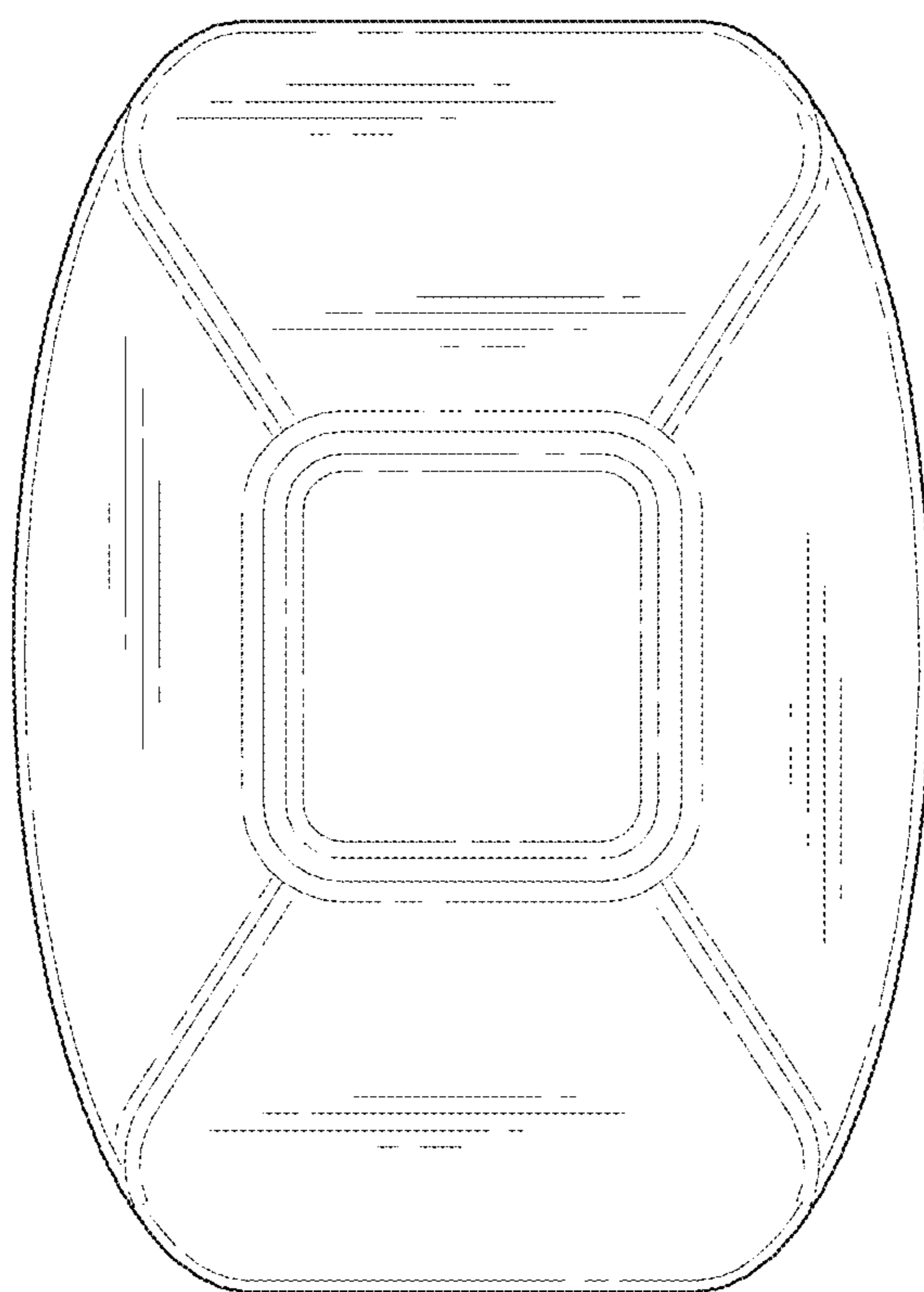


FIG. 2



*FIG. 3*

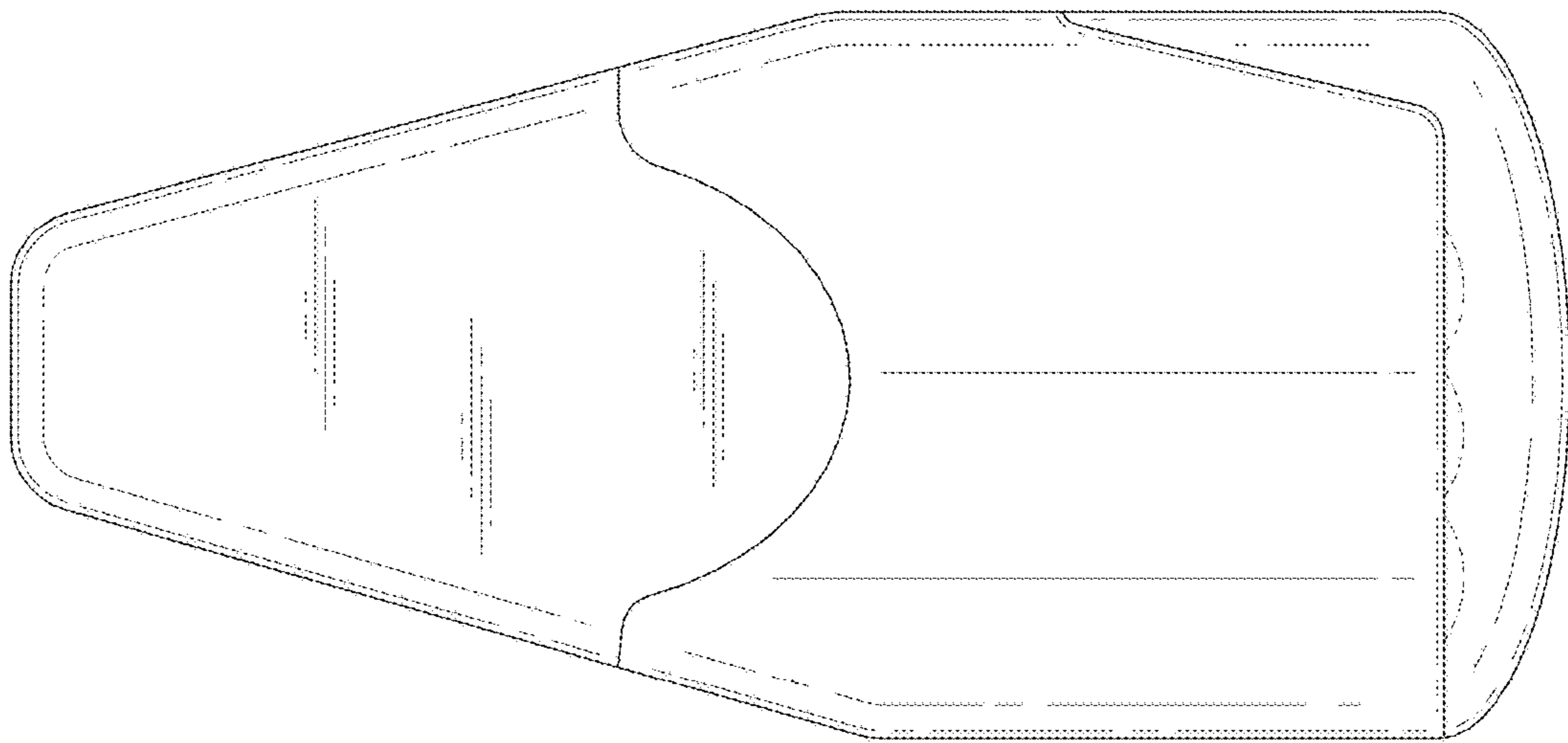


FIG. 4

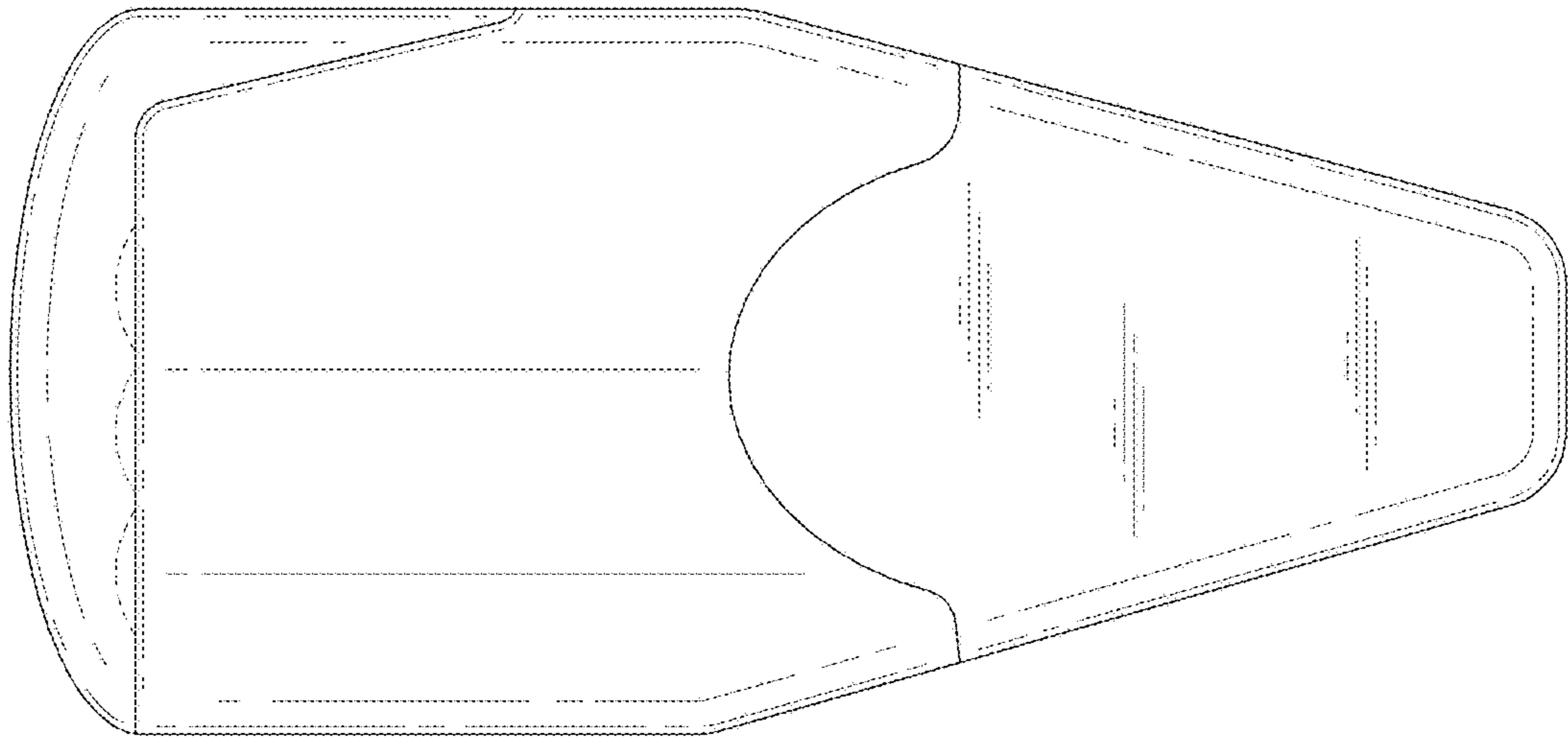
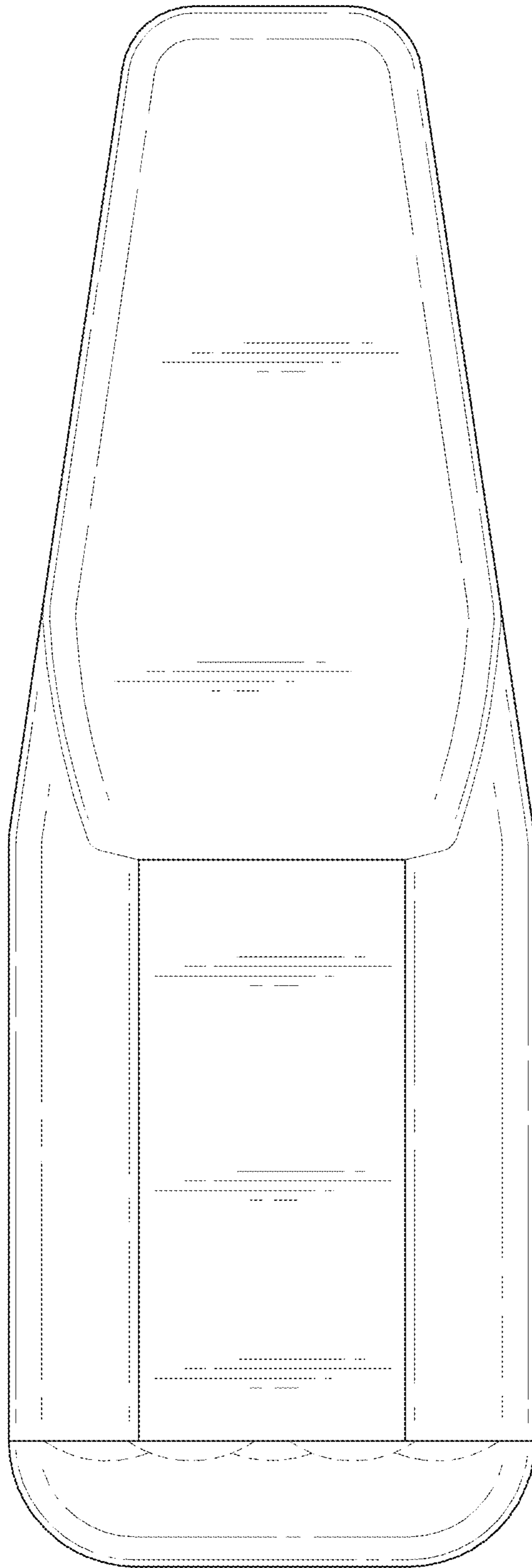


FIG. 5



*FIG. 6*

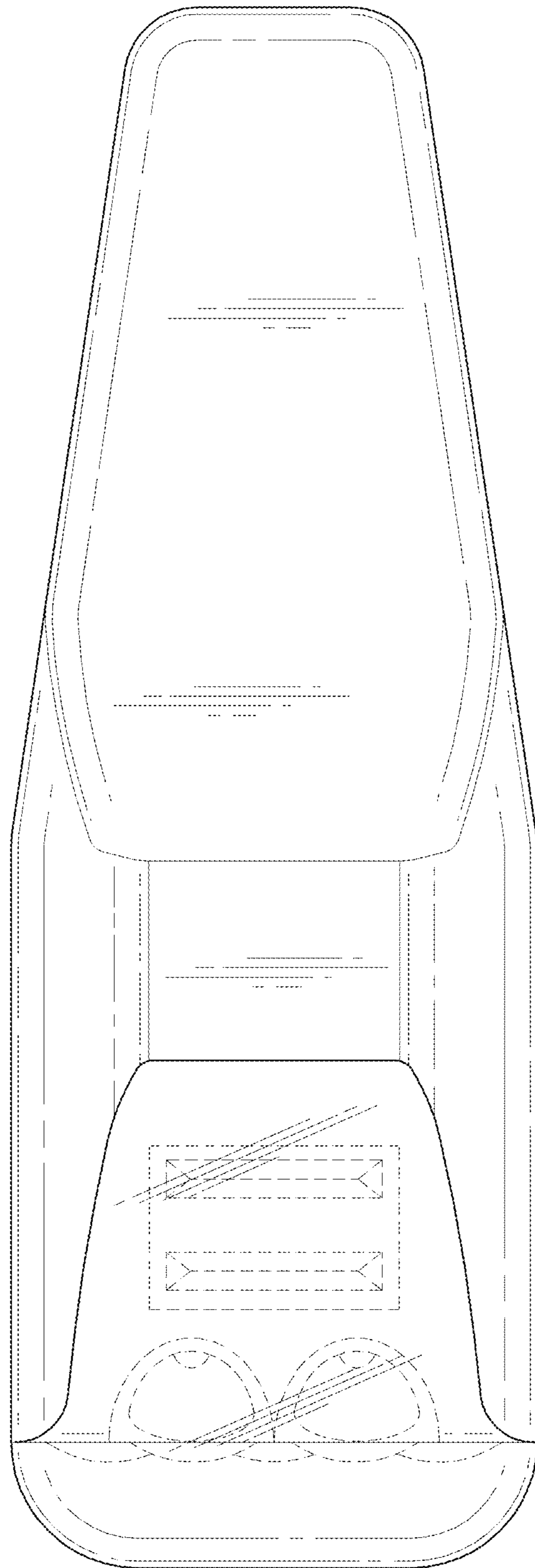


FIG. 7