



US00D780347S

(12) **United States Design Patent** (10) **Patent No.:** **US D780,347 S**
Shum et al. (45) **Date of Patent:** **** Feb. 28, 2017**

(54) **PORTION OF A LED LAMP**

(56) **References Cited**

(71) Applicant: **SORAA, INC.**, Fremont, CA (US)

U.S. PATENT DOCUMENTS

(72) Inventors: **Frank Shum**, Fremont, CA (US);
Ronald Randall Van Thiel, Fremont,
CA (US)

D532,532 S *	11/2006	Maxik	D26/2
D544,110 S *	6/2007	Hooker	D26/2
D566,300 S *	4/2008	Lo	D26/2
D581,555 S *	11/2008	To	D26/2
D584,838 S *	1/2009	To	D26/2
D610,722 S *	2/2010	Bi	D26/2
D677,806 S *	3/2013	Jiang	D26/2

(73) Assignee: **Soraa, Inc.**, Fremont, CA (US)

* cited by examiner

(**) Term: **15 Years**

Primary Examiner — Marcus Jackson

(21) Appl. No.: **29/538,204**

(74) *Attorney, Agent, or Firm* — Saul Ewing LLP

(22) Filed: **Sep. 1, 2015**

(57) **CLAIM**

The ornamental design for portion of an LED lamp, as shown and described.

Related U.S. Application Data

DESCRIPTION

(62) Division of application No. 29/475,766, filed on Dec. 6, 2013, now Pat. No. Des. 739,570.

(51) **LOC (10) Cl.** **26-06**

(52) **U.S. Cl.**
USPC **D26/2**

(58) **Field of Classification Search**
USPC D26/1-4; 313/313, 315, 316, 317, 318,
313/493; 315/52, 53, 56, 57, 58;
D13/180

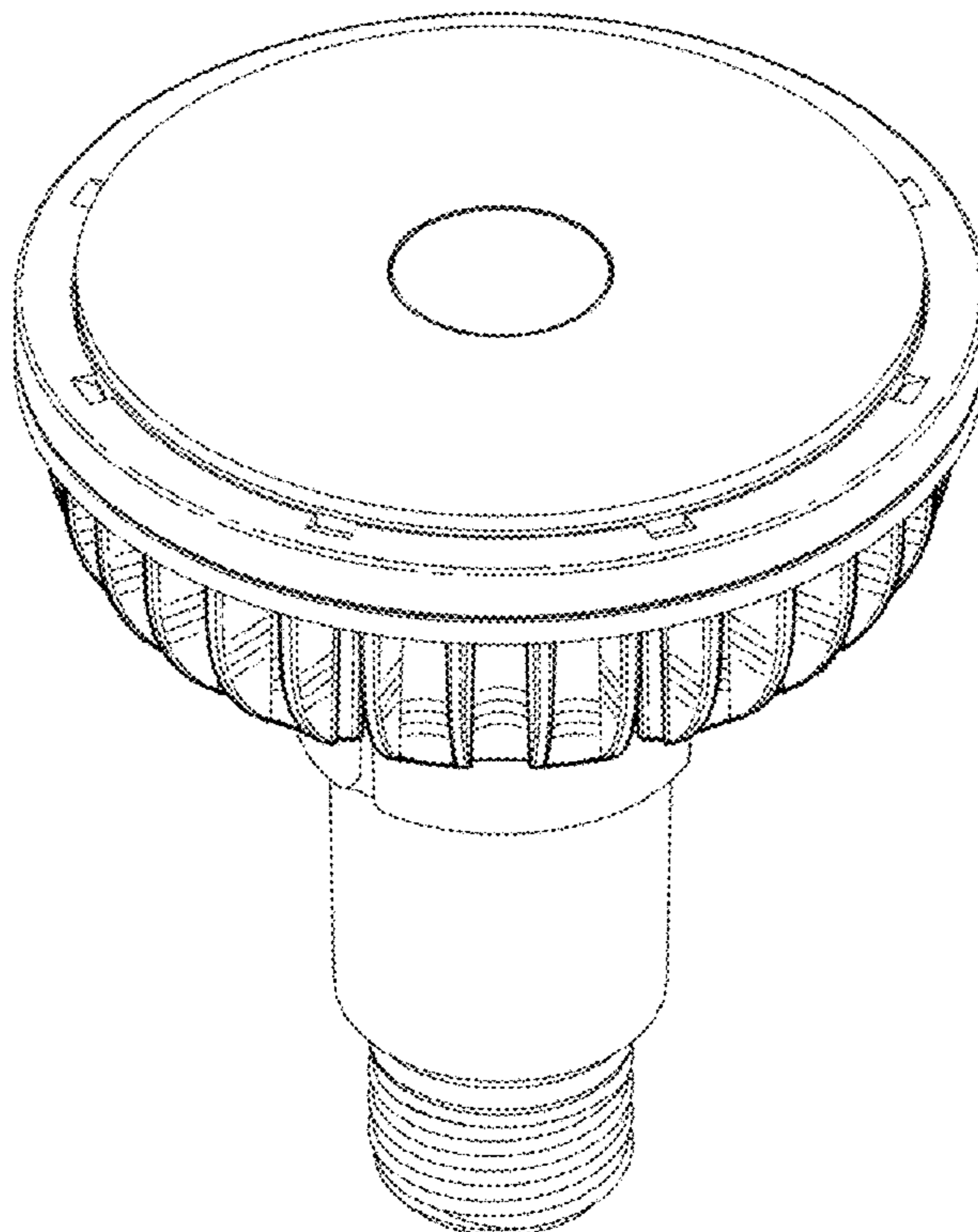
CPC H01R 5/00; H01R 13/46; H01R 31/02; H01J
13/514; H01J 31/048; H01J 5/00; H01J
5/16; H01J 1/02; H01J 15/00

See application file for complete search history.

FIG. 1 is a perspective view of a portion of an LED lamp showing our new design
FIG. 2 is a side elevational view from a front side thereof;
FIG. 3 is a side elevational view from a rear side thereof;
FIG. 4 is a side elevational view from a left side thereof;
FIG. 5 is a side elevational view from a right side thereof;
FIG. 6 is a top plan view thereof; and,
FIG. 7 is a bottom plan view thereof.

The broken lines in the figures represent unclaimed subject matter and form no part of the claimed design.

1 Claim, 7 Drawing Sheets



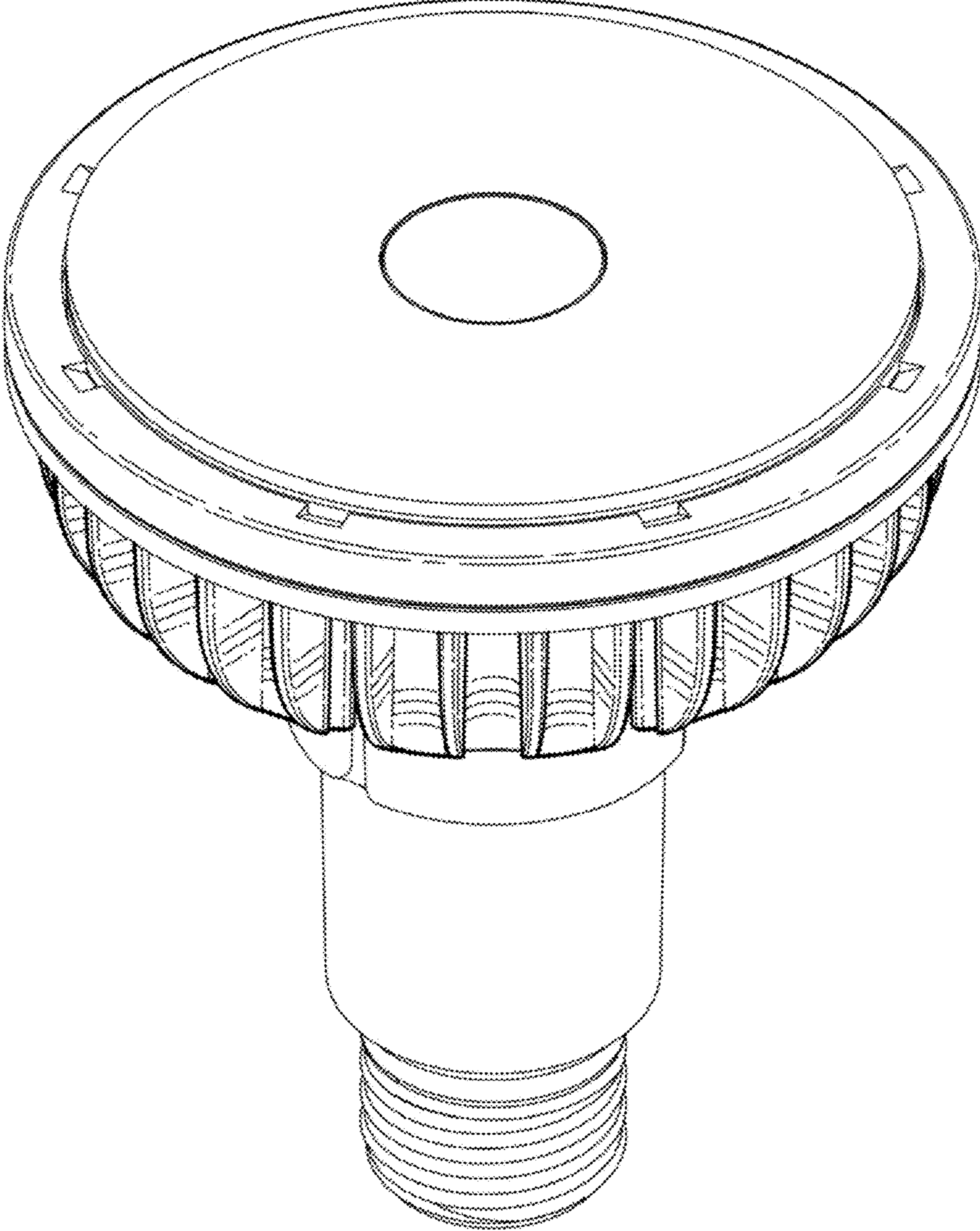


FIG. 1

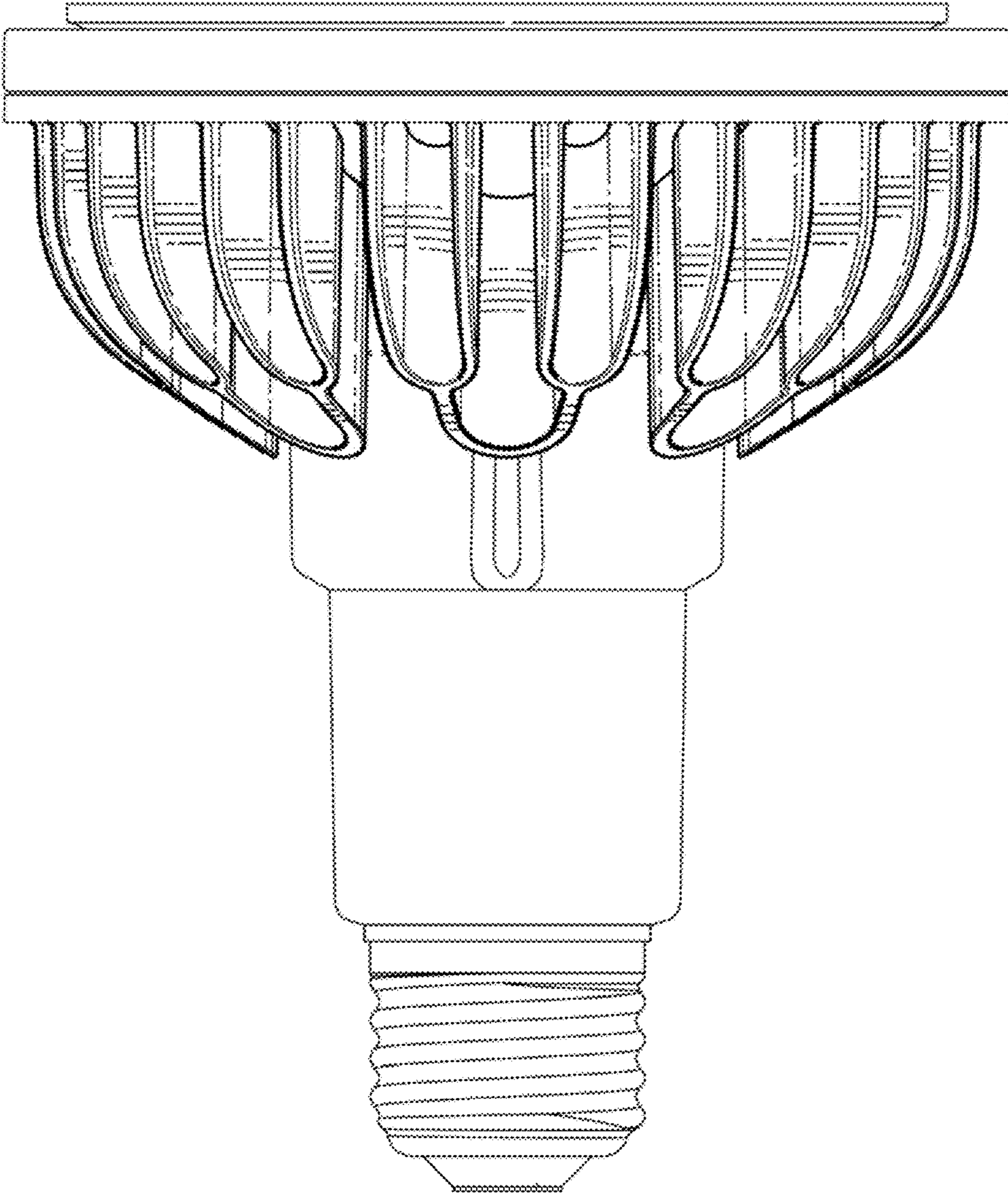


FIG. 2

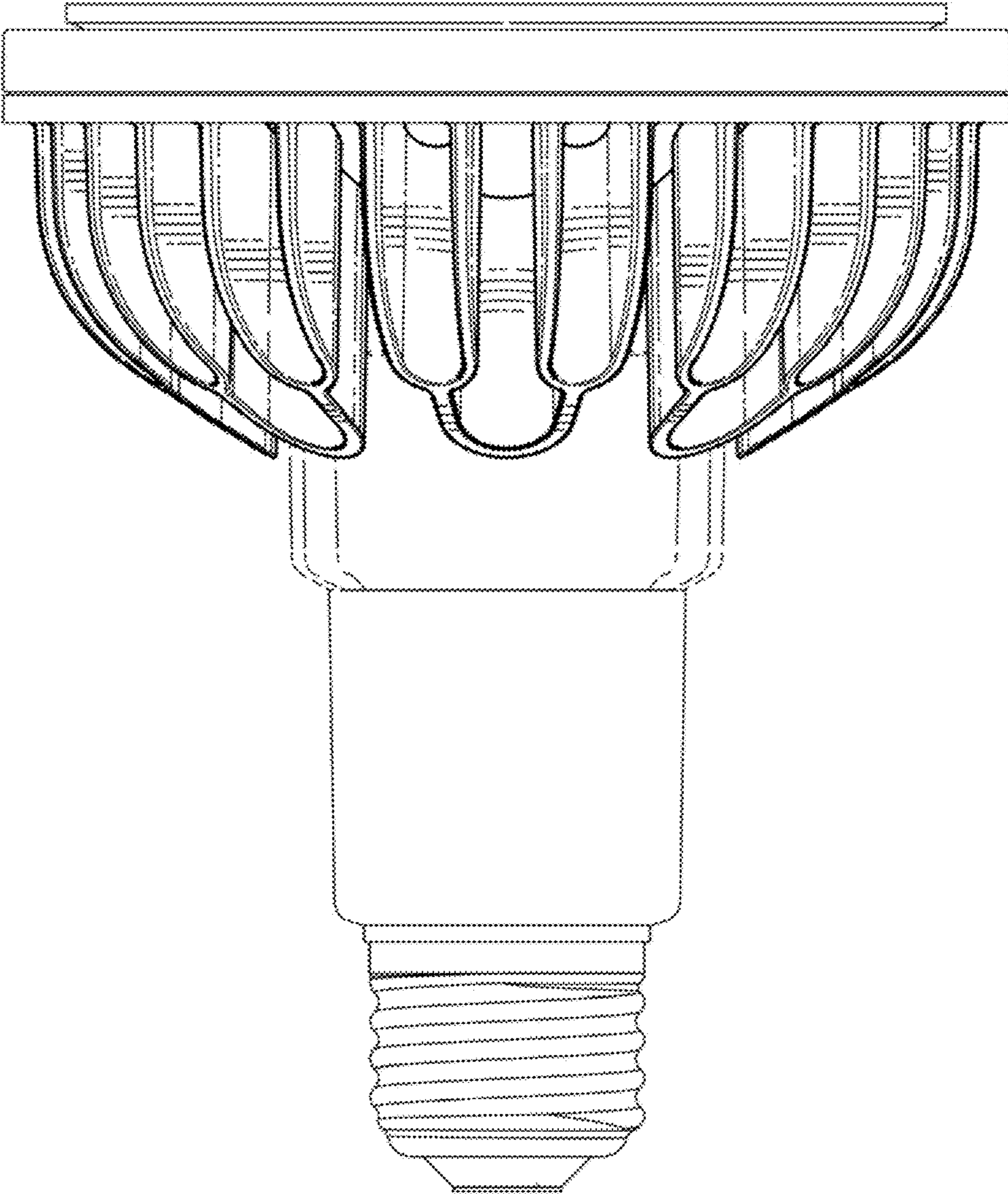


FIG. 3

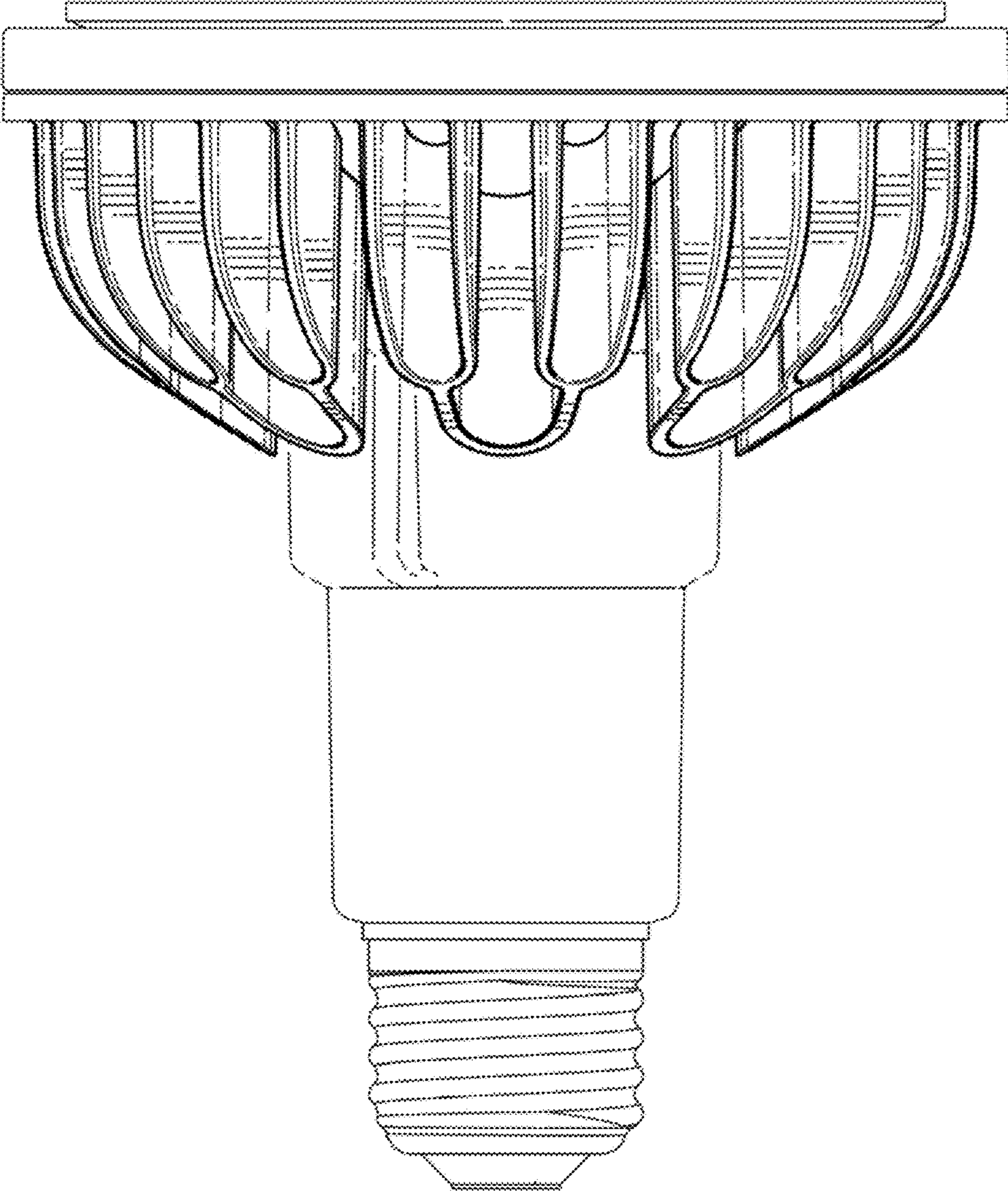


FIG. 4

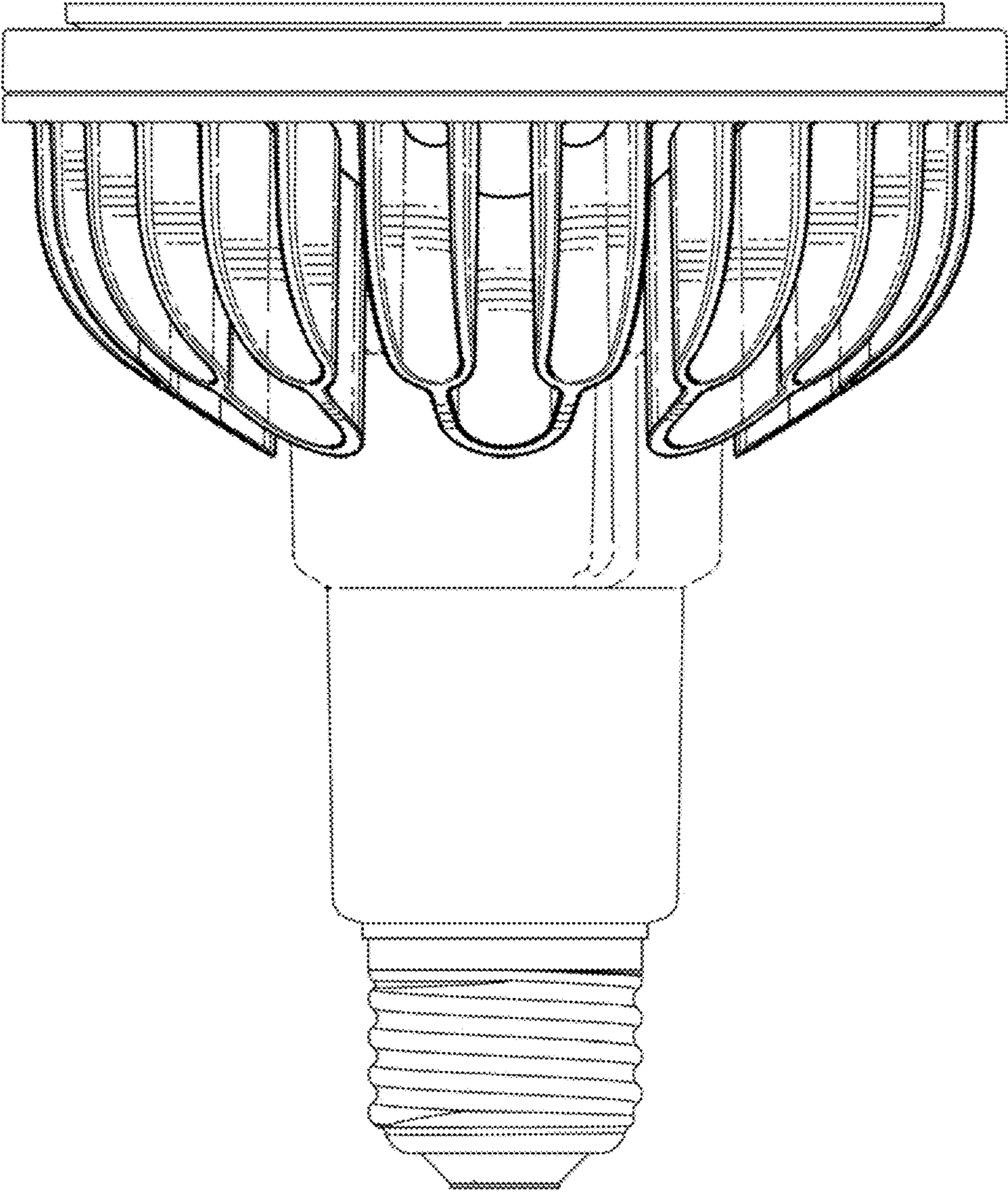


FIG. 5

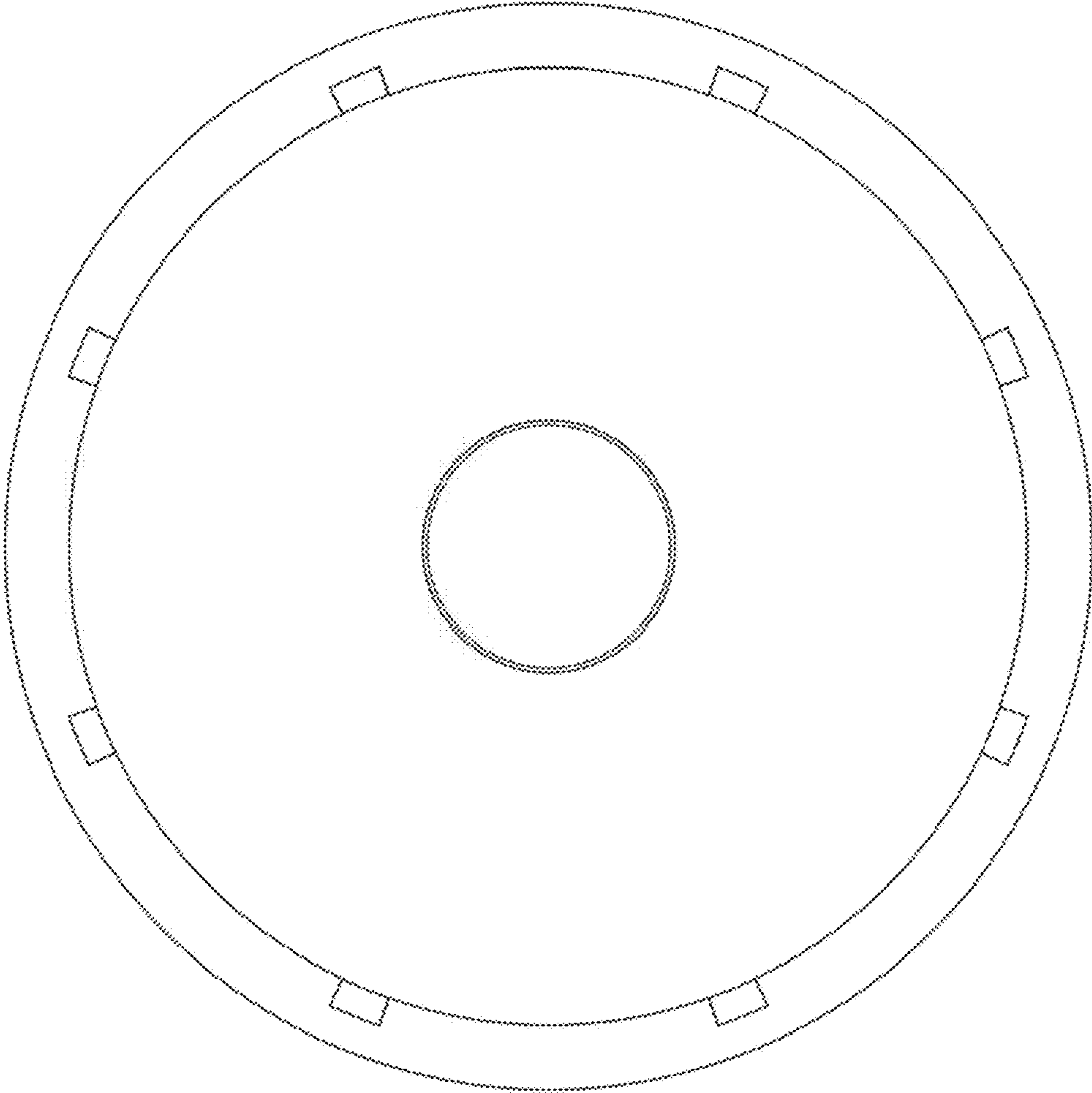


FIG. 6

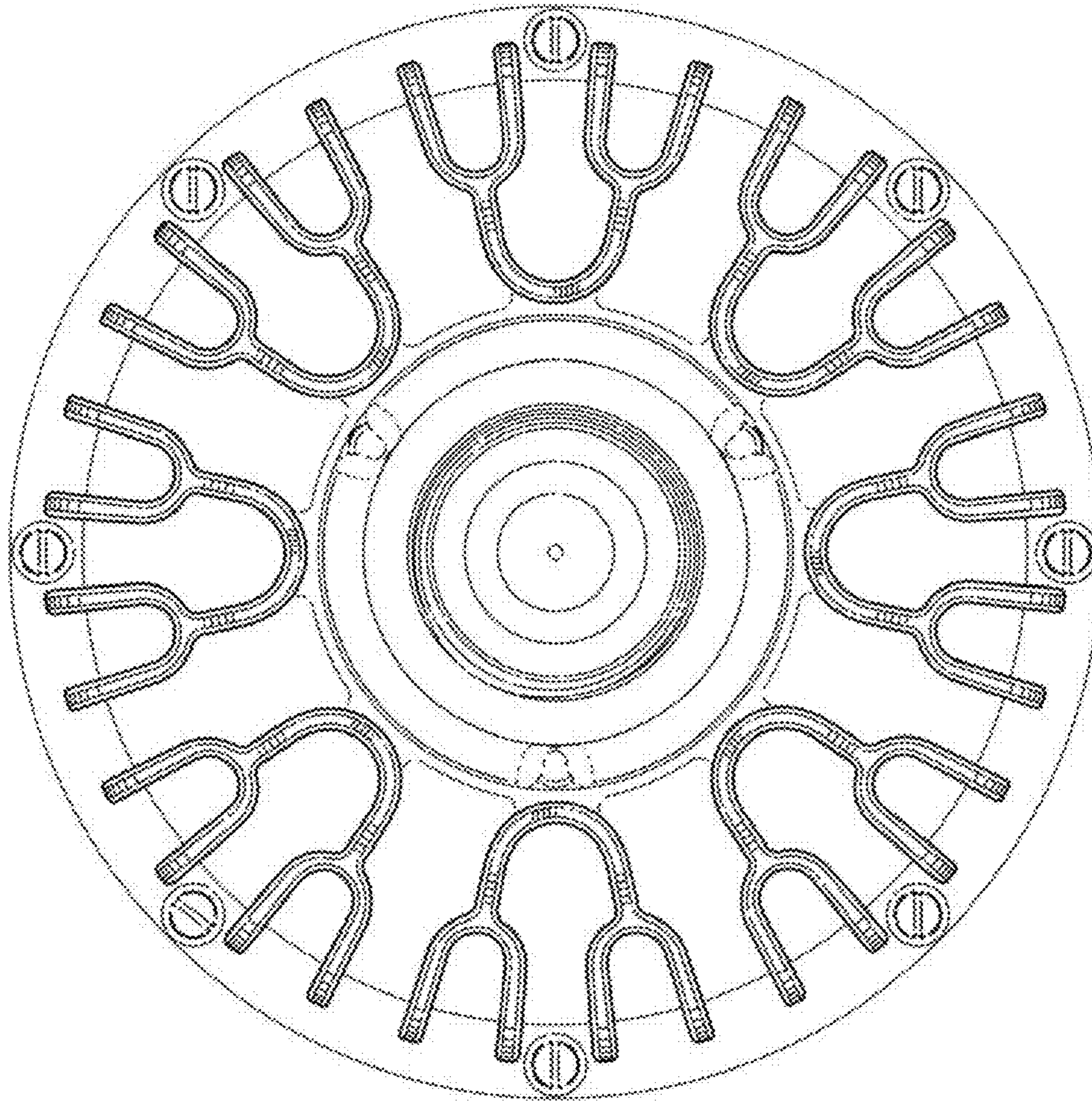


FIG. 7