



US00D780331S

(12) **United States Design Patent**  
**Marshall**

(10) **Patent No.:** **US D780,331 S**  
(45) **Date of Patent:** **\*\* Feb. 28, 2017**

(54) **WINDOW COMPONENT EXTRUSION**

D713,558 S 9/2014 Stankay et al.  
D716,968 S 11/2014 Stankay  
D729,947 S 5/2015 Stankay  
D729,948 S 5/2015 Stankay

(71) Applicant: **Chelsea Building Products, Inc.**,  
Oakmont, PA (US)

\* cited by examiner

(72) Inventor: **Philip Marshall**, Pittsburgh, PA (US)

*Primary Examiner* — Daniel Bui

(73) Assignee: **Chelsea Building Products, Inc.**,  
Oakmont, PA (US)

*Assistant Examiner* — Gino Colan

(74) *Attorney, Agent, or Firm* — Drinker Biddle & Reath  
LLP

(\*\*) Term: **15 Years**

(21) Appl. No.: **29/544,396**

(57) **CLAIM**

The ornamental design for a window component extrusion,  
as shown and described.

(22) Filed: **Nov. 3, 2015**

(51) **LOC (10) Cl.** ..... **25-01**

**DESCRIPTION**

(52) **U.S. Cl.**

USPC ..... **D25/124**

(58) **Field of Classification Search**

USPC ..... D25/119–125, 60; D20/42, 43, 44  
CPC ..... E06B 1/36; E06B 2003/26321; E06B  
3/26345; E06B 1/366; E06B 1/04; E06B  
1/28

See application file for complete search history.

(56) **References Cited**

U.S. PATENT DOCUMENTS

D461,013 S	7/2002	Marshall	
D461,014 S	7/2002	Marshall	
D500,562 S *	1/2005	Kim	D25/124
D511,842 S *	11/2005	Kim	D25/60
D594,138 S *	6/2009	Campbell	D25/124
D693,028 S *	11/2013	Wickland	D25/124
D698,466 S *	1/2014	Wickland	D25/124
D713,555 S	9/2014	Stankay et al.	
D713,556 S	9/2014	Stankay	
D713,557 S	9/2014	Stankay	

FIG. 1 is a perspective view of a window component extrusion according to the present invention.

FIG. 2 is a right side view of the window component extrusion of FIG. 1.

FIG. 3 is a left side view of the window component extrusion of FIG. 1.

FIG. 4 is a front view of the window component extrusion of FIG. 1.

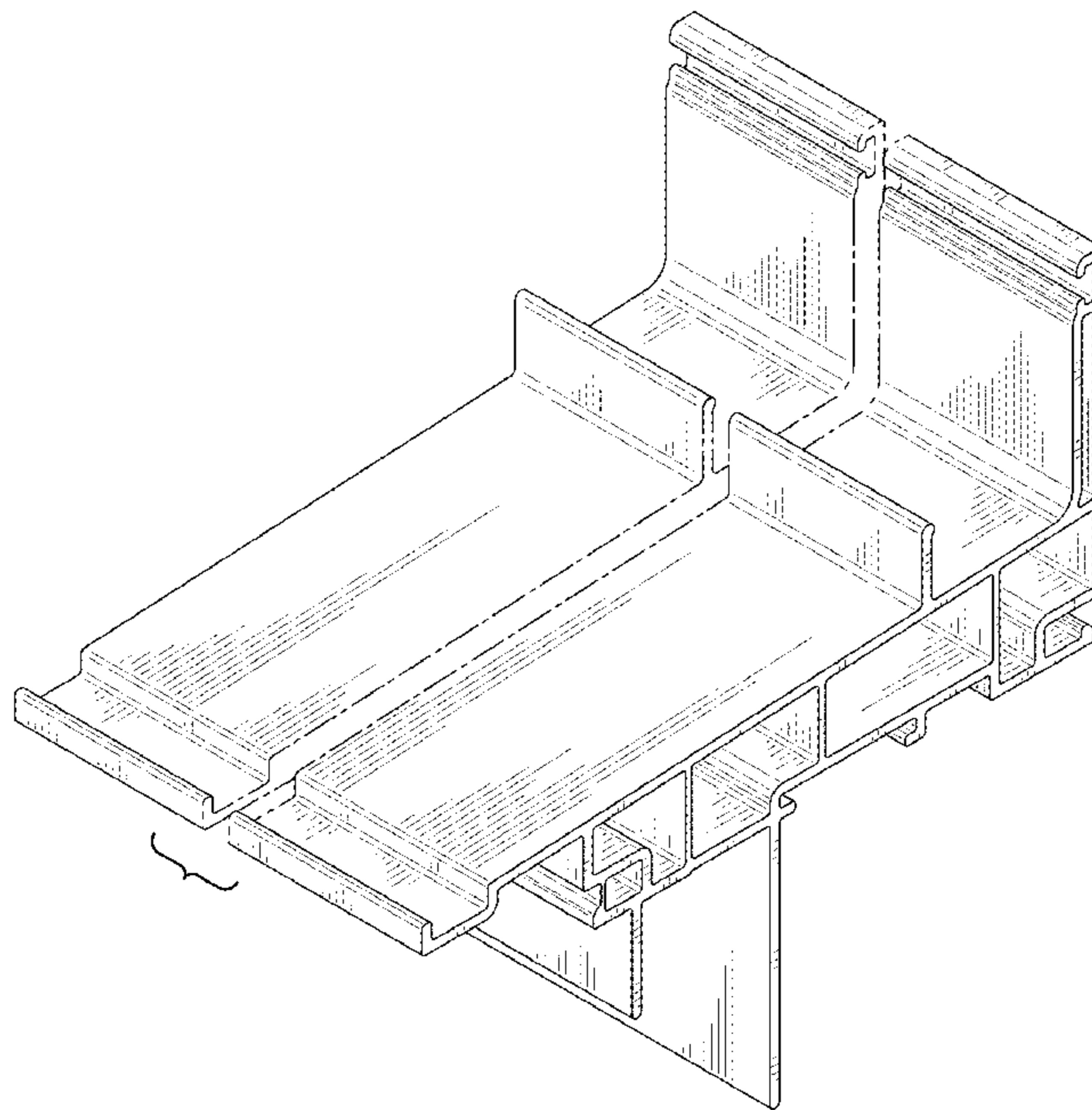
FIG. 5 is a rear view of the window component extrusion of FIG. 1.

FIG. 6 is a top view of the window component extrusion of FIG. 1; and,

FIG. 7 is a bottom view of the window component extrusion of FIG. 1.

The window component extrusion is shown with two parallel dash-dot lines and a bracket to represent indeterminate length. The appearance of any portion of the article between the break lines forms no part of the claimed design.

**1 Claim, 5 Drawing Sheets**



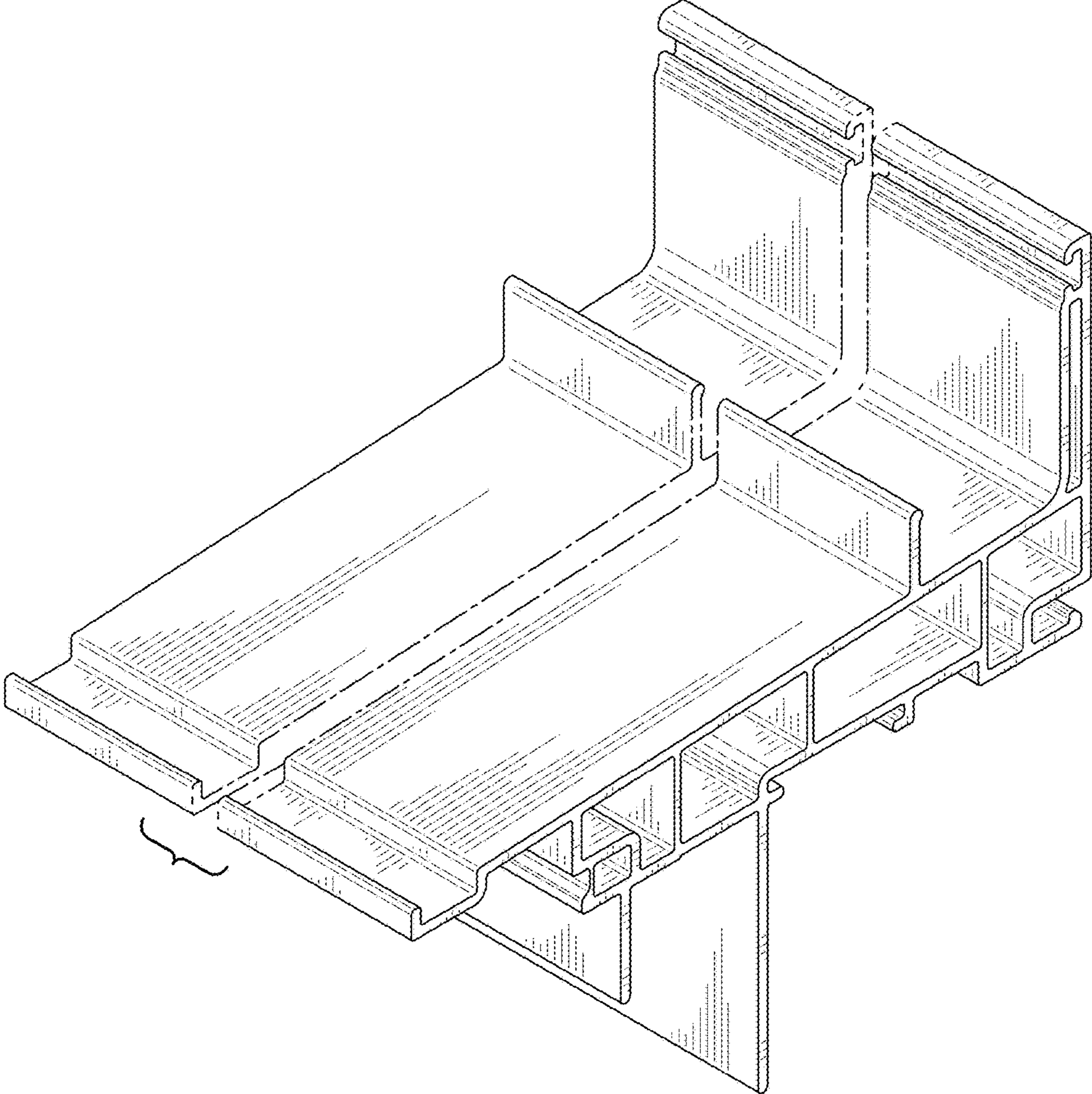


FIG. 1

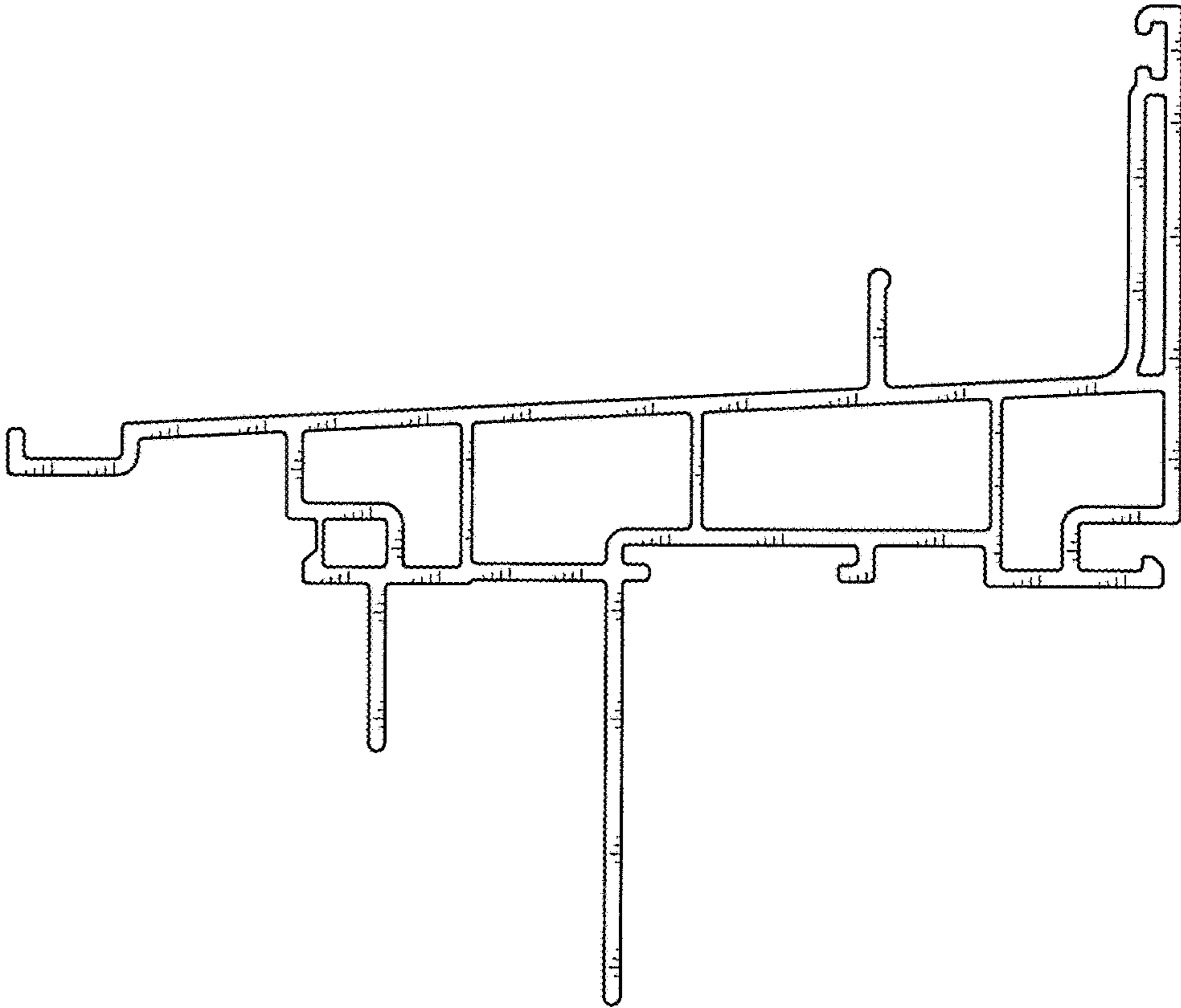


FIG. 2

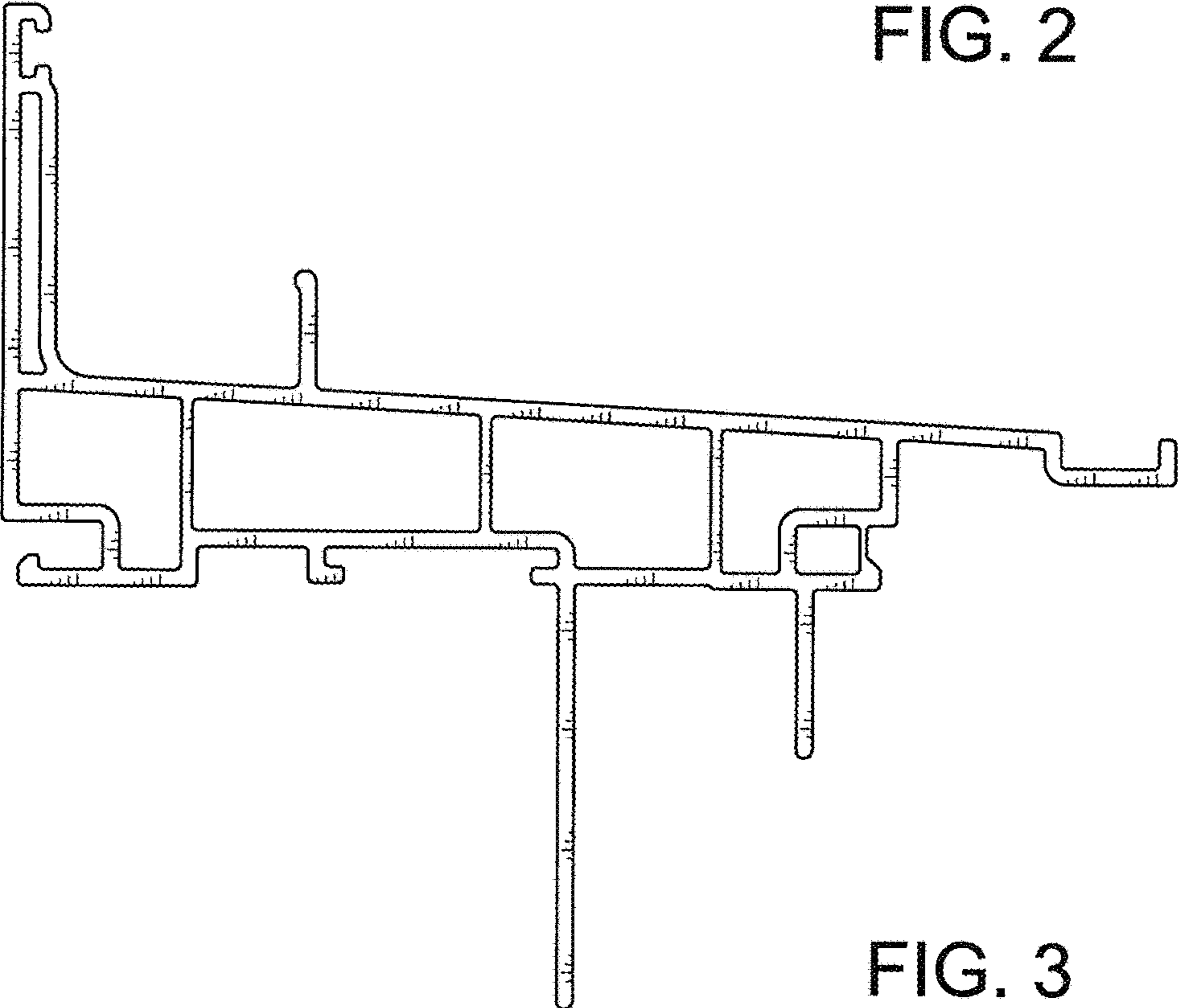


FIG. 3

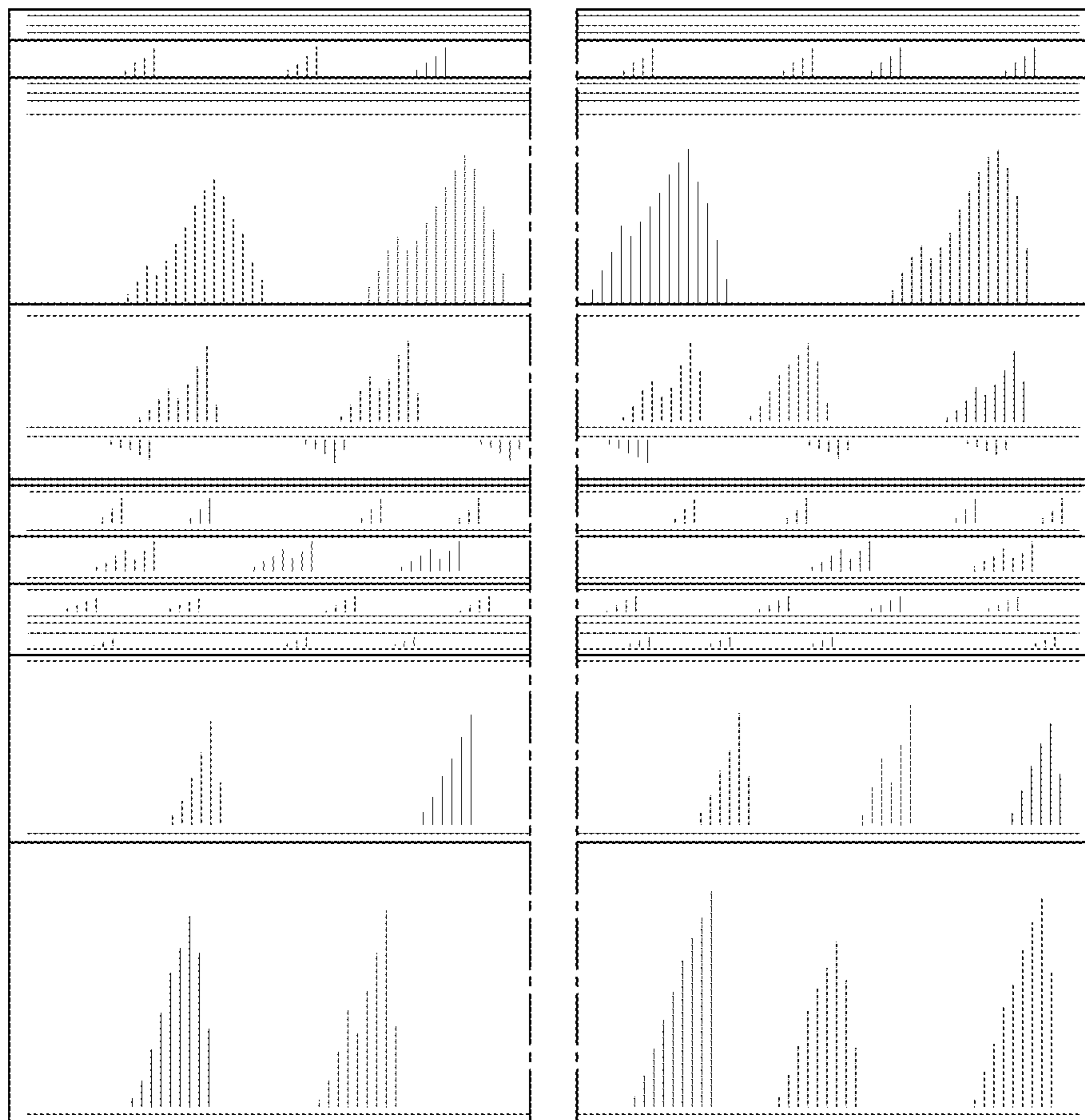


FIG. 4

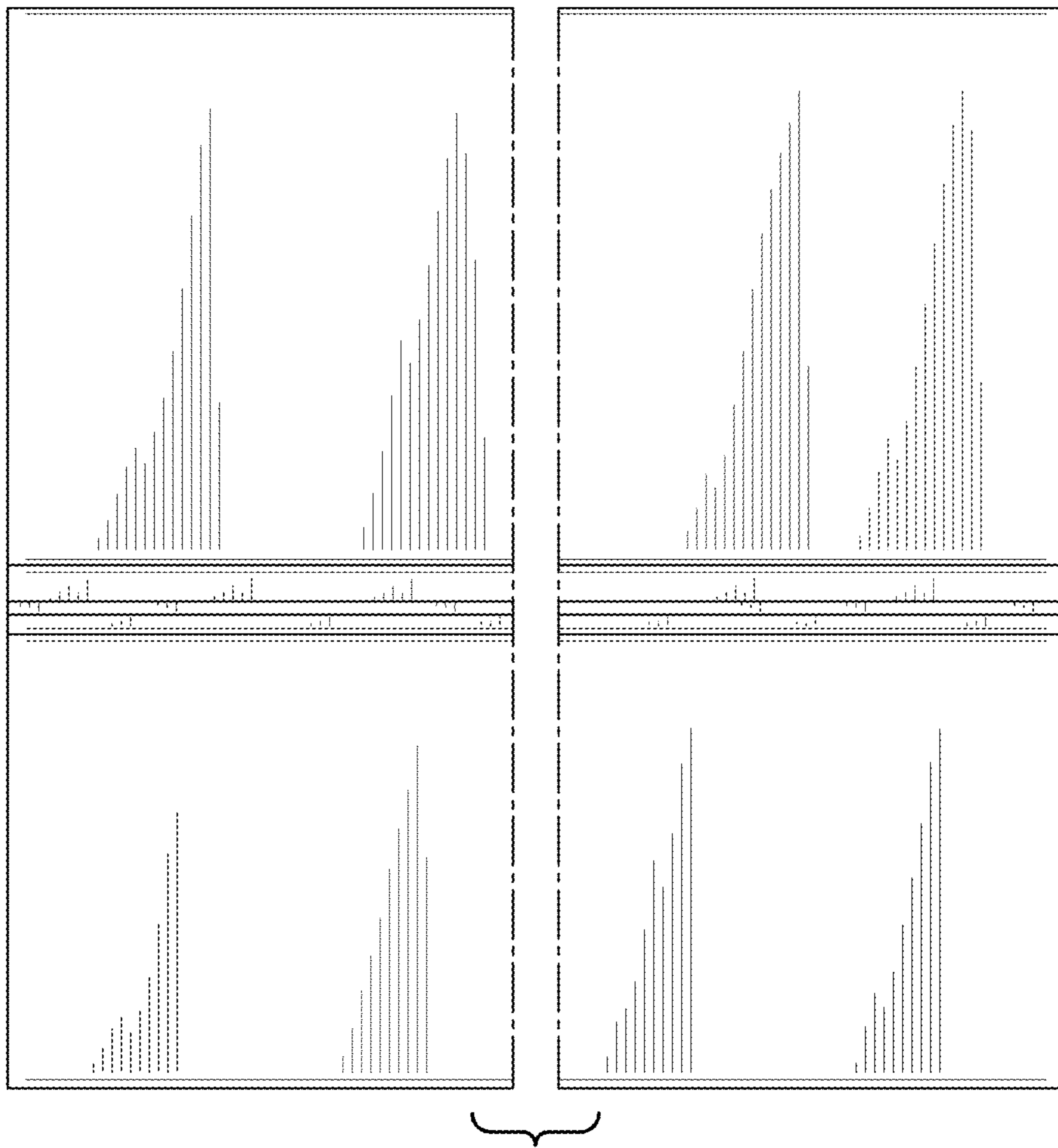


FIG. 5

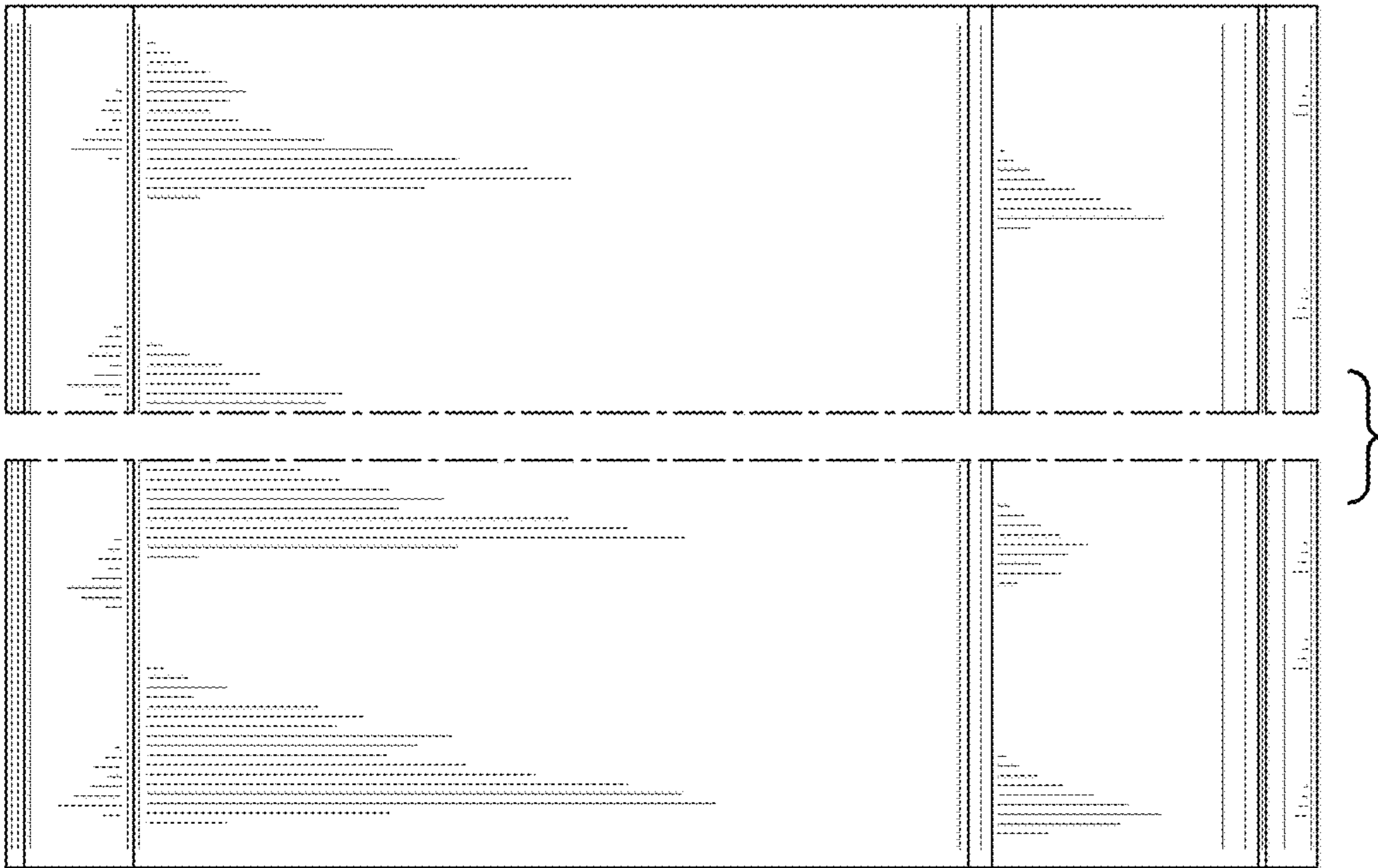


FIG. 6

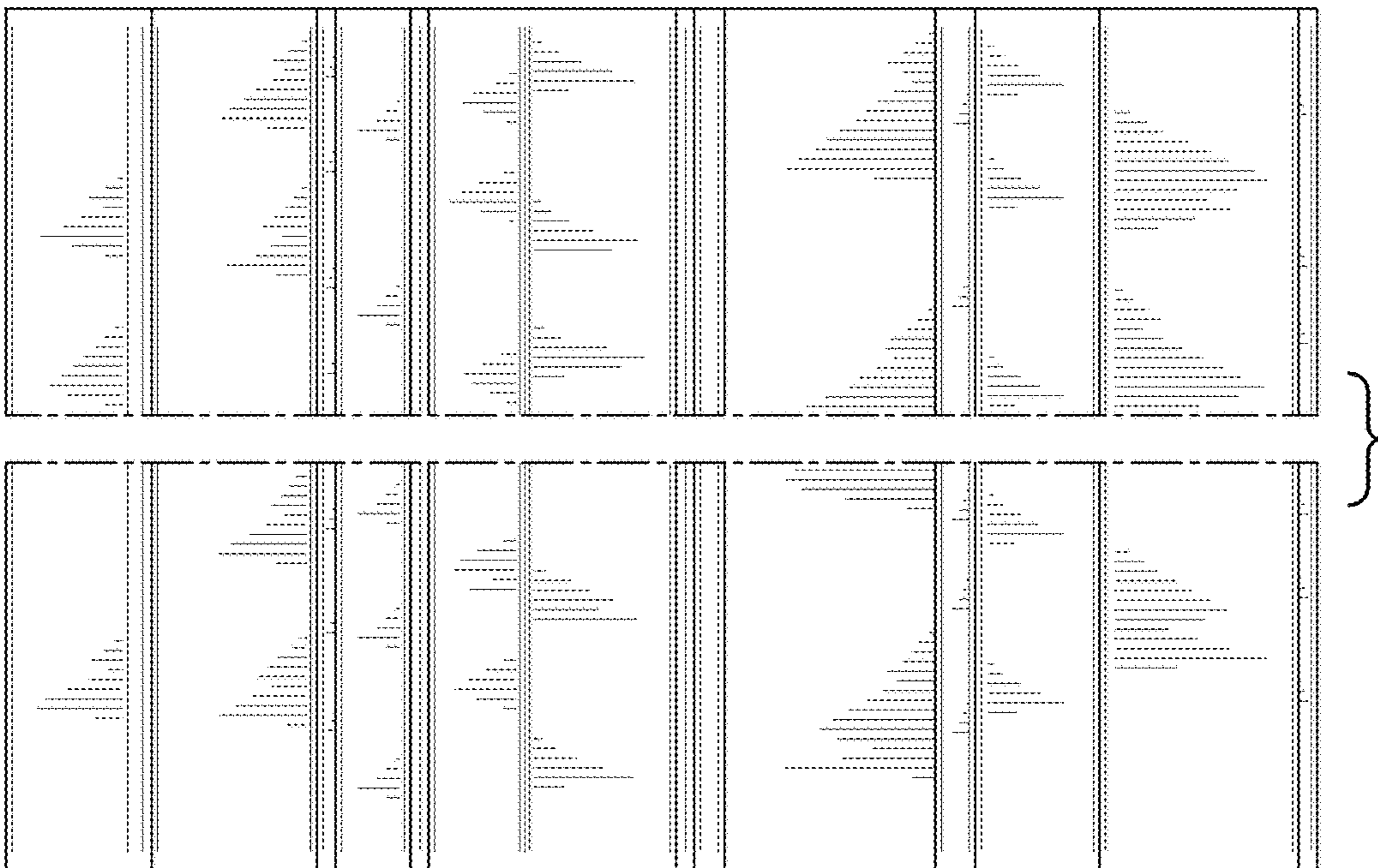


FIG. 7